



US00D846103S

(12) **United States Design Patent** (10) **Patent No.:** **US D846,103 S**
Dent et al. (45) **Date of Patent:** **** Apr. 16, 2019**

(54) **REGULATOR FOR A HEATING INSTALLATION**

(71) Applicant: **STEGO-Holding GmbH**, Schwaebisch Hall (DE)

(72) Inventors: **Robert Dent**, Schwaebisch Hall (DE); **Elmar Mangold**, Unterschneidheim (DE); **Dietmar Guilliard**, Mainhardt-Gailsbach (DE)

(73) Assignee: **STEGO-HOLDING GMBH**, Schwaebisch Hall (DE)

(**) Term: **15 Years**

(21) Appl. No.: **29/584,089**

(22) Filed: **Nov. 11, 2016**

(30) **Foreign Application Priority Data**

May 12, 2016 (EM) 003124304

(51) **LOC (11) Cl.** **23-03**

(52) **U.S. Cl.**
USPC **D23/342**

(58) **Field of Classification Search**
USPC D23/233, 235, 237, 241, 242, 245, 247,
D23/248, 249, 342, 314; D13/162, 162.1;
D10/49, 50; 137/46, 495

(Continued)

(56) **References Cited**

U.S. PATENT DOCUMENTS

D193,618 S * 9/1962 Reed D10/50
D225,453 S * 12/1972 Hill D10/50

(Continued)

FOREIGN PATENT DOCUMENTS

DE 2359274 A1 6/1975
DE 2359274 C3 10/1978

(Continued)

OTHER PUBLICATIONS

Partial International Search Report from PCT/EP2017/061182, dated Sep. 28, 2017.

(Continued)

Primary Examiner — Cynthia Ramirez

Assistant Examiner — Gino Colan

(74) *Attorney, Agent, or Firm* — Westman, Champlin & Koehler, P.A.

(57) **CLAIM**

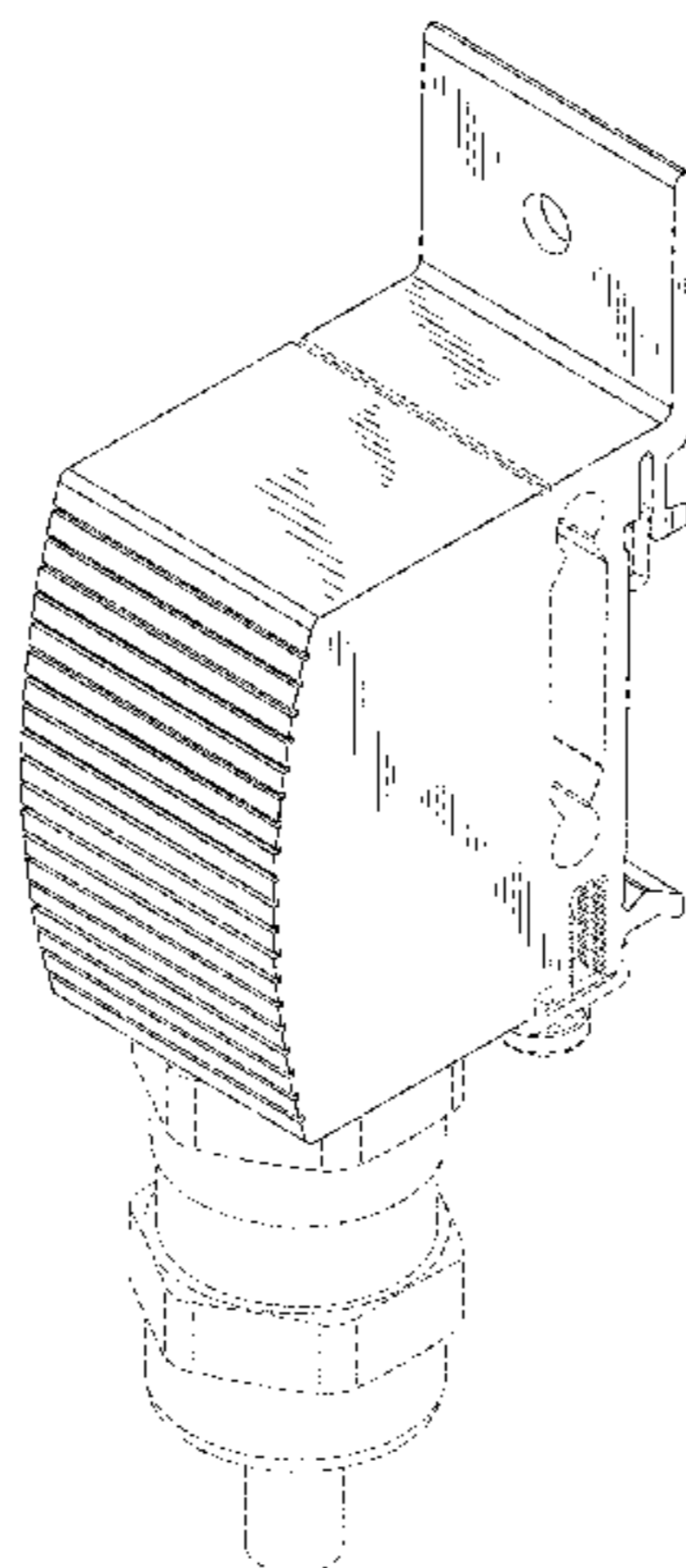
The ornamental design for a regulator for a heating installation, as shown and described.

DESCRIPTION

FIG. 1 is a perspective view of a regulator for a heating installation showing our new design, in condition of use; FIG. 2 is a top plan view thereof; FIG. 3 is a bottom plan view thereof; FIG. 4 is a right side elevation view thereof; FIG. 5 is a left side elevation view thereof; FIG. 6 is a front elevational view thereof; FIG. 7 is a rear elevational view thereof; FIG. 8 is another perspective view of the regulator for a heating installation; FIG. 9 is a top plan view thereof; FIG. 10 is a bottom plan view thereof; FIG. 11 is a right side elevation view thereof; FIG. 12 is a left side elevation view thereof; FIG. 13 is a front elevational view thereof; and, FIG. 14 is a rear elevational view thereof.

The broken lines adjacent to the shaded areas are shown for the purpose of illustrating portions of the regulator for a heating installation and form no part of the claimed design. The other elements shown in broken lines in FIGS. 1 through 7 are shown for the purpose of illustrating environment and form no part of the claimed design.

1 Claim, 14 Drawing Sheets



(58) Field of Classification Search

CPC G05D 23/275; G05D 23/024; G05D
23/1904; G05D 23/30; F24F 11/30

See application file for complete search history.

(56) References Cited

U.S. PATENT DOCUMENTS

4,479,107 A 10/1984 Bleeke
D365,029 S * 12/1995 Gaskell D10/50
5,810,618 A 9/1998 Barbier et al.
D664,633 S * 7/2012 Mangold D23/314
D804,624 S * 12/2017 Dent D23/342
D805,618 S * 12/2017 Dent D23/342
2008/0299820 A1 12/2008 Schelonka et al.
2013/0328659 A1 12/2013 Hall et al.
2015/0346045 A1 12/2015 Habibi

FOREIGN PATENT DOCUMENTS

DE	10 2010 032 022	1/2012
DE	10 2013 223 216	5/2015
DE	20 2015 007 851	1/2016
DE	10 2016 015 726	11/2017
DE	10 2016 108 840	11/2017
EP	2 650 898	10/2013
WO	WO 03/002865	1/2003
WO	WO 2008/028629	3/2008
WO	WO 2017/194606	11/2017

OTHER PUBLICATIONS

Page from brochure, Ex-Thermostat Serie REx 0118, Stego, 1999.
International Search Report and Written Opinion from PCT/EP2017/
061182, dated Dec. 11, 2017.
Office Action from German Patent Application No. 10 2016 108
840.4, dated Apr. 28, 2017, 6 pages.

* cited by examiner

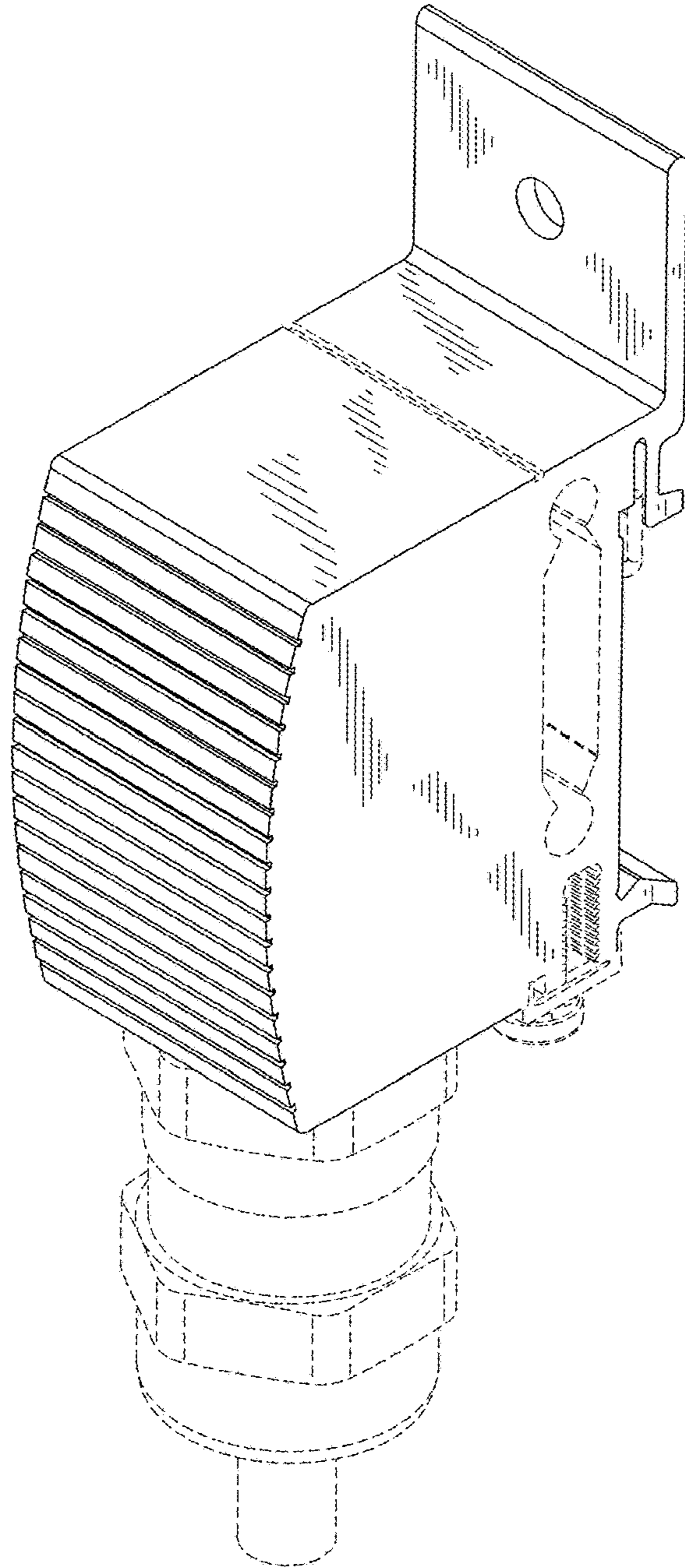


Fig. 1

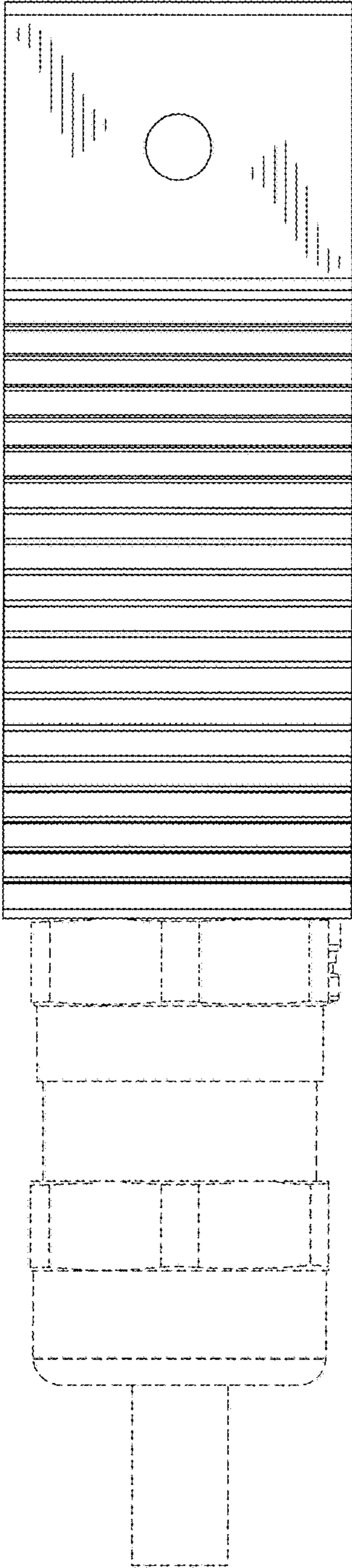


Fig. 2

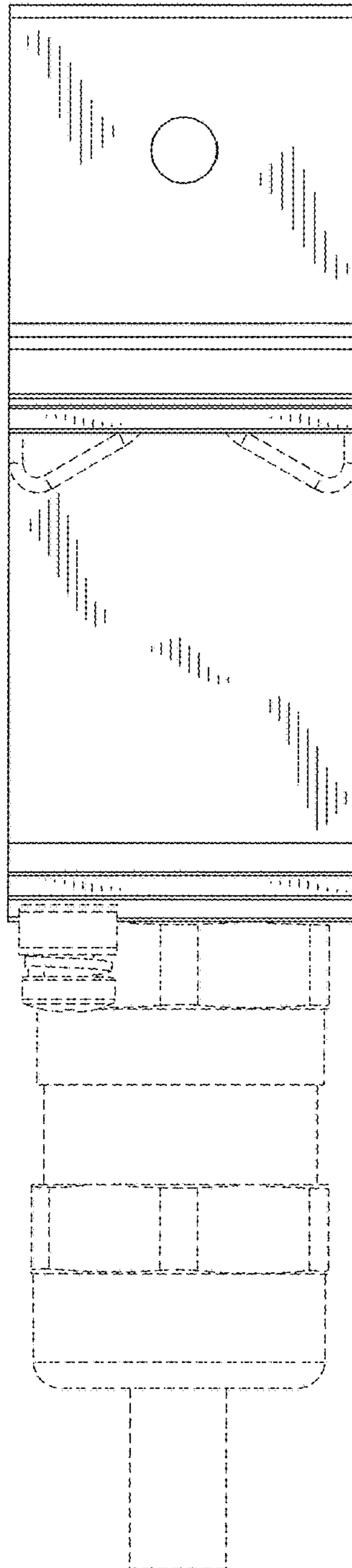


Fig. 3

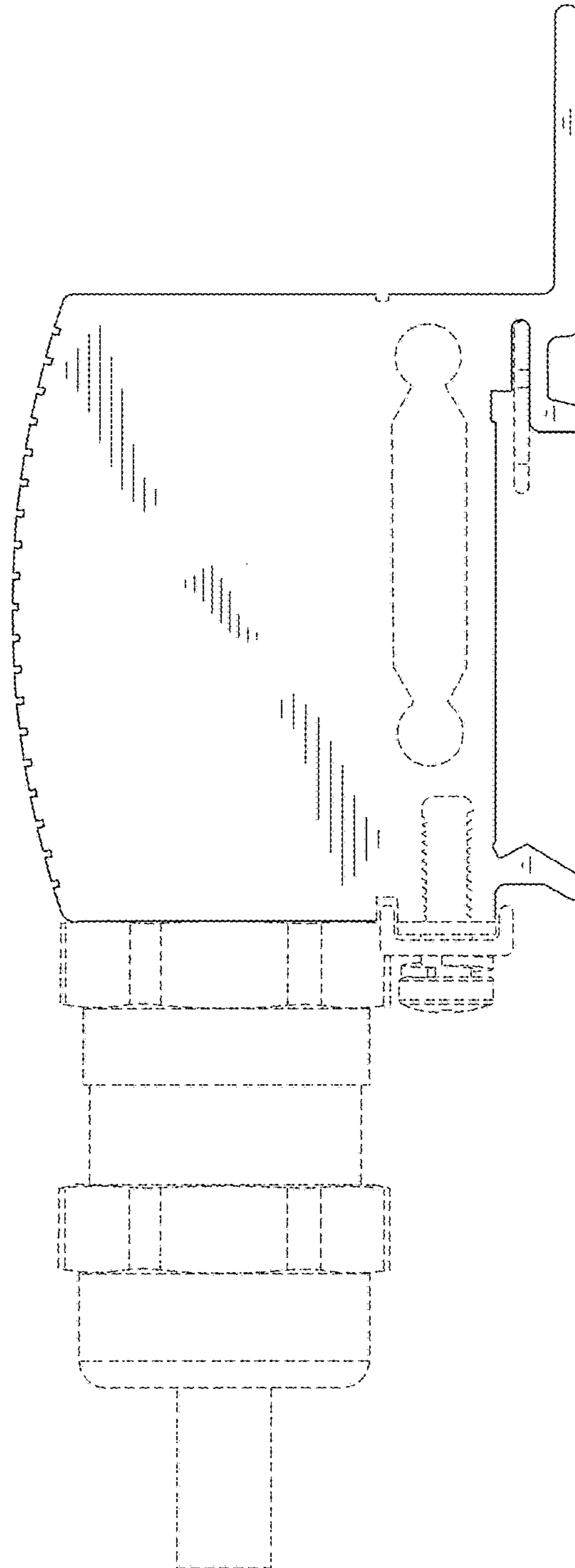


Fig. 4

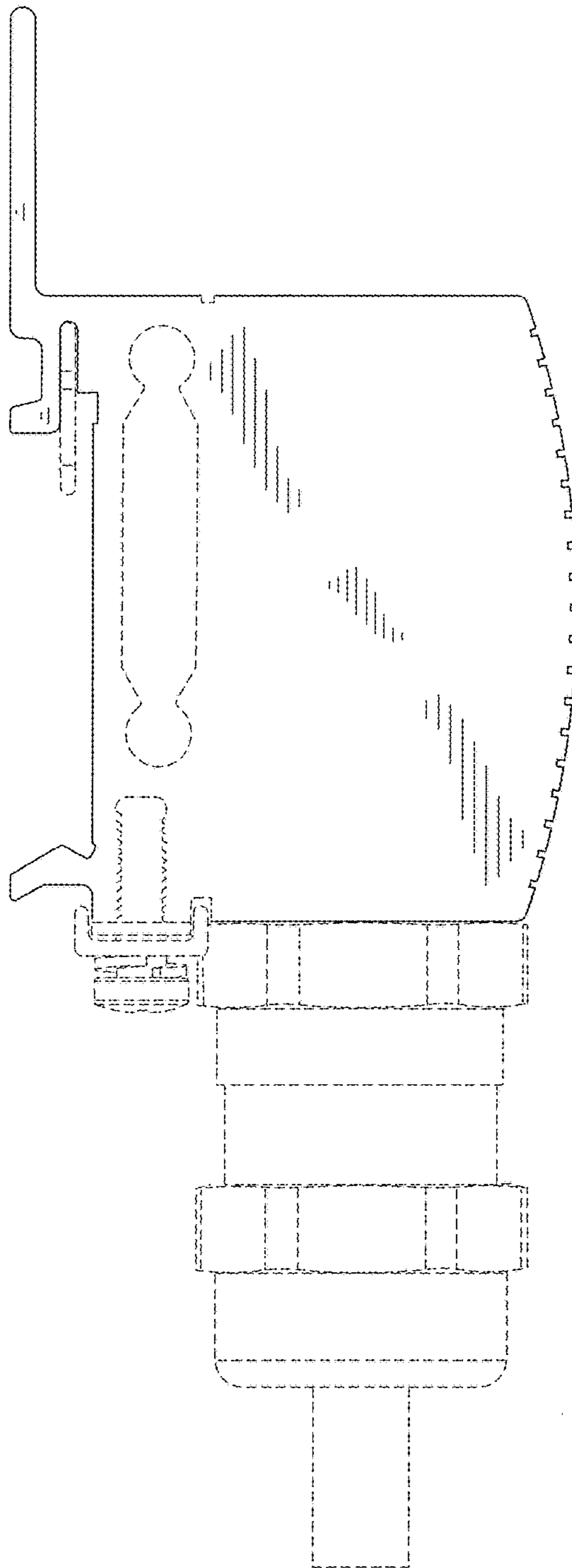


Fig. 5

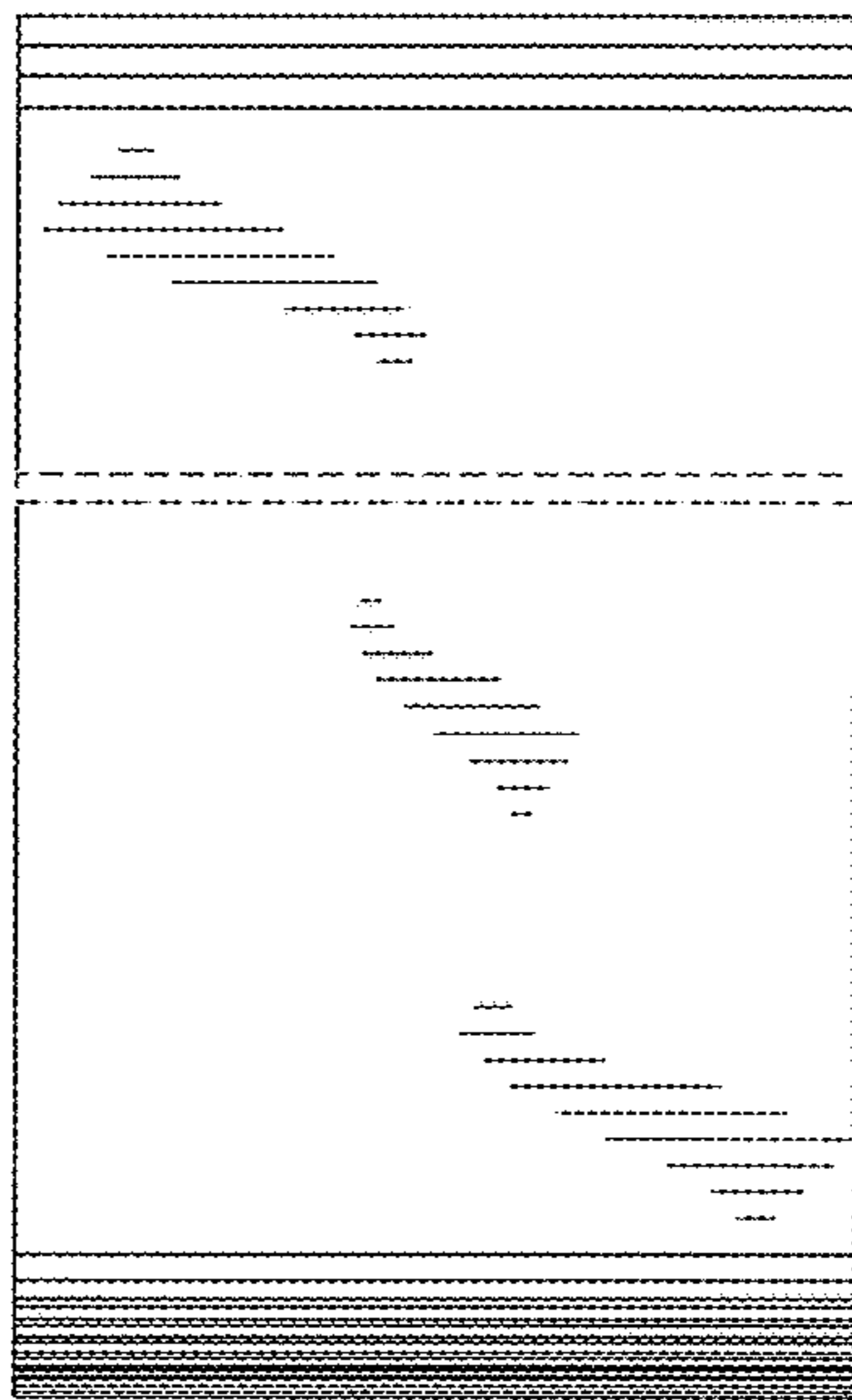


Fig. 6

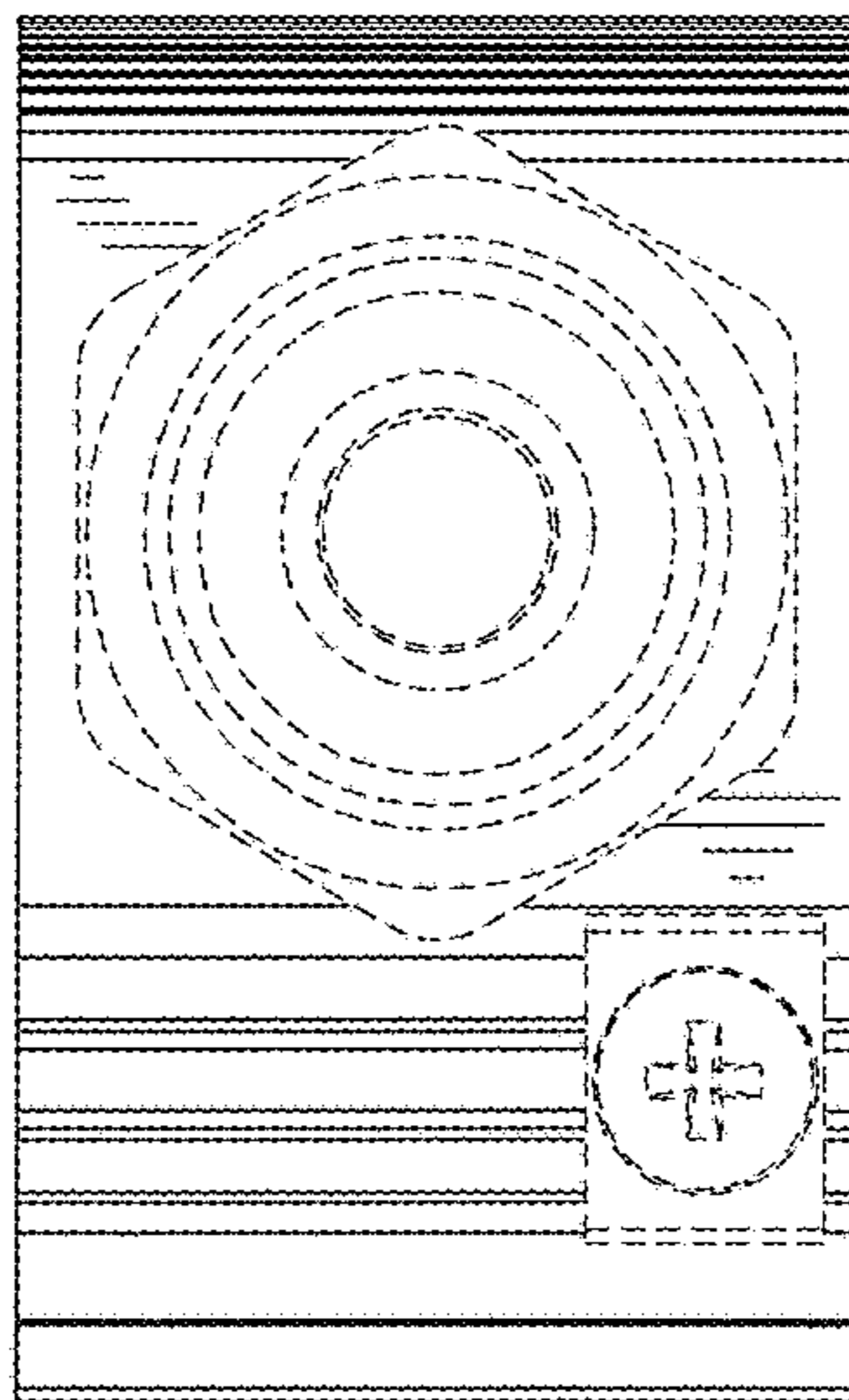


Fig. 7

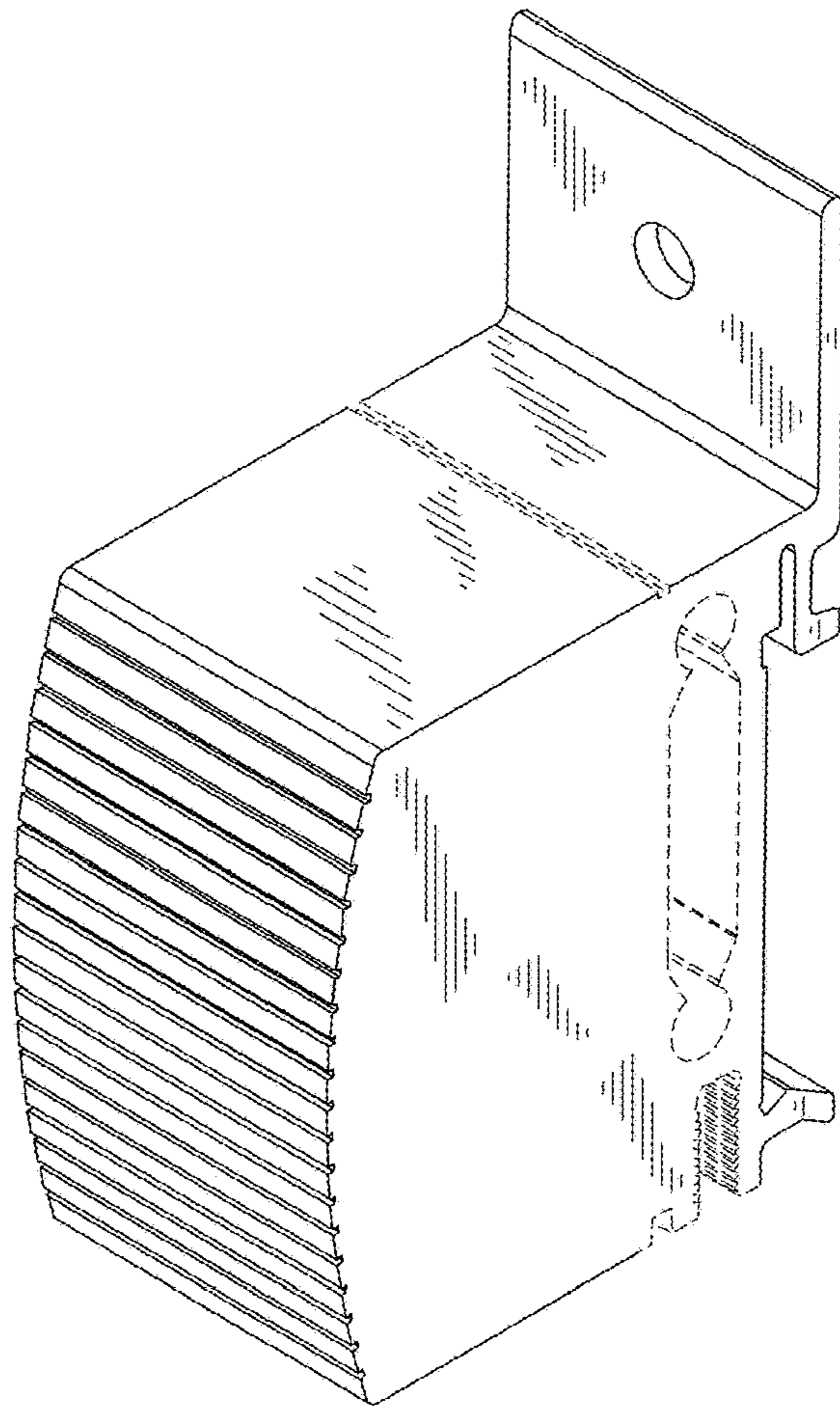


Fig. 8

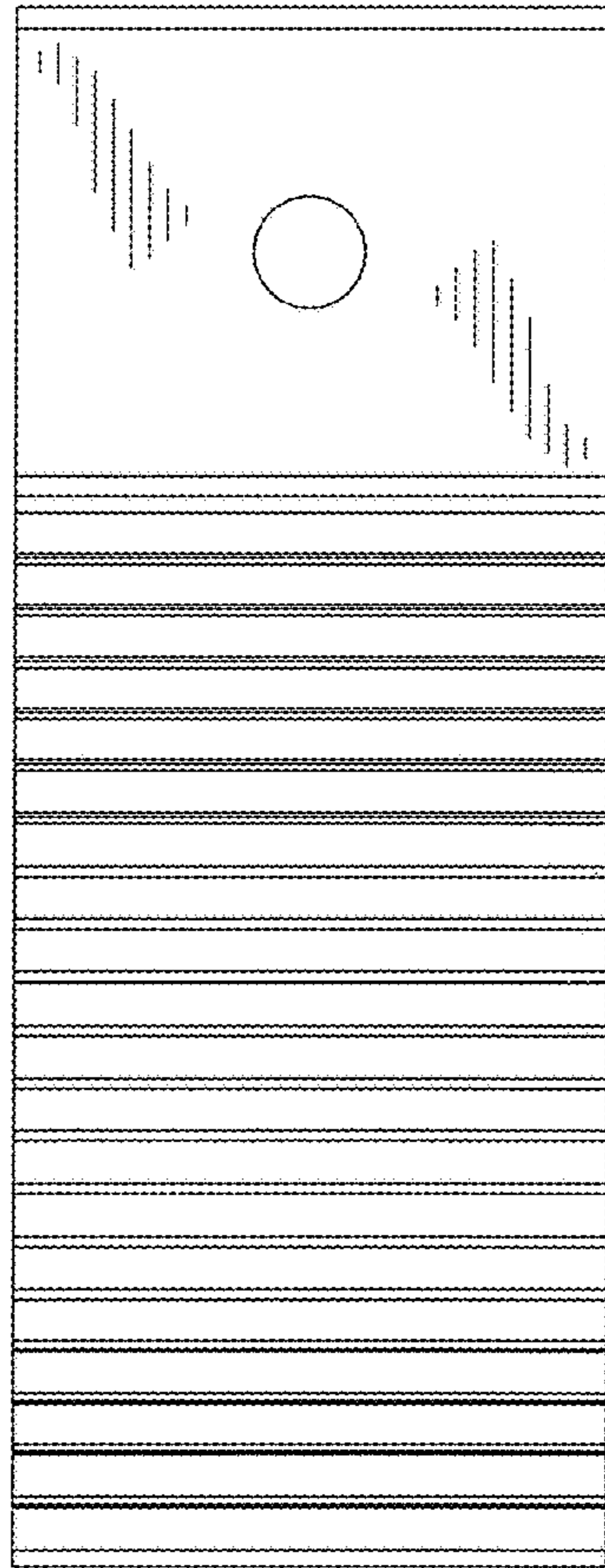


Fig. 9

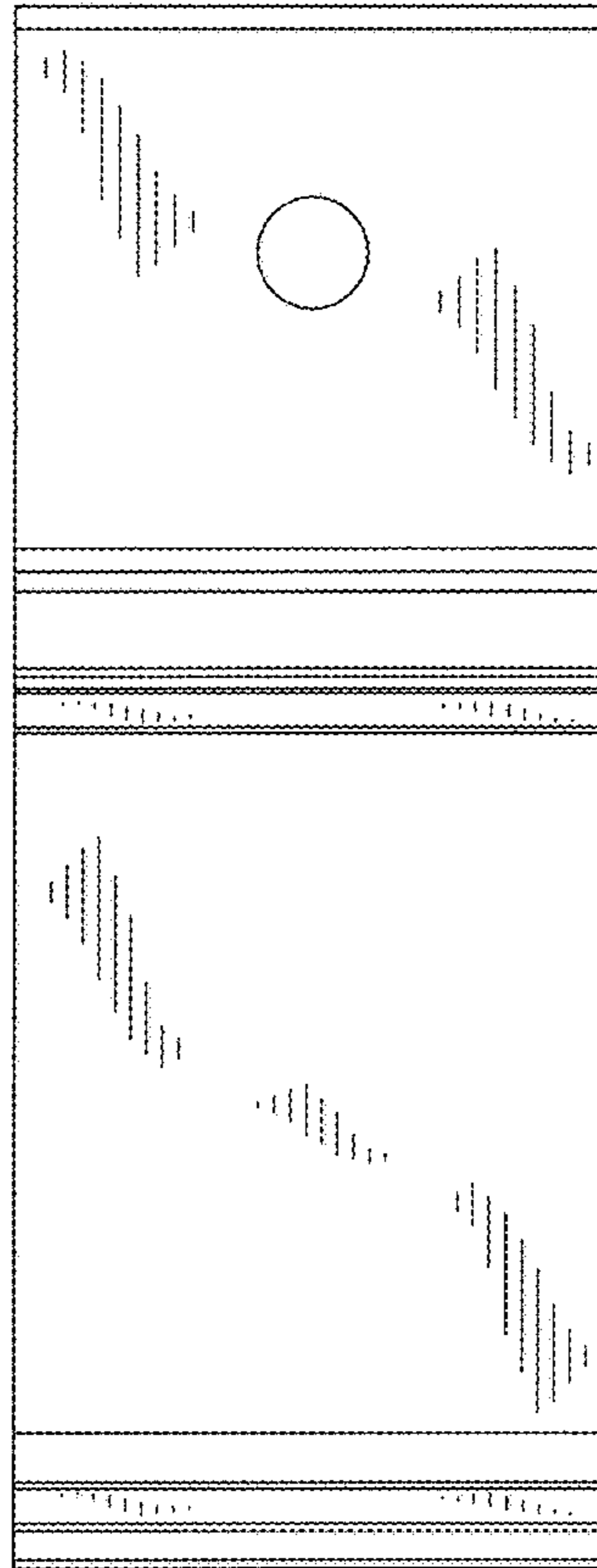


Fig. 10

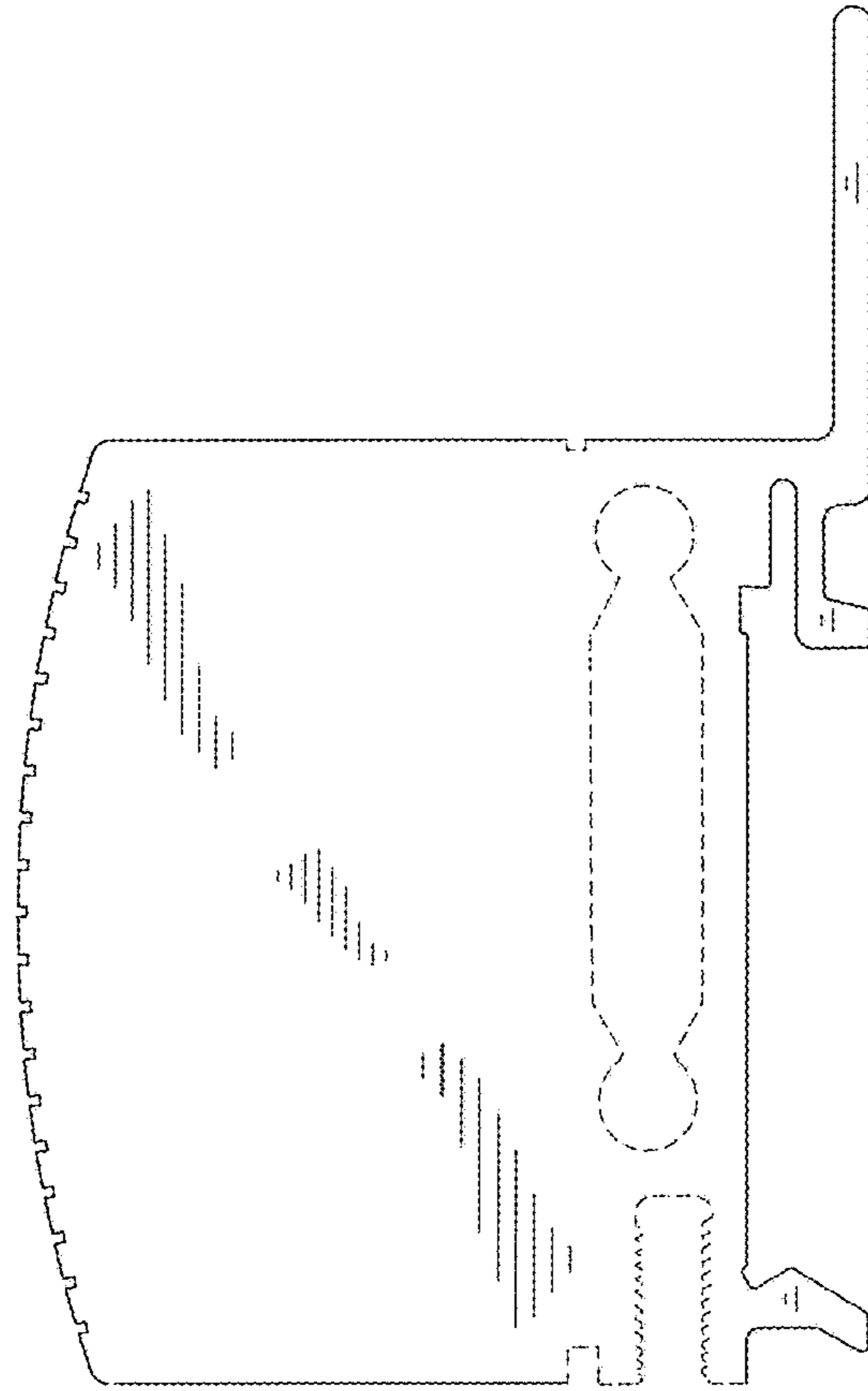


Fig. 11

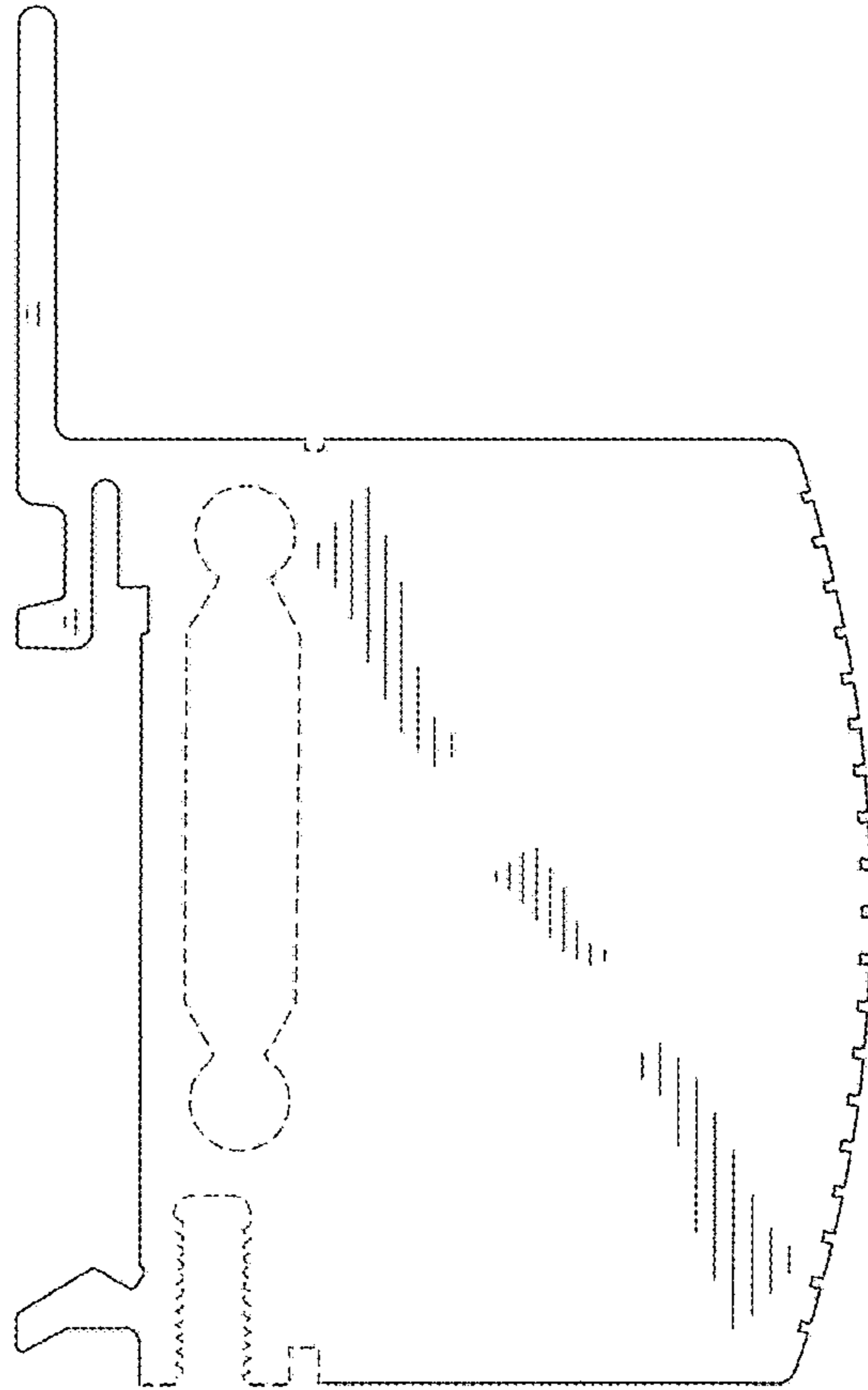


Fig. 12

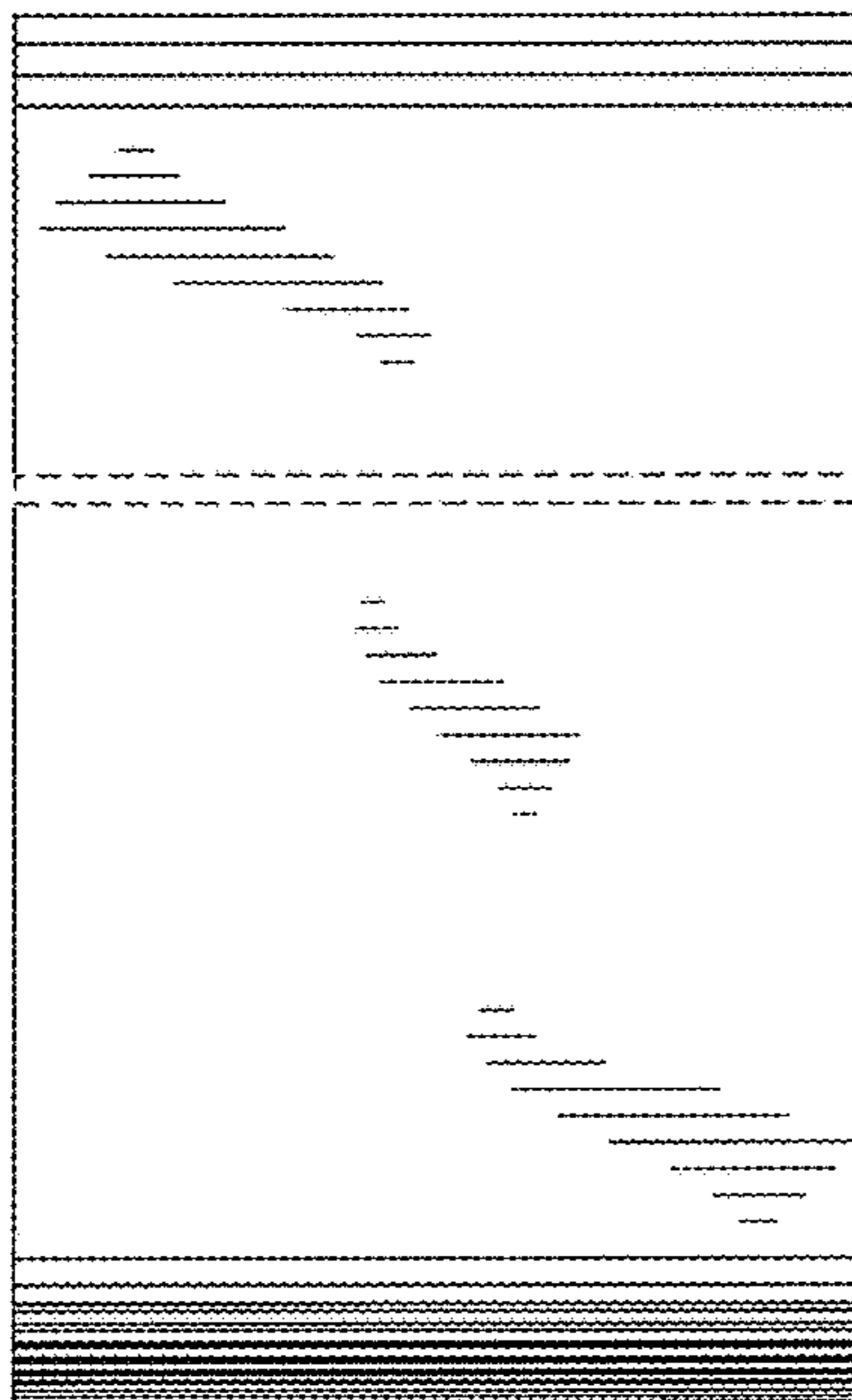


Fig. 13

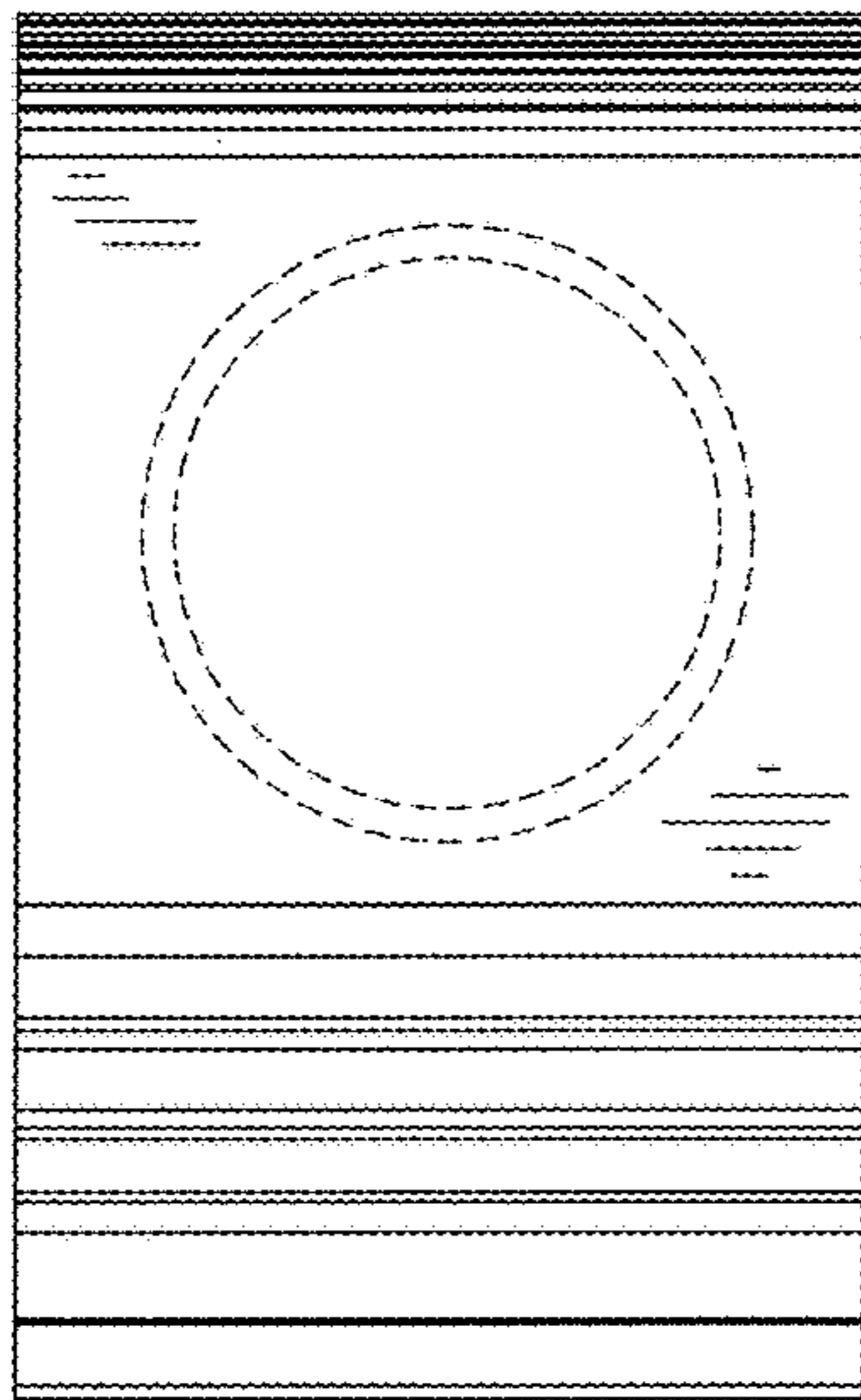


Fig. 14