

US00D846102S

(12) **United States Design Patent**
Pellerin et al.

(10) **Patent No.:** **US D846,102 S**

(45) **Date of Patent:** **** Apr. 16, 2019**

(54) **HEATER**
(71) Applicant: **Stelpro Design Inc.**, Québec (CA)
(72) Inventors: **Daniel Pellerin**, Québec (CA); **Quentin Hayon**, Québec (CA); **Etienne Guay**, Québec (CA)

D594,948 S * 6/2009 Lewis D23/314
D616,081 S * 5/2010 Chiu D23/333
D657,032 S * 4/2012 Chouji D23/351
D657,033 S * 4/2012 Chouji D23/351
D702,335 S * 4/2014 Saitou D23/351
D706,916 S * 6/2014 Penlesky D23/370
D748,238 S * 1/2016 Mecker D23/366
D804,003 S * 11/2017 Zhao D23/364

(73) Assignee: **Stelpro Design Inc.**, Québec (CA)

* cited by examiner

(**) Term: **15 Years**

Primary Examiner — T Chase Nelson

Assistant Examiner — Ania Aman

(21) Appl. No.: **29/613,065**

(74) *Attorney, Agent, or Firm* — Servilla Whitney LLC

(22) Filed: **Aug. 7, 2017**

(51) **LOC (11) Cl.** **23-03**

(52) **U.S. Cl.**
USPC **D23/332**

(57) **CLAIM**

(58) **Field of Classification Search**
USPC D23/314, 317, 329, 330, 331, 332, 334,
D23/335, 336, 337, 338, 339, 340, 342,
D23/352, 351, 355, 356, 357, 359, 360,
D23/361, 362, 364, 366, 370, 396, 378,
D23/381, 382, 385

The ornamental design for a heater, substantially as shown and described.

CPC . F04D 5/00; F04D 25/10; F04D 25/08; F04D 17/04; F24H 3/00; F24H 3/0411; F24H 3/0417; F24H 9/02

DESCRIPTION

See application file for complete search history.

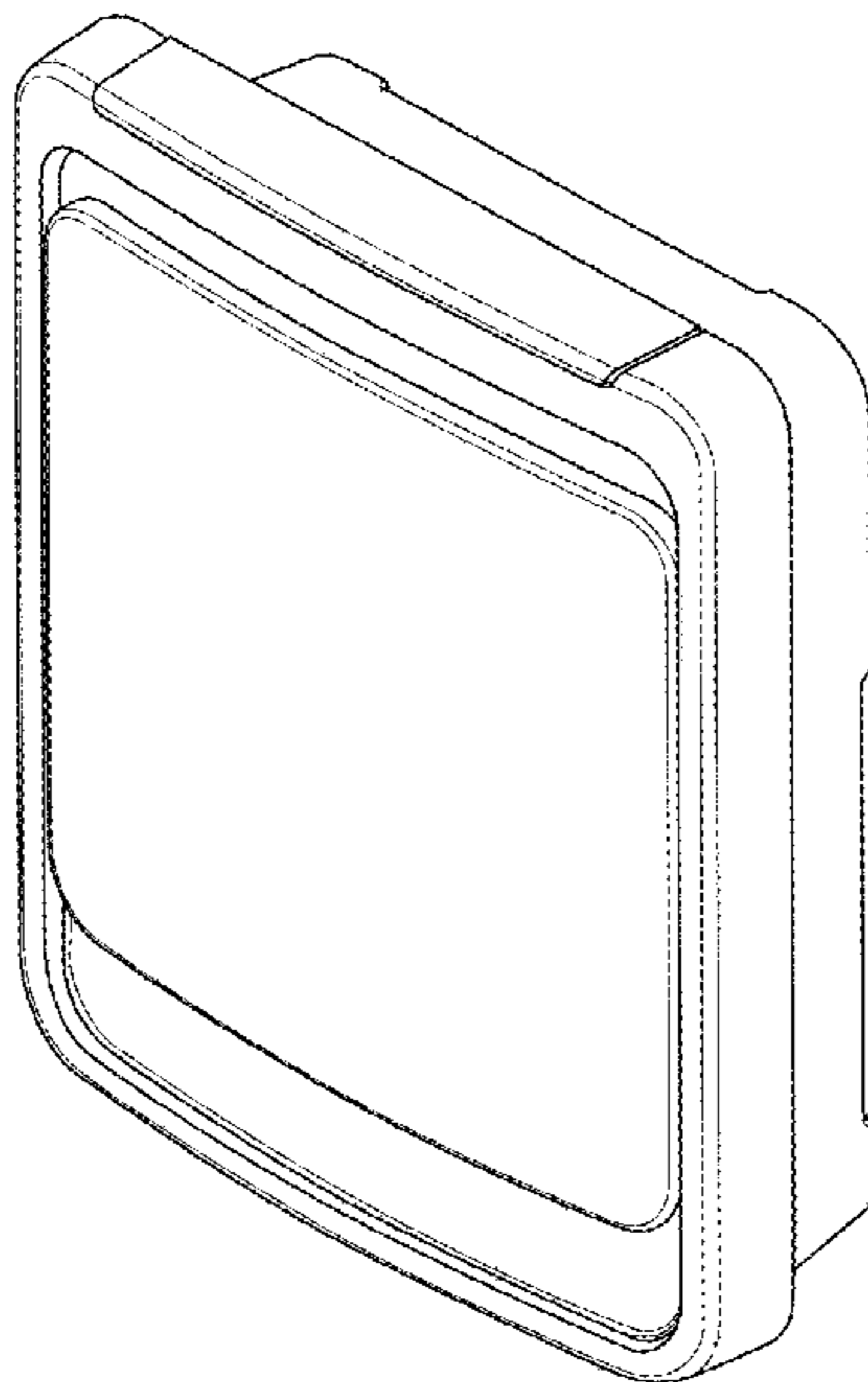
FIG. 1 is a right side perspective view of a heater showing the new design;
FIG. 2 is a front view thereof;
FIG. 3 is a top view thereof; and,
FIG. 4 is a right side view thereof.
Portions of the design shown in broken lines form no part of the claimed design.

(56) **References Cited**

U.S. PATENT DOCUMENTS

D544,589 S * 6/2007 Yoo D23/351
D550,826 S * 9/2007 Murai D23/364

1 Claim, 4 Drawing Sheets



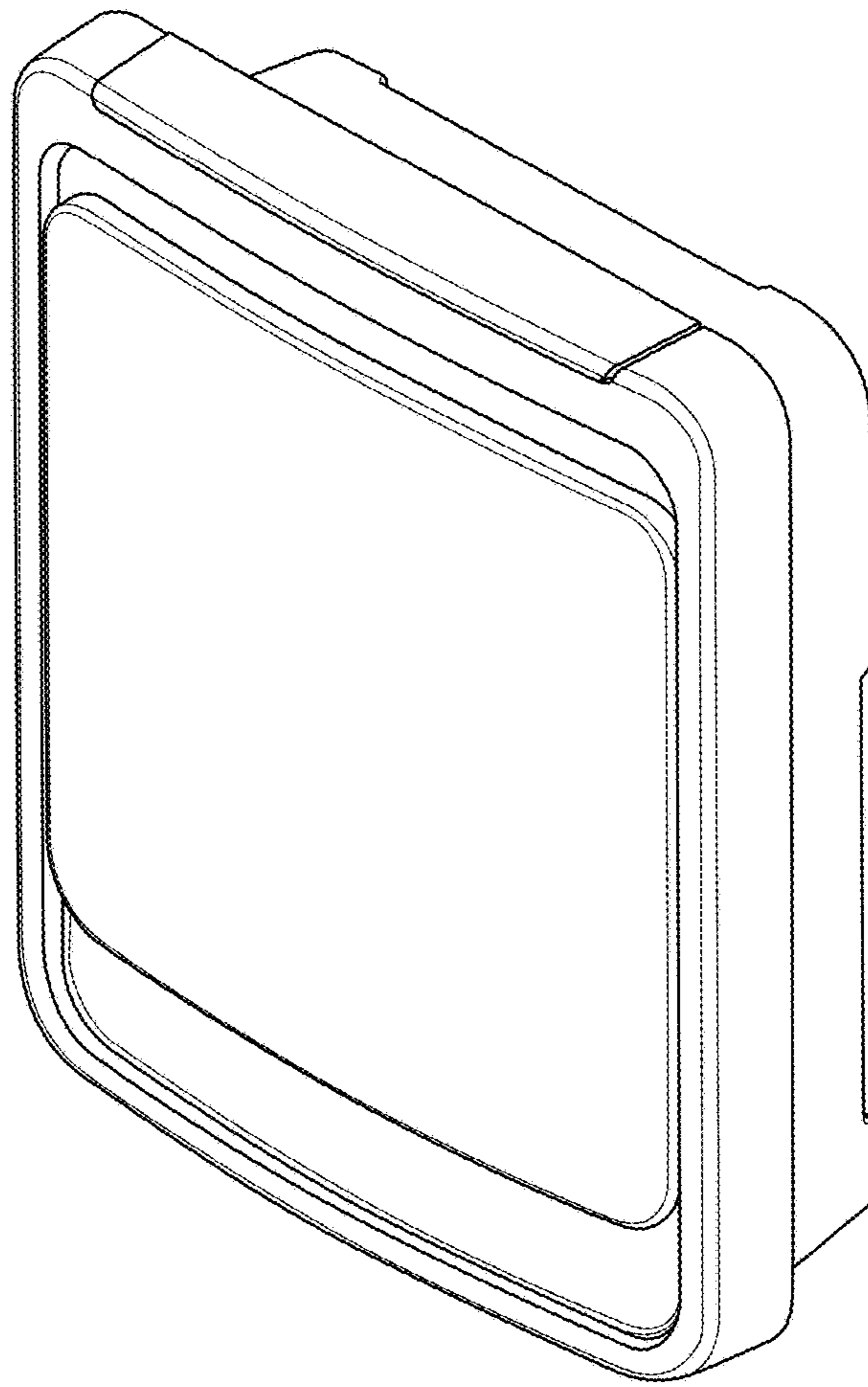


Figure 1

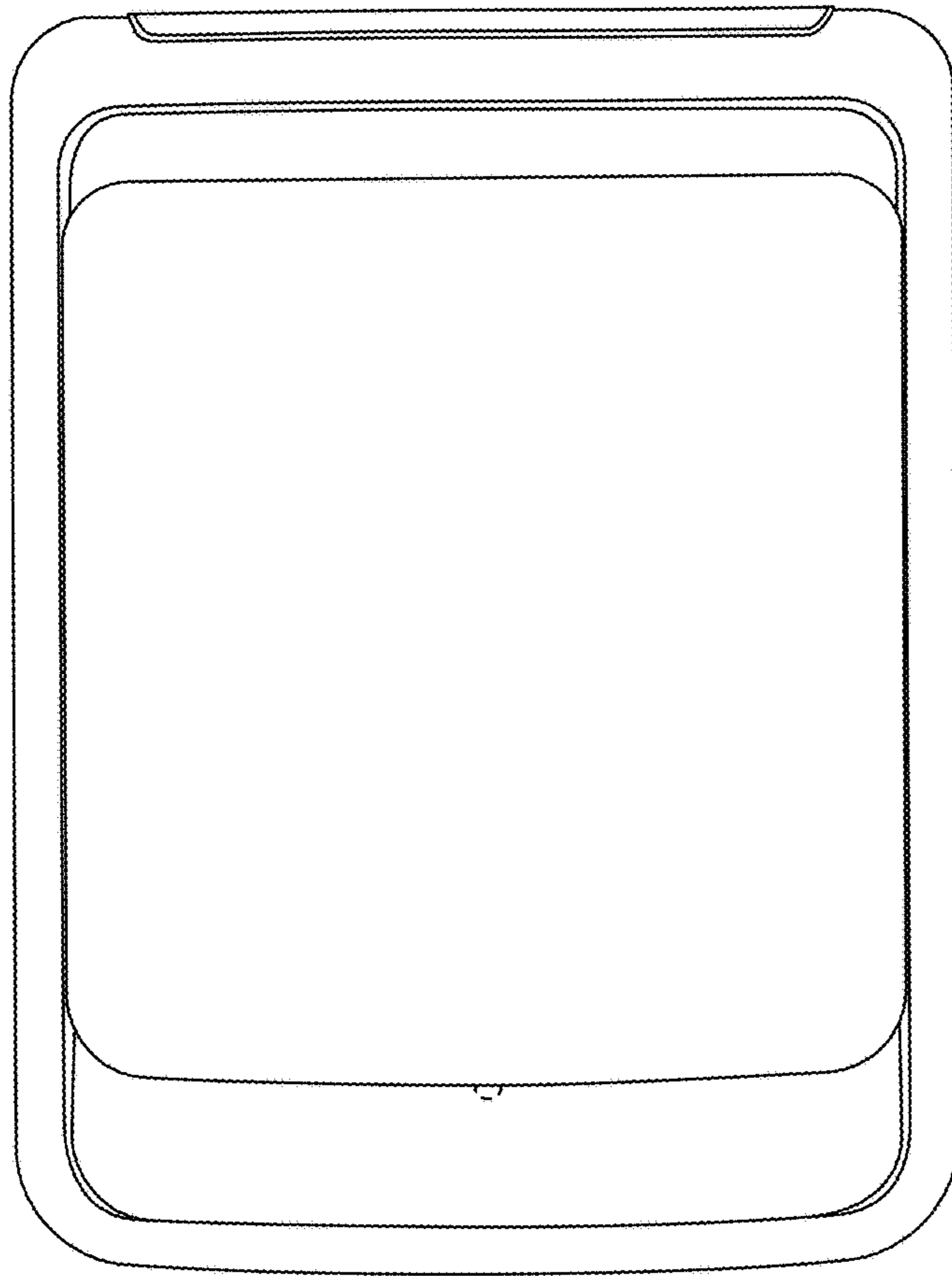


Figure 2

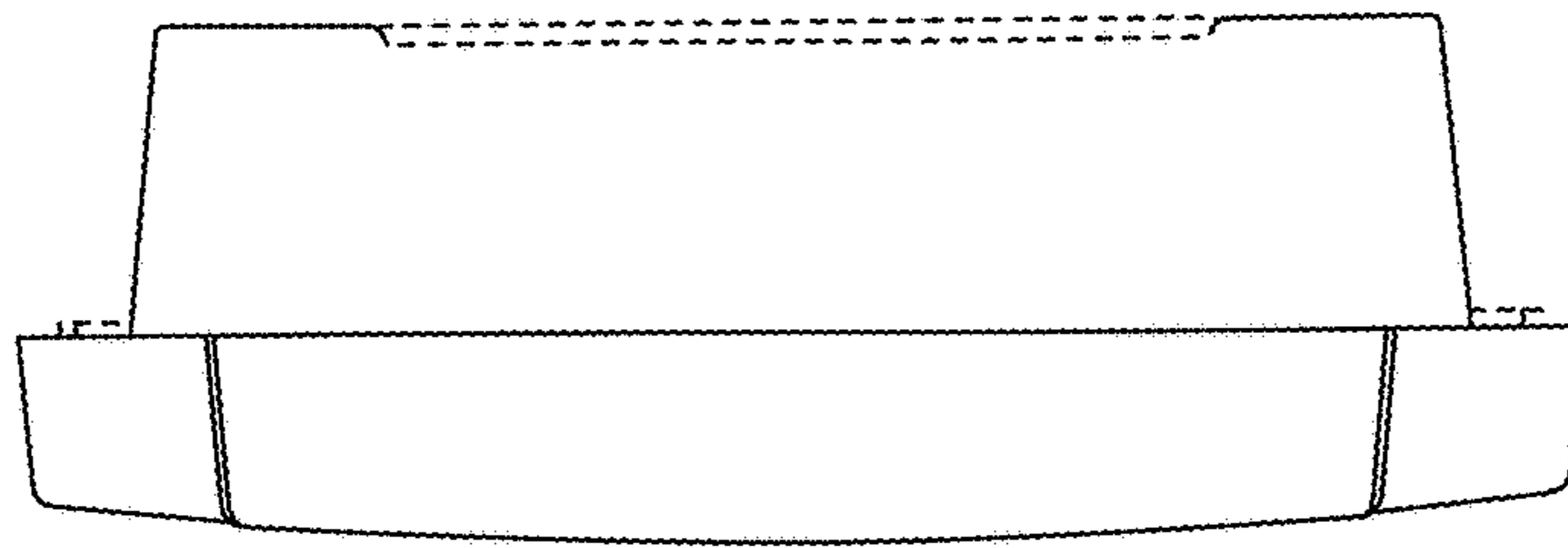


Figure 3

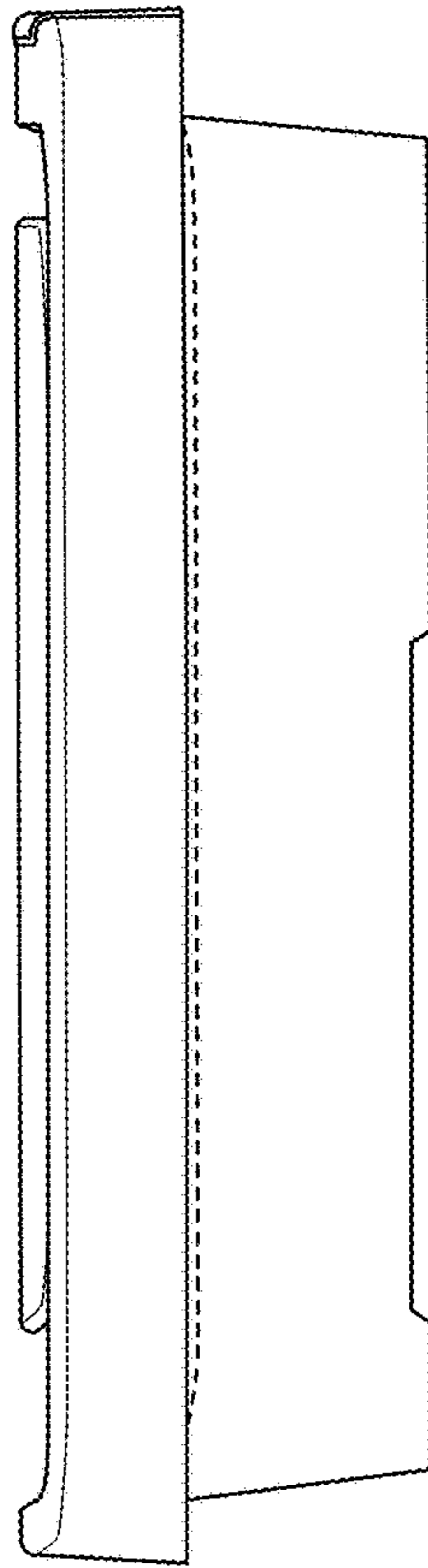


Figure 4