



US00D846099S

(12) **United States Design Patent** (10) **Patent No.:** **US D846,099 S**
Smith et al. (45) **Date of Patent:** **** Apr. 16, 2019**

(54) **VALVE ALIGNER**

(71) Applicants: **William Thomas Smith**, Fair Oaks, CA (US); **Cheryl Ann Smith**, Fair Oaks, CA (US)

(72) Inventors: **William Thomas Smith**, Fair Oaks, CA (US); **Cheryl Ann Smith**, Fair Oaks, CA (US)

(73) Assignees: **William Thomas Smith**, Fair Oaks, CA (US); **Cheryl Ann Smith**, Fair Oaks, CA (US)

(**) Term: **15 Years**

(21) Appl. No.: **29/641,791**

(22) Filed: **Mar. 25, 2018**

(51) **LOC (11) Cl.** **23-01**

(52) **U.S. Cl.**
USPC **D23/269**

(58) **Field of Classification Search**
USPC D23/233, 235, 237, 244, 249, 259, 363;
D13/154; 251/159, 328, 331;
137/516.29, 853
CPC . F16K 1/42; F16K 3/0227; F16K 1/36; F16K
1/46; F16K 3/243; F16K 3/316; F16K
5/0663

See application file for complete search history.

(56) **References Cited**

U.S. PATENT DOCUMENTS

D363,979 S *	11/1995	Clark	D23/269
D497,977 S *	11/2004	Engelbrektsson	D23/269
D548,823 S *	8/2007	Matsumoto	D23/363
D585,968 S *	2/2009	Elkins	D23/259
D593,641 S *	6/2009	Plank	D23/259
D633,183 S *	2/2011	Heintzman	D23/269
D759,217 S *	6/2016	Young	D23/269
9,360,127 B2 *	6/2016	Helmsen	F16K 1/36
D784,498 S *	4/2017	LaCroix	D23/269
D787,024 S *	5/2017	Ball	E03C 1/262 D23/259

* cited by examiner

Primary Examiner — Cynthia Ramirez

Assistant Examiner — Gino Colan

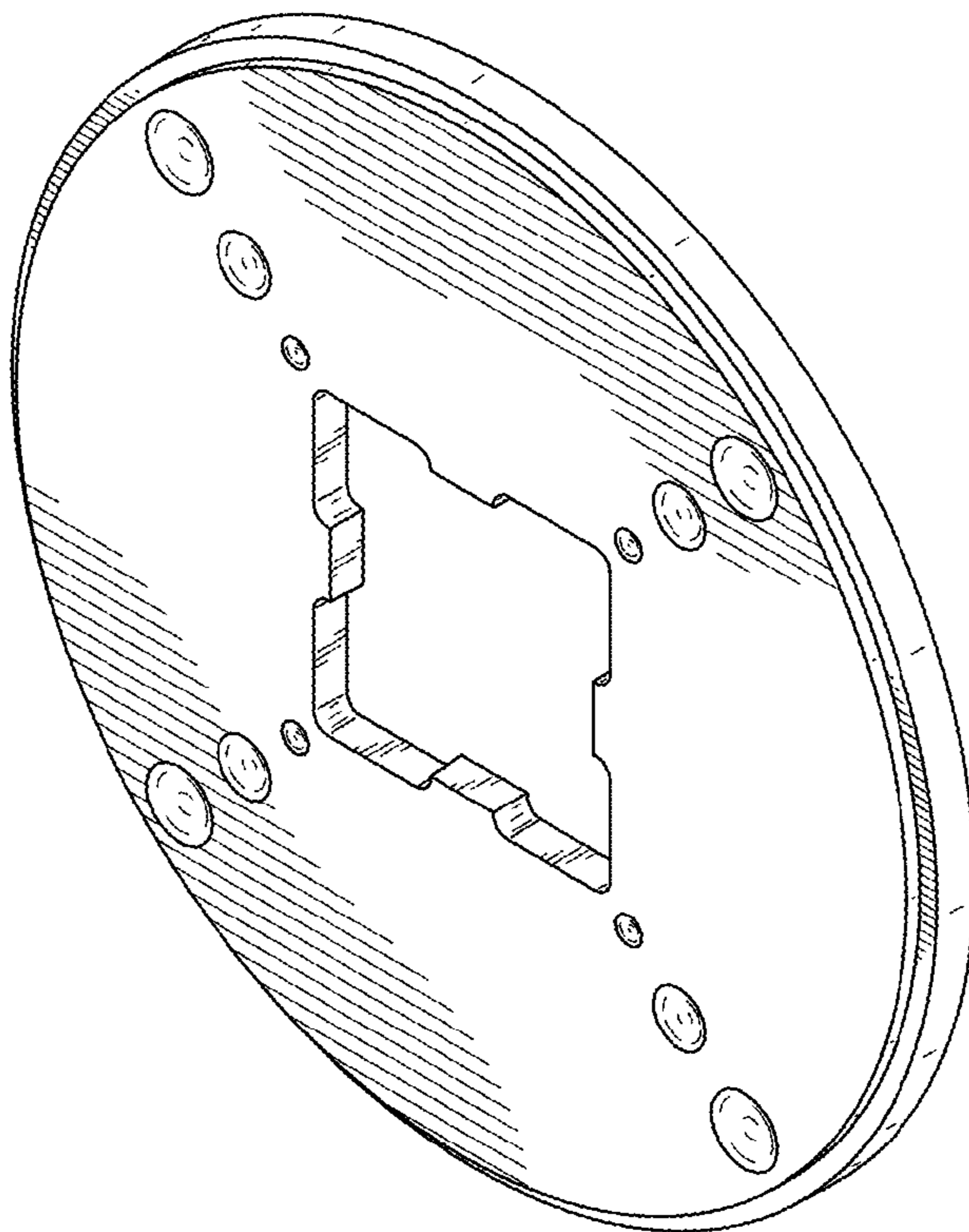
(57) **CLAIM**

The ornamental design for a valve aligner, as shown and described.

DESCRIPTION

FIG. 1 is a top perspective view of a valve aligner, showing our new design;
FIG. 2 is bottom perspective view thereof;
FIG. 3 is a top plan view thereof; and,
FIG. 4 is a bottom plan view thereof.

1 Claim, 1 Drawing Sheet



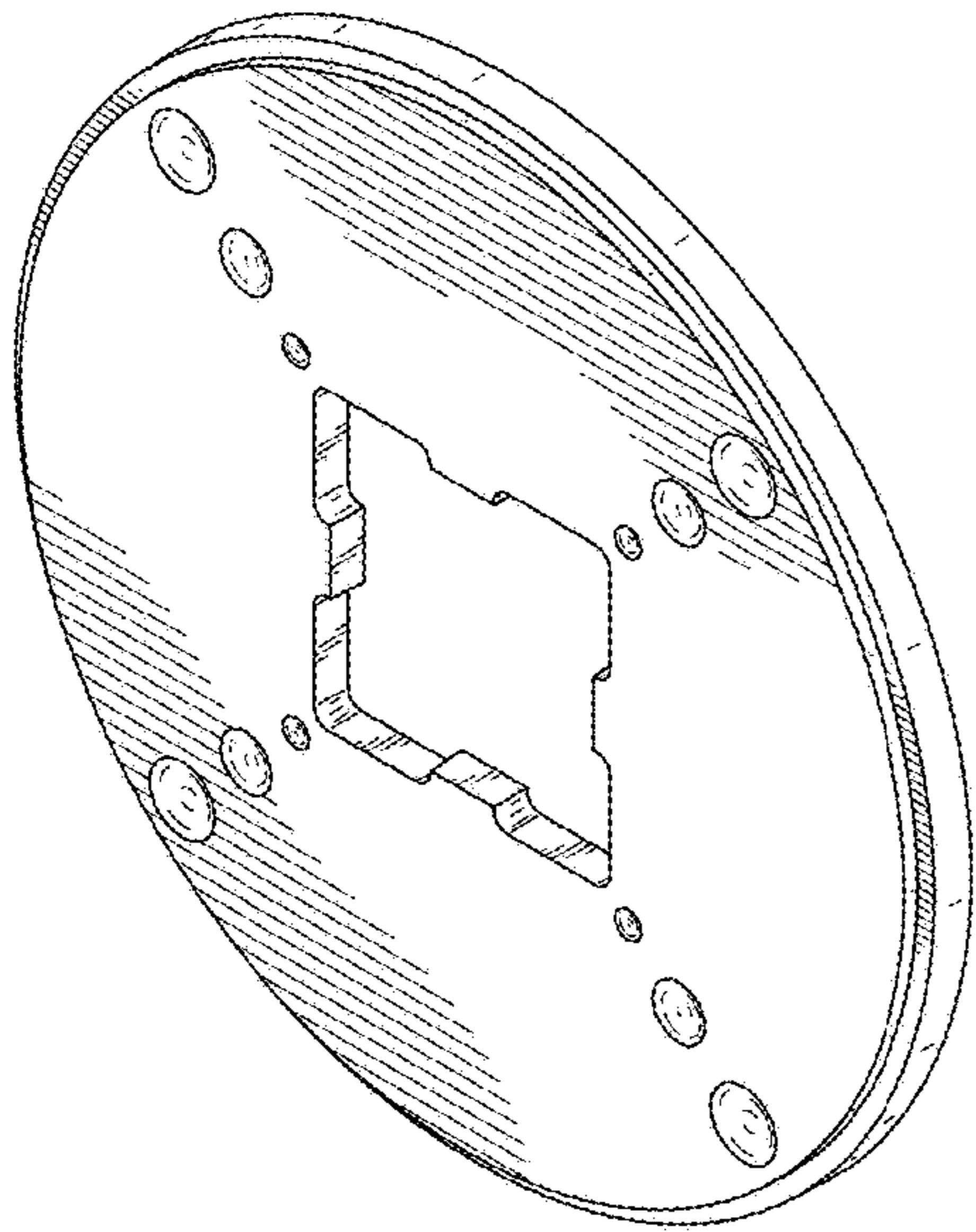


FIG. 1

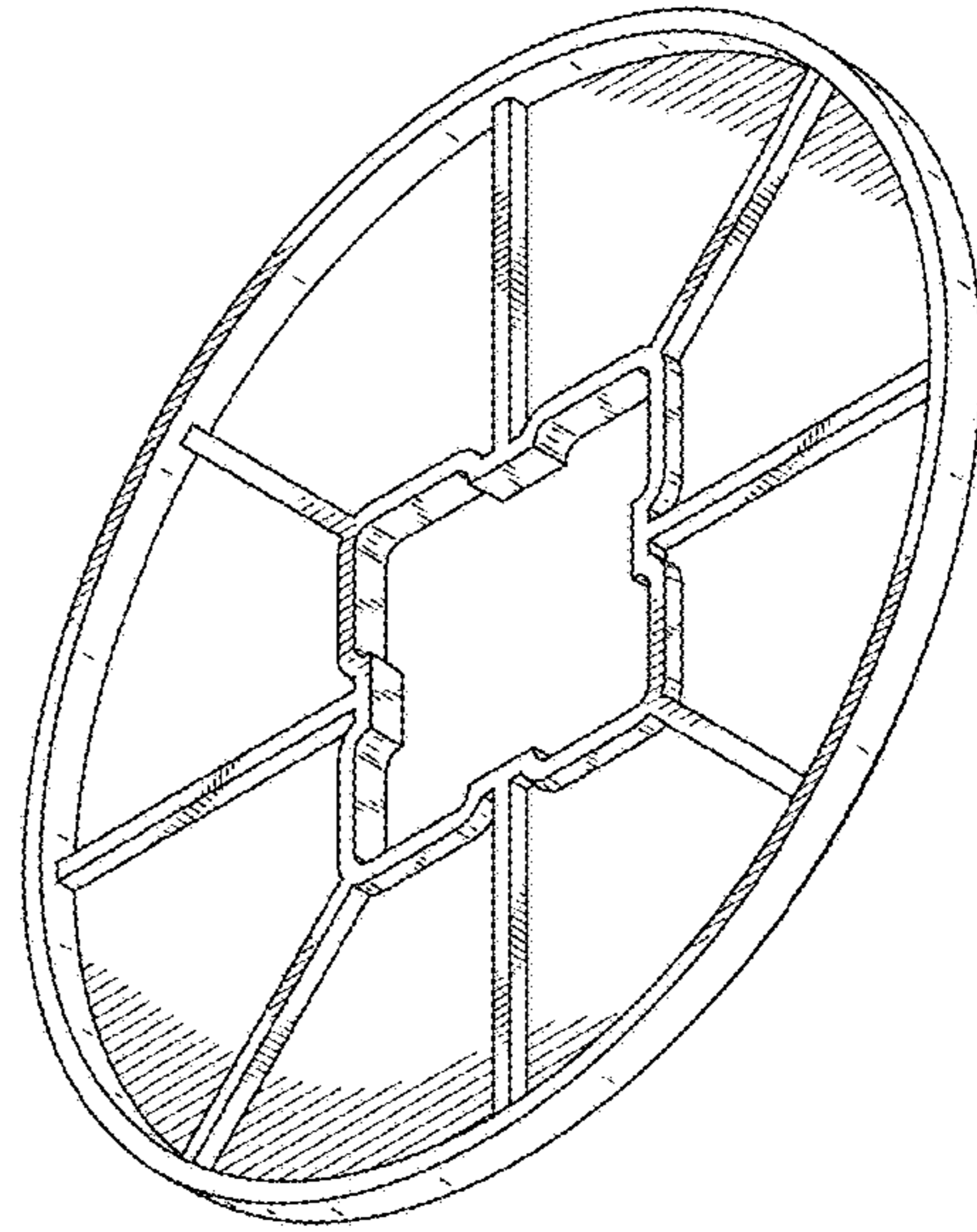


FIG. 2

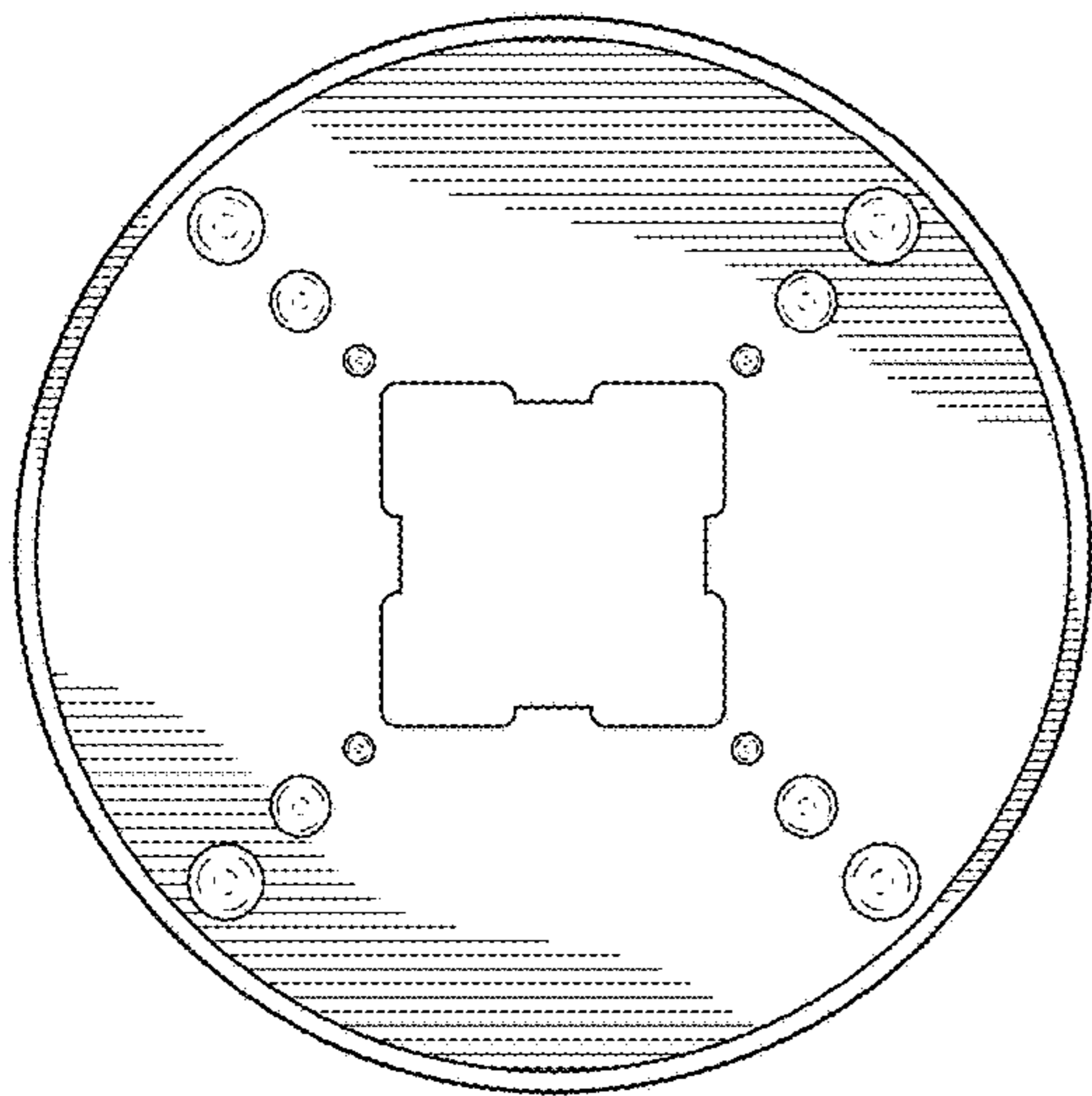


FIG. 3

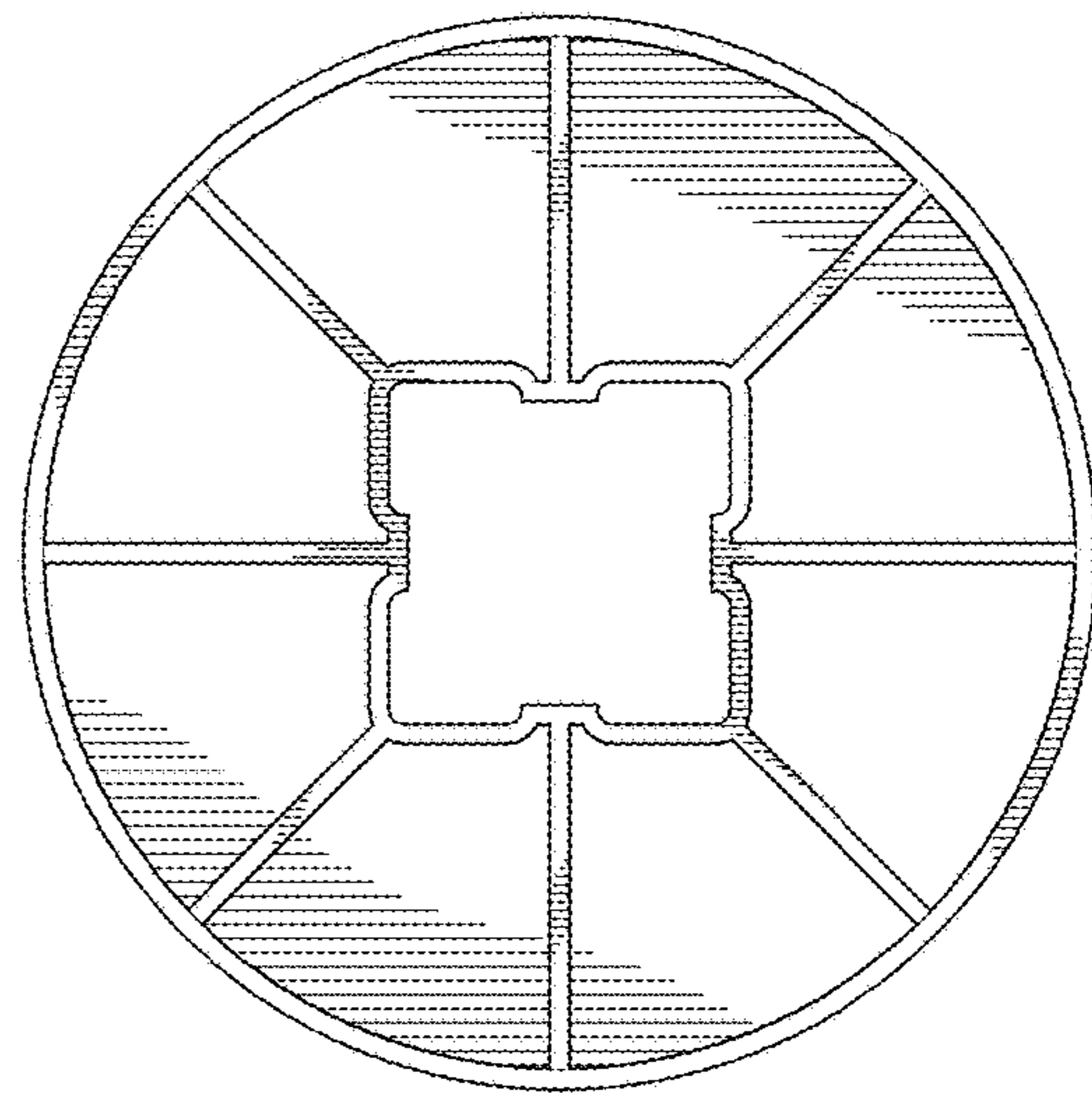


FIG. 4