



US00D846094S

(12) **United States Design Patent**
Blum

(10) **Patent No.:** **US D846,094 S**

(45) **Date of Patent:** **** Apr. 16, 2019**

(54) **THREADED RING**

(71) Applicant: **NEOPERL GMBH**, Müllheim (DE)

(72) Inventor: **Gerhard Blum**, Gutach (DE)

(73) Assignee: **Neoperl GmbH**, Müllheim (DE)

(**) Term: **15 Years**

(21) Appl. No.: **35/502,726**

(22) Filed: **Mar. 13, 2017**

(80) **Hague Agreement Data**

Int. Filing Date: **Mar. 13, 2017**

Int. Reg. No.: **DM/095292**

Int. Reg. Date: **Mar. 13, 2017**

Int. Reg. Pub. Date: **Mar. 31, 2017**

(51) **LOC (11) Cl.** **23-01**

(52) **U.S. Cl.**

USPC **D23/262; 259/213**

(58) **Field of Classification Search**

USPC **D23/213, 229, 233, 235, 247-249, 264;**
D8/387

CPC **B05B 7/0425; E03C 1/08; E03C 1/084;**
E03C 1/086; E03C 2001/026

See application file for complete search history.

(56) **References Cited**

U.S. PATENT DOCUMENTS

D243,406 S * 2/1977 Mooney D13/154
5,022,552 A * 6/1991 Kars B21D 51/40
220/288

D536,417 S * 2/2007 Buttgen D23/213
D537,916 S * 3/2007 Buttgen D23/213
D632,367 S * 2/2011 Stein D23/249
D699,816 S * 2/2014 Blum D23/249
D728,738 S * 5/2015 Birmelin D23/213
D745,641 S * 12/2015 Blum D23/213
D776,241 S * 1/2017 Wu D23/213
D791,921 S * 7/2017 Blum D23/213
D812,722 S * 3/2018 Blum D23/249
D833,581 S * 11/2018 Atwell D23/259

* cited by examiner

Primary Examiner — Keli L Hill

(74) *Attorney, Agent, or Firm* — Neoperl GmbH

(57) **CLAIM**

The ornamental design for a threaded ring, as shown and described.

DESCRIPTION

1. Threaded rings

1.1 : Top

1.2 : Perspective

1.3 : Bottom

1.4 : Perspective

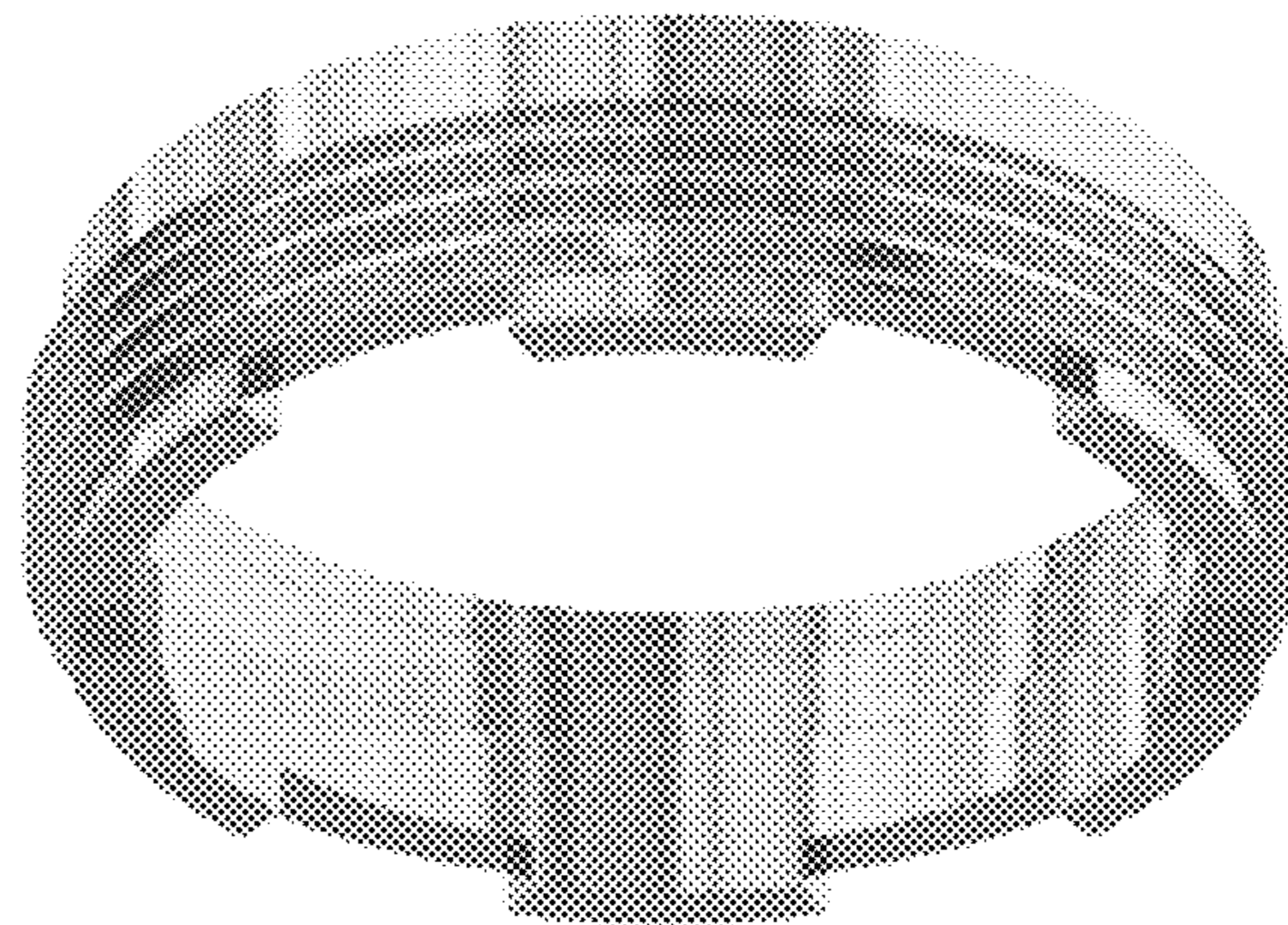
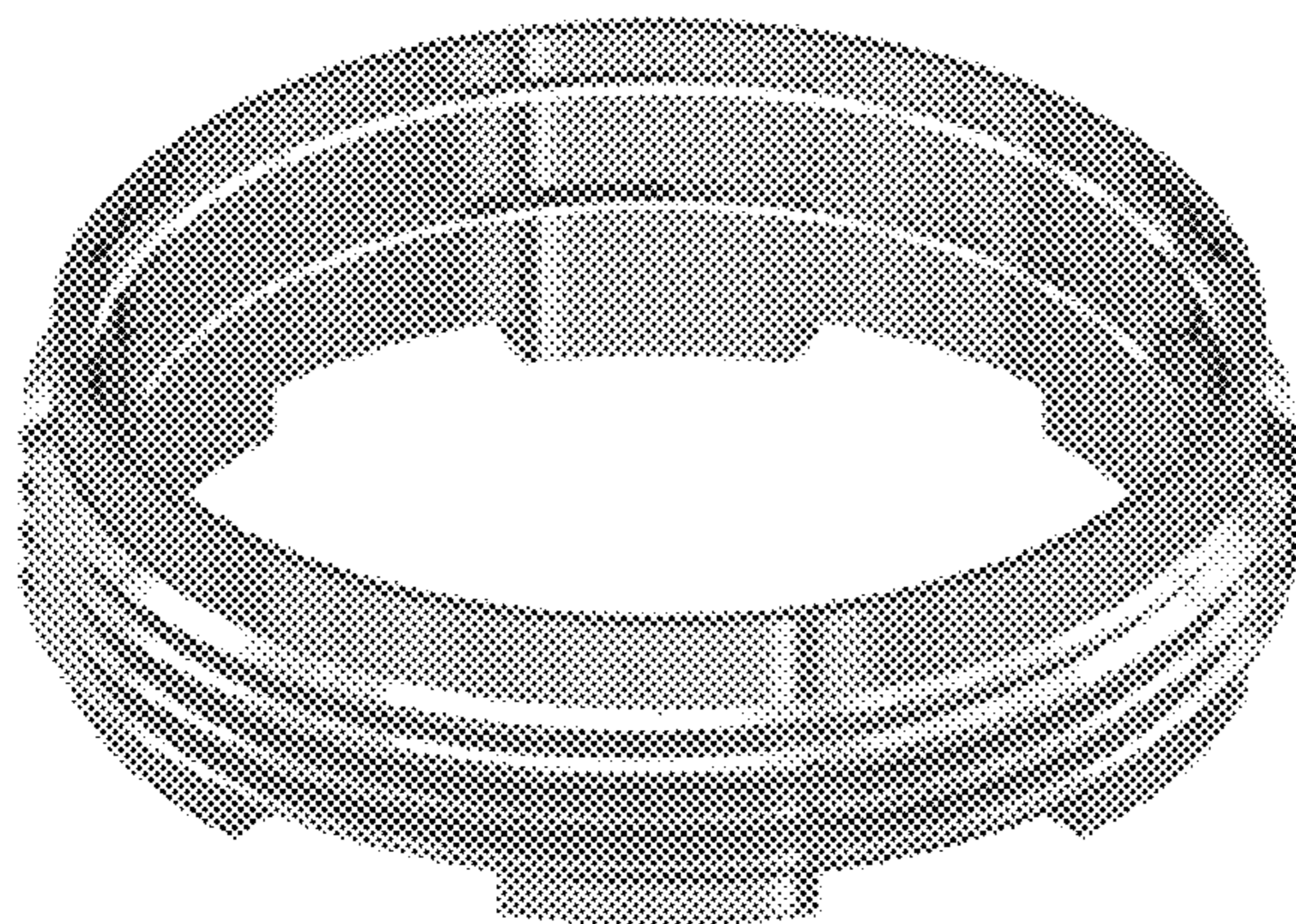
1.5 : Front

1.6 : Right

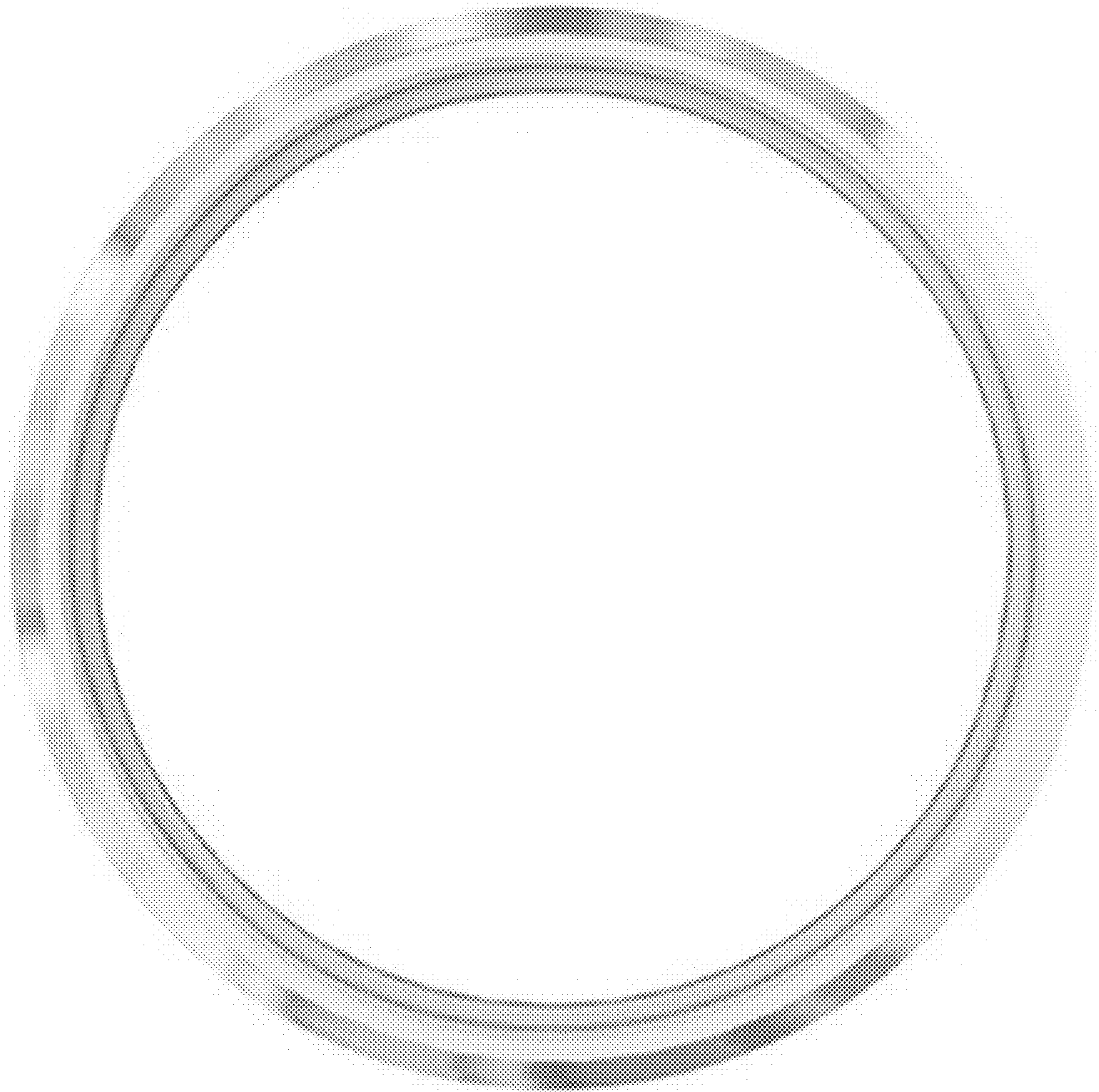
1.7 : Back

1.8 : Left

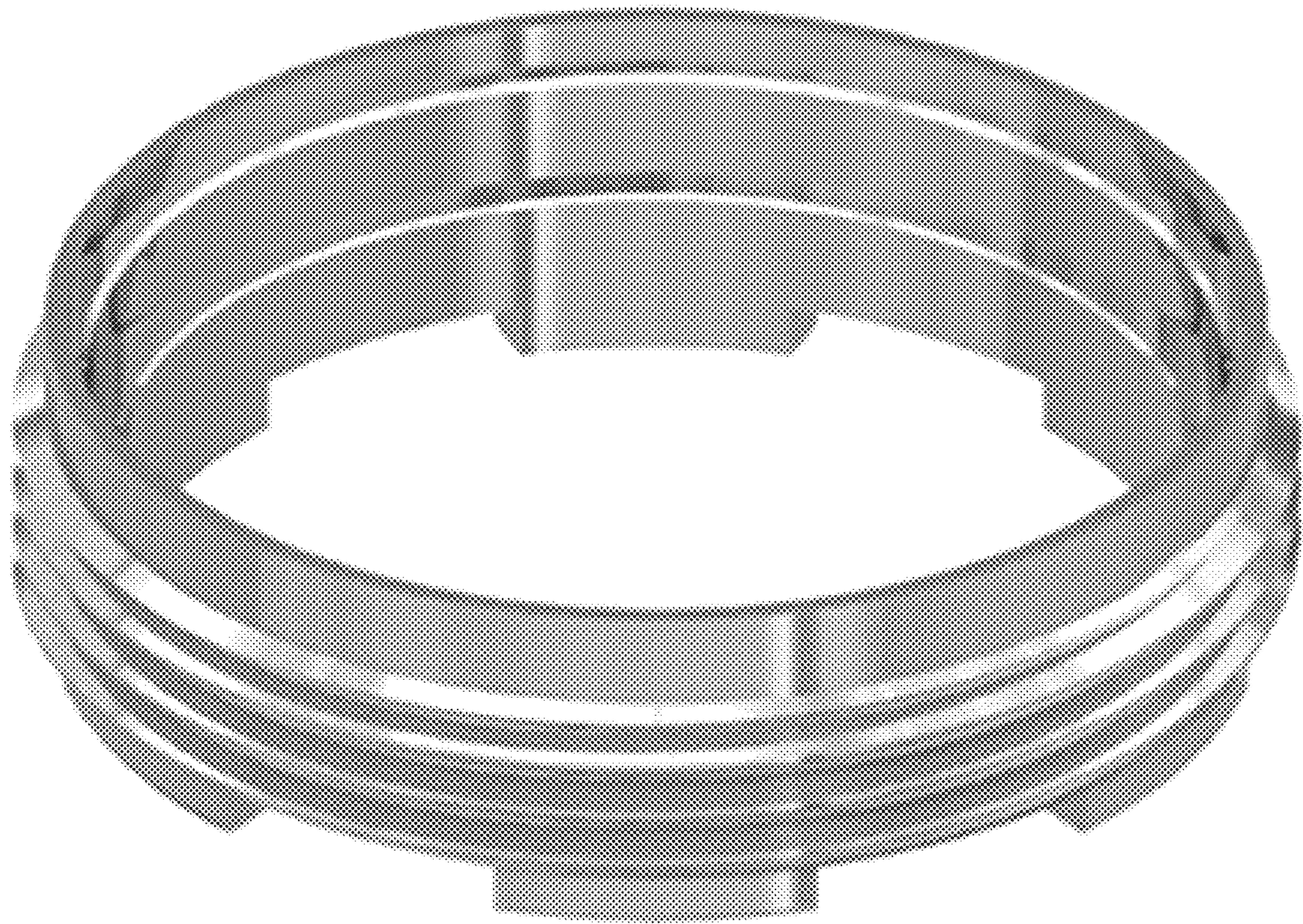
1 Claim, 8 Drawing Sheets



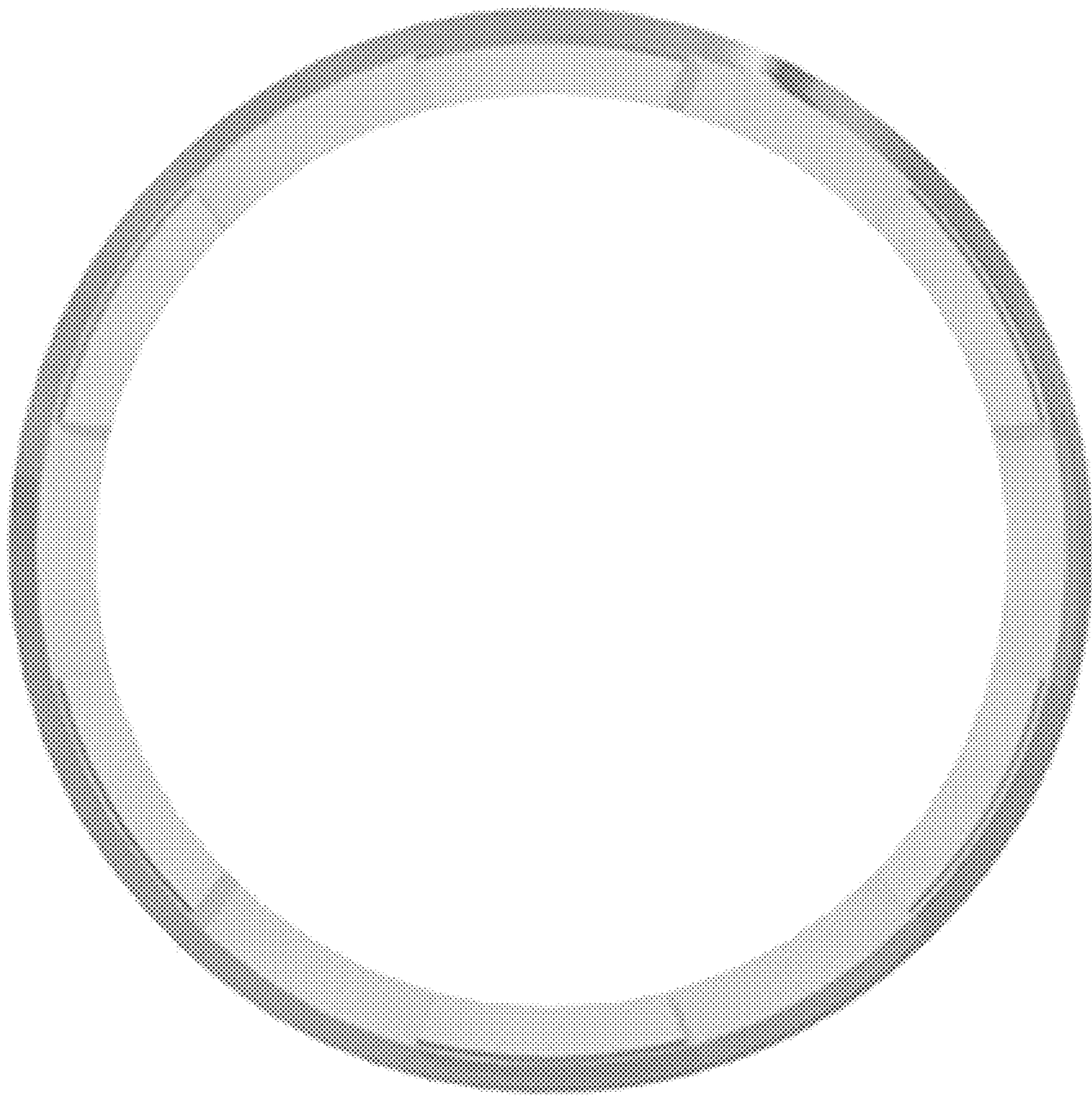
1.1



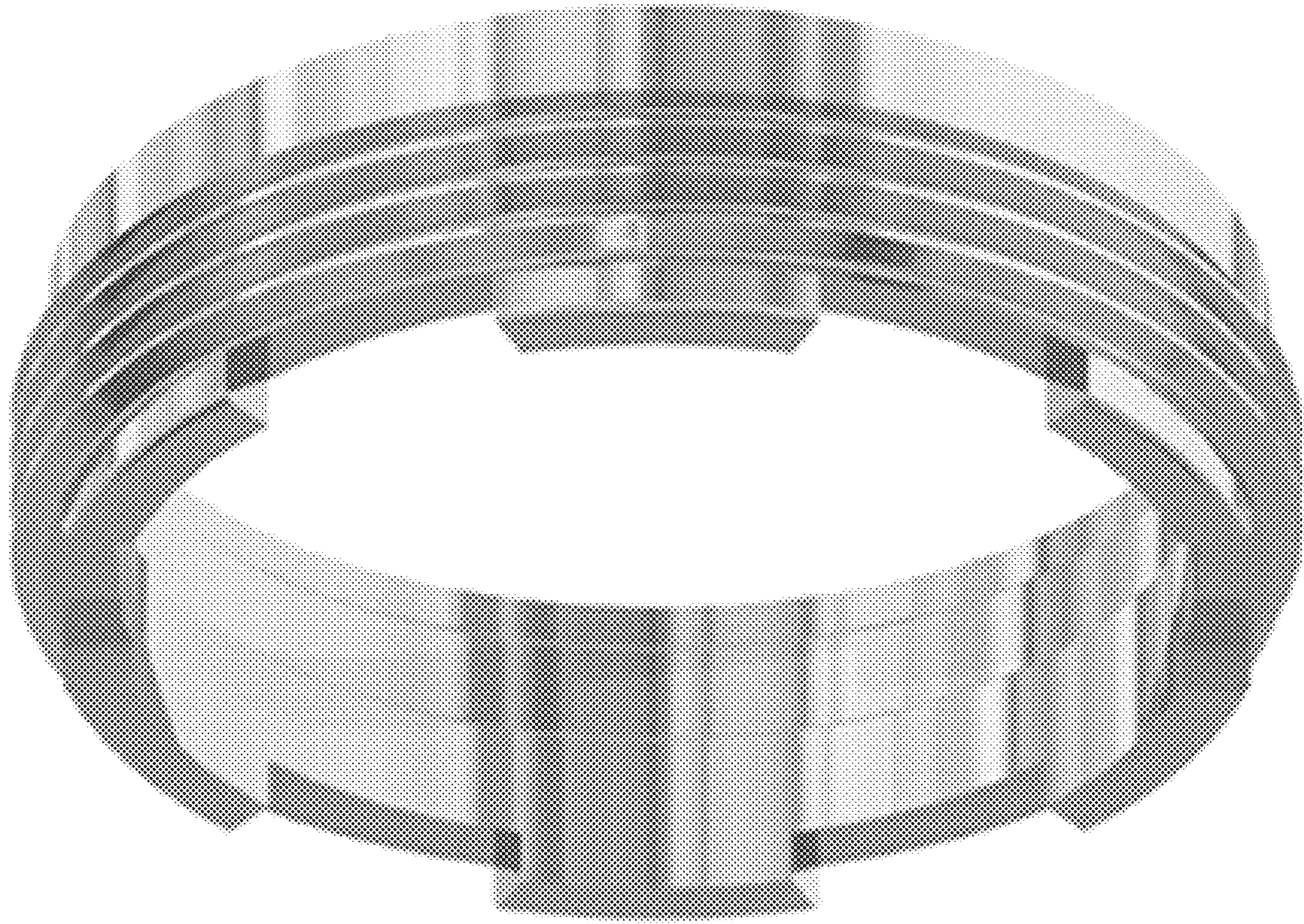
1.2



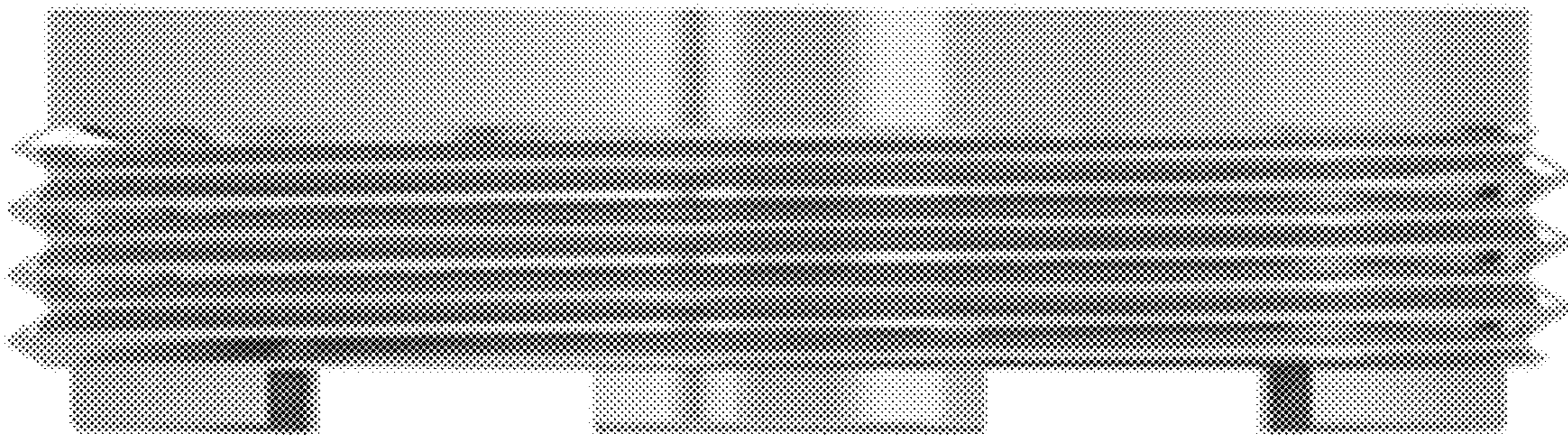
1.3



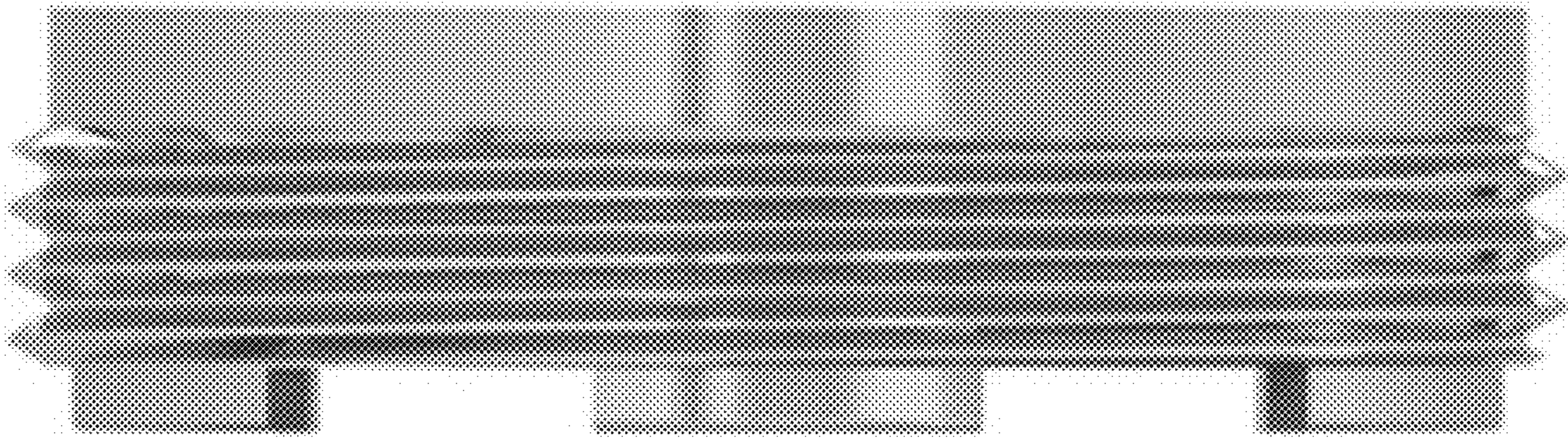
1.4



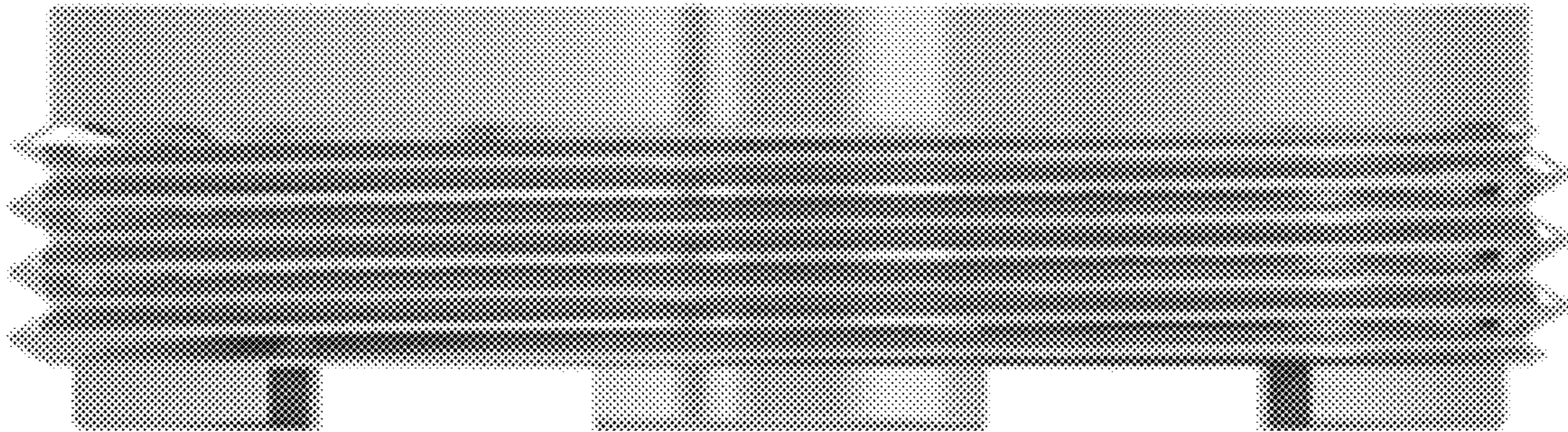
1.5



1.6



1.7



1.8

