



US00D846093S

(12) **United States Design Patent**
Keizers

(10) **Patent No.:** **US D846,093 S**

(45) **Date of Patent:** **** Apr. 16, 2019**

(54) **SHOWER DRAIN**

(71) Applicant: **Keizerskroon Beheer B.V.**, Oldenzaal (NL)

(72) Inventor: **Jurgen Hendrik Peter Jozeph Keizers**, Losser (NL)

(73) Assignee: **Keizerskroon Beheer BV**, Oldenzaal (NL)

(**) Term: **15 Years**

(21) Appl. No.: **29/660,443**

(22) Filed: **Aug. 21, 2018**

(30) **Foreign Application Priority Data**

| | | |
|---------------|------|----------------|
| Feb. 23, 2017 | (EM) | 003763473-0001 |
| Feb. 23, 2017 | (EM) | 003763473-0002 |
| Feb. 23, 2017 | (EM) | 003763473-0003 |
| Feb. 23, 2017 | (EM) | 003763473-0004 |
| Feb. 23, 2017 | (EM) | 003763473-0005 |
| Feb. 23, 2017 | (EM) | 003763473-0006 |
| Feb. 23, 2017 | (EM) | 003763473-0007 |
| Feb. 23, 2017 | (EM) | 003763473-0008 |
| Feb. 23, 2017 | (EM) | 003763473-0009 |
| Feb. 23, 2017 | (EM) | 003763473-0010 |
| Feb. 23, 2017 | (EM) | 003763473-0011 |
| Feb. 23, 2017 | (EM) | 003763473-0012 |
| Feb. 23, 2017 | (EM) | 003763473-0013 |
| Feb. 23, 2017 | (EM) | 003763473-0014 |
| Feb. 23, 2017 | (EM) | 003763473-0015 |
| Feb. 23, 2017 | (EM) | 003763473-0016 |
| Feb. 23, 2017 | (EM) | 003763473-0017 |
| Feb. 23, 2017 | (EM) | 003763473-0018 |
| Feb. 23, 2017 | (EM) | 003763473-0019 |
| Feb. 23, 2017 | (EM) | 003763473-0020 |

(Continued)

(51) **LOC (11) Cl.** **23-01**

(52) **U.S. Cl.**
USPC **D23/261**

(58) **Field of Classification Search**
USPC D23/259–261, 267–268, 388, 397, 400;
404/2–4; 210/163–164, 166;
(Continued)

(56) **References Cited**

U.S. PATENT DOCUMENTS

D246,251 S 11/1977 Hirsch et al.
D497,977 S 11/2004 Engelbrektsson
(Continued)

Primary Examiner — Eric L Goodman
Assistant Examiner — Amy C Wierenga

(74) *Attorney, Agent, or Firm* — Woodard, Emhardt, Henry, Reeves & Wagner, LLP

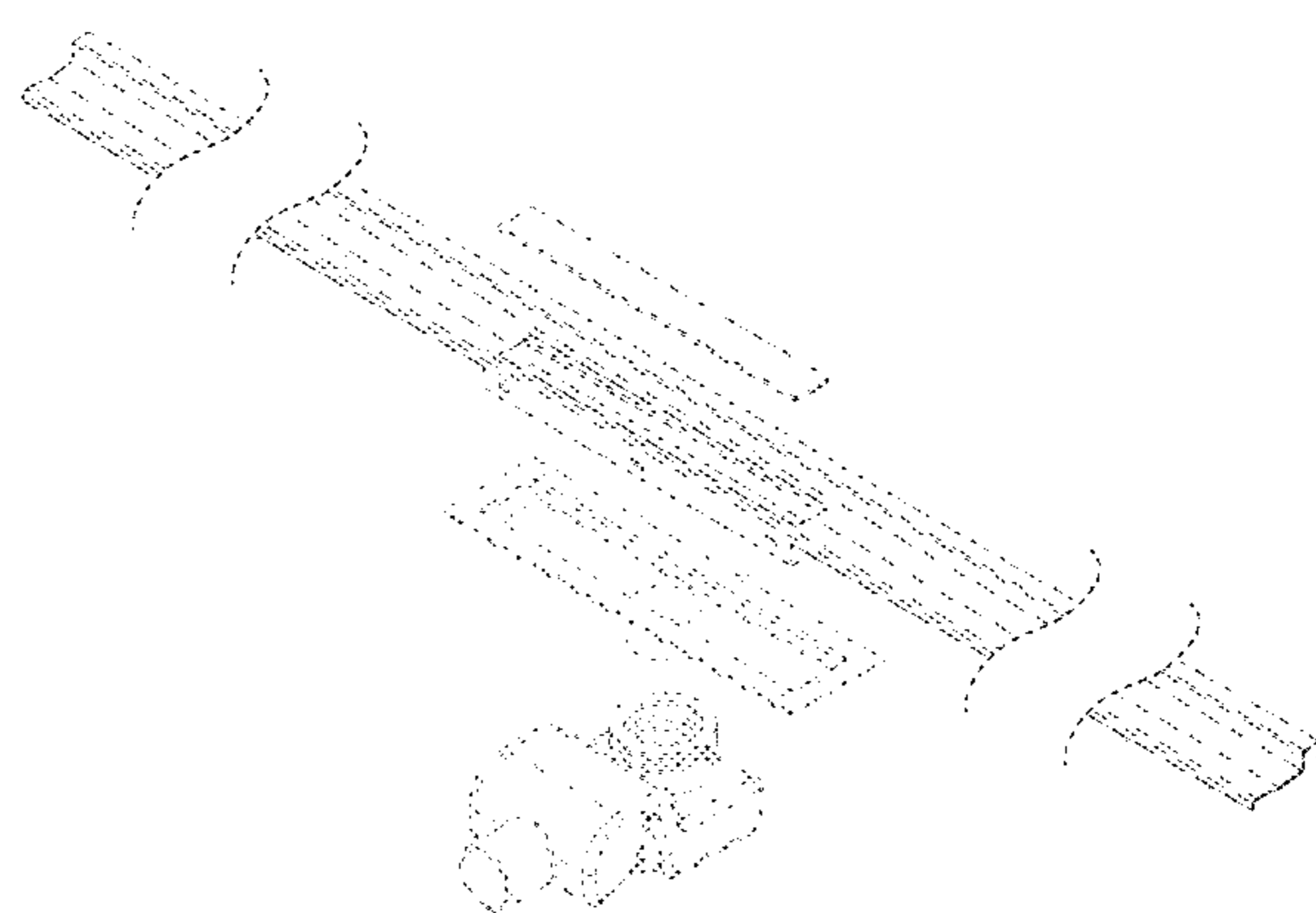
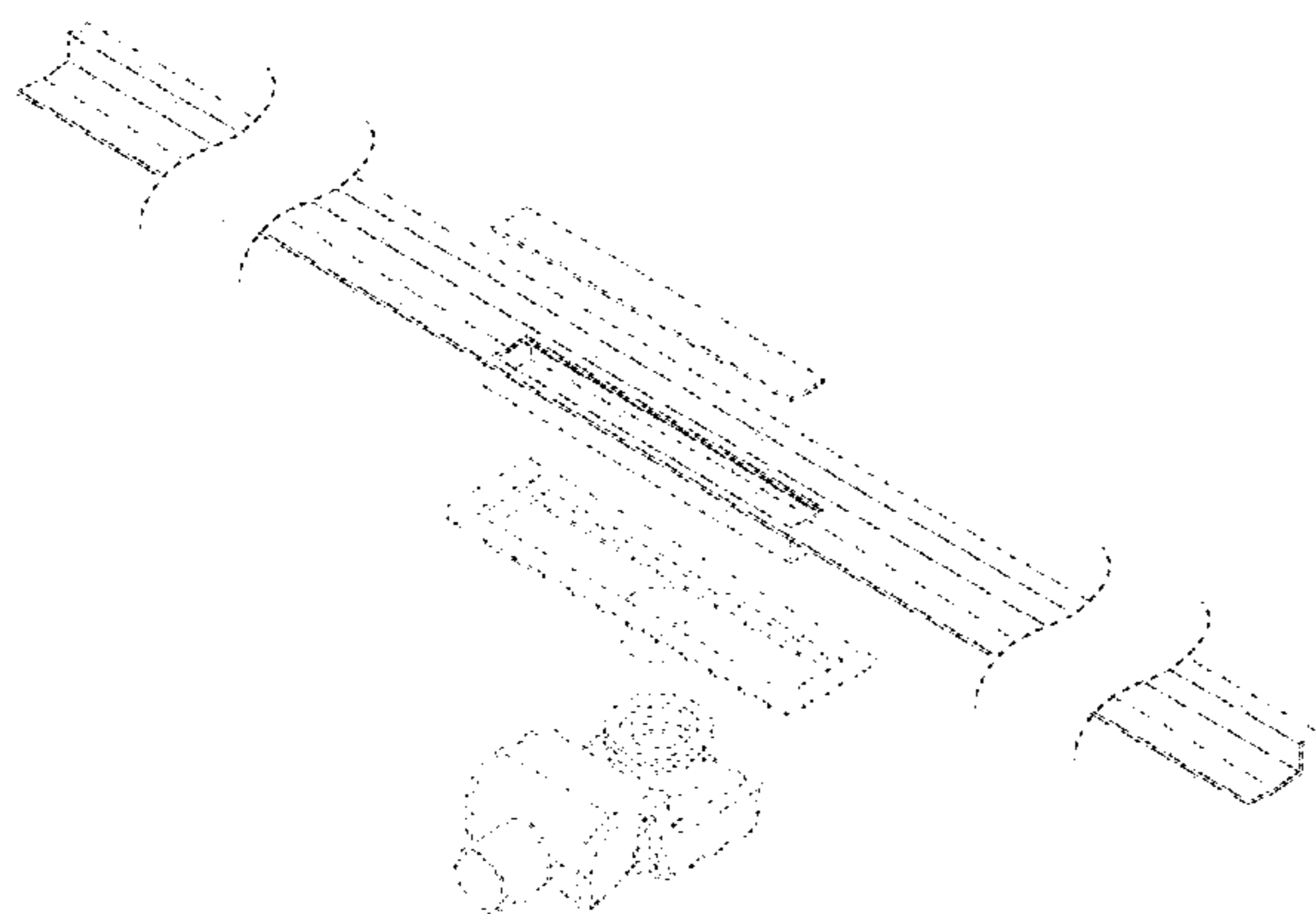
(57) **CLAIM**

The ornamental design for a shower drain, as shown and described.

DESCRIPTION

FIG. 1 is an exploded, perspective view of a first embodiment of a shower drain;
FIG. 2 is a top view of the shower drain of FIG. 1;
FIG. 3 is an exploded, perspective view of a second embodiment of a shower drain;
FIG. 4 is a top view of the shower drain of FIG. 3;
FIG. 5 is an exploded, perspective view of a third embodiment of a shower drain; and,
FIG. 6 is a top view of the shower drain of FIG. 5.
The dashed broken lines in the drawings illustrate portions of the shower drain and environmental subject matter that form no part of the claim. The shower drain is shown with symbolic breaks in its length. The appearance of any portion of the shower drain between the break lines forms no part of the claim.

1 Claim, 6 Drawing Sheets



(30) Foreign Application Priority Data

Feb. 23, 2017 (EM) 003763473-0021
 Feb. 23, 2017 (EM) 003763473-0022
 Feb. 23, 2017 (EM) 003763473-0023

(58) Field of Classification Search

USPC 454/275-277, 284, 289, 291; 4/287, 613,
 4/679, 680-684, 689-694, 671-673
 CPC E03C 1/12; E03C 1/20; E03C 1/23; E03C
 1/26; E03C 1/262; E03C 1/284; E03C
 1/2302; E03C 1/2306; E03C 1/2001;
 E03C 1/2413; E03F 5/0408; E03F 5/06;
 E03F 5/0407; E03F 5/052; A47K 3/405;
 A47K 3/40

See application file for complete search history.

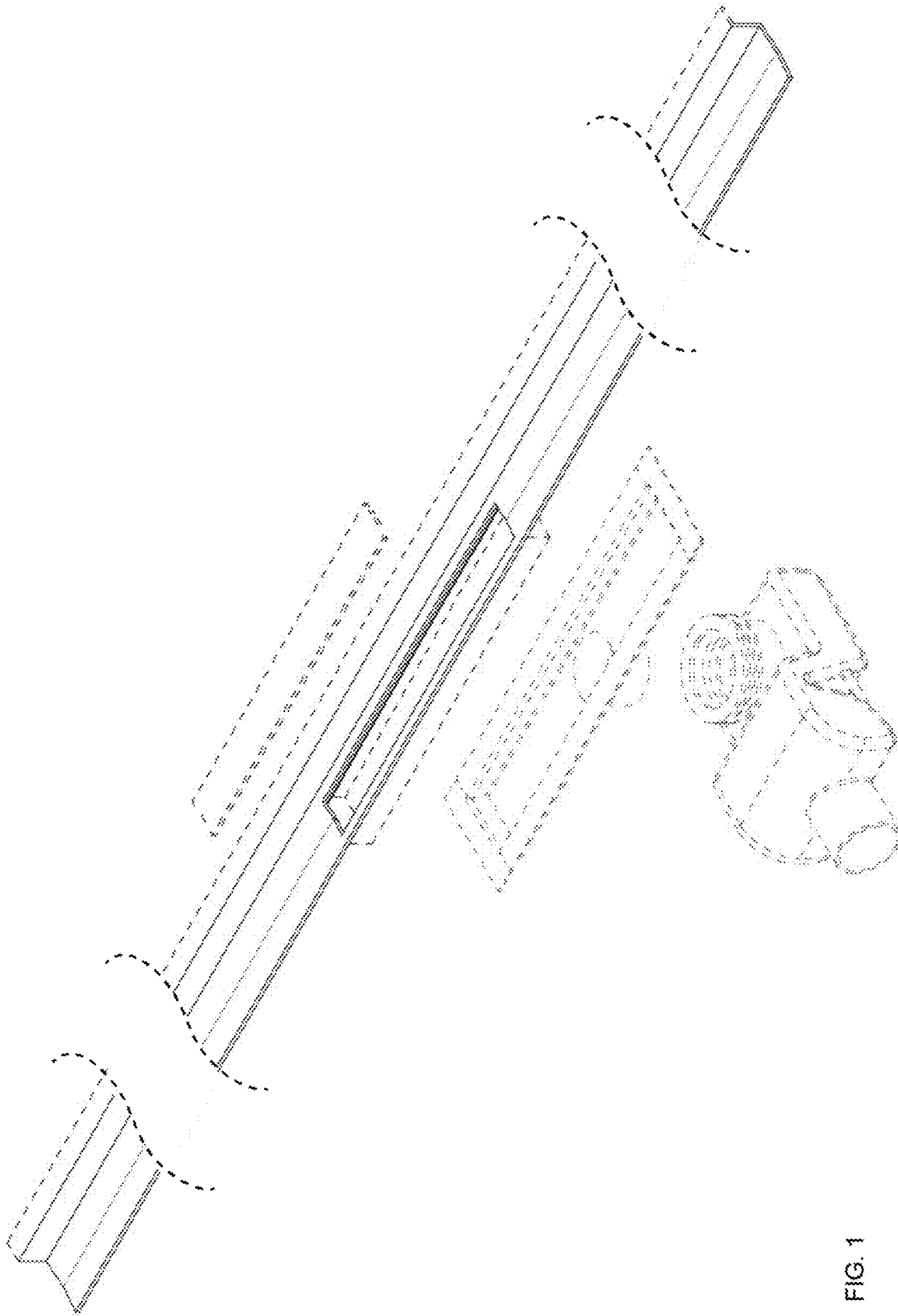
(56) References Cited

U.S. PATENT DOCUMENTS

D585,940 S 2/2009 Lin
 D657,858 S 4/2012 Platt
 8,239,974 B2* 8/2012 Erlebach E03F 5/04
 4/291
 8,474,068 B2* 7/2013 Kik, Sr. E03F 3/046
 4/613
 8,474,069 B1* 7/2013 Whiting E03F 5/0408
 4/613
 8,475,079 B2* 7/2013 Humphries E03F 3/046
 249/11
 8,505,131 B2* 8/2013 Doolittle E03F 5/0408
 4/613

8,850,633 B2* 10/2014 Erlebach A47K 3/40
 4/679
 D742,483 S 11/2015 Chapman et al.
 D754,305 S 4/2016 Papadatos
 9,334,638 B1* 5/2016 Kirby A47K 3/40
 9,382,701 B2* 7/2016 Meyers E03C 1/22
 9,611,634 B2 4/2017 Erlebach
 D785,766 S 5/2017 Sato
 D787,646 S 5/2017 Davis et al.
 D792,954 S* 7/2017 Sander D23/304
 D809,635 S* 2/2018 Licini D23/304
 D829,306 S 9/2018 Ikedo et al.
 2007/0017578 A1 1/2007 Dallmer
 2007/0274781 A1 11/2007 Aubusson et al.
 2008/0104910 A1 5/2008 Andras et al.
 2009/0119831 A1 5/2009 Grave et al.
 2010/0162481 A1 7/2010 Erlebach
 2010/0176041 A1 7/2010 Schlueter
 2011/0061161 A1 3/2011 Erlebach
 2011/0067175 A1* 3/2011 Steylaerts E03F 5/0408
 4/679
 2011/0162137 A1 7/2011 Kik, Sr. et al.
 2011/0203979 A1* 8/2011 Schlueter E03F 5/04
 210/164
 2013/0174921 A1 7/2013 Schluter
 2013/0326806 A1* 12/2013 Stonecipher E03F 5/06
 4/613
 2014/0157514 A1 6/2014 Cook
 2016/0073831 A1 3/2016 Wedi
 2016/0130794 A1* 5/2016 Erlebach E03F 5/0408
 4/613
 2017/0241124 A1* 8/2017 Erlebach A47K 3/40
 2018/0038091 A1 2/2018 Ismert et al.
 2018/0279840 A1 10/2018 Ruiz Perez et al.

* cited by examiner



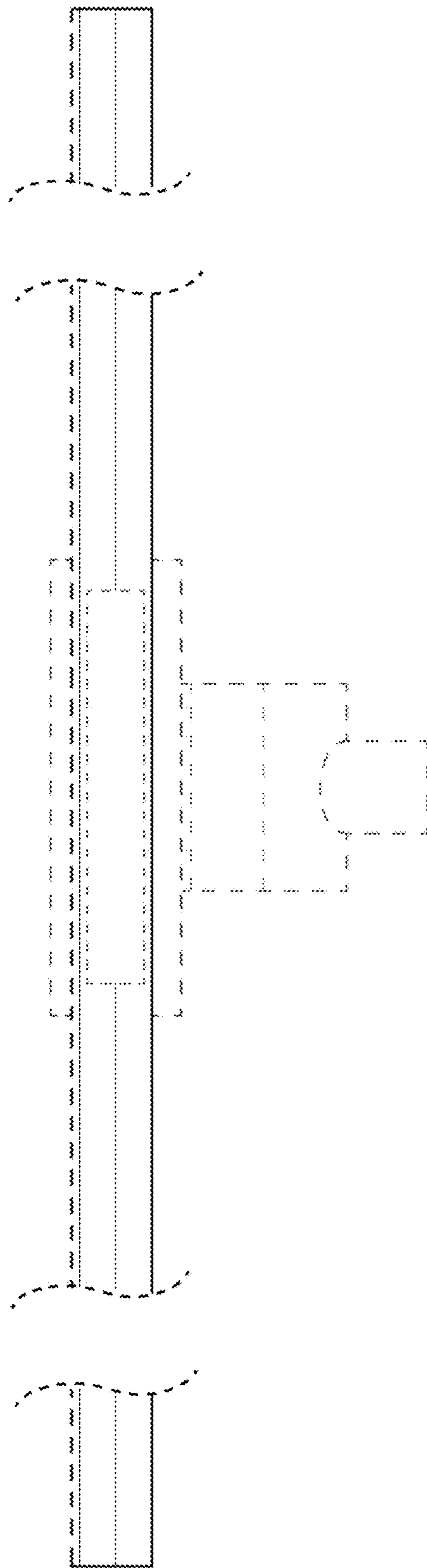


FIG. 2

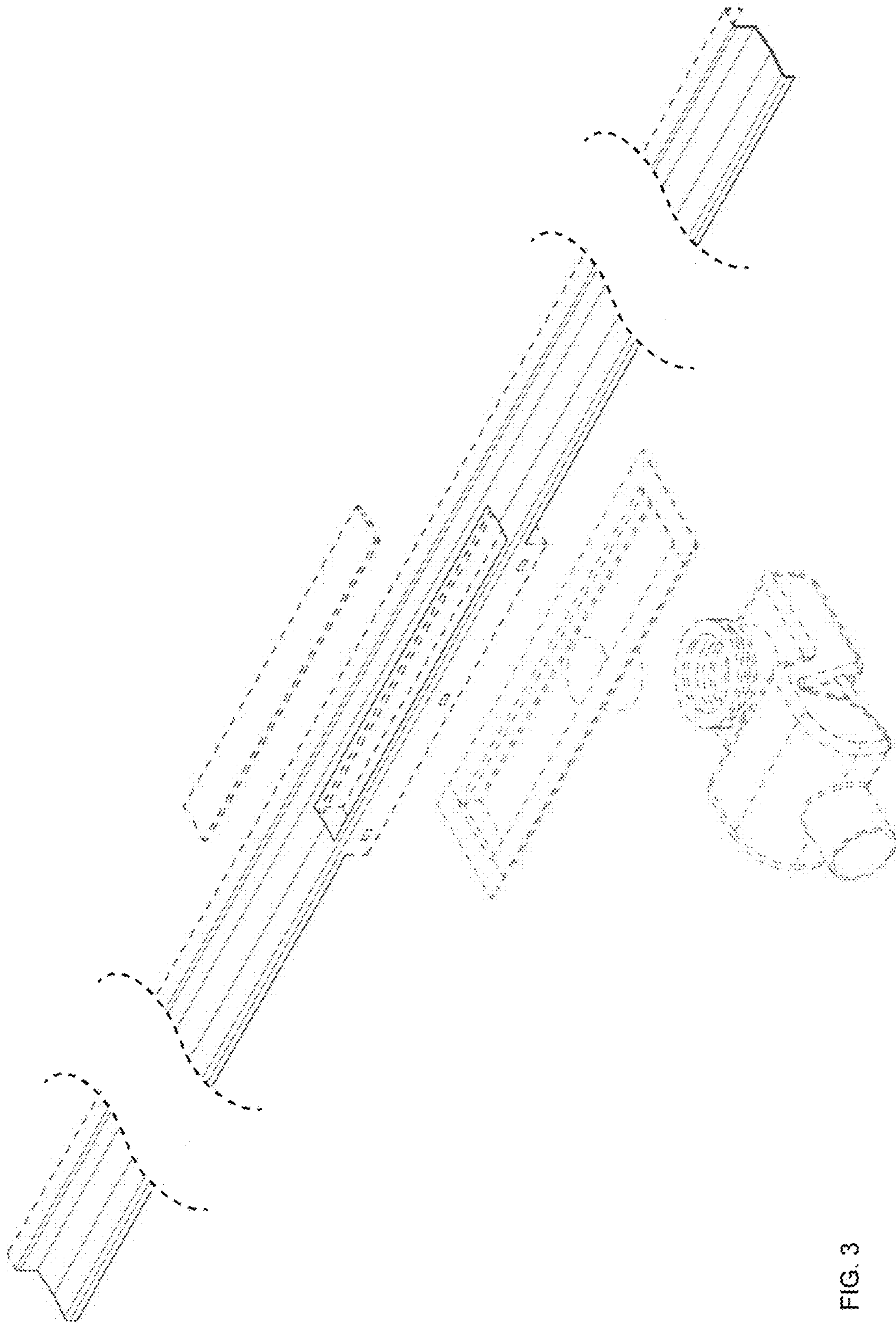


FIG. 3

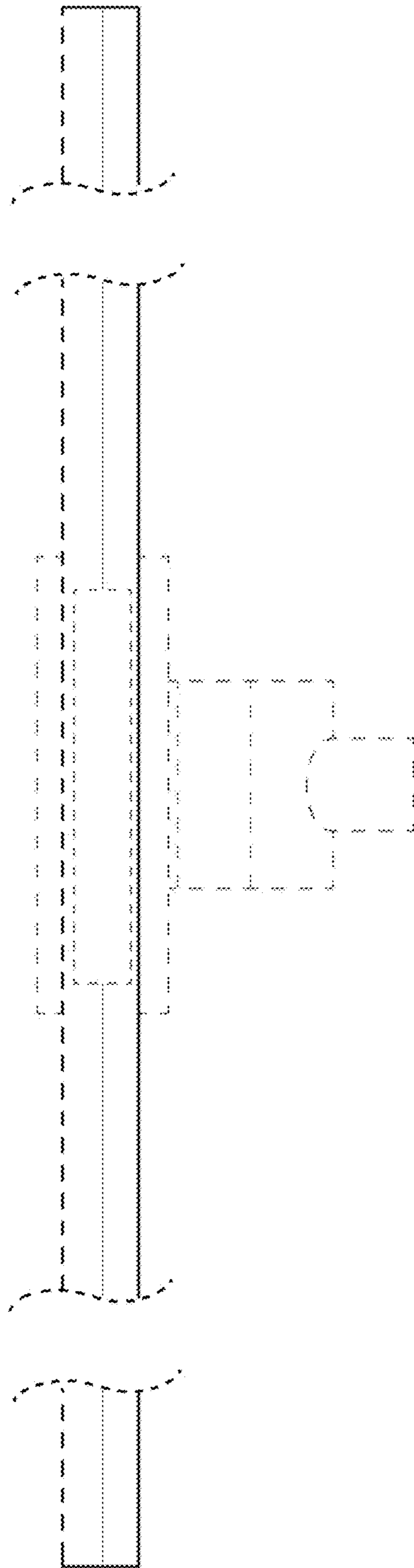


FIG. 4

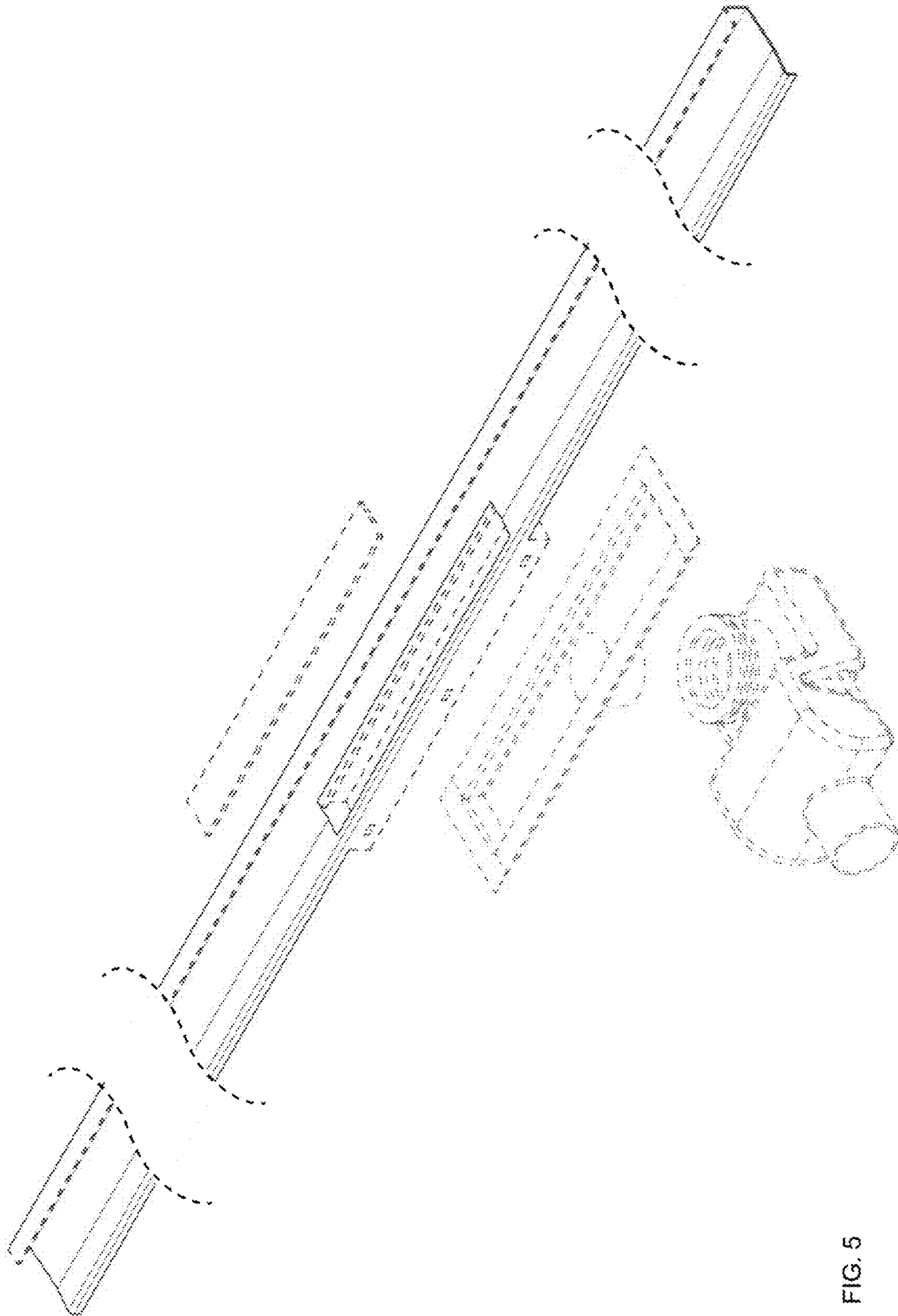


FIG. 5

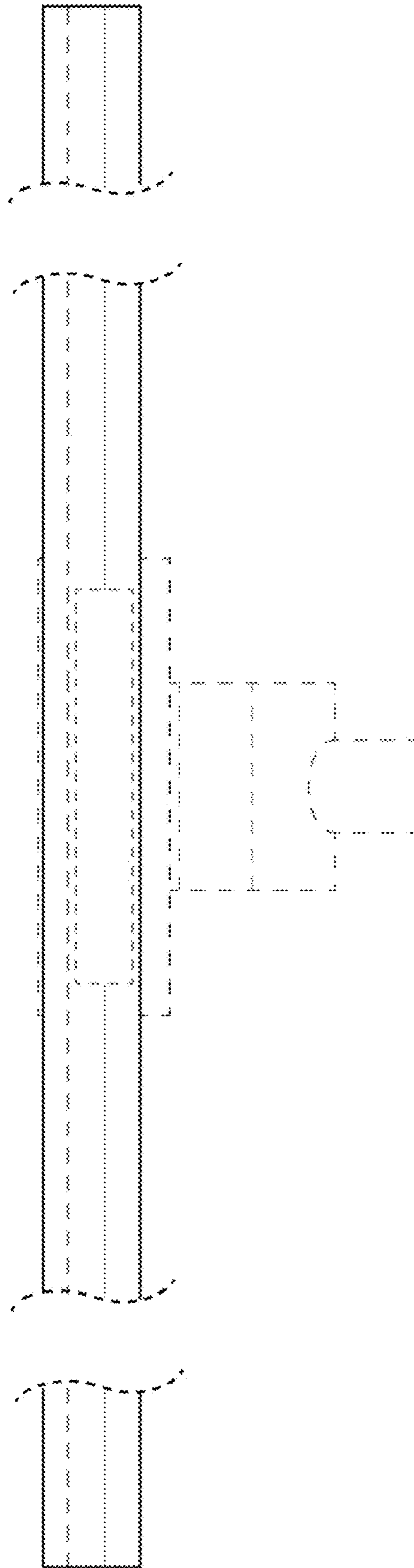


FIG. 6

UNITED STATES PATENT AND TRADEMARK OFFICE
CERTIFICATE OF CORRECTION

PATENT NO. : D846,093 S
APPLICATION NO. : 29/660443
DATED : April 16, 2019
INVENTOR(S) : Hendrik Peter Jozeph Keizers

Page 1 of 1

It is certified that error appears in the above-identified patent and that said Letters Patent is hereby corrected as shown below:

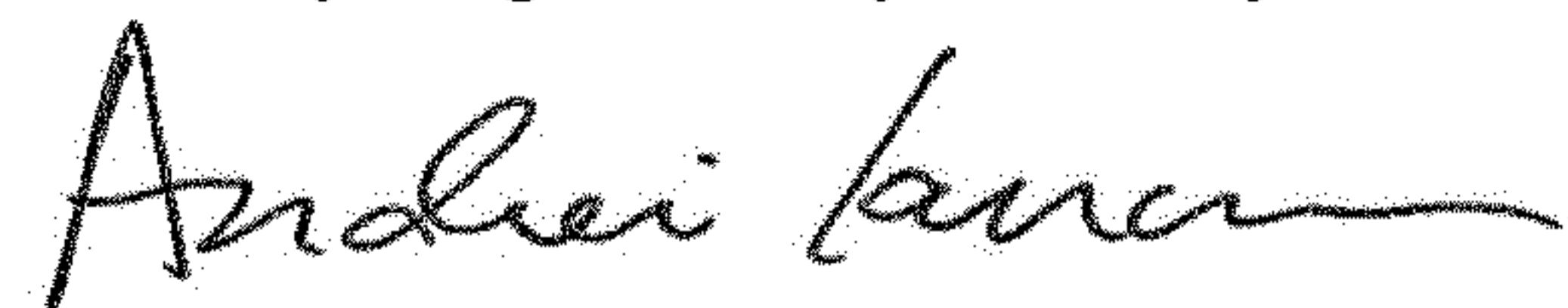
On the Title Page

Between Items (22) and (30) it should read:

Related U.S. Application Data

(62) Division of application No. 29/614,395, filed on Aug. 18, 2017.

Signed and Sealed this
Twenty-eighth Day of May, 2019



Andrei Iancu
Director of the United States Patent and Trademark Office