



US00D846089S

(12) **United States Design Patent**
Naber

(10) **Patent No.:** **US D846,089 S**

(45) **Date of Patent:** **** Apr. 16, 2019**

(54) **PIPE FITTING**

F16L 55/027; F16L 5/00; F16K 15/03;
F16K 43/001; F16K 43/003

(71) Applicant: **Naber Holding GmbH & Co. KG**,
Nordhorn (DE)

See application file for complete search history.

(72) Inventor: **Joachim Naber**, Nordhorn (DE)

(56) **References Cited**

(73) Assignee: **Naber Holding GmbH & Co. KG**
(DE)

U.S. PATENT DOCUMENTS

(**) Term: **15 Years**

3,920,271	A *	11/1975	Bluestone	F16L 43/001 285/148.22
6,230,418	B1 *	5/2001	Gomulinski	D06F 58/04 285/181
6,273,145	B1 *	8/2001	Botting	F16L 43/00 138/156
D552,219	S *	10/2007	Beutler	D23/267
D552,221	S *	10/2007	Beutler	D23/267
D552,718	S *	10/2007	Mayer	D23/259
8,201,369	B2 *	6/2012	Coughlin	F16L 5/00 285/179
2011/0079308	A1 *	4/2011	Morton	F23J 13/00 138/39

(21) Appl. No.: **29/639,559**

(22) Filed: **Mar. 7, 2018**

(Continued)

(30) **Foreign Application Priority Data**

Primary Examiner — Karen E Kearney

Assistant Examiner — Amy C Wierenga

Sep. 14, 2017 (EP) 004353555

(74) *Attorney, Agent, or Firm* — Polsinelli PC

(51) **LOC (11) Cl.** **23-01**

(52) **U.S. Cl.**
USPC **D23/259; D23/393; D32/25**

(57) **CLAIM**

(58) **Field of Classification Search**

USPC D23/259, 262–263, 265–266, 267,
D23/393–394; D24/129; 285/132.1,
285/133.11, 179, 179.1, 179.2, 125.1, 23,
285/122.1, 123.15, 123.16, 124.1, 124.5,
285/136.1, 226, 183, 397, 423–424;
D25/121–125; 454/241, 243, 261–265,
454/267–268, 359, 903; 138/37–44, 109,
138/111, 115–117, 121, 156, 162–163,
138/166–168, 173; 52/220.3, 220.8, 16;
D32/25

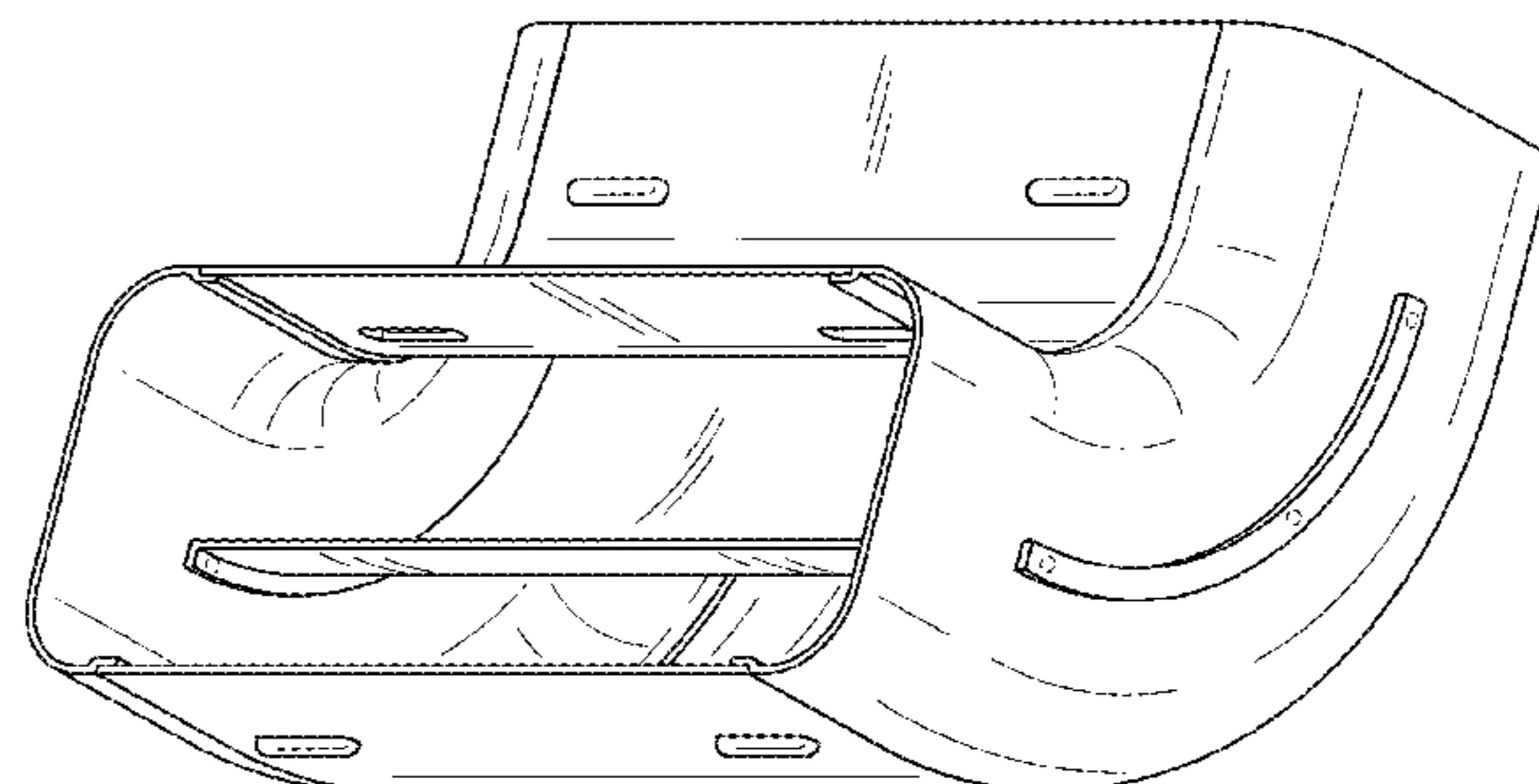
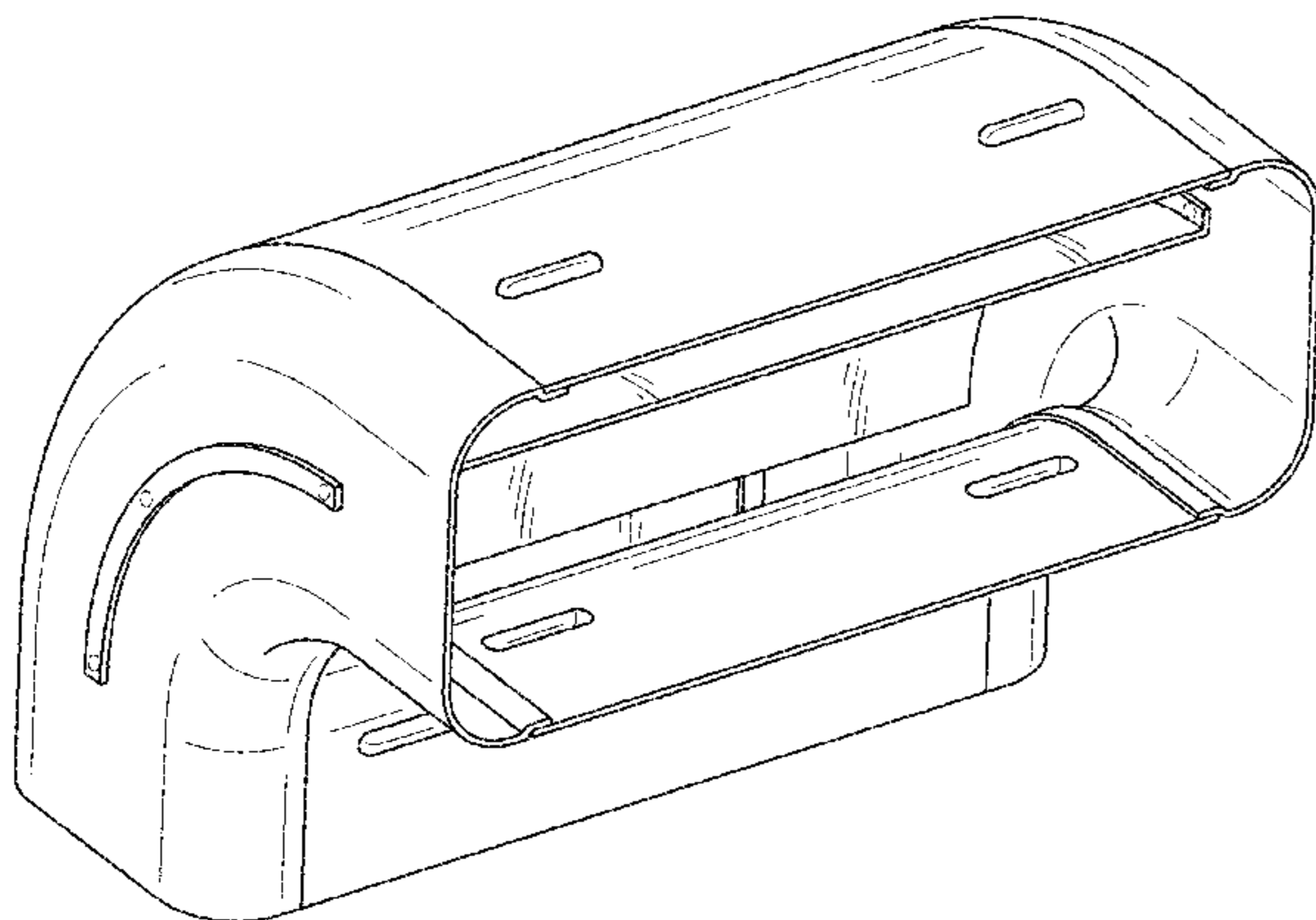
The ornamental design for a pipe fitting, as shown and described.

DESCRIPTION

CPC F16L 43/001; F16L 43/002; F16L 43/008;
F16L 21/005; F16L 21/002; F16L 21/08;
F16L 21/06; F16L 21/04; F16L 9/22;
F16L 9/16; F16L 9/003; F16L 37/0985;
F16L 55/07; F16L 43/00; F16L 27/11;

FIG. 1 is a perspective view of the pipe fitting;
FIG. 2 is a bottom perspective view of the pipe fitting;
FIG. 3 is a front view of the pipe fitting;
FIG. 4 is a rear view of the pipe fitting;
FIG. 5 is a left side view of the pipe fitting;
FIG. 6 is a right side view of the pipe fitting;
FIG. 7 is a top view of the pipe fitting; and,
FIG. 8 is a bottom view of the pipe fitting.

(Continued)



The broken lines showing in the figures are included for the purpose of illustrating portions of the pipe fitting that form no part of the claimed design.

1 Claim, 6 Drawing Sheets

(56) **References Cited**

U.S. PATENT DOCUMENTS

2011/0173897	A1*	7/2011	Schneider	E04D 13/08 52/16
2014/0166144	A1*	6/2014	Parkin	F16L 55/00 138/109

* cited by examiner

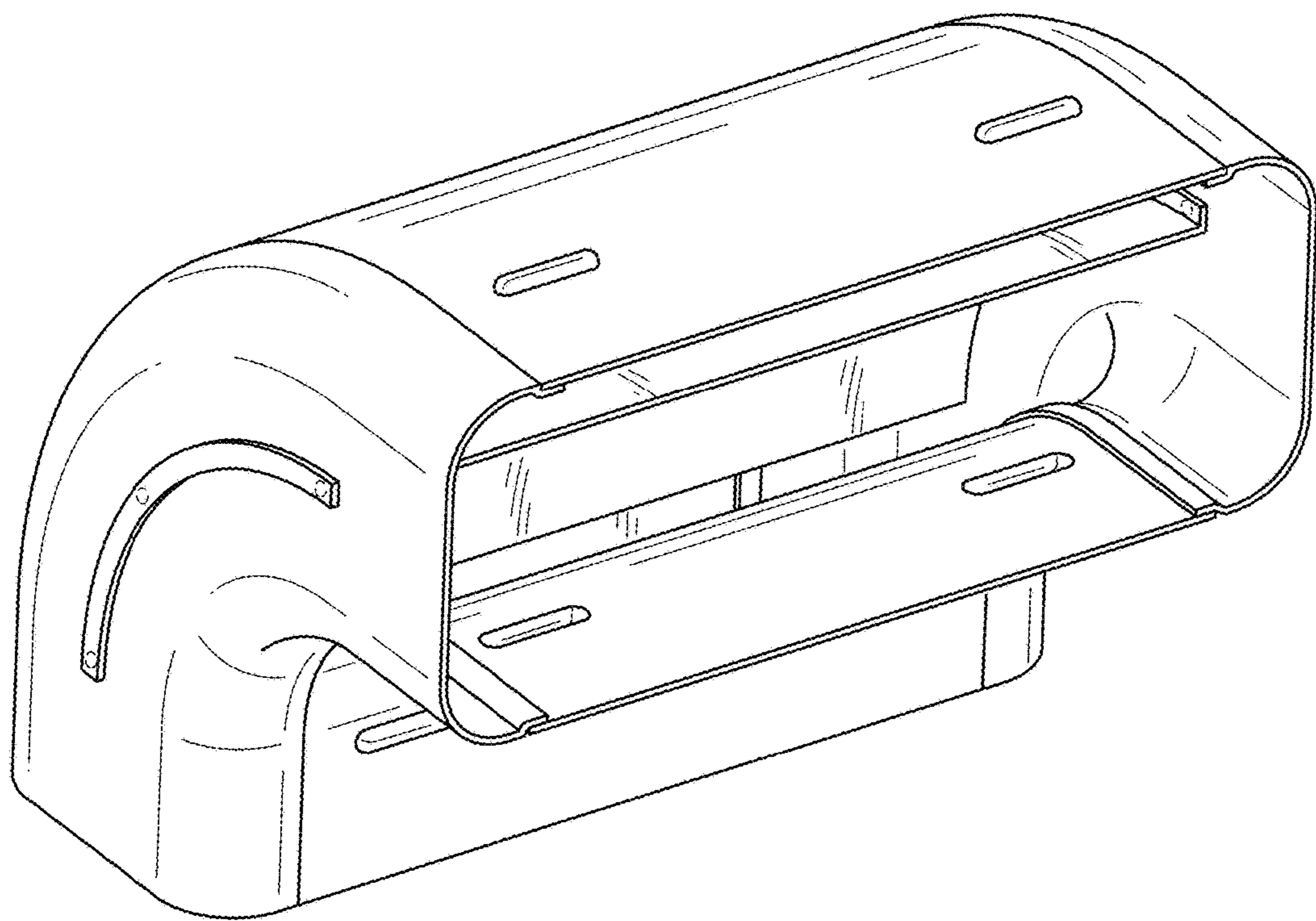


FIG. 1

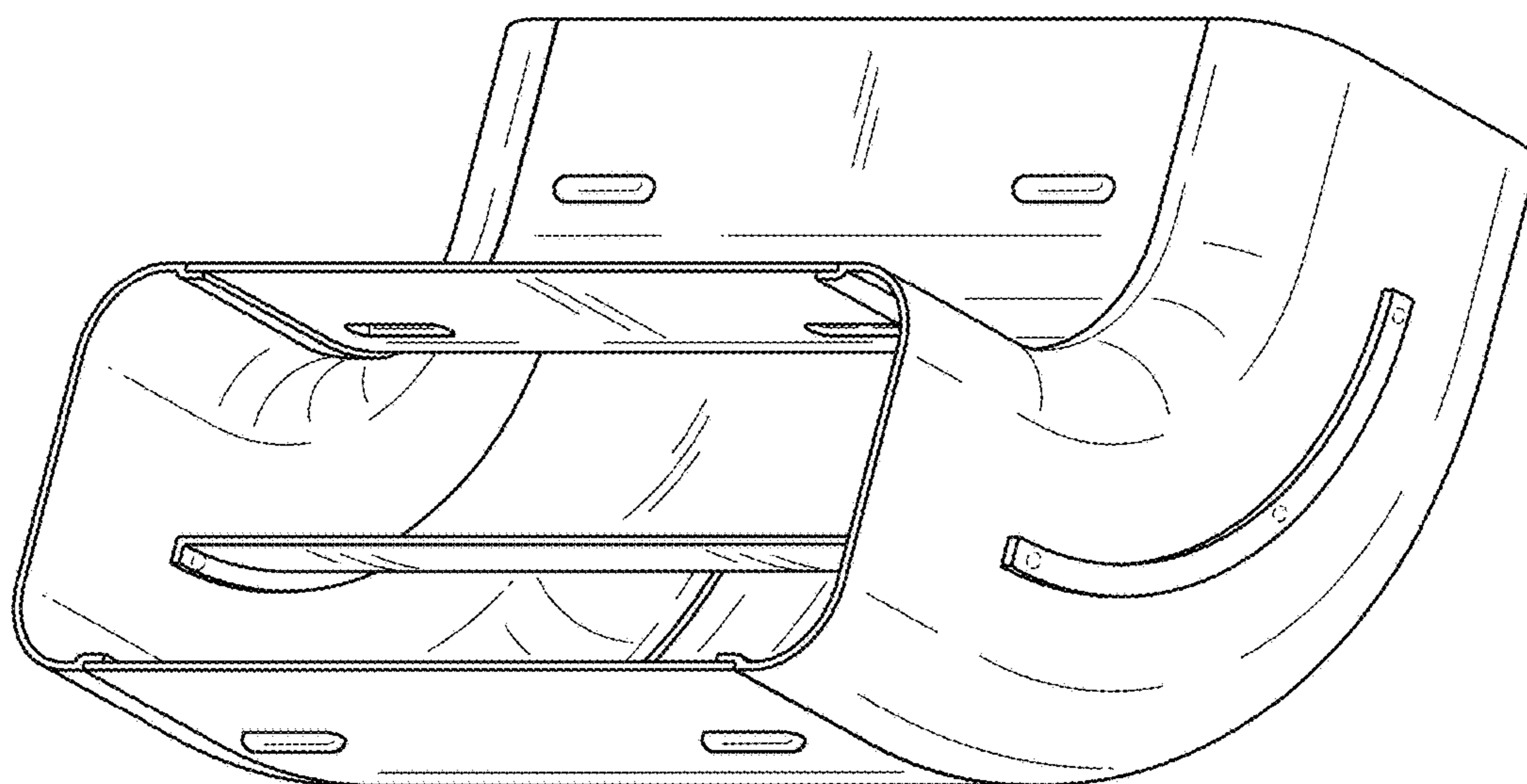


FIG. 2

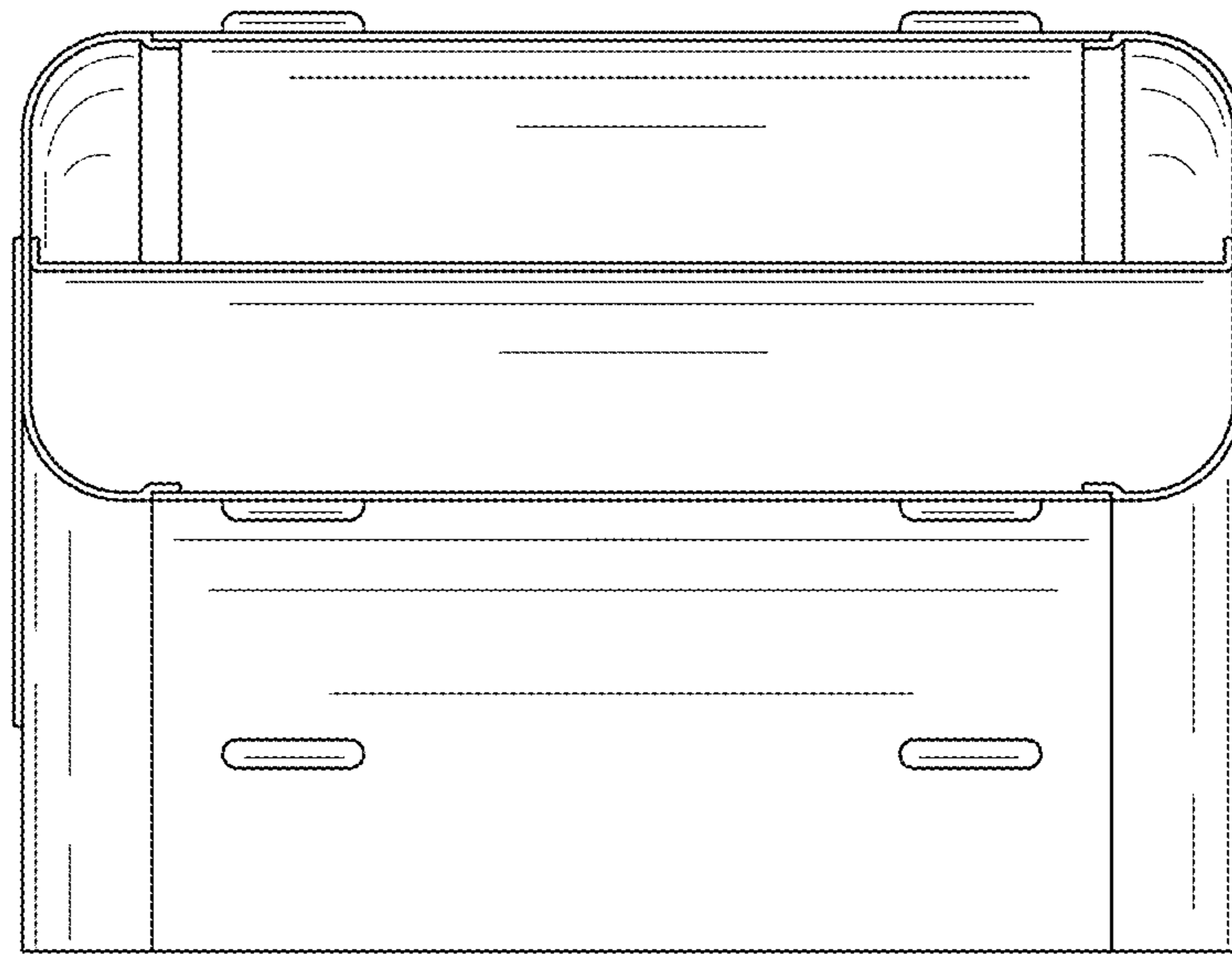


FIG. 3

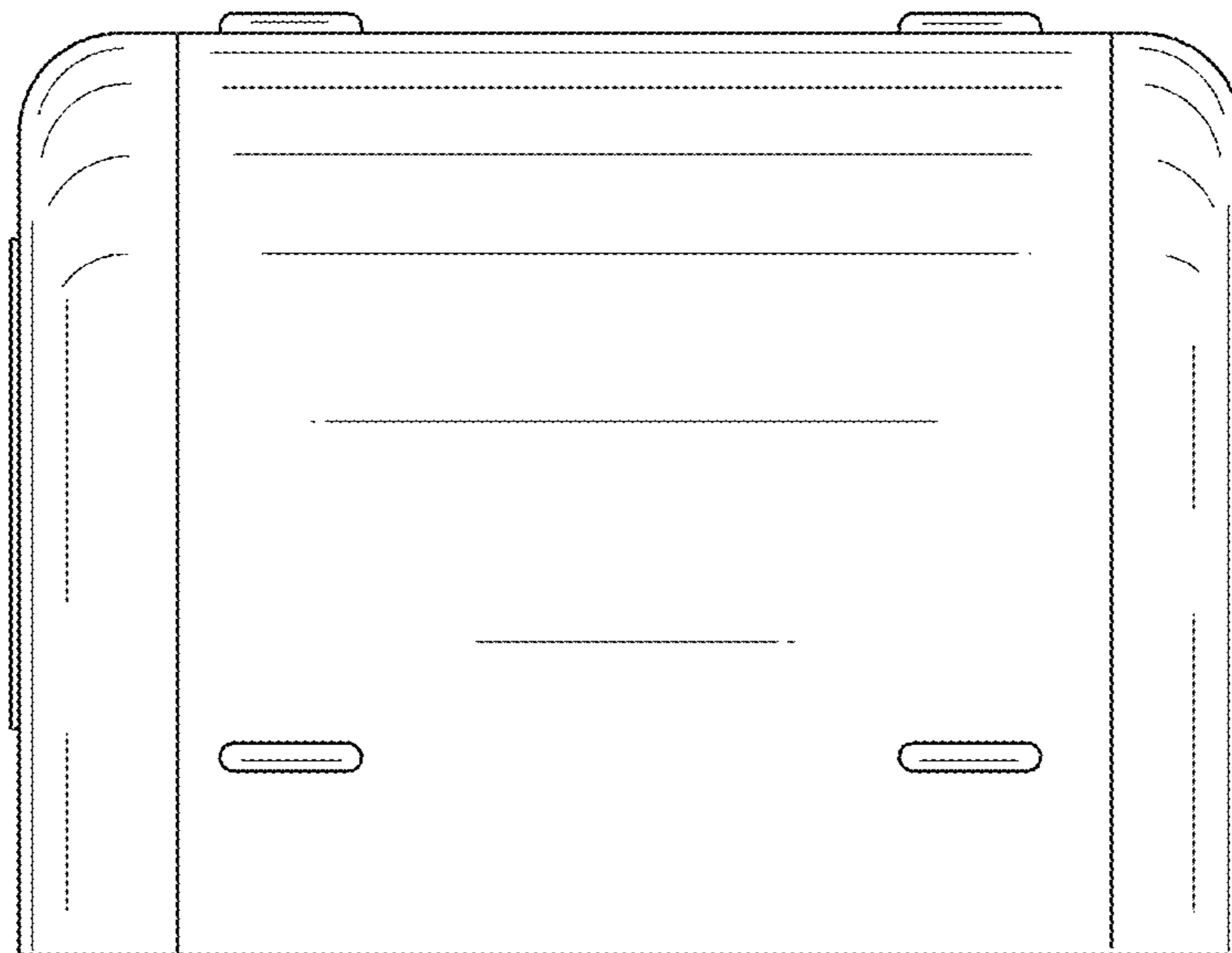
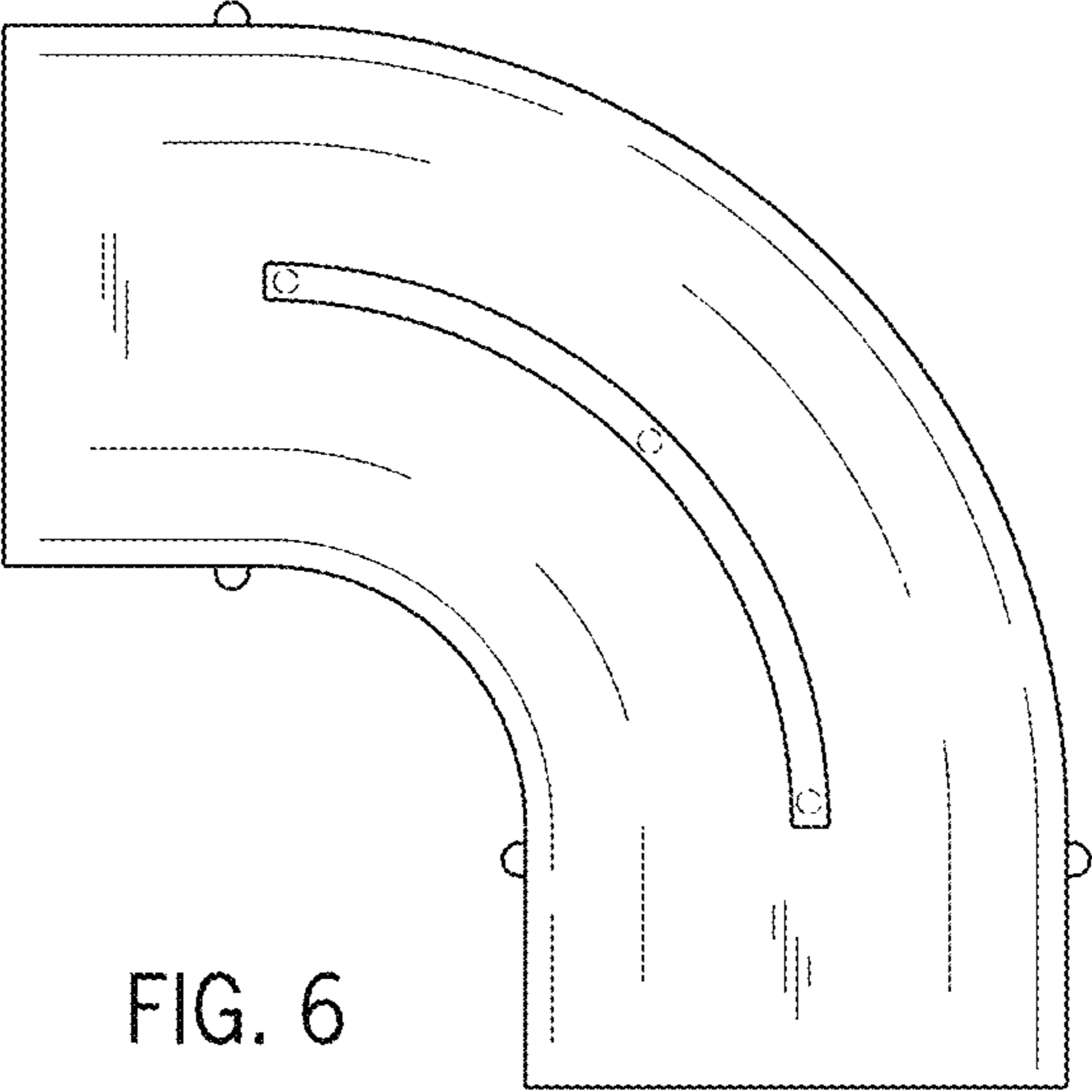
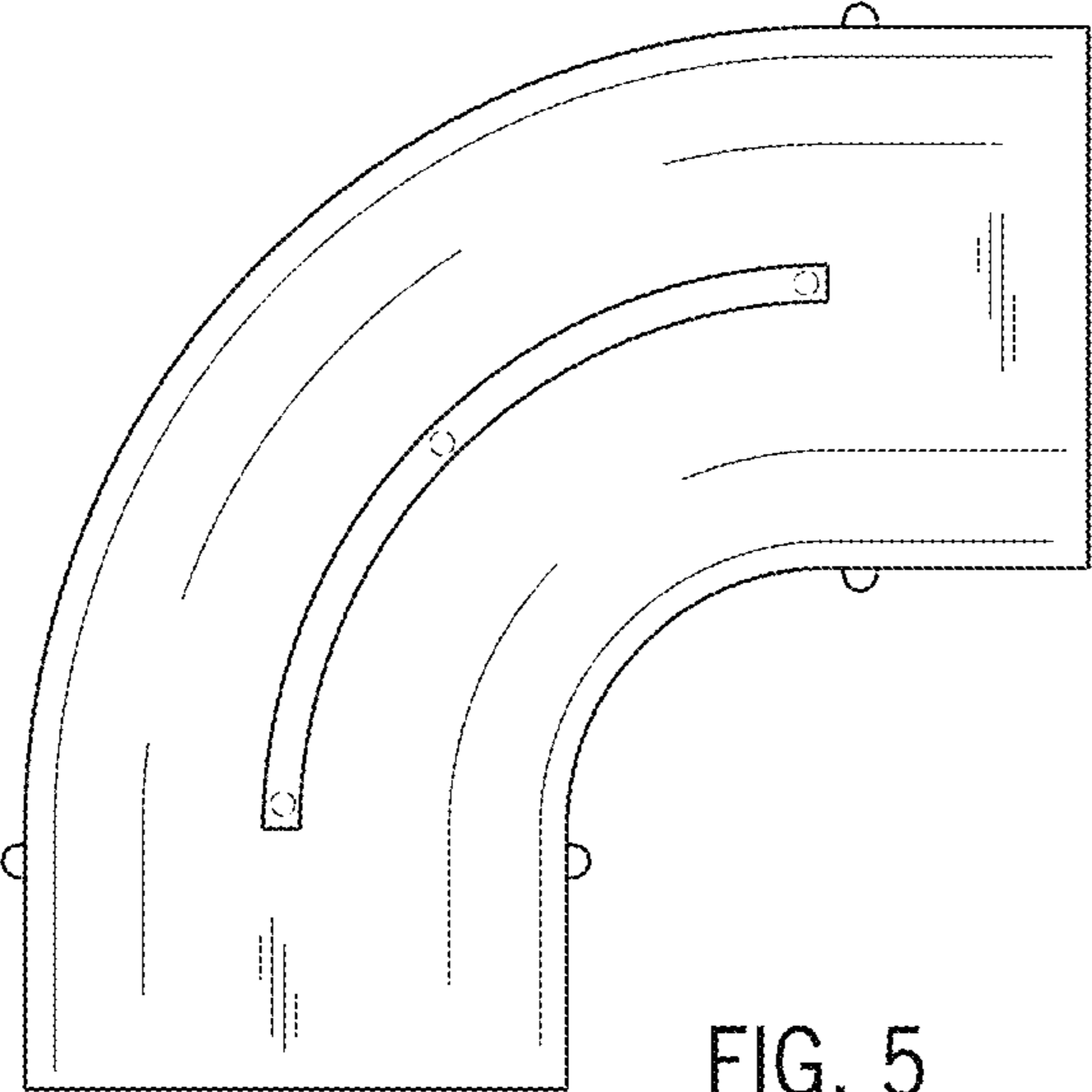


FIG. 4



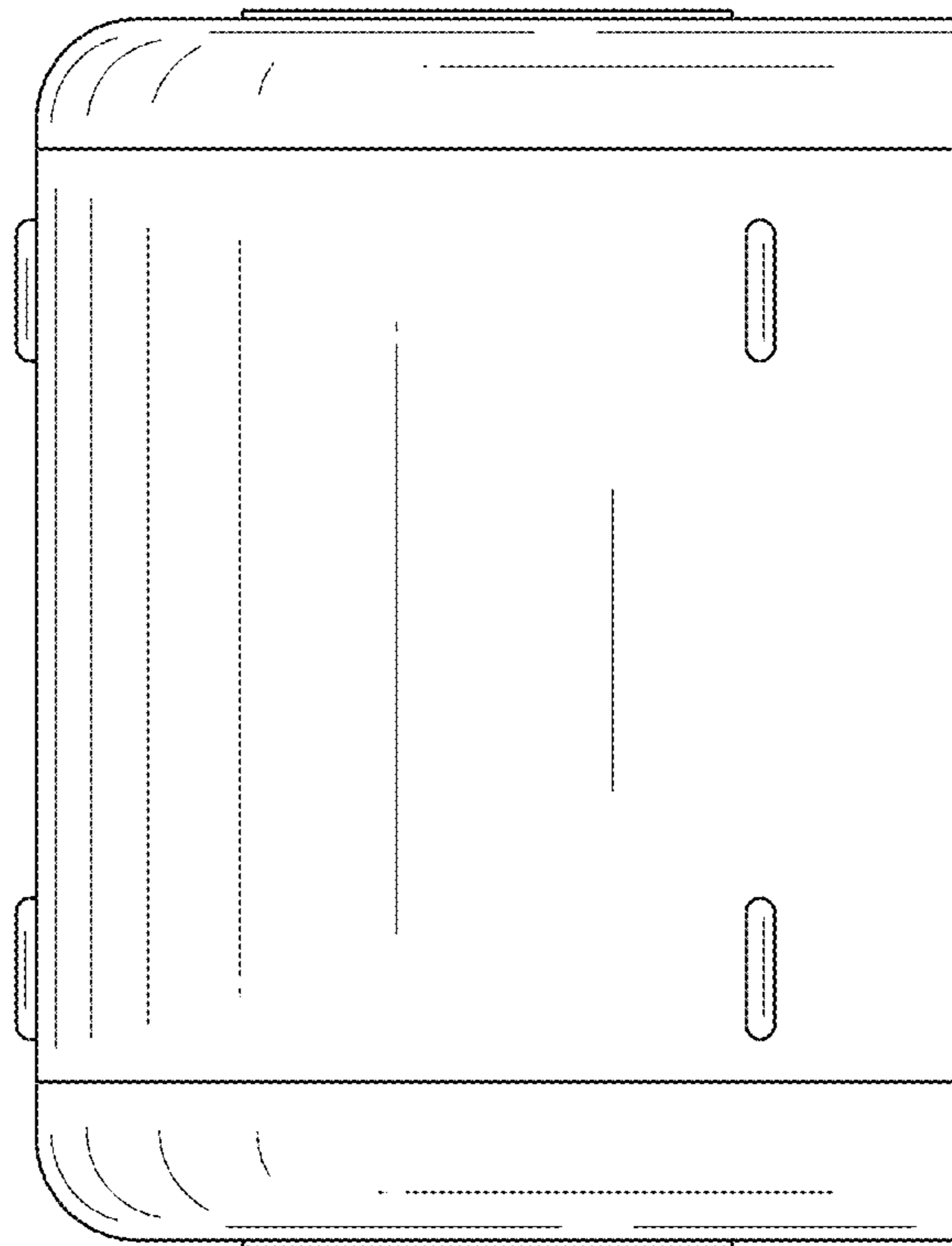


FIG. 7

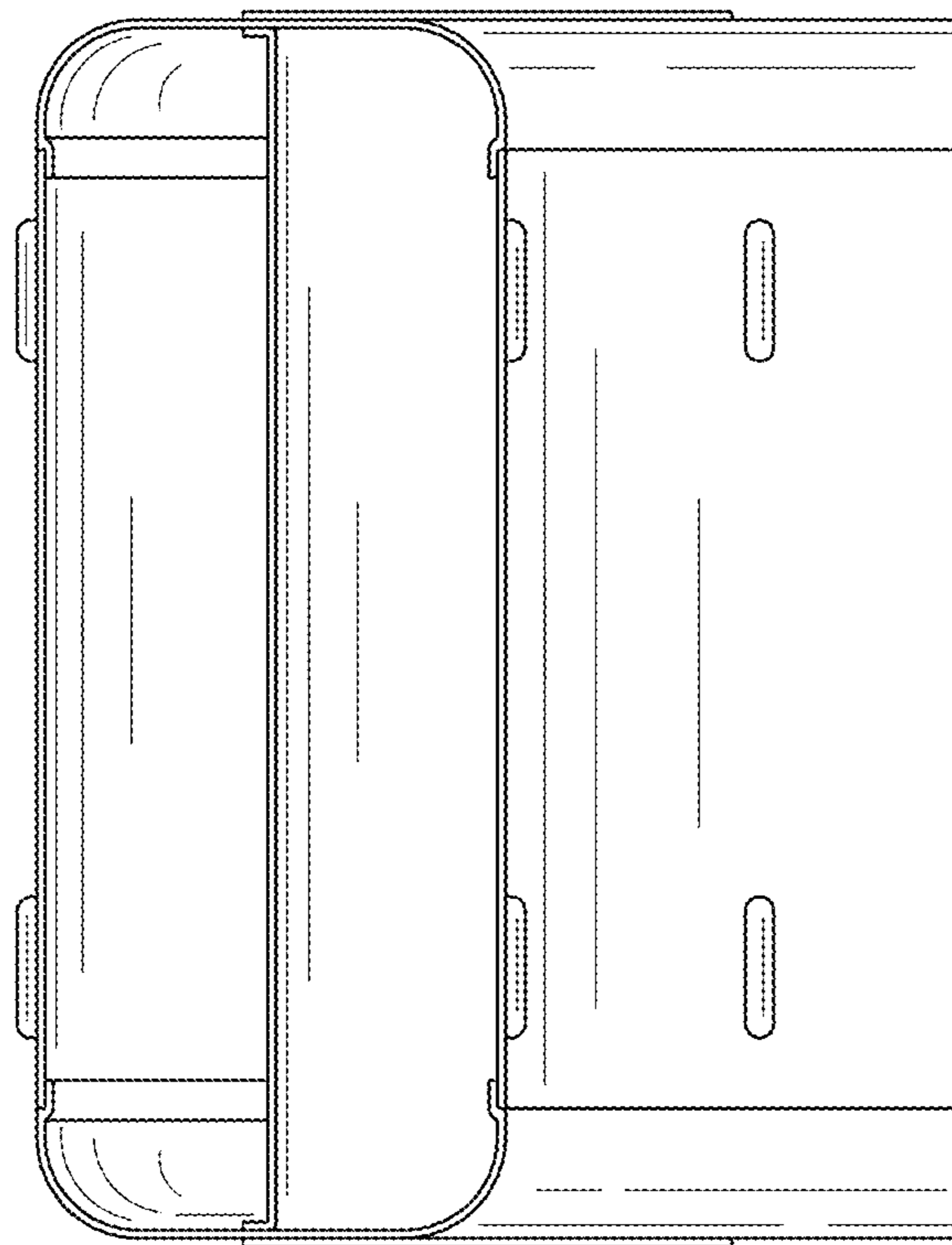


FIG. 8