



US00D846088S

(12) **United States Design Patent** (10) **Patent No.:** **US D846,088 S**  
**Naber** (45) **Date of Patent:** **\*\* Apr. 16, 2019**

(54) **PIPE FITTING**

(71) Applicant: **Naber Holding GmbH & Co. KG**,  
Nordhorn (DE)

(72) Inventor: **Joachim Naber**, Nordhorn (DE)

(73) Assignee: **NABER HOLDING GMBH & CO.**  
**KG** (DE)

(\*\*) Term: **15 Years**

(21) Appl. No.: **29/639,557**

(22) Filed: **Mar. 7, 2018**

(30) **Foreign Application Priority Data**

Sep. 14, 2017 (EP) ..... 004353555

(51) **LOC (11) Cl.** ..... **23-01**

(52) **U.S. Cl.**  
USPC ..... **D23/259; D23/393; D32/25**

(58) **Field of Classification Search**

USPC ..... D23/259, 262–263, 265–266, 267,  
D23/393–394; D24/129; 285/132.1,  
285/133.11, 179, 179.1, 179.2, 125.1, 23,  
285/122.1, 123.15, 123.16, 124.1, 124.5,  
285/136.1, 226, 183, 397, 423–424;  
D25/121–125; 454/241, 243, 261–265,  
454/267–268, 359, 903; 138/37–44, 109,  
138/111, 115–117, 121, 156, 162–163,  
138/166–168, 173; 52/220.3, 220.8, 16;  
D32/25

CPC ..... F16L 43/001; F16L 43/002; F16L 43/008;  
F16L 21/005; F16L 21/002; F16L 21/08;  
F16L 21/06; F16L 21/04; F16L 9/22;  
F16L 9/16; F16L 9/003; F16L 37/0985;  
F16L 55/07; F16L 43/00; F16L 27/11;  
F16L 55/027; F16L 5/00; F16K 15/03;  
F16K 43/001; F16K 43/003

See application file for complete search history.

(56) **References Cited**

U.S. PATENT DOCUMENTS

3,920,271	A *	11/1975	Bluestone	.....	F16L 43/001 285/148.22
6,230,418	B1 *	5/2001	Gomulinski	.....	D06F 58/04 285/181
6,478,499	B1 *	11/2002	Fugman	.....	H02G 3/0425 285/145.2
D552,220	S *	10/2007	Beutler	.....	D23/267
D552,221	S *	10/2007	Beutler	.....	D23/267
D555,232	S *	11/2007	Beutler	.....	D23/267
8,201,369	B2 *	6/2012	Coughlin	.....	F16L 5/00 285/179
2011/0079308	A1 *	4/2011	Morton	.....	F23J 13/00 138/39
2011/0173897	A1 *	7/2011	Schneider	.....	E04D 13/08 52/16

\* cited by examiner

*Primary Examiner* — Karen E Kearney

*Assistant Examiner* — Amy C Wierenga

(74) *Attorney, Agent, or Firm* — Polsinelli PC

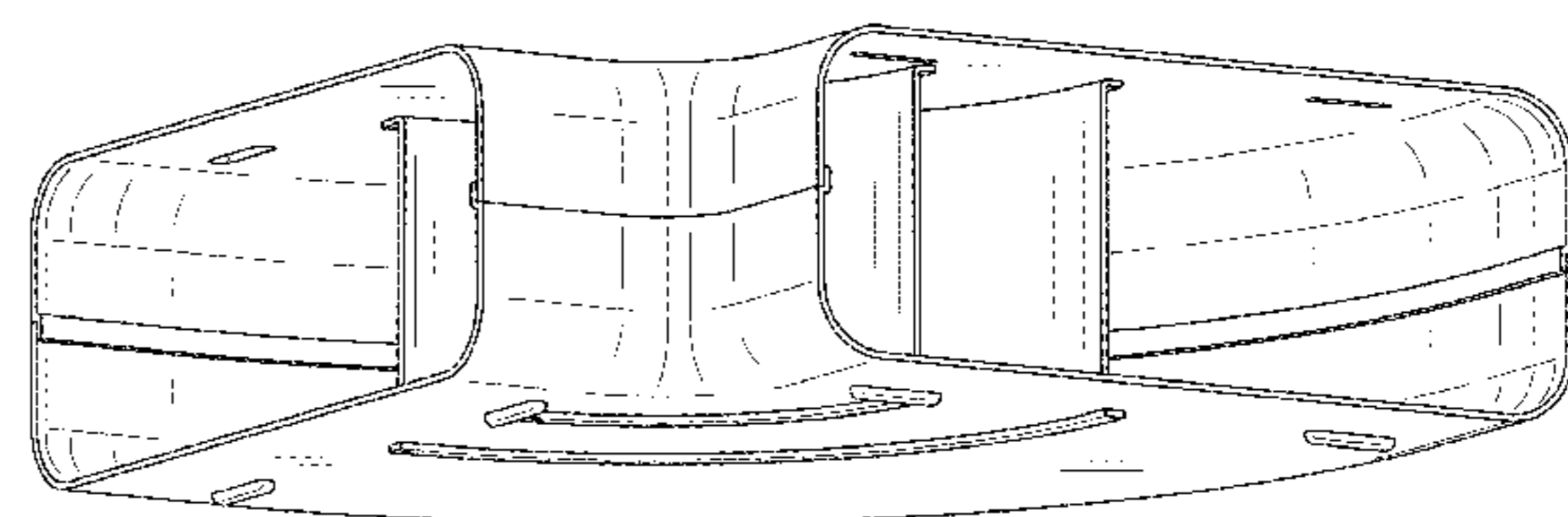
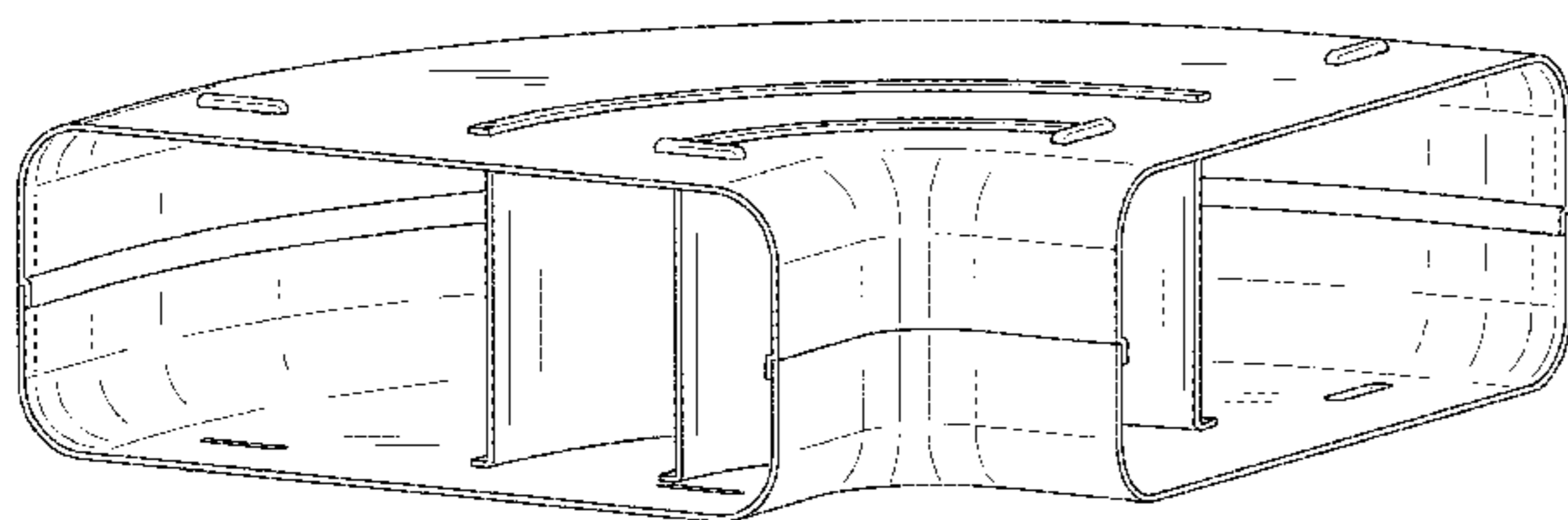
(57) **CLAIM**

The ornamental design for a pipe fitting, as shown and described.

**DESCRIPTION**

FIG. 1 is a perspective view of the pipe fitting;  
FIG. 2 is a bottom perspective view of the pipe fitting;  
FIG. 3 is a front view of the pipe fitting;  
FIG. 4 is a rear view of the pipe fitting;  
FIG. 5 is a right side view of the pipe fitting;  
FIG. 6 is a left side view of the pipe fitting;  
FIG. 7 is a top view of the pipe fitting; and,  
FIG. 8 is a bottom view of the pipe fitting.  
The broken lines showing in the figures are included for the purpose of illustrating portions of the pipe fitting that form no part of the claimed design.

**1 Claim, 6 Drawing Sheets**



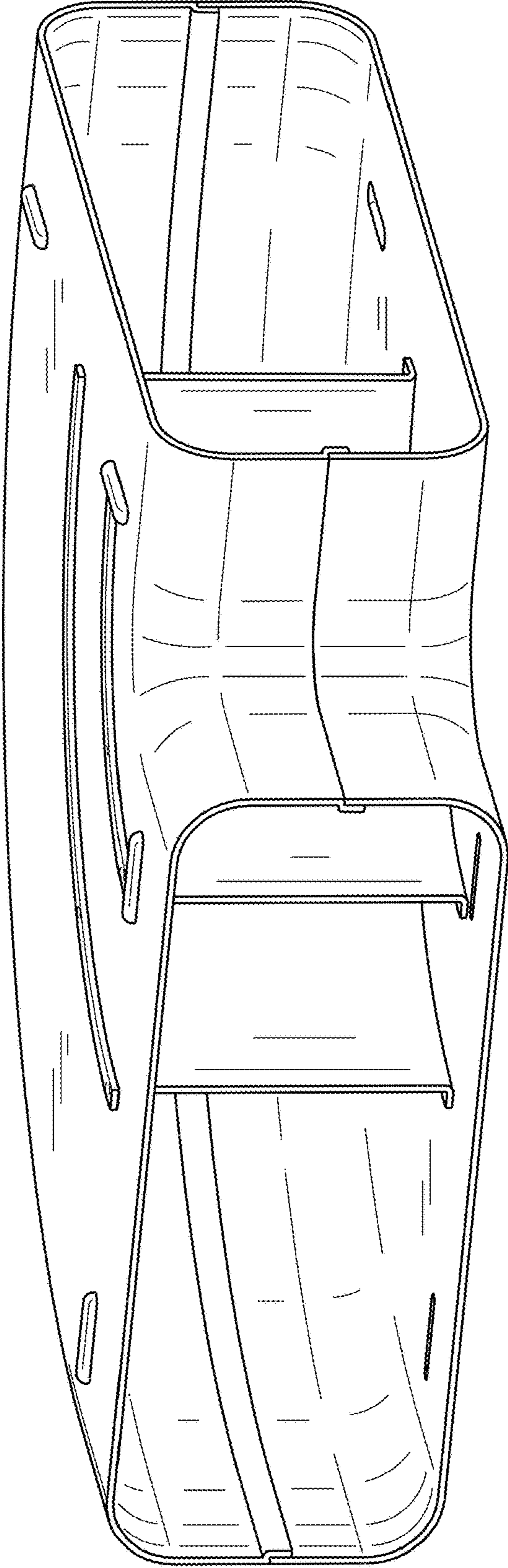


FIG. 1

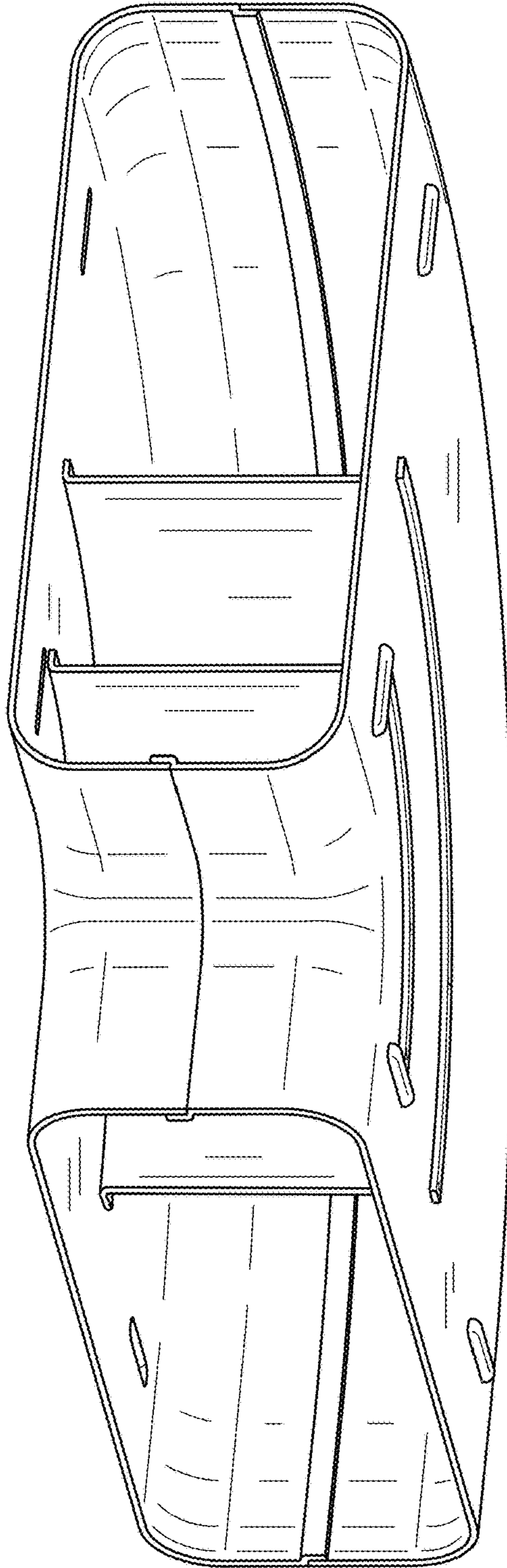


FIG. 2

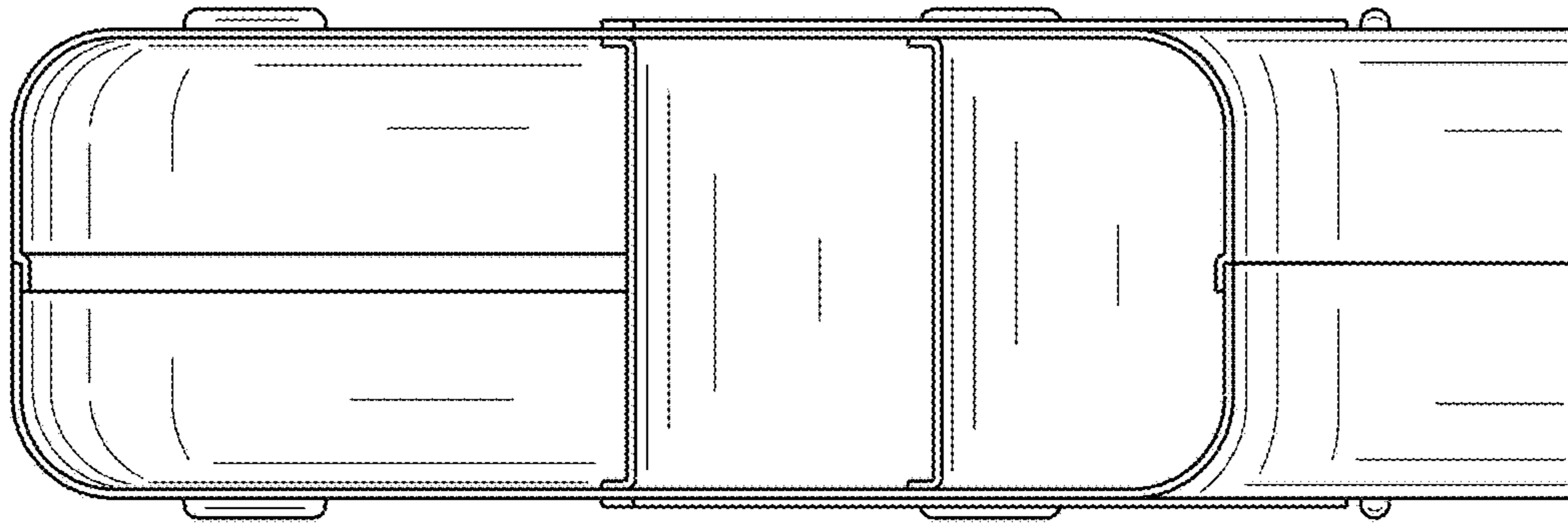


FIG. 3

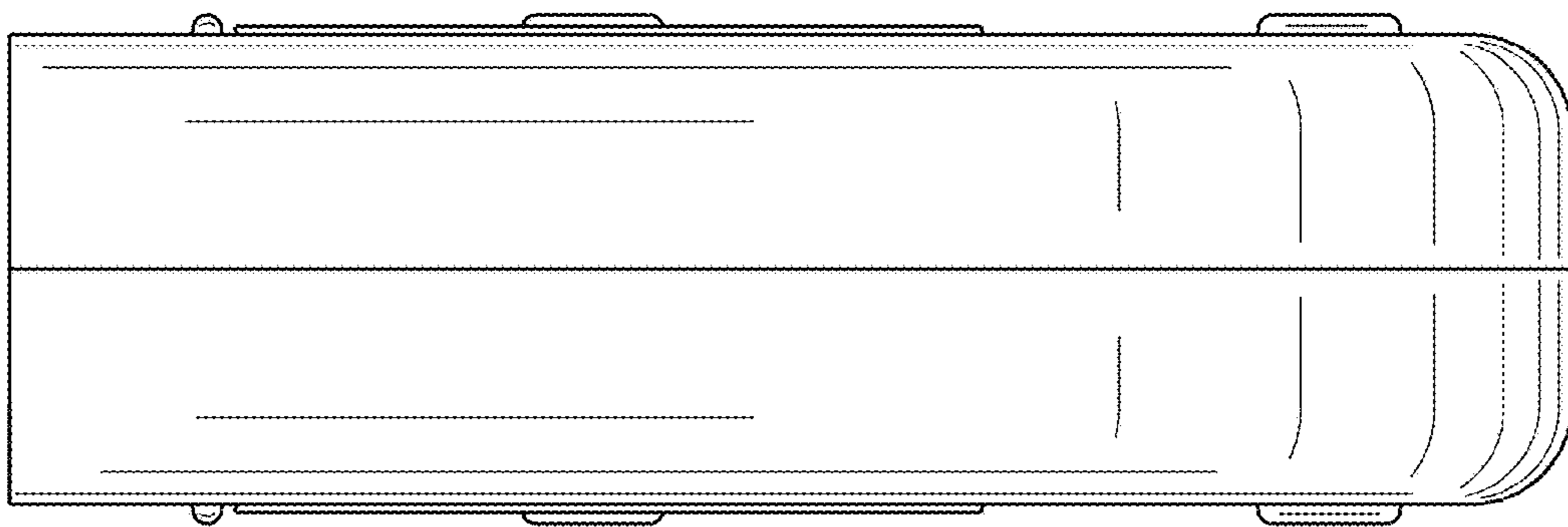


FIG. 4

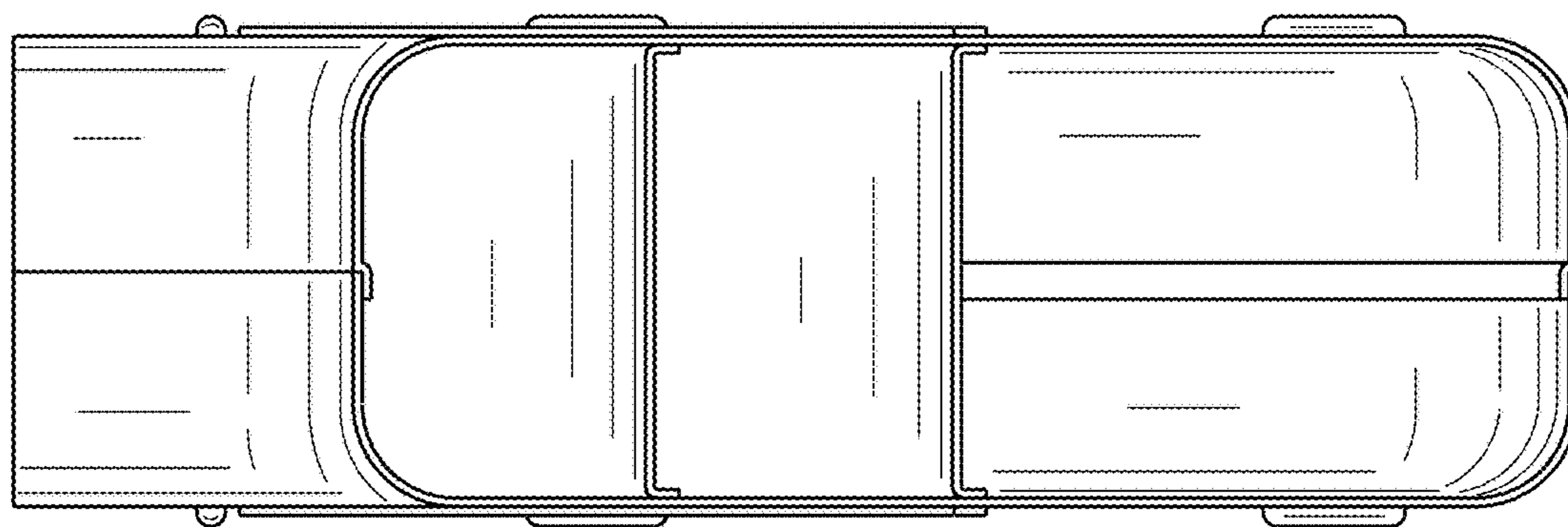


FIG. 5

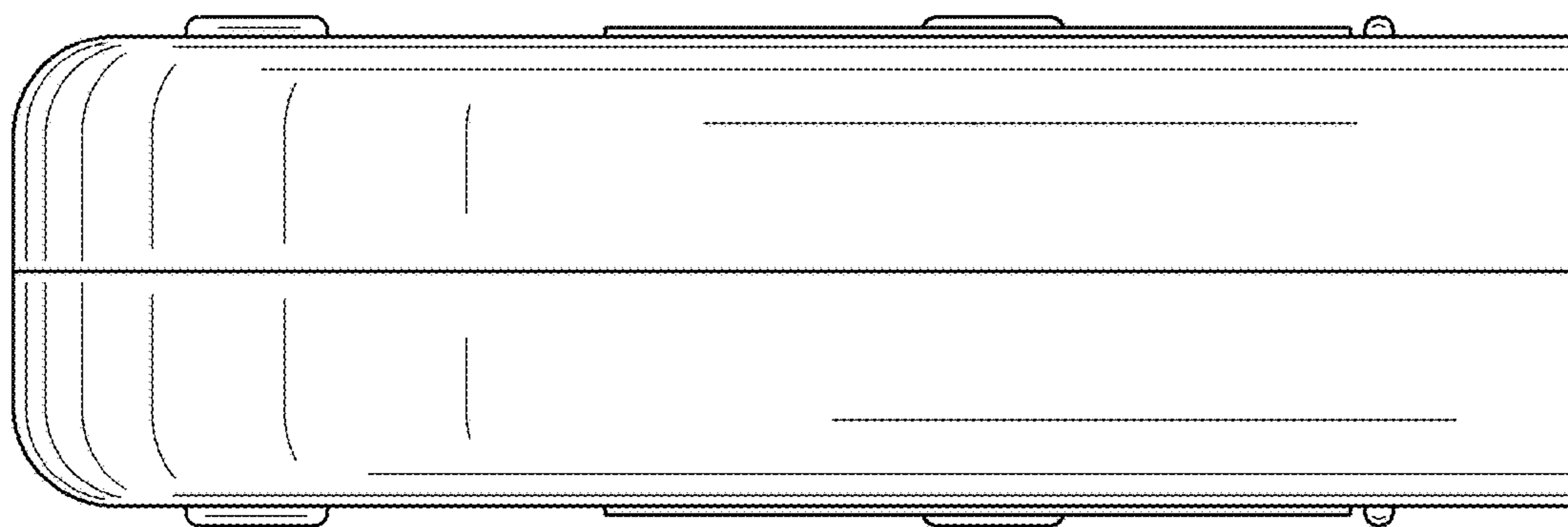


FIG. 6

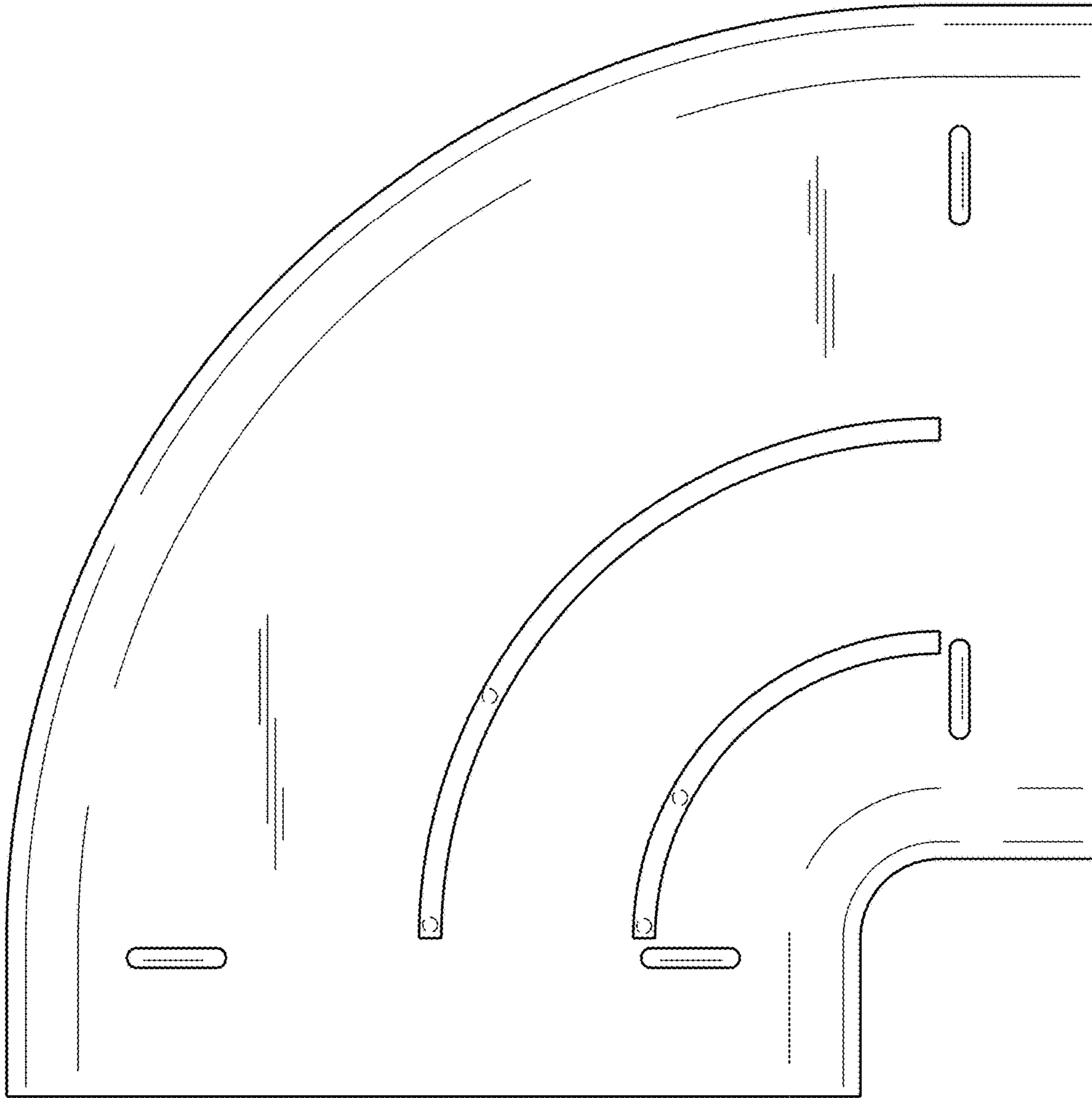


FIG. 7

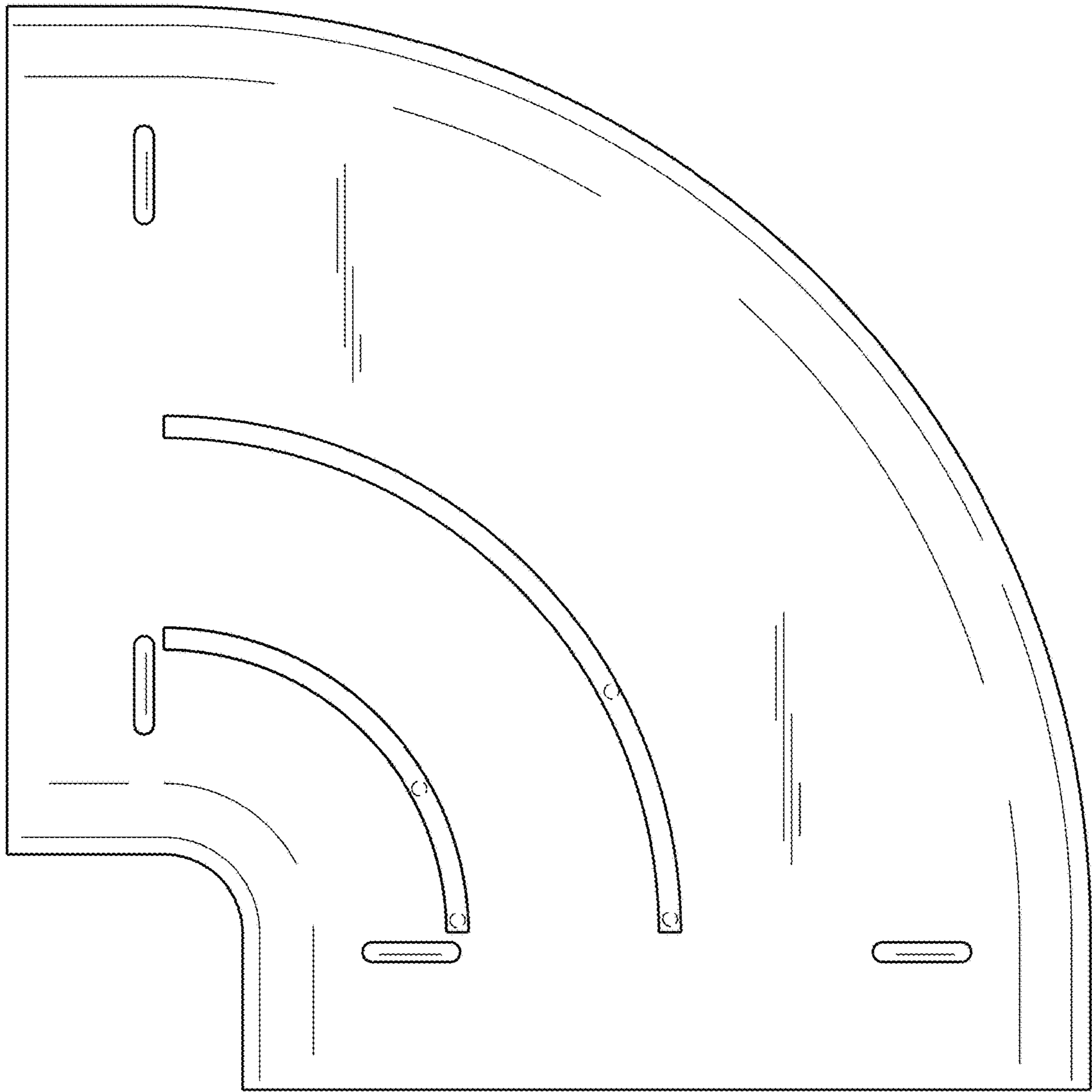


FIG. 8