



US00D846087S

(12) **United States Design Patent**  
**Naber**

(10) **Patent No.:** **US D846,087 S**  
(45) **Date of Patent:** **\*\* Apr. 16, 2019**

(54) **PIPE FITTING**

F16L 55/027; F16L 5/00; F16K 15/03;  
F16K 43/001; F16K 43/003

See application file for complete search history.

(71) Applicant: **Naber Holding GmbH & Co. KG**,  
Nordhorn (DE)

(72) Inventor: **Joachim Naber**, Nordhorn (DE)

(73) Assignee: **Naber Holding GmbH & Co. KG**  
(DE)

(\*\*) Term: **15 Years**

(21) Appl. No.: **29/639,555**

(22) Filed: **Mar. 7, 2018**

(30) **Foreign Application Priority Data**

Sep. 14, 2017 (EM) ..... 004353555

(51) **LOC (11) Cl.** ..... **23-01**

(52) **U.S. Cl.**

USPC ..... **D23/259**; D23/393; D32/25

(58) **Field of Classification Search**

USPC ..... D23/259, 262-263, 265-266, 267,  
D23/393-394; D24/129; 285/132.1,  
285/133.11, 179, 179.1, 179.2, 125.1, 23,  
285/122.1, 123.15, 123.16, 124.1, 124.5,  
285/136.1, 226, 183, 397, 423-424;  
D25/121-125; 454/241, 243, 261-265,  
454/267-268, 359, 903; 138/37-44, 109,  
138/111, 115-117, 121, 156, 162-163,  
138/166-168, 173; 52/220.3, 220.8, 16;  
D32/25

CPC ..... F16L 43/001; F16L 43/002; F16L 43/008;  
F16L 21/005; F16L 21/002; F16L 21/08;  
F16L 21/06; F16L 21/04; F16L 9/22;  
F16L 9/16; F16L 9/003; F16L 37/0985;  
F16L 55/07; F16L 43/00; F16L 27/11;

(56) **References Cited**

U.S. PATENT DOCUMENTS

3,920,271	A *	11/1975	Bluestone	.....	F16L 43/001 285/148.22
D292,934	S *	11/1987	Alberico	.....	D23/259
D317,820	S *	6/1991	Buehler	.....	D23/403
6,230,418	B1 *	5/2001	Gomulinski	.....	D06F 58/04 285/181
D475,131	S *	5/2003	Pilger	.....	D23/393
D476,074	S *	6/2003	Stout, Jr.	.....	D23/266
6,830,065	B2 *	12/2004	Sinur	.....	F16K 15/03 137/527.8
D528,646	S *	9/2006	Stout, Jr.	.....	D23/393
D552,718	S *	10/2007	Mayer	.....	D23/259
7,338,095	B1 *	3/2008	Karnes	.....	F16L 41/02 24/16 PB
7,556,009	B2 *	7/2009	Niakan	.....	F02B 27/00 123/184.21

(Continued)

*Primary Examiner* — Karen E Kearney

*Assistant Examiner* — Amy C Wierenga

(74) *Attorney, Agent, or Firm* — Polsinelli PC

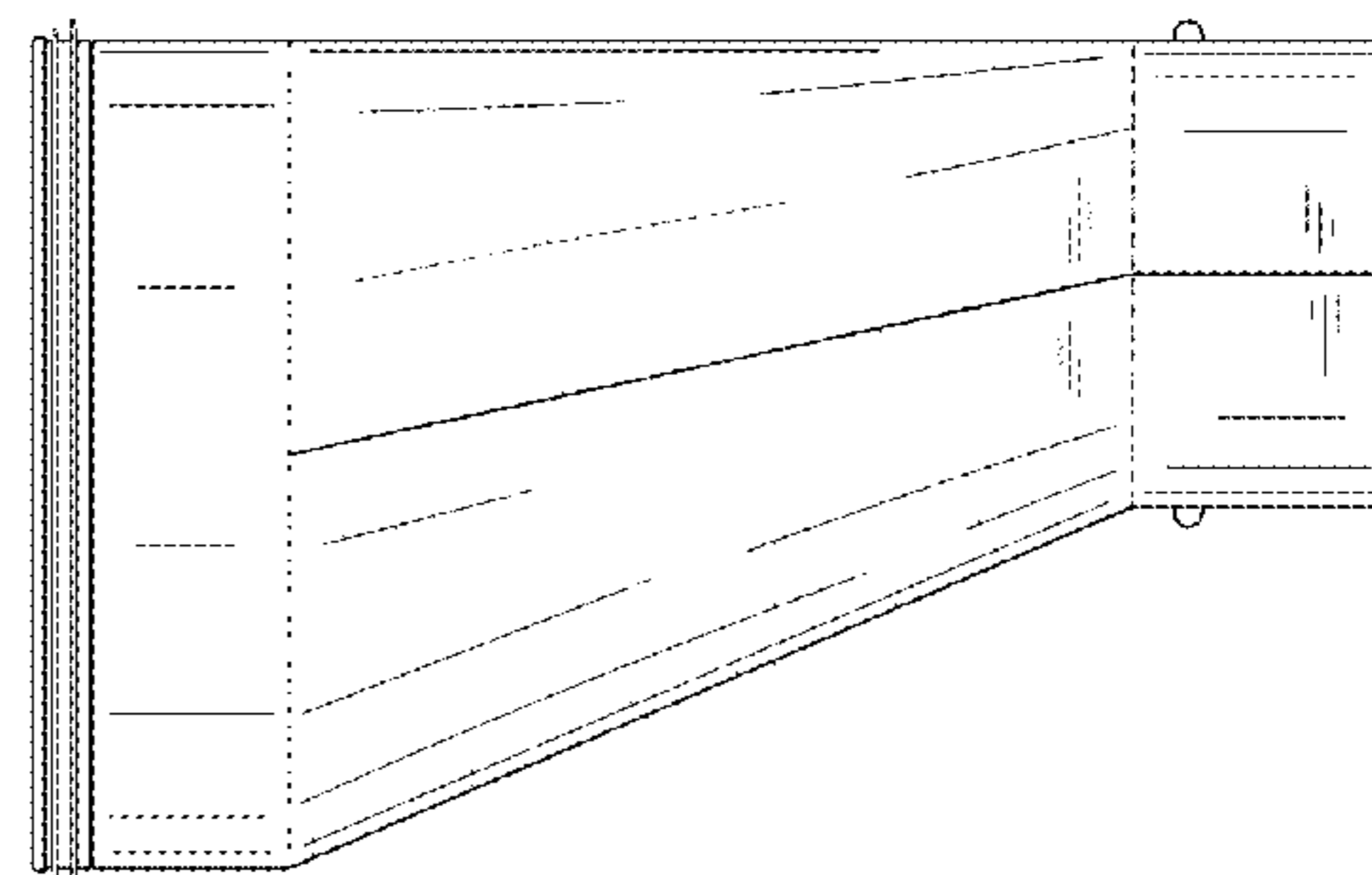
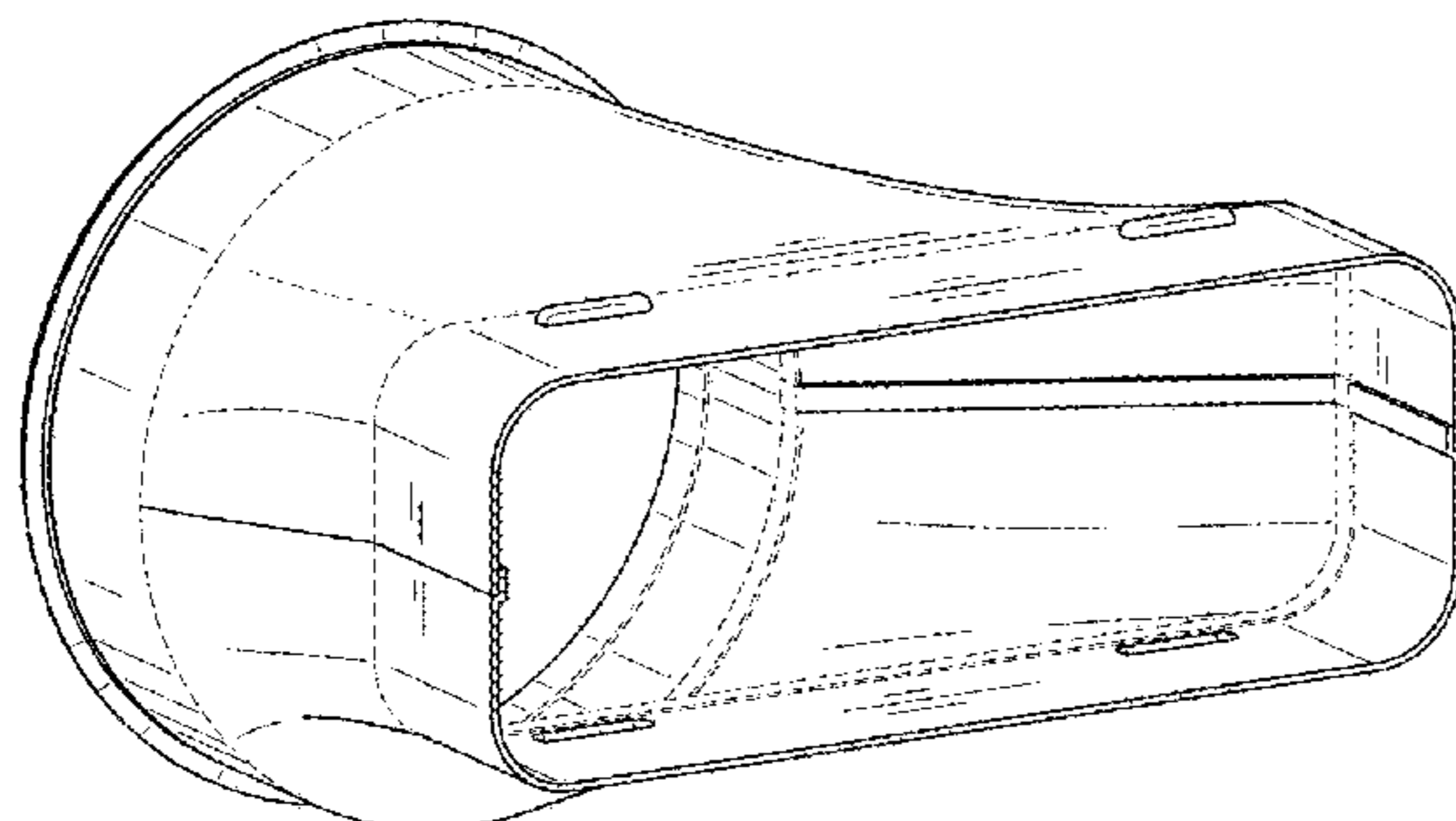
(57) **CLAIM**

The ornamental design for a pipe fitting, as shown and described.

**DESCRIPTION**

FIG. 1 is a perspective view of the pipe fitting;  
FIG. 2 is a rear perspective view of the pipe fitting;  
FIG. 3 is a front view of the pipe fitting;  
FIG. 4 is a rear view of the pipe fitting;  
FIG. 5 is a right side view of the pipe fitting;  
FIG. 6 is a left side view of the pipe fitting;  
FIG. 7 is a top view of the pipe fitting; and,  
FIG. 8 is a bottom view of the pipe fitting.

(Continued)



The broken lines showing in the figures are included for the purpose of illustrating portions of the pipe fitting that form no part of the claimed design.

**1 Claim, 6 Drawing Sheets**

(56) **References Cited**

U.S. PATENT DOCUMENTS

8,201,369	B2 *	6/2012	Coughlin .....	F16L 5/00 285/179
D669,570	S *	10/2012	Penlesky .....	D23/393
D761,397	S *	7/2016	DeNooy .....	D23/262
2006/0199505	A1 *	9/2006	Fettkether .....	F24F 13/0218 454/232

\* cited by examiner

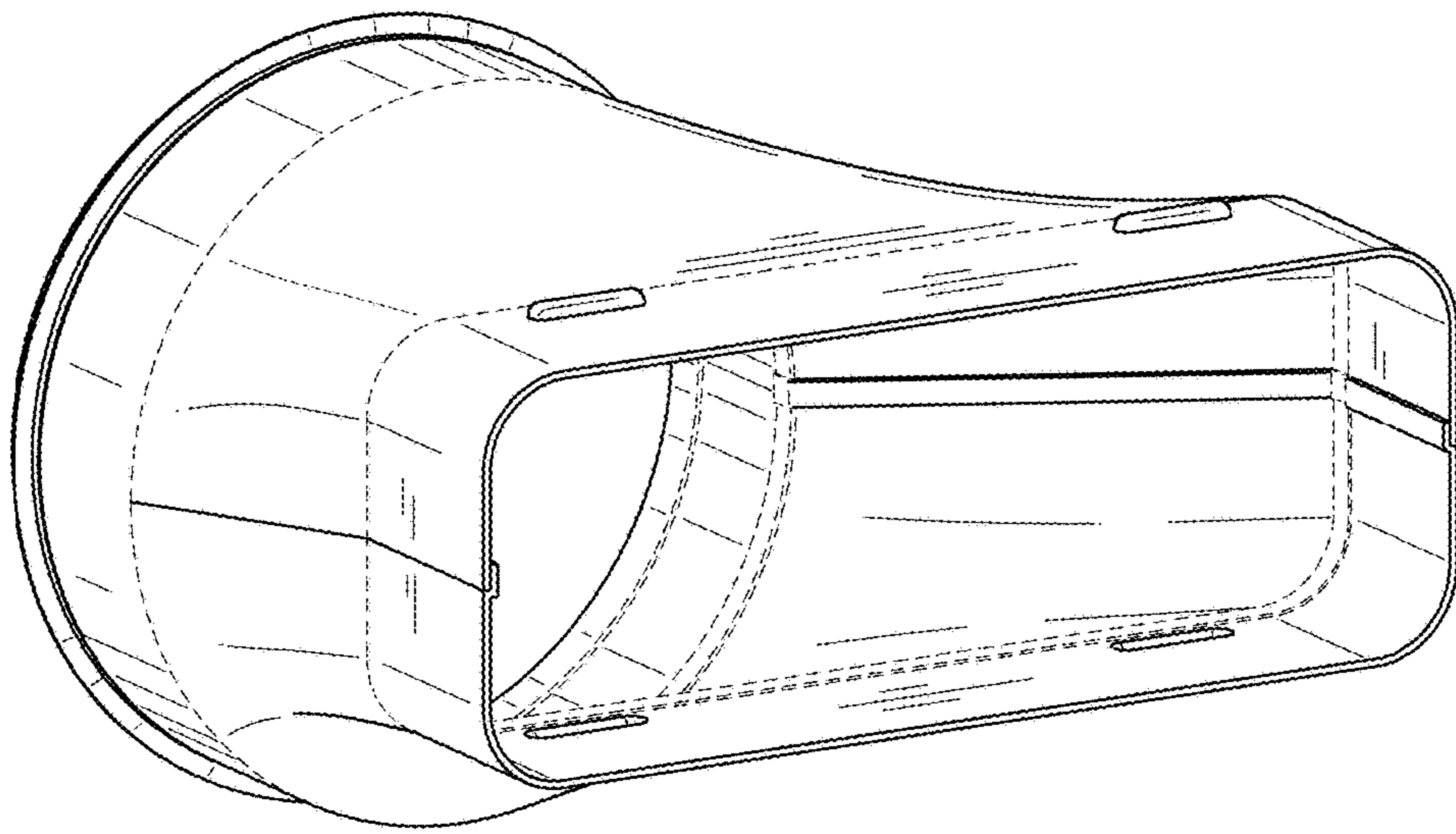


FIG. 1

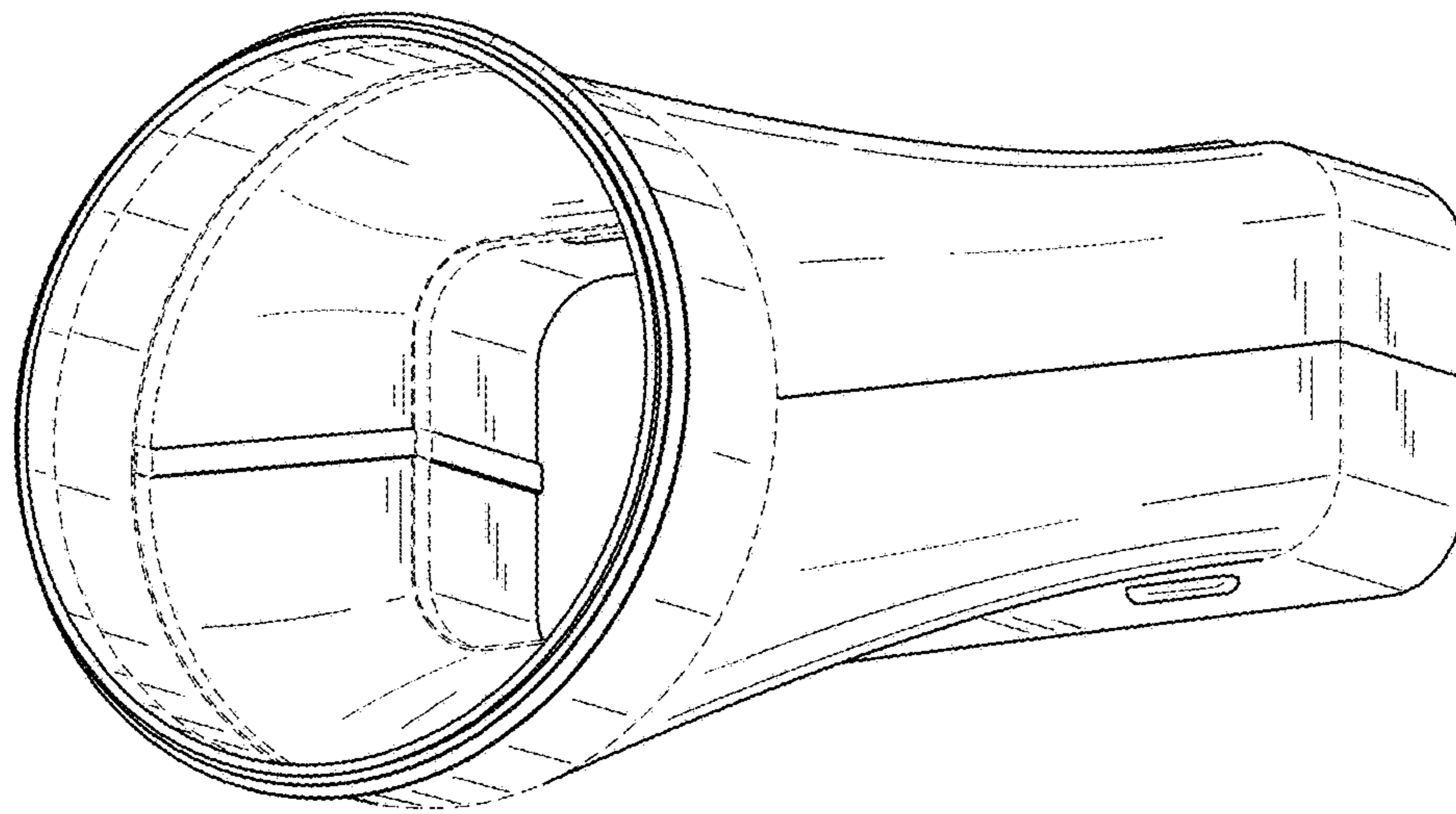


FIG. 2

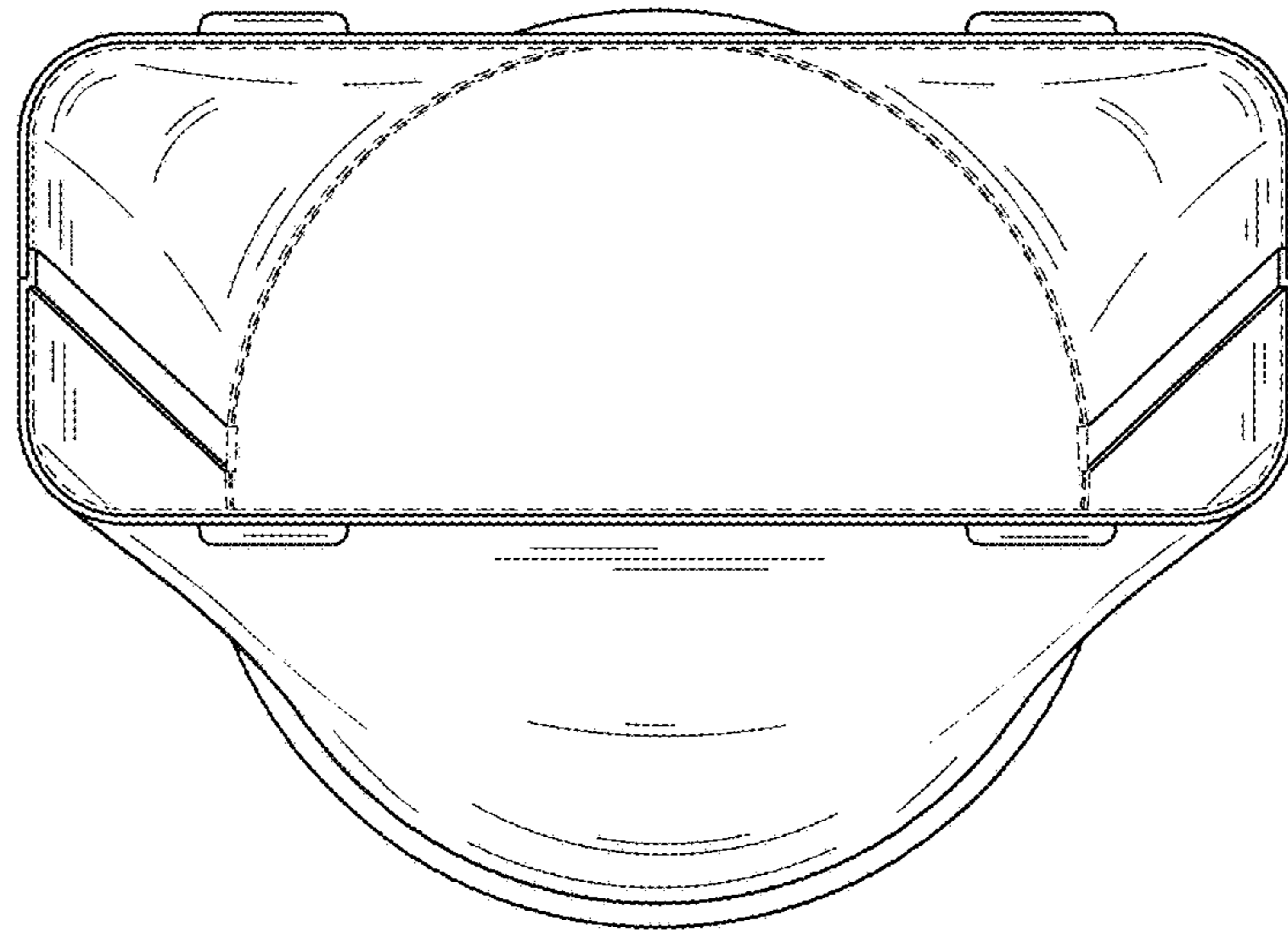


FIG. 3

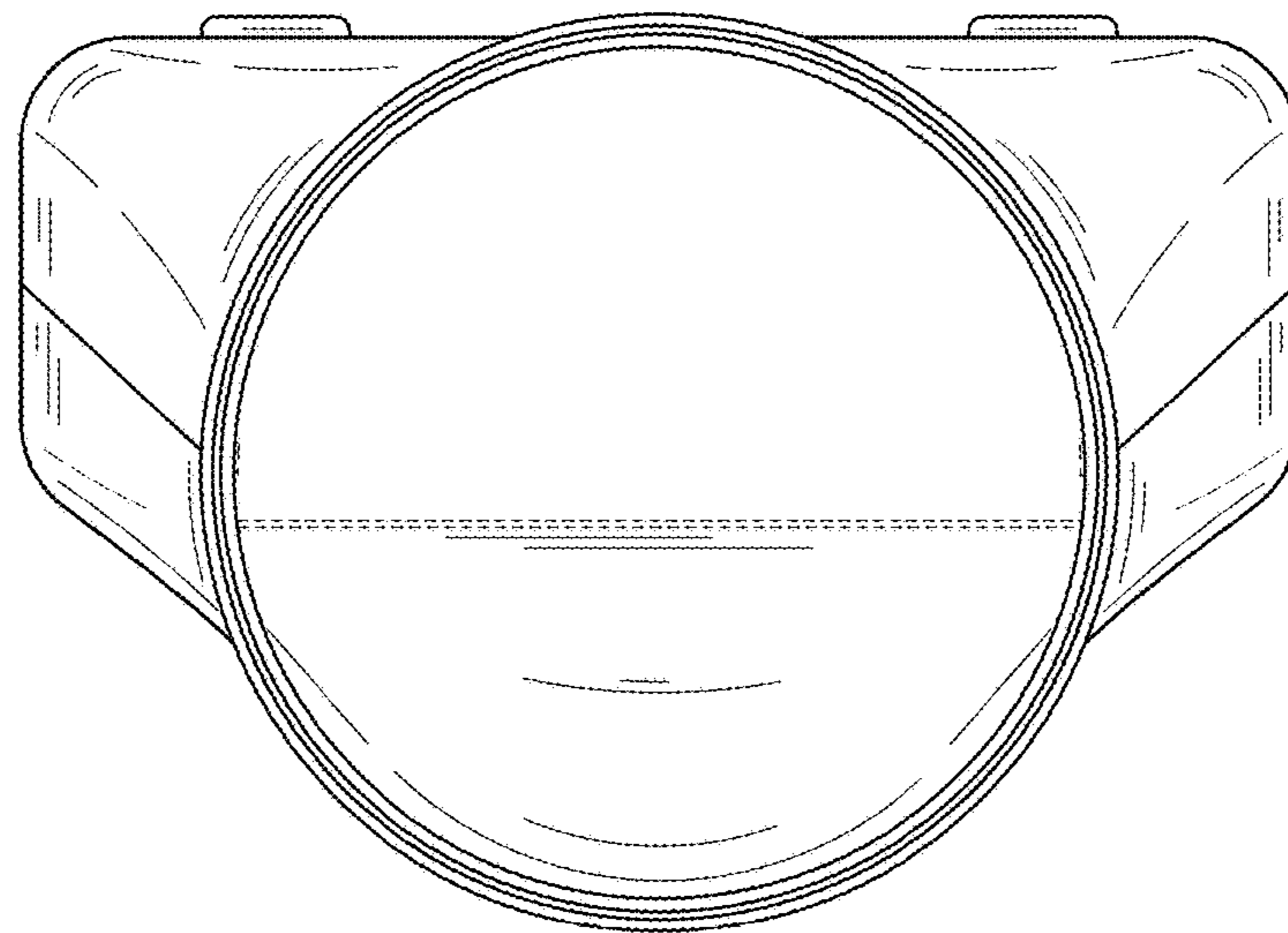


FIG. 4



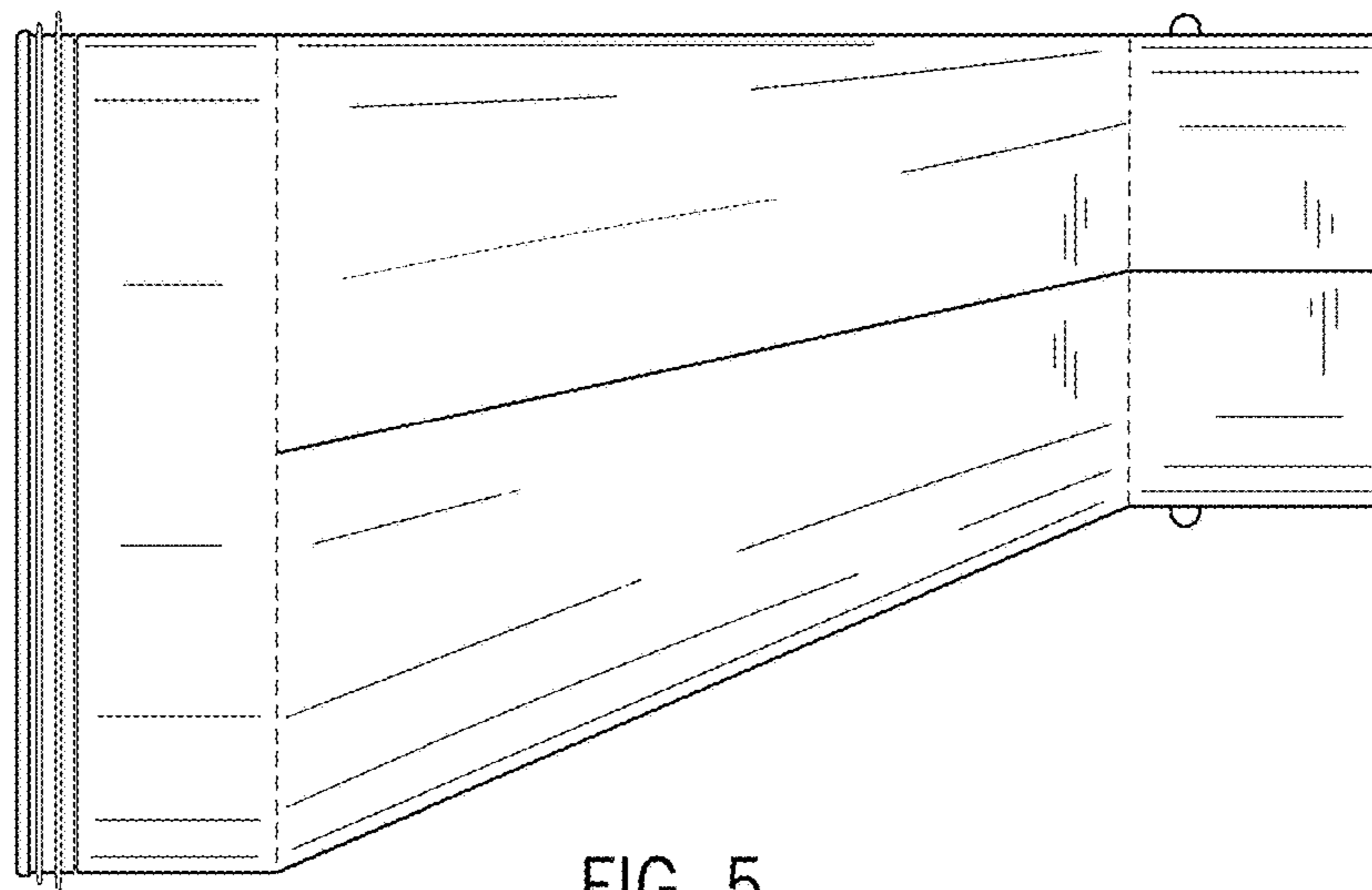


FIG. 5

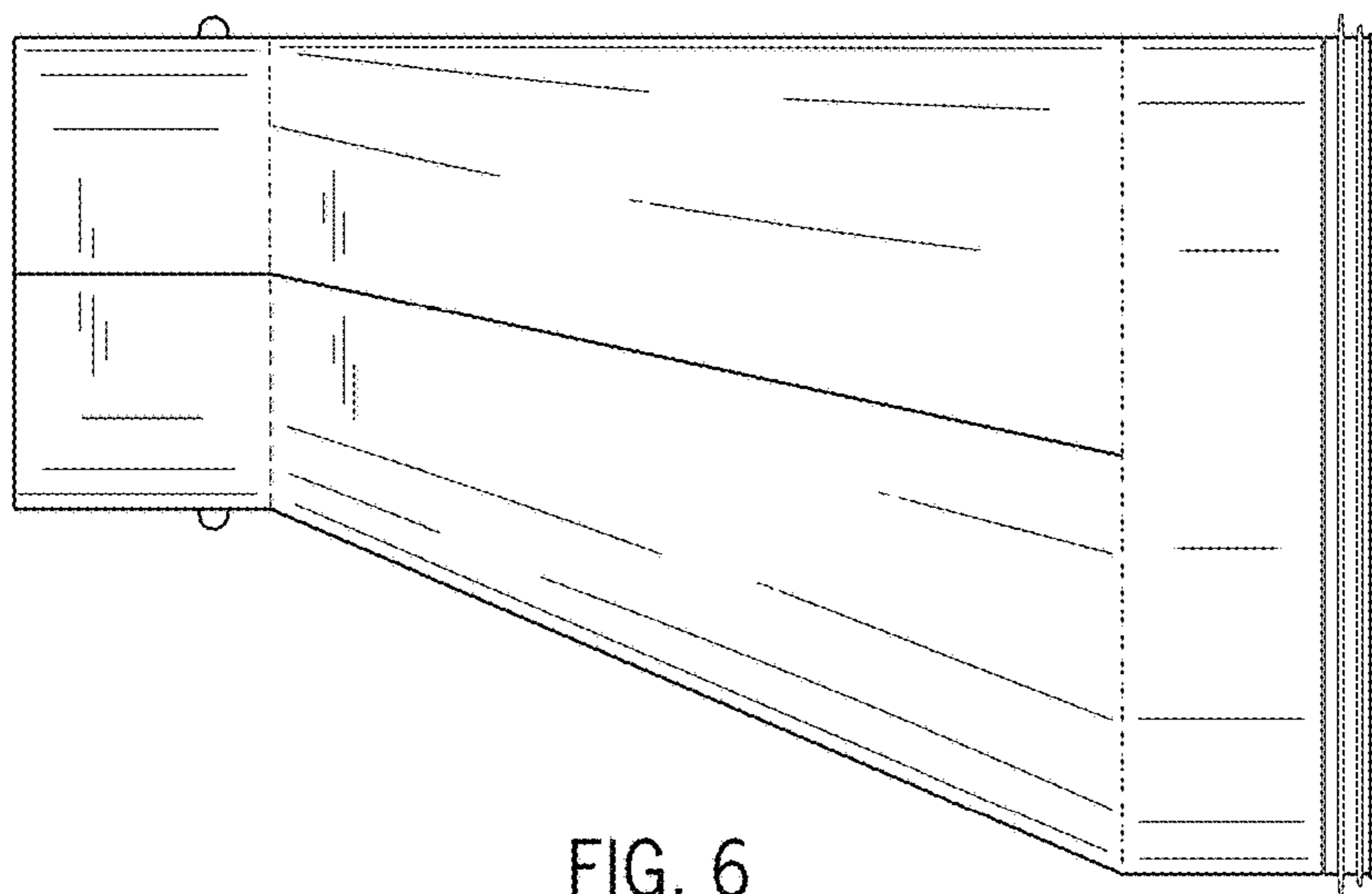


FIG. 6

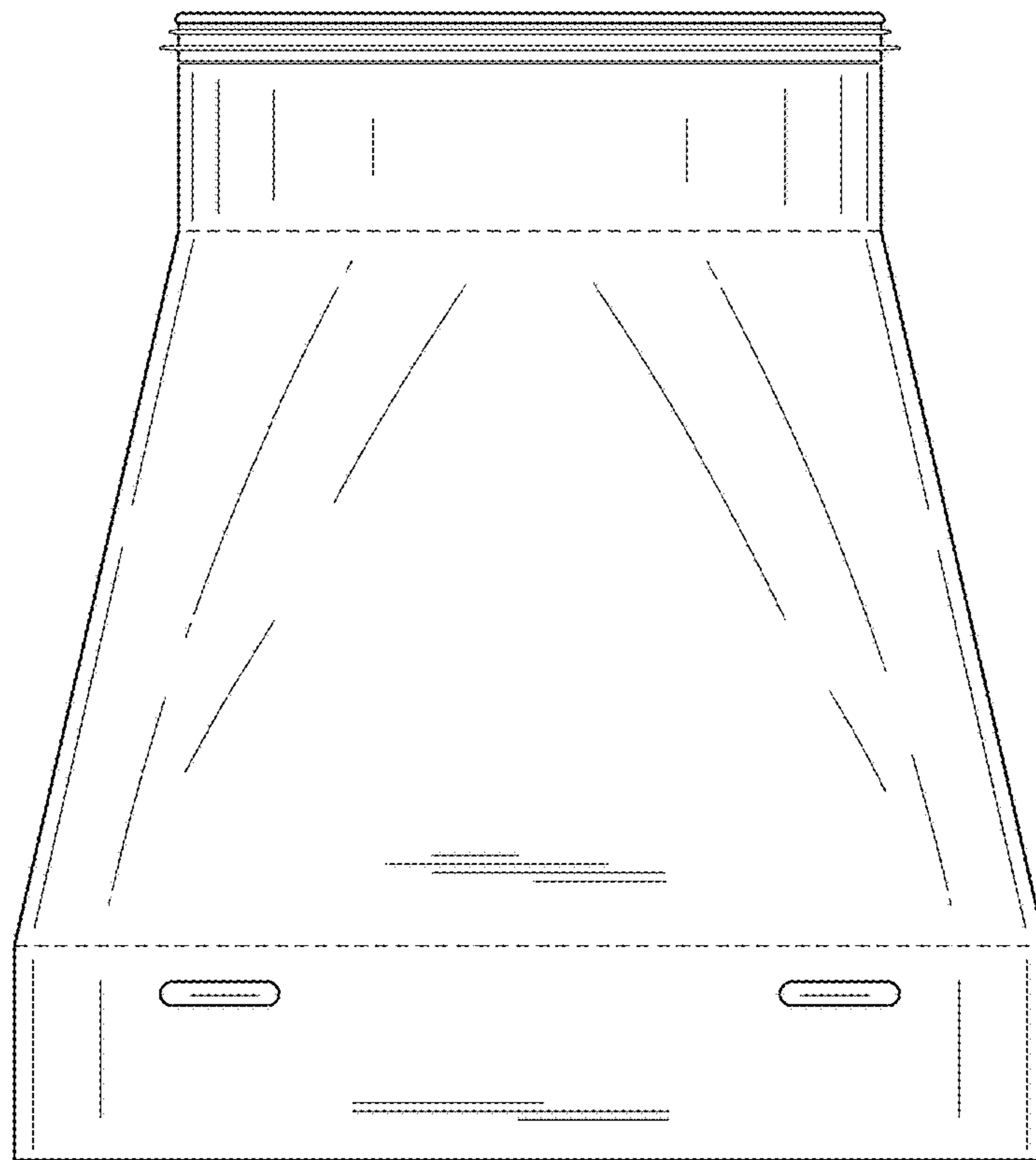


FIG. 7

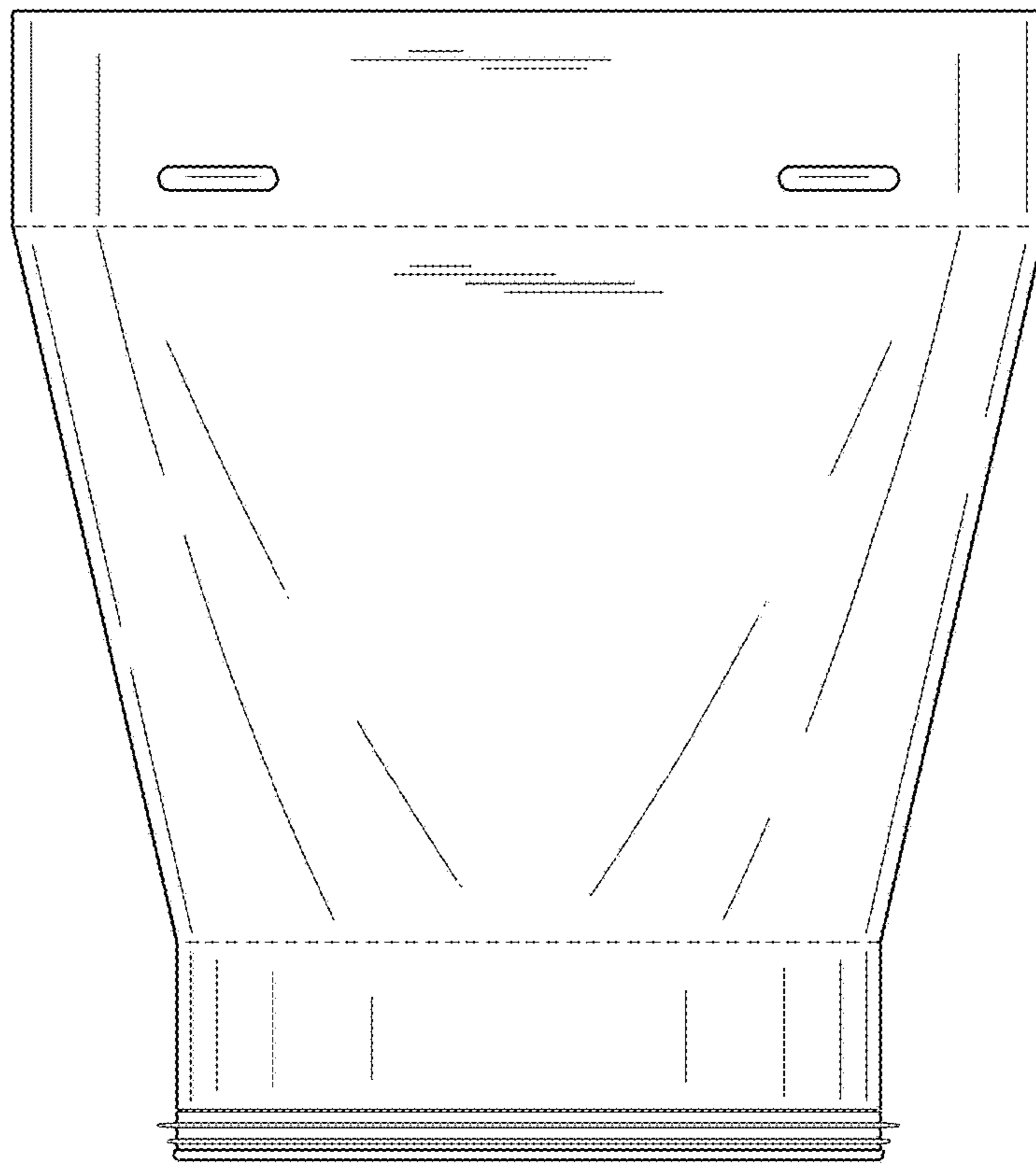


FIG. 8