



US00D846086S

(12) **United States Design Patent**  
**Naber**

(10) **Patent No.:** **US D846,086 S**

(45) **Date of Patent:** **\*\* Apr. 16, 2019**

(54) **PIPE FITTING**

F16L 55/027; F16L 5/00; F16K 15/03;  
F16K 43/001; F16K 43/003

(71) Applicant: **Naber Holding GmbH & Co. KG**,  
Nordhorn (DE)

See application file for complete search history.

(72) Inventor: **Joachim Naber**, Nordhorn (DE)

(56) **References Cited**

(73) Assignee: **NABER HOLDING GMBH & CO.**  
**KG** (DE)

U.S. PATENT DOCUMENTS

(\*\*) Term: **15 Years**

(21) Appl. No.: **29/639,546**

(22) Filed: **Mar. 7, 2018**

(30) **Foreign Application Priority Data**

Sep. 14, 2017 (EP) ..... 004353555

(51) **LOC (11) Cl.** ..... **23-01**

(52) **U.S. Cl.**

USPC ..... **D23/259**; D23/393; D32/25

(58) **Field of Classification Search**

USPC ..... D23/259, 262–263, 265–266, 267,  
D23/393–394; D24/129; 285/132.1,  
285/133.11, 179, 179.1, 179.2, 125.1, 23,  
285/122.1, 123.15, 123.16, 124.1, 124.5,  
285/136.1, 226, 183, 397, 423–424;  
D25/121–125; 454/241, 243, 261–265,  
454/267–268, 359, 903; 138/37–44, 109,  
138/111, 115–117, 121, 156, 162–163,  
138/166–168, 173; 52/220.3, 220.8, 16;  
D32/25

CPC ..... F16L 43/001; F16L 43/002; F16L 43/008;  
F16L 21/005; F16L 21/002; F16L 21/08;  
F16L 21/06; F16L 21/04; F16L 9/22;  
F16L 9/16; F16L 9/003; F16L 37/0985;  
F16L 55/07; F16L 43/00; F16L 27/11;

2,242,468 A \* 5/1941 Holub ..... F16L 43/001  
126/307 R  
3,920,271 A \* 11/1975 Bluestone ..... F16L 43/001  
285/148.22  
D292,934 S \* 11/1987 Alberico ..... D23/259  
D411,901 S \* 7/1999 Gomulinski ..... D32/25  
6,196,597 B1 \* 3/2001 Karnes ..... F16L 47/08  
285/238  
6,230,418 B1 \* 5/2001 Gomulinski ..... D06F 58/04  
285/181  
6,273,145 B1 \* 8/2001 Botting ..... F16L 43/00  
138/156  
D552,220 S \* 10/2007 Beutler ..... D23/267  
D552,718 S \* 10/2007 Mayer ..... D23/259  
7,338,095 B1 \* 3/2008 Karnes ..... F16L 41/02  
24/16 PB

(Continued)

*Primary Examiner* — Karen E Kearney

*Assistant Examiner* — Amy C Wierenga

(74) *Attorney, Agent, or Firm* — Polsinelli PC

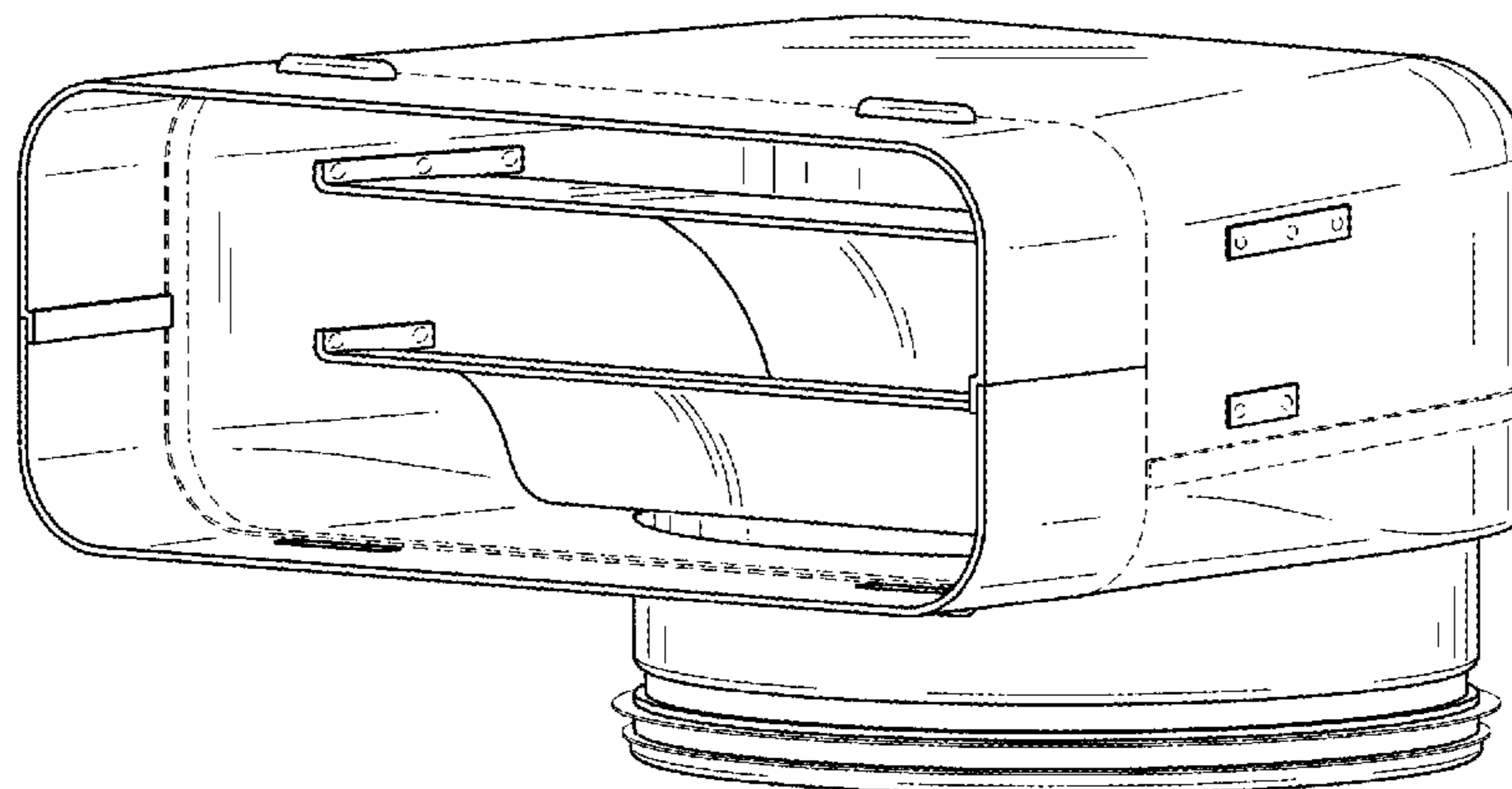
(57) **CLAIM**

The ornamental design for a pipe fitting, as shown and described.

**DESCRIPTION**

FIG. 1 is a perspective view of the pipe fitting;  
FIG. 2 is a bottom perspective view of the pipe fitting;  
FIG. 3 is a front view of the pipe fitting;  
FIG. 4 is a rear view of the pipe fitting;  
FIG. 5 is a right side view of the pipe fitting;  
FIG. 6 is a left side view of the pipe fitting;  
FIG. 7 is a top view of the pipe fitting; and,  
FIG. 8 is a bottom view of the pipe fitting.

(Continued)



The broken lines showing in the figures are included for the purpose of illustrating portions of the pipe fitting that form no part of the claimed design.

**1 Claim, 6 Drawing Sheets**

(56) **References Cited**

U.S. PATENT DOCUMENTS

7,556,009	B2 *	7/2009	Niakan .....	F02B 27/00 123/184.21
D658,831	S *	5/2012	Robinson .....	D32/25
8,201,369	B2 *	6/2012	Coughlin .....	F16L 5/00 285/179
D761,397	S *	7/2016	DeNooy .....	D23/262
2014/0166144	A1 *	6/2014	Parkin .....	F16L 55/00 138/109

\* cited by examiner

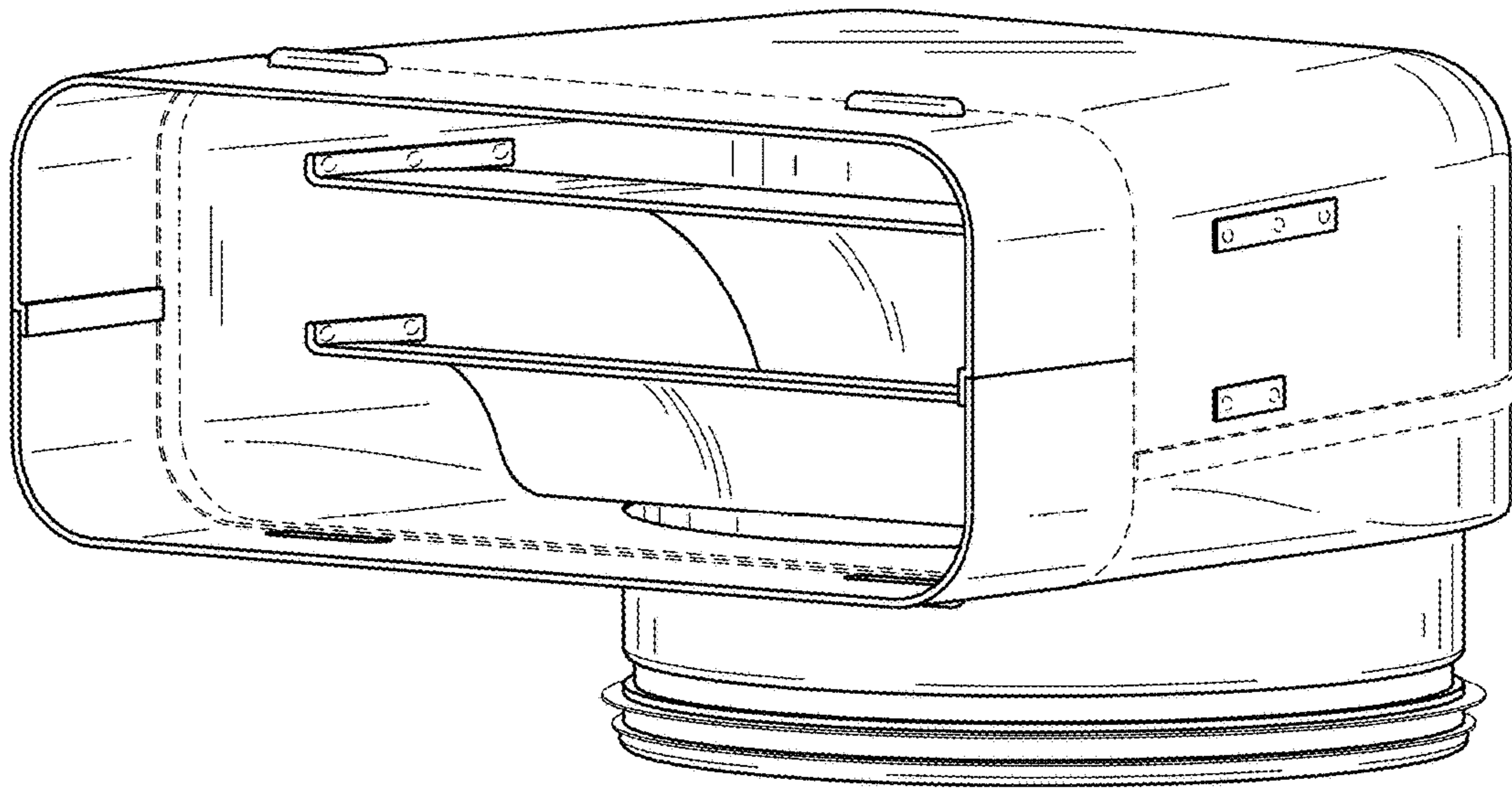


FIG. 1

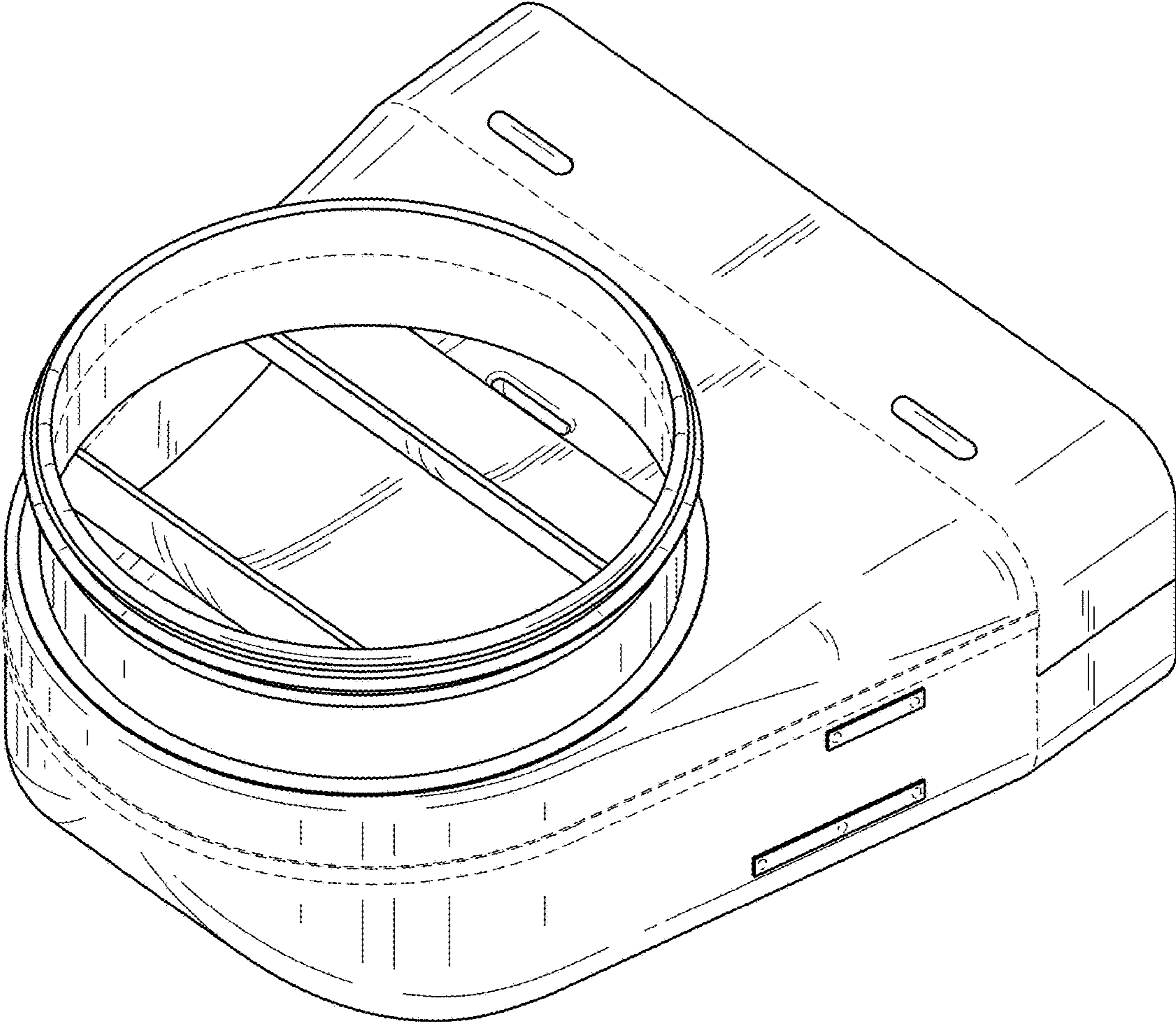


FIG. 2

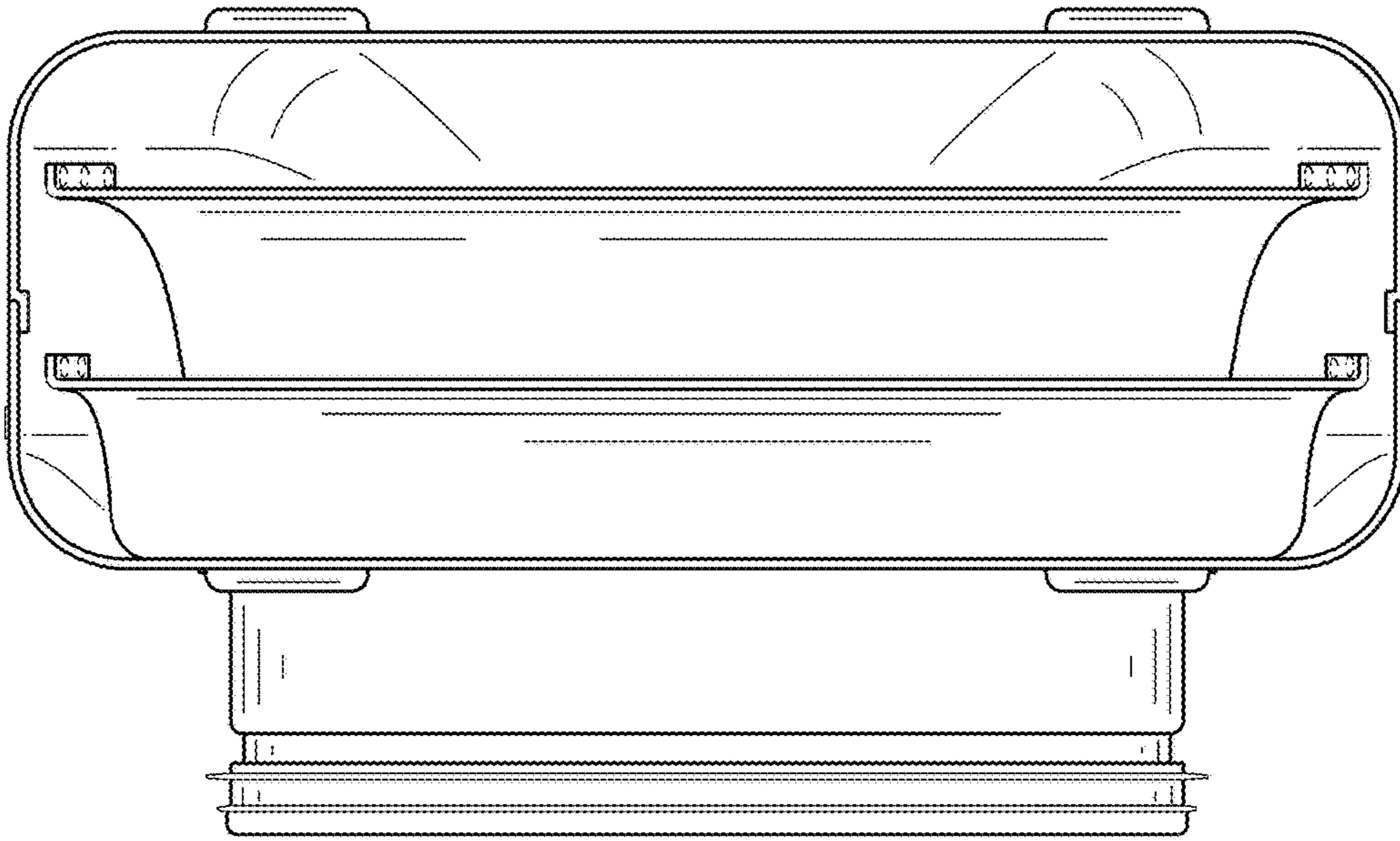


FIG. 3

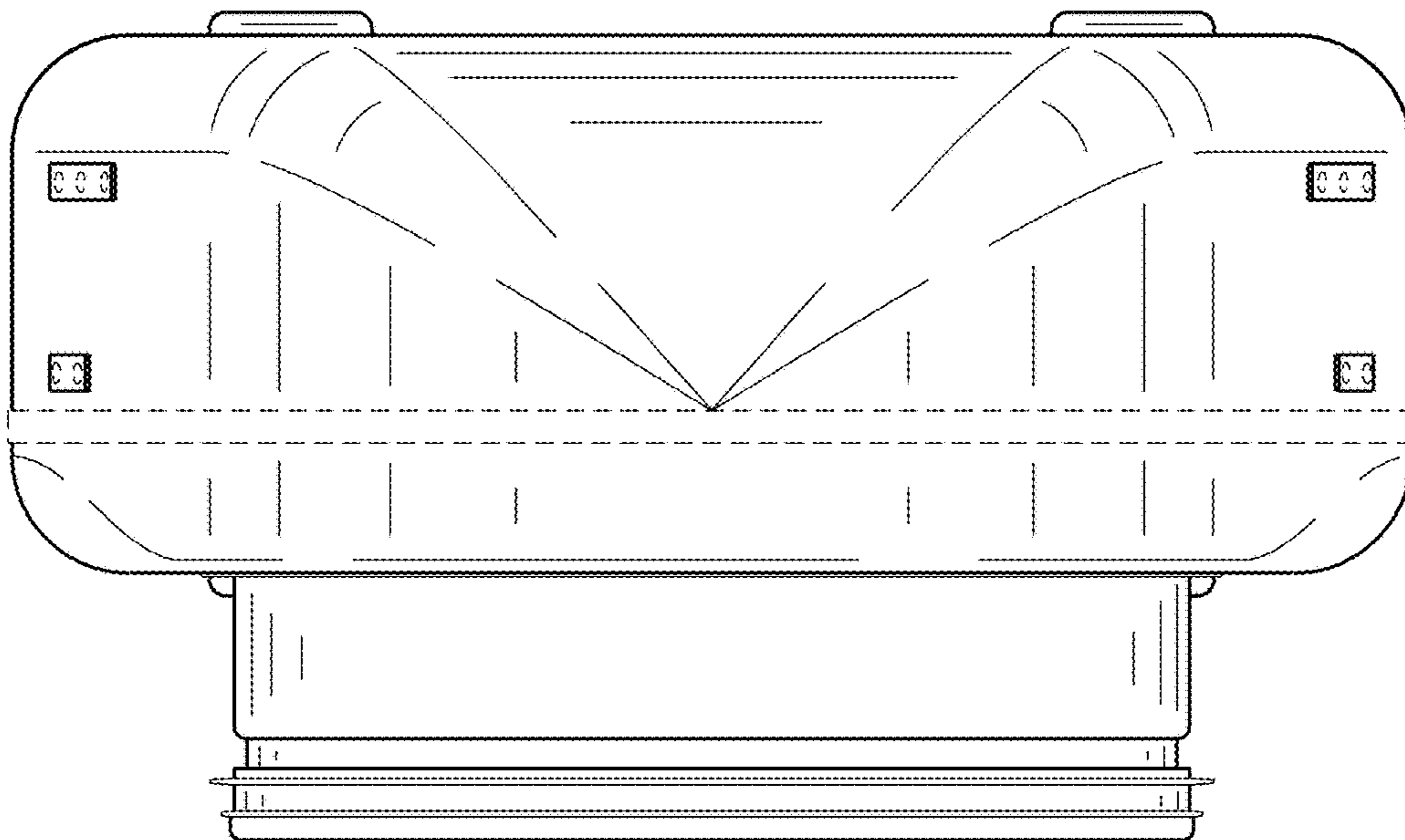


FIG. 4

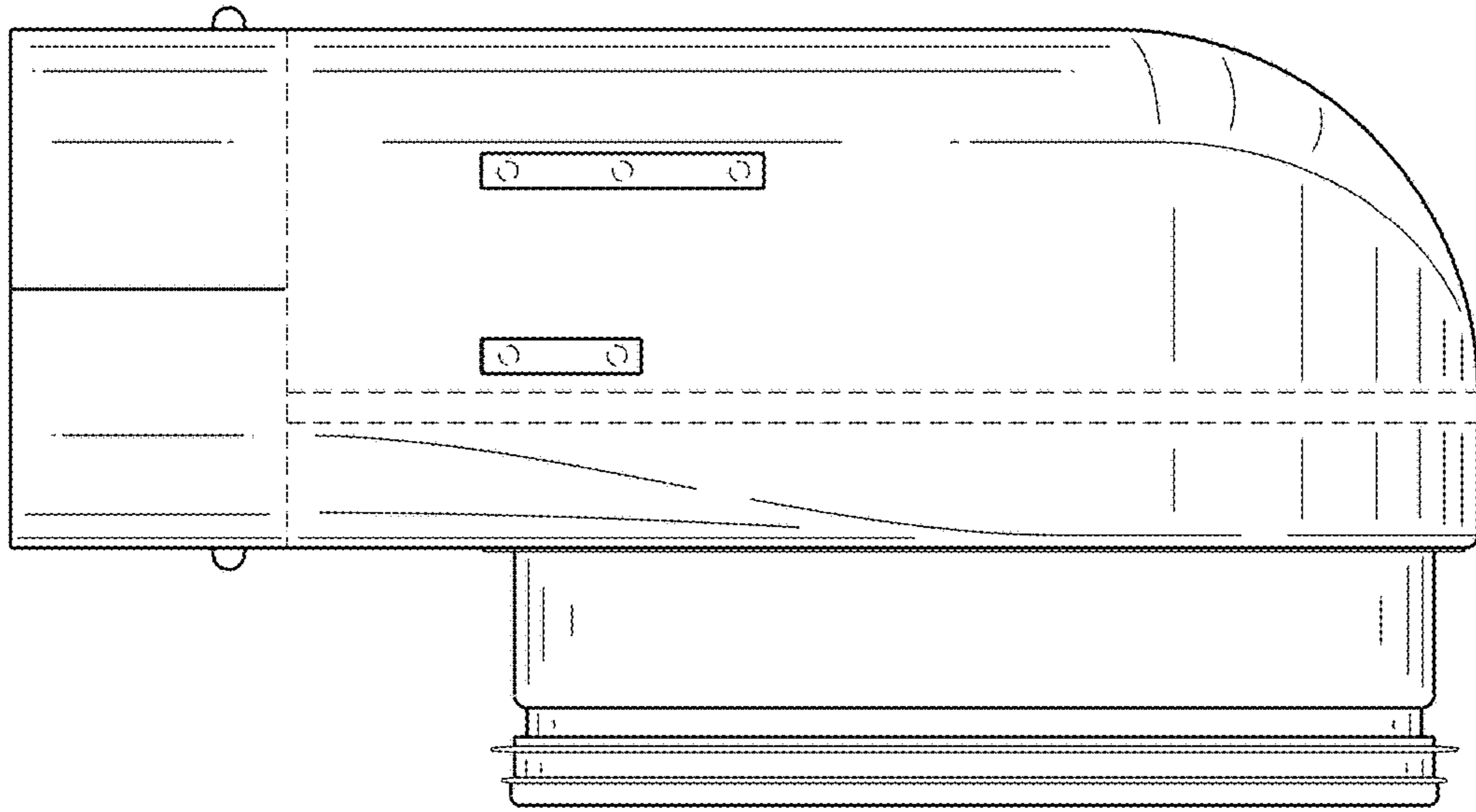


FIG. 5

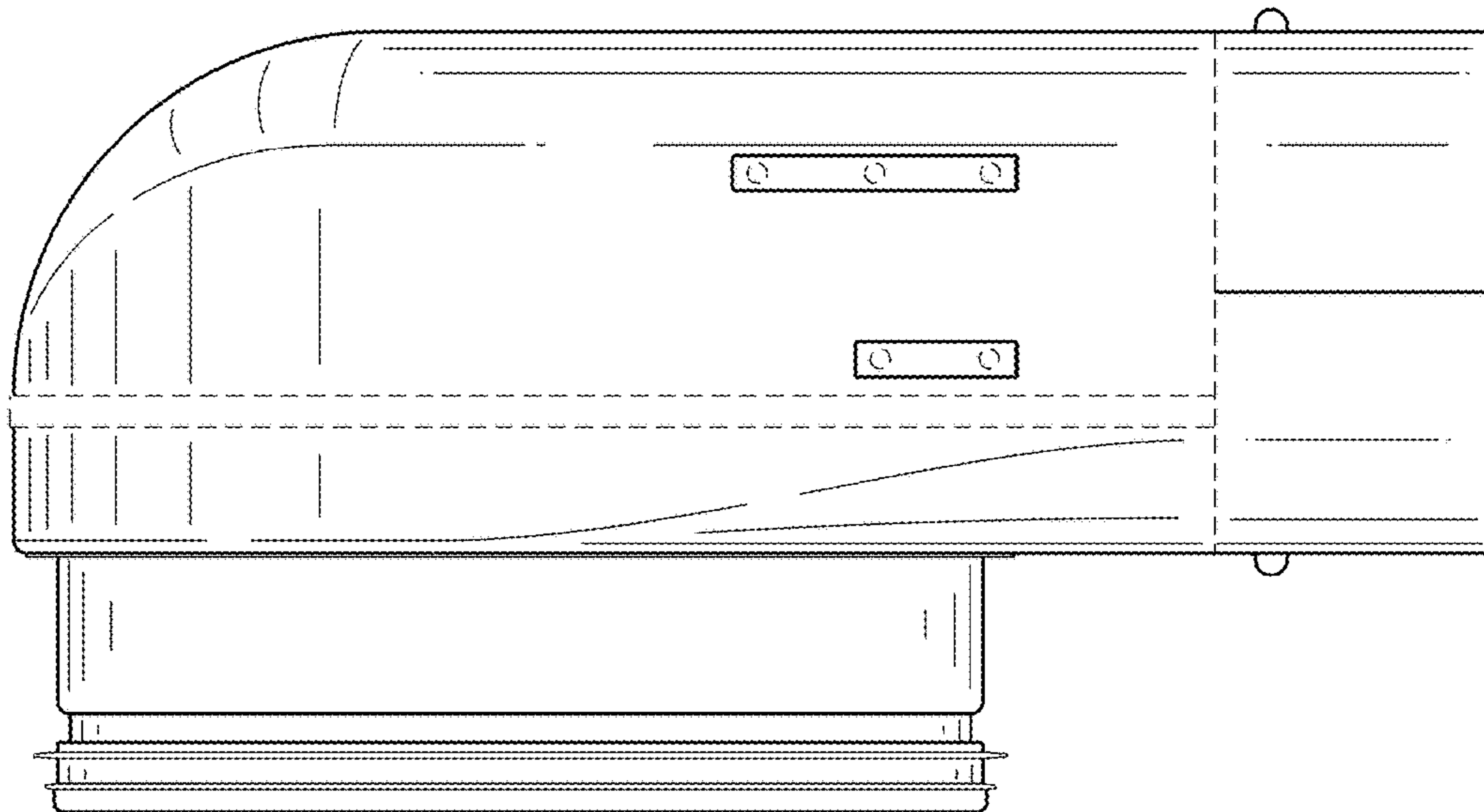


FIG. 6

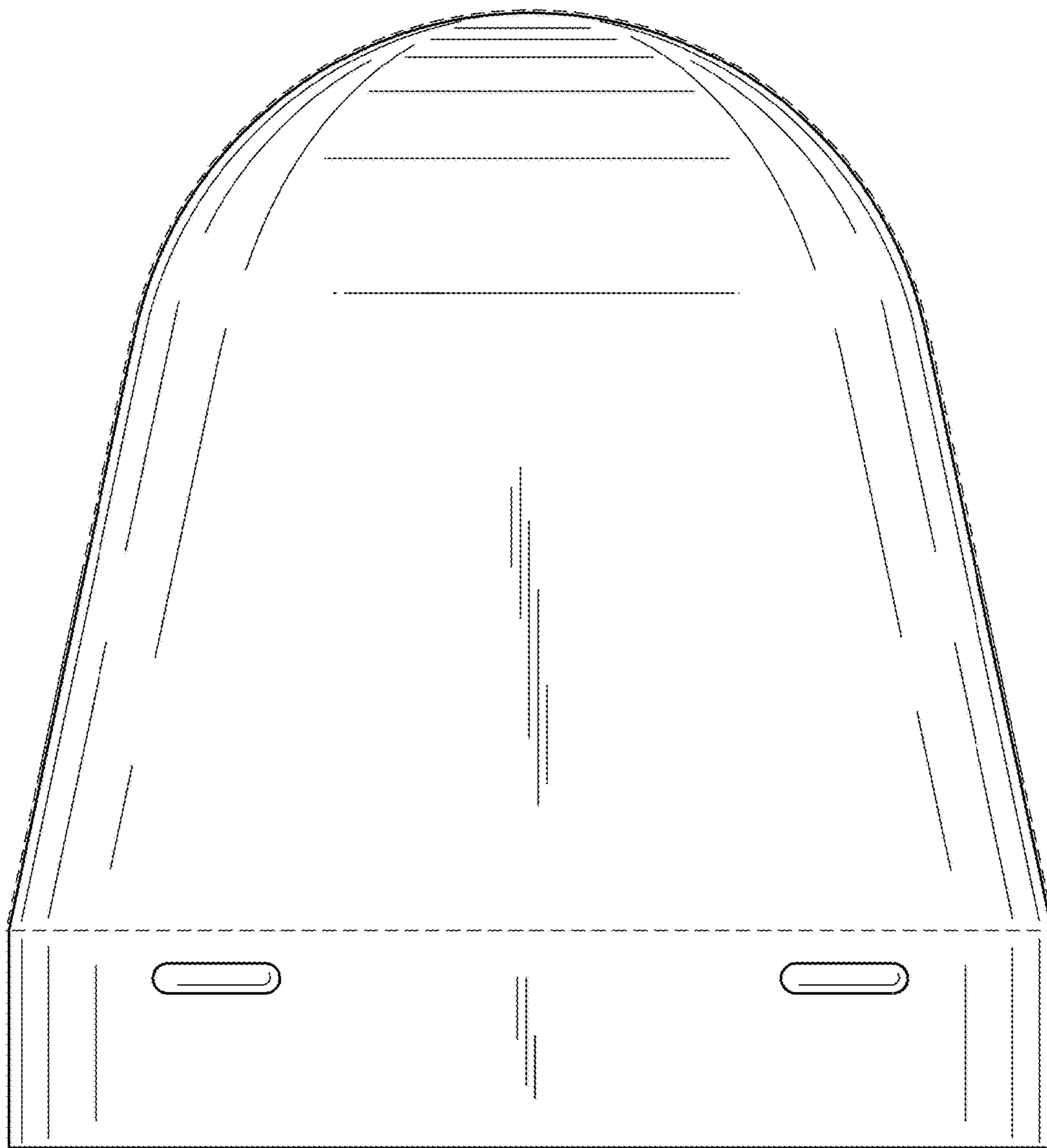


FIG. 7

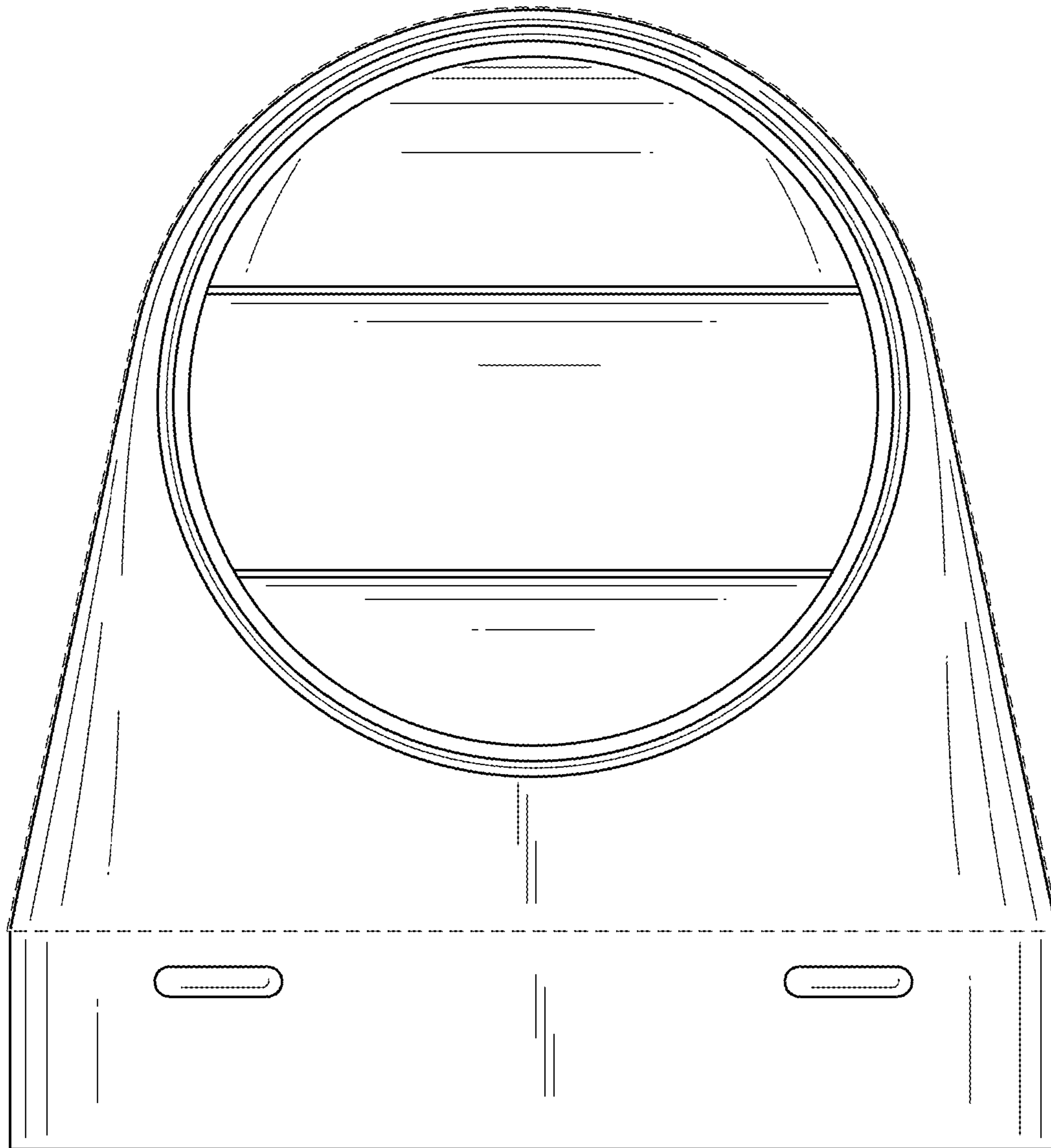


FIG. 8