



US00D846085S

(12) **United States Design Patent**
Vansell

(10) **Patent No.:** **US D846,085 S**

(45) **Date of Patent:** **** Apr. 16, 2019**

- (54) **SHOVELNOSE ADAPTER**
- (71) Applicant: **Chris Vansell**, Corona, CA (US)
- (72) Inventor: **Chris Vansell**, Corona, CA (US)
- (73) Assignee: **GRIPPER GASKET LLC**, Corona, CA (US)
- (**) Term: **15 Years**
- (21) Appl. No.: **29/615,330**
- (22) Filed: **Aug. 28, 2017**
- (51) **LOC (11) Cl.** **23-01**
- (52) **U.S. Cl.**
USPC **D23/259**; D23/262
- (58) **Field of Classification Search**
USPC D23/259, 262, 264, 266, 213, 226;
285/143.1, 141.1, 139.1, 904; D8/10-11,
D8/80-81, 382, 394, 396; 294/49, 54.5,
294/58, 57
CPC A01B 1/02; A01B 1/20
See application file for complete search history.

- (56) **References Cited**
U.S. PATENT DOCUMENTS
1,901,778 A * 3/1933 Schlag A01B 1/222
15/144.1
D375,843 S * 11/1996 Wolfenden D4/199
D409,459 S * 5/1999 Churchman D8/10
D450,814 S * 11/2001 Aldred D15/140

6,612,379 B1 *	9/2003	Timmons	A01B 1/02 172/375
D489,967 S *	5/2004	Funk	D8/382
D494,822 S *	8/2004	Wyles	D8/11
D588,883 S *	3/2009	Randolph	D8/10
D593,822 S *	6/2009	Randolph	D8/10
D772,660 S *	11/2016	Huang	D7/691
D782,888 S *	4/2017	Pritchett, II	D8/10
D828,126 S *	9/2018	Skaliotis	D8/10
2014/0132015 A1 *	5/2014	Stachowski	A01B 1/026 294/51

* cited by examiner

Primary Examiner — Eric L Goodman
Assistant Examiner — Amy C Wierenga
 (74) *Attorney, Agent, or Firm* — Steven A. Nielsen;
 www.NielsenPatents.com

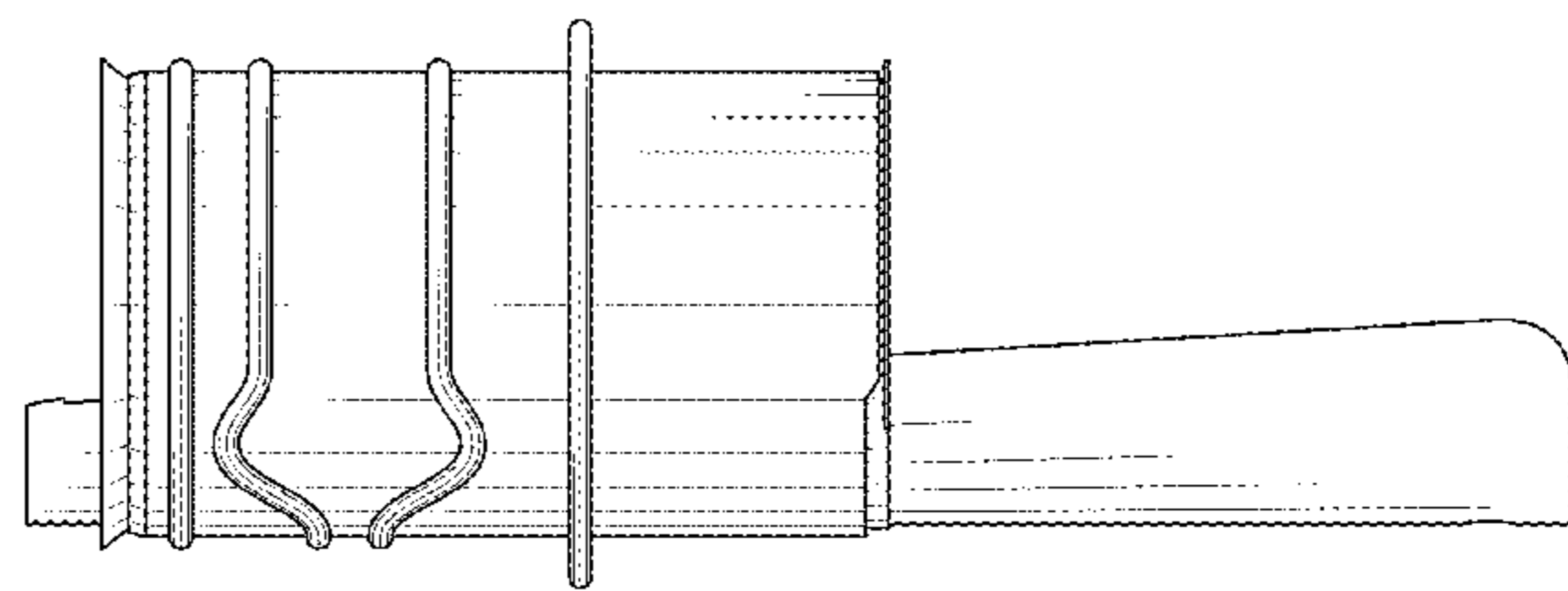
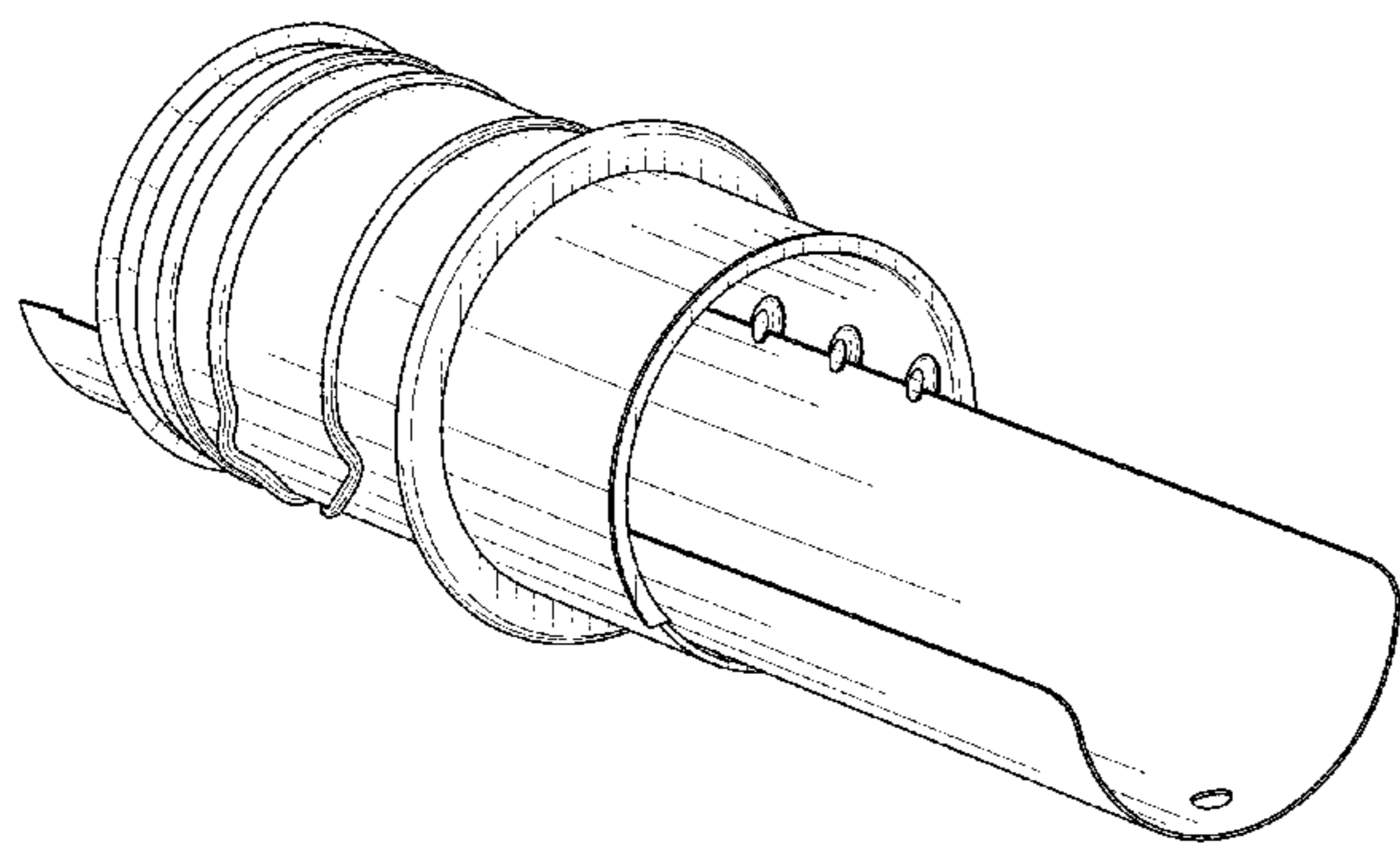
(57) **CLAIM**

The ornamental design for a shovelnose adapter, as shown and described.

DESCRIPTION

FIG. 1 is a front perspective view of a shovelnose adapter showing a new design;
 FIG. 2 is a front view thereof;
 FIG. 3 is a back view thereof;
 FIG. 4 is a right side view thereof;
 FIG. 5 is a left side view thereof;
 FIG. 6 is a top view thereof; and,
 FIG. 7 is a bottom view thereof.

1 Claim, 4 Drawing Sheets



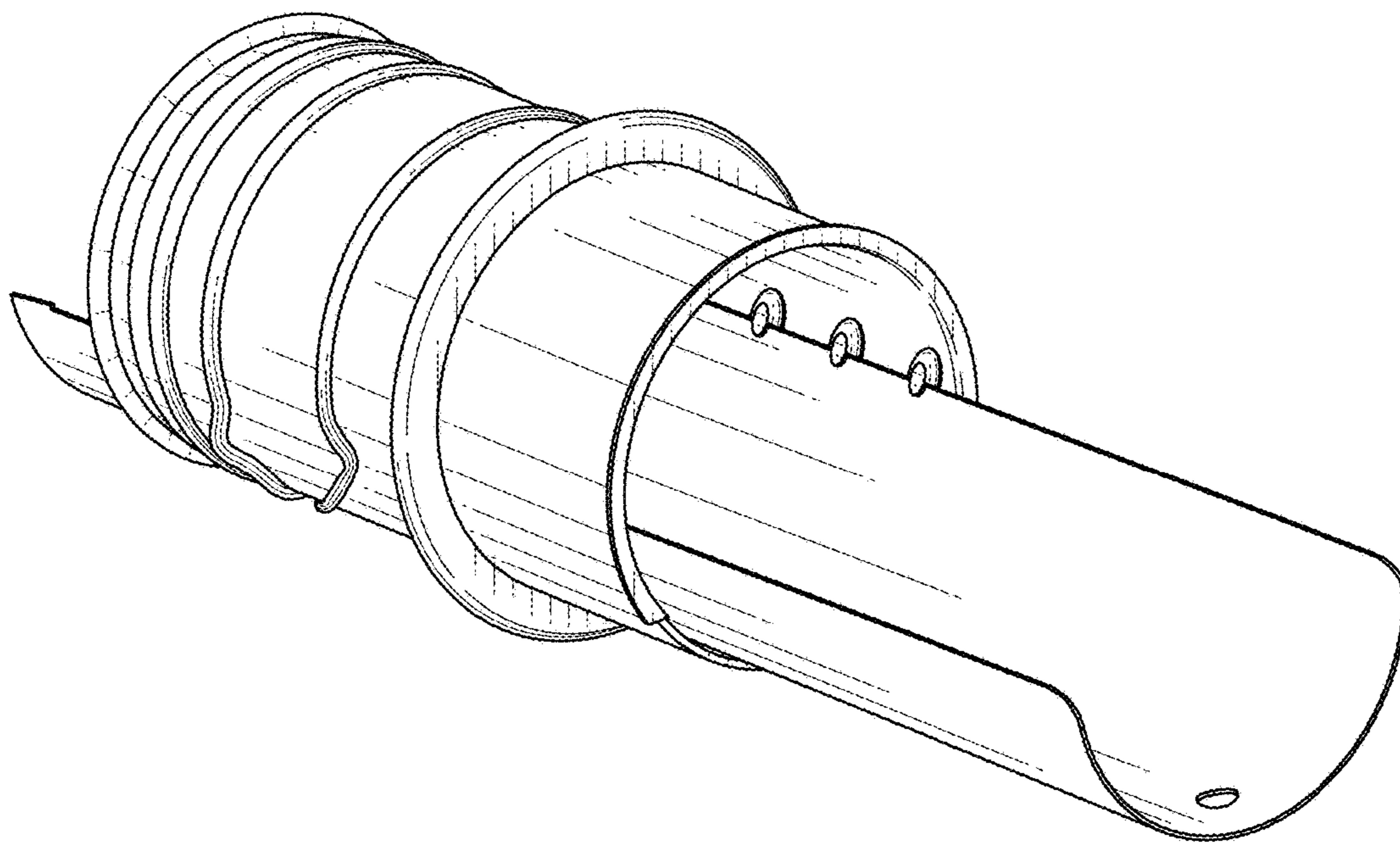


FIG. 1

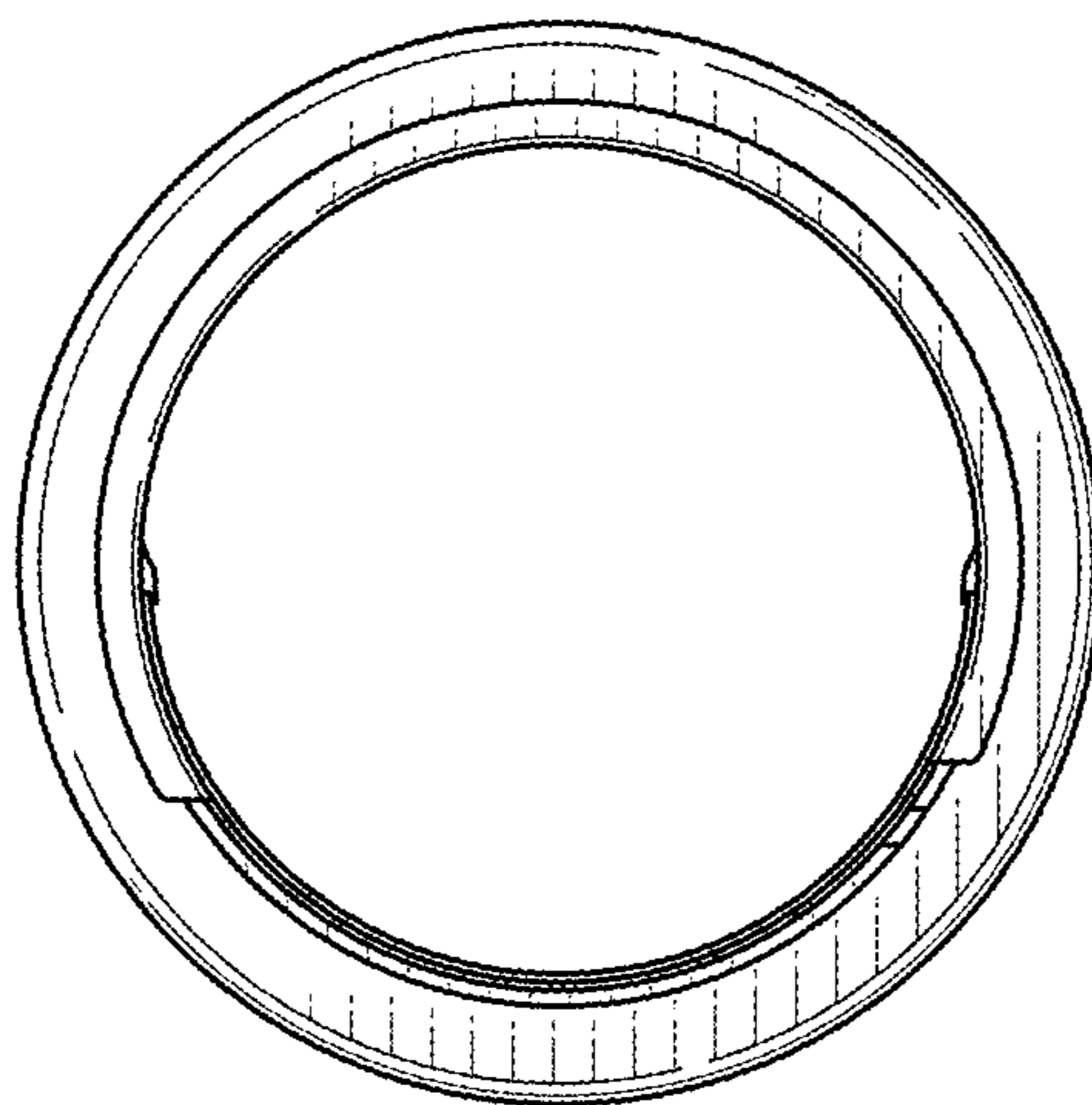


FIG. 2

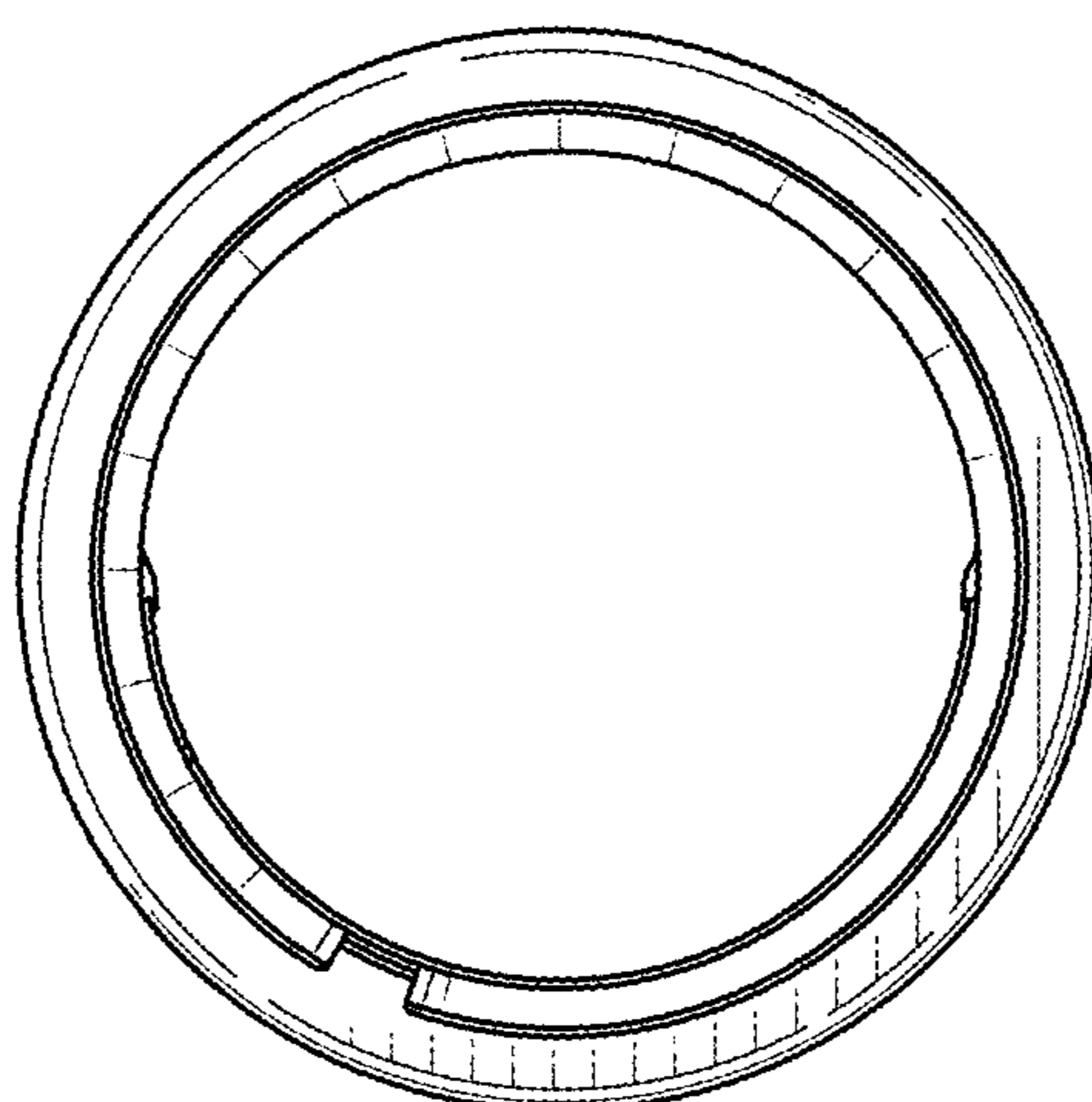


FIG. 3

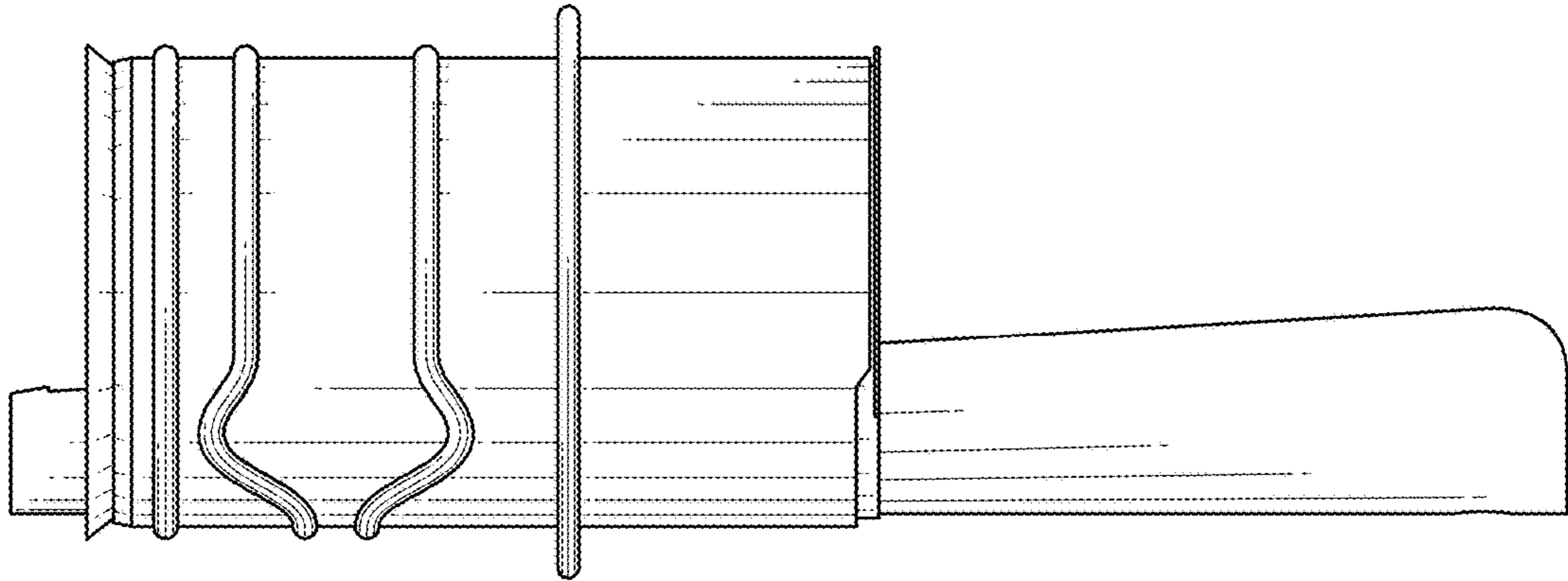


FIG. 4

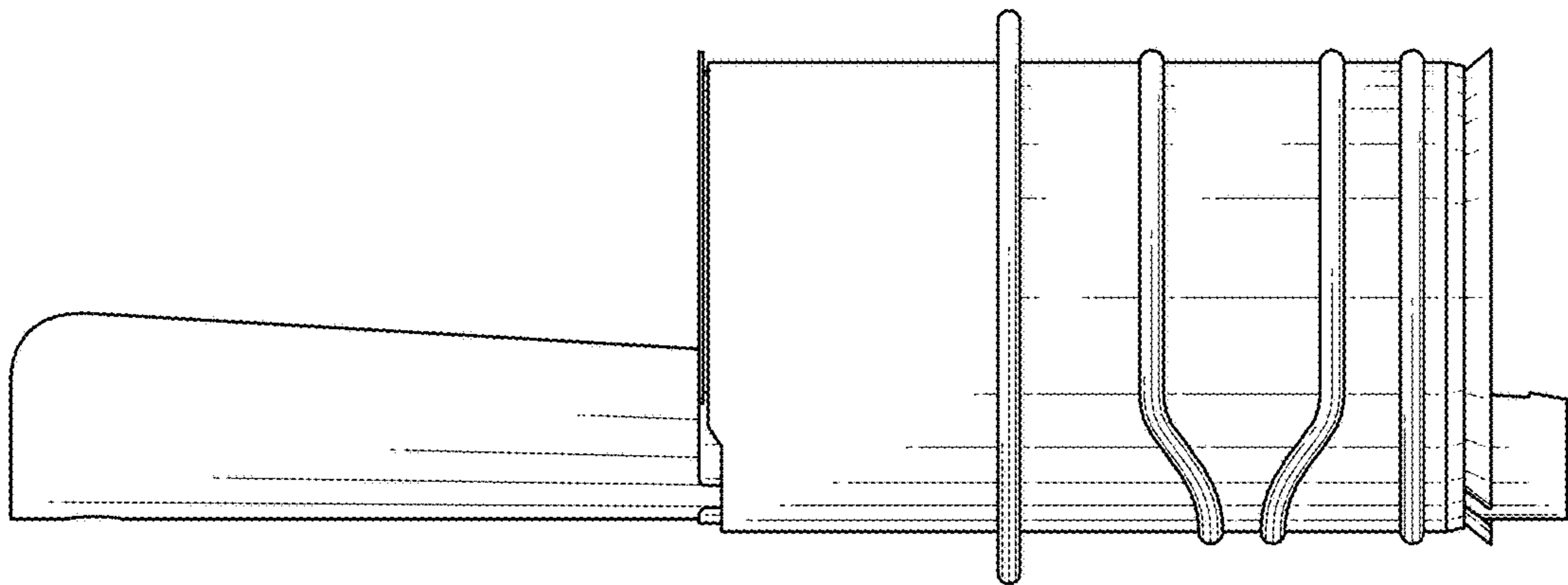


FIG. 5

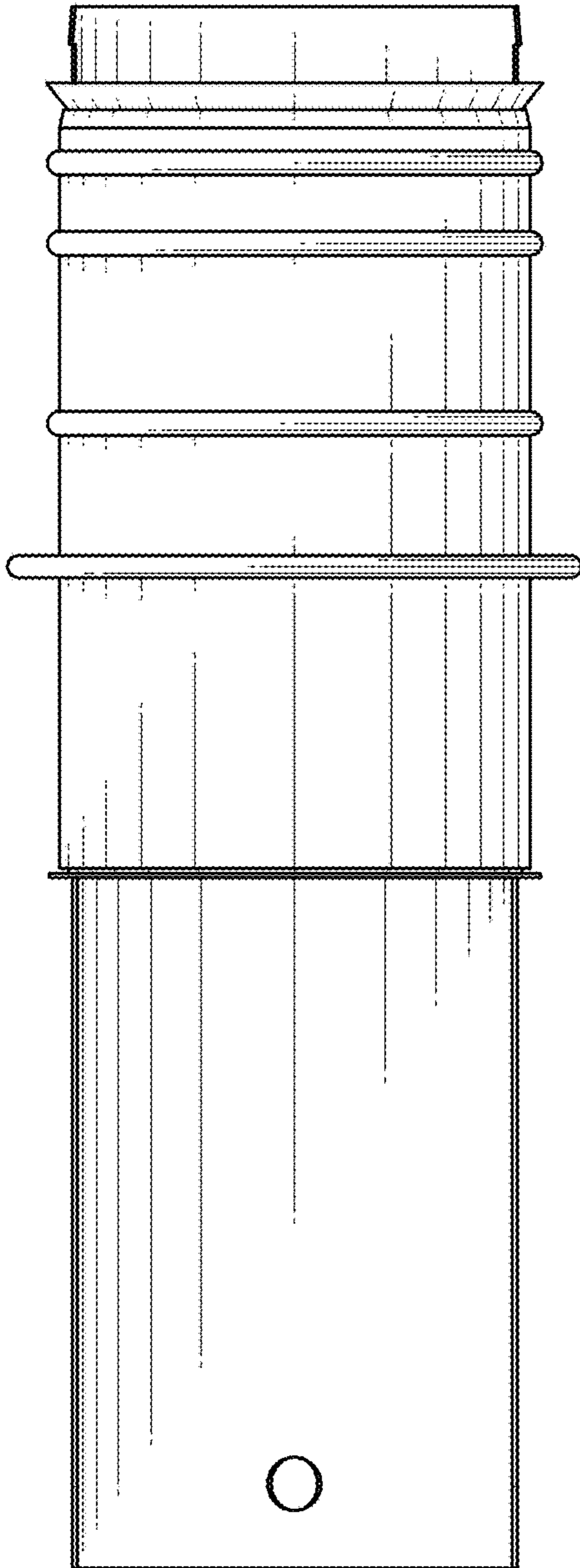


FIG. 6

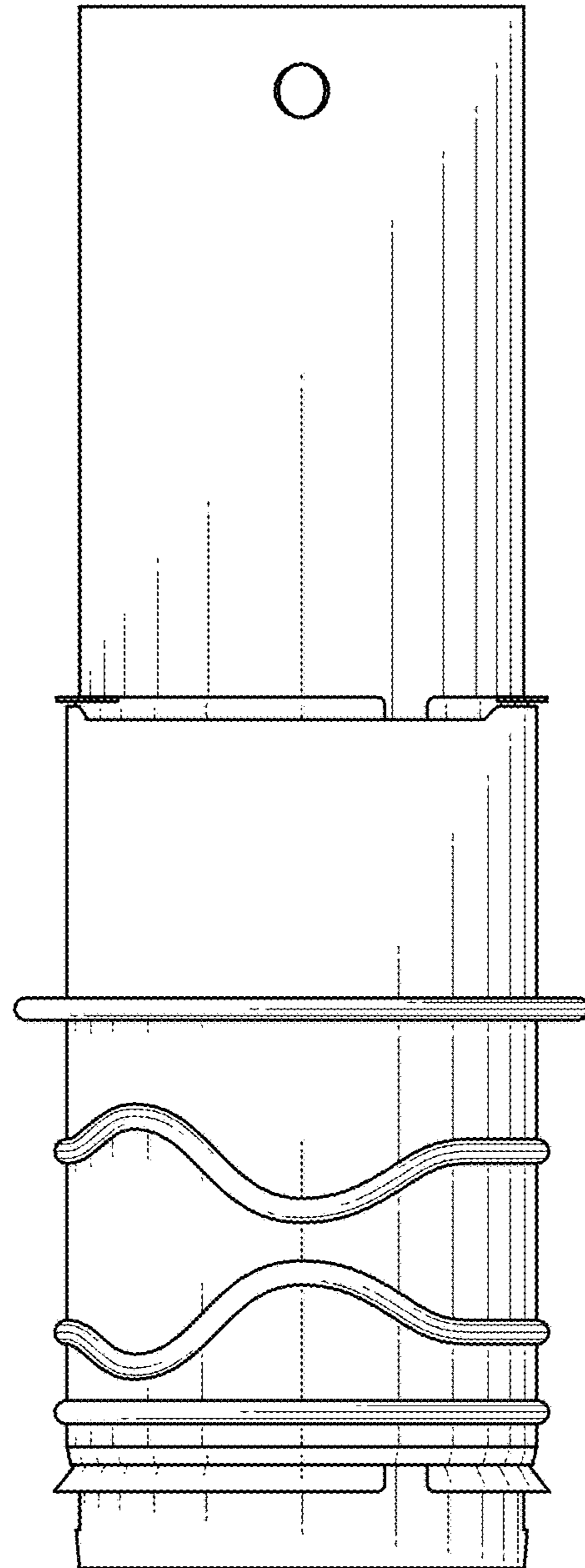


FIG. 7