



US00D846084S

(12) **United States Design Patent**
Kaule et al.

(10) **Patent No.:** **US D846,084 S**
(45) **Date of Patent:** **** Apr. 16, 2019**

- (54) **FAUCET**
- (71) Applicant: **Kohler Co.**, Kohler, WI (US)
- (72) Inventors: **Brian M. Kaule**, Yardley, PA (US);
Anna-Pia K. Slothower, Mill Valley, CA (US)
- (73) Assignee: **KOHLER CO.**, Kohler, WI (US)
- (**) Term: **15 Years**
- (21) Appl. No.: **29/645,875**
- (22) Filed: **Apr. 30, 2018**

D373,174 S *	8/1996	Valley	D23/226
D420,726 S *	2/2000	Slothower	D23/257
D474,258 S *	5/2003	Chen	D23/226
D475,120 S *	5/2003	Ouyoung	D23/226
D479,309 S	9/2003	Haug		
6,738,996 B1	5/2004	Malek		
D513,526 S	1/2006	Marshall		
D520,114 S	5/2006	Starck		
D532,486 S	11/2006	Barry		
D541,384 S	4/2007	Citterio		
7,380,731 B1	6/2008	Hsu		
D574,463 S *	8/2008	Soriano	D23/226
D605,260 S	12/2009	Allard		
D651,284 S	12/2011	Flowers		
D655,698 S	3/2012	Boiso		
D698,903 S	2/2014	Gilbert		
D704,803 S	5/2014	Hashimoto		
D721,164 S	1/2015	Georgeson		
D758,553 S *	6/2016	Rexach	D23/255
D767,726 S	9/2016	Mazz		

Related U.S. Application Data

- (62) Division of application No. 29/610,567, filed on Jul. 13, 2017, now Pat. No. Des. 819,786, which is a division of application No. 29/588,369, filed on Dec. 20, 2016, now Pat. No. Des. 795,396, which is a division of application No. 29/540,213, filed on Sep. 22, 2015, now Pat. No. Des. 786,404.
- (51) **LOC (11) Cl.** **23-01**
- (52) **U.S. Cl.**
USPC **D23/257**
- (58) **Field of Classification Search**
USPC D23/238-243, 249-250, 252, 254-255, D23/257, 213, 223, 226, 229; D8/300, D8/307-308
CPC ... Y10T 137/9464; E03C 1/04; E03C 1/0401; E03C 1/0402; E03C 1/0404; E03C 1/0405; E03C 1/0412
See application file for complete search history.

References Cited

U.S. PATENT DOCUMENTS

- 2,971,520 A 2/1961 Motis et al.
- D291,415 S * 8/1987 Abplanalp D23/226

(Continued)

Primary Examiner — Robert A Delehanty

(74) *Attorney, Agent, or Firm* — Foley & Lardner LLP

(57) **CLAIM**

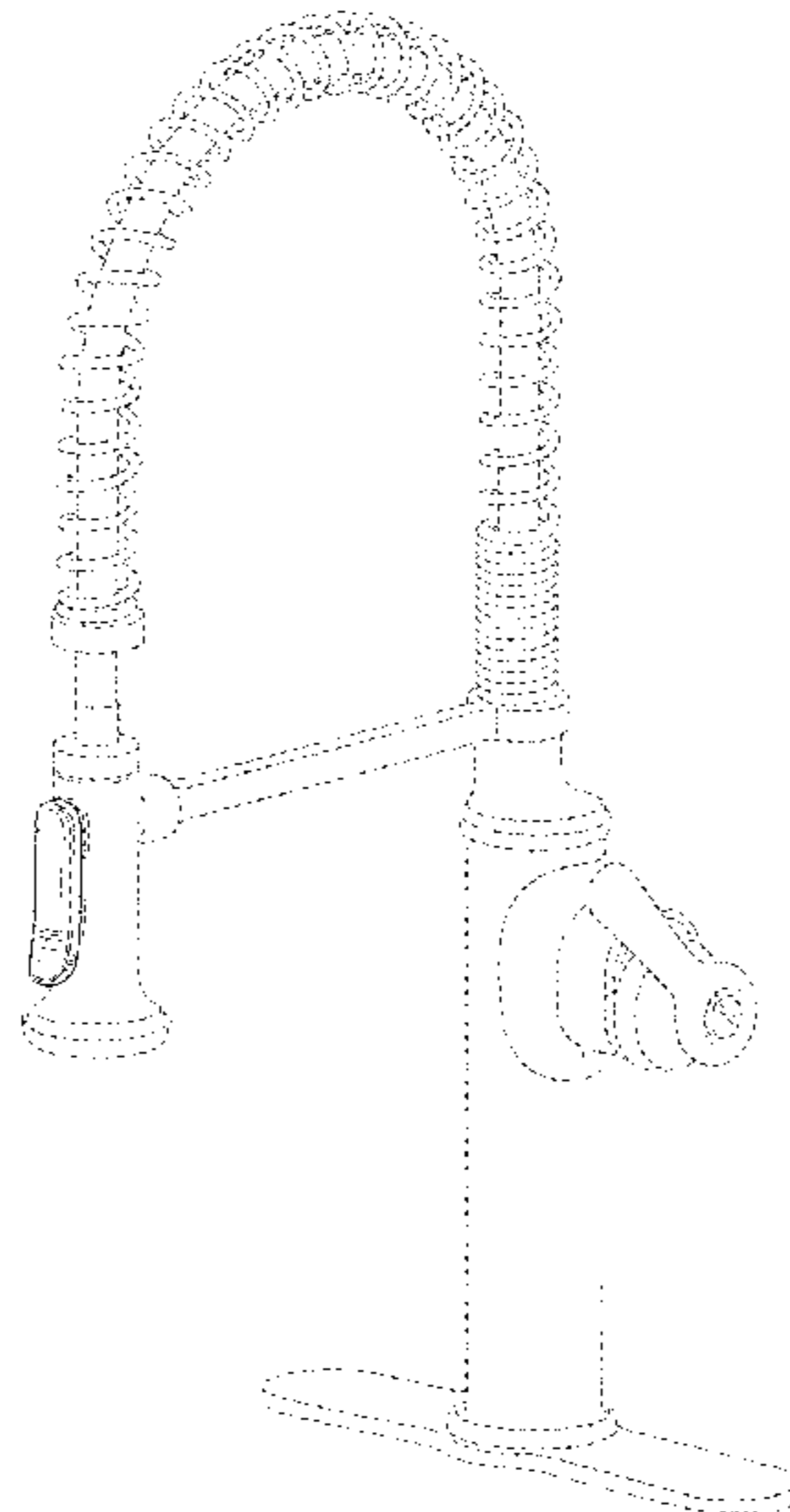
We claim the ornamental design for a faucet, as shown and described.

DESCRIPTION

FIG. 1 is a top, front, right perspective view of an embodiment of the claimed design;
 FIG. 2 is a front elevation view thereof;
 FIG. 3 is a rear elevation view thereof;
 FIG. 4 is a right side elevation view thereof;
 FIG. 5 is a left side elevation view thereof;
 FIG. 6 is a top plan view thereof; and,
 FIG. 7 is a bottom plan view thereof.

The ornamental design which is claimed is shown in solid lines in the drawings. The broken lines in the drawings form no part of the claimed design. Broken lines formed by equal length dashes show unclaimed subject matter.

1 Claim, 7 Drawing Sheets



(56)

References Cited

U.S. PATENT DOCUMENTS

D786,404 S	5/2017	Kaule
D786,409 S	5/2017	Rexach
2004/0112985 A1	6/2004	Malek

* cited by examiner

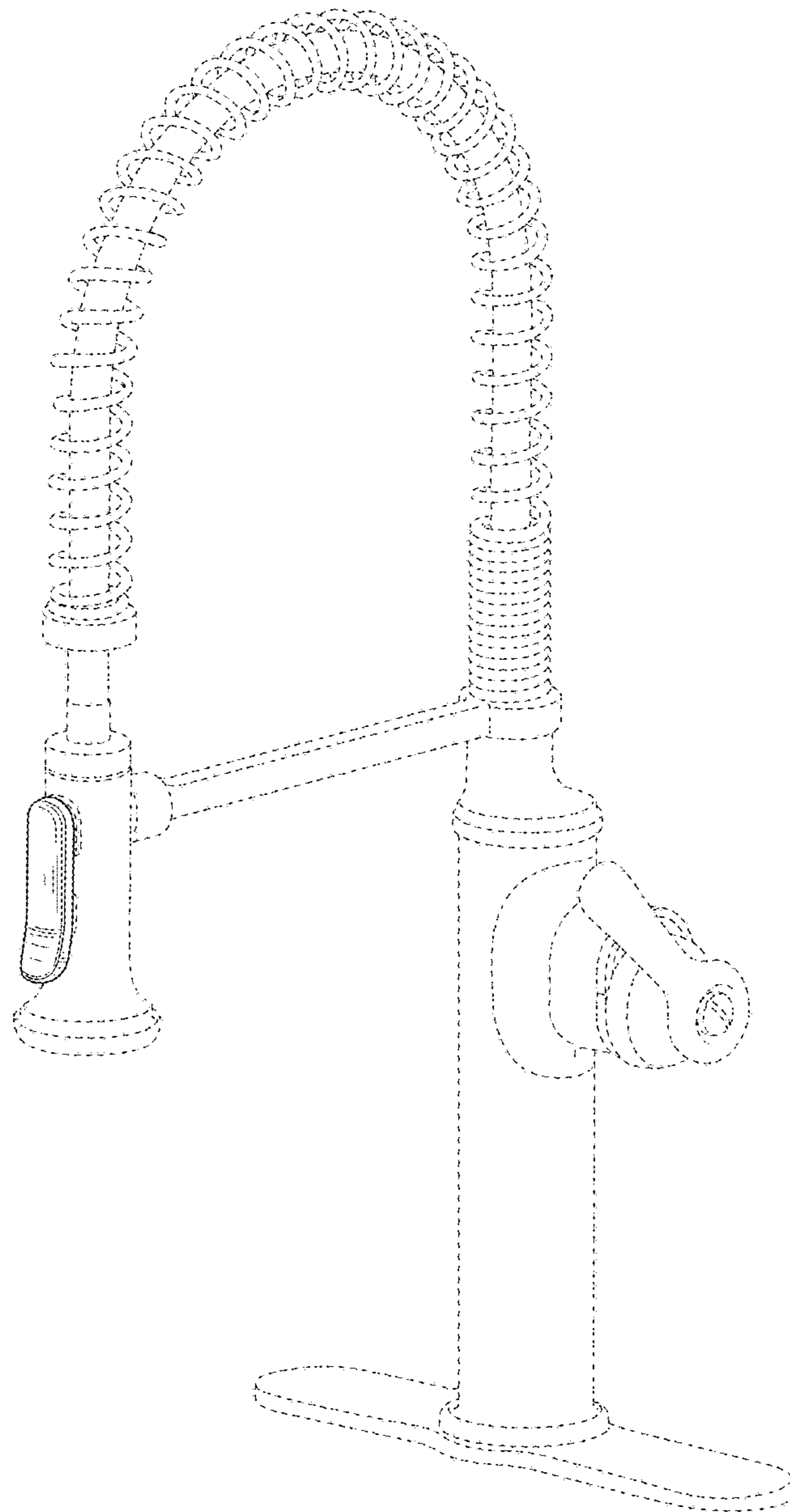


FIG. 1

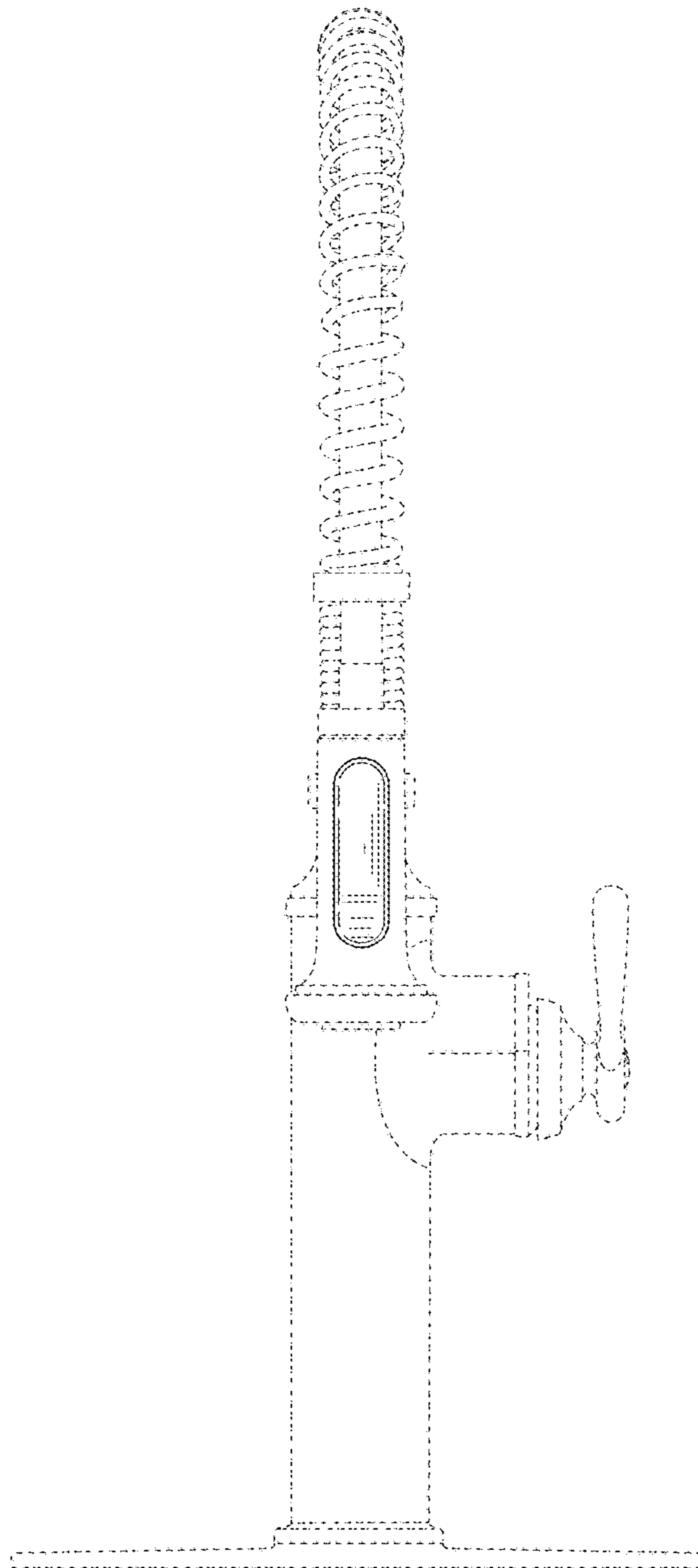
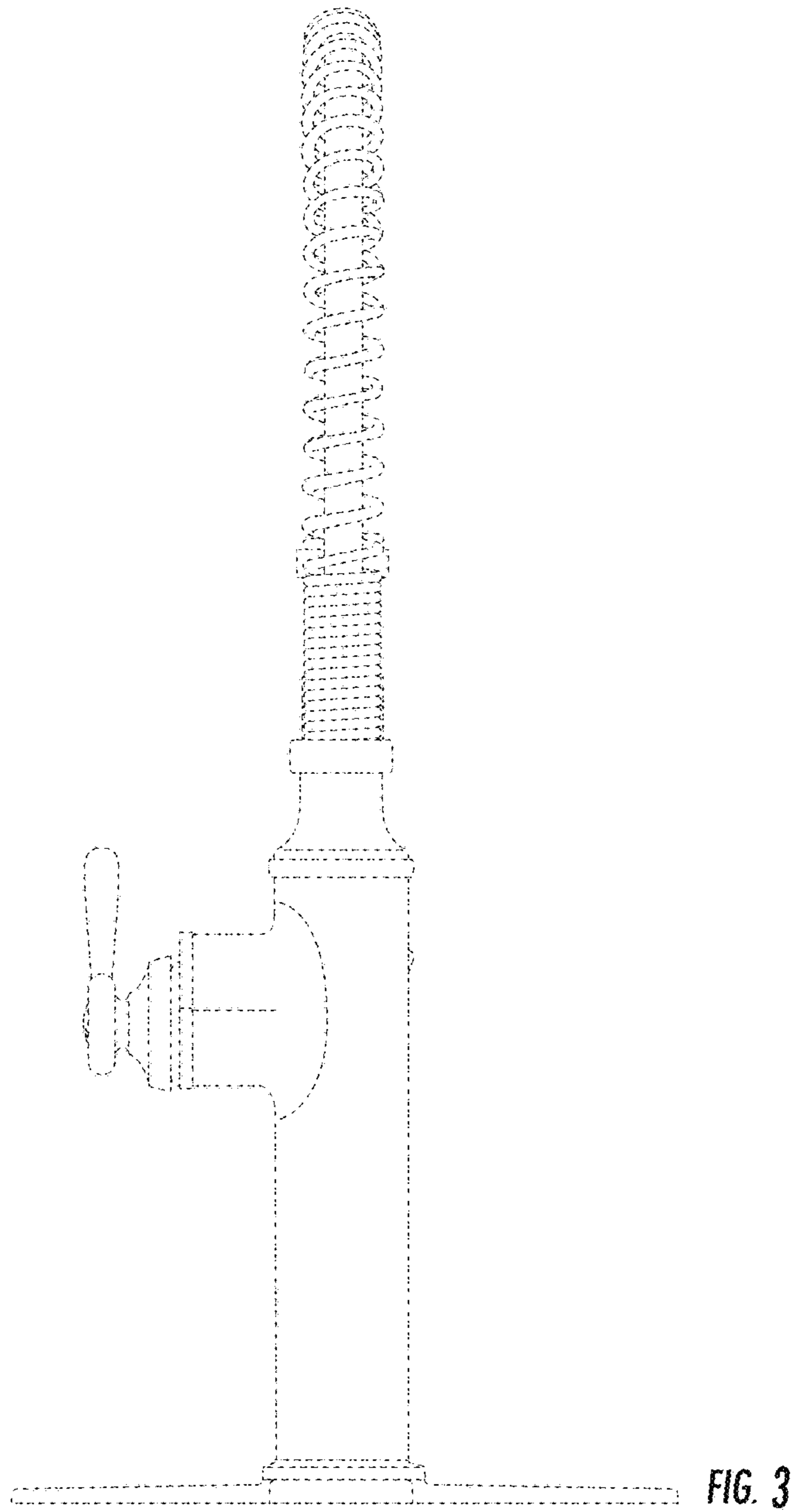


FIG. 2



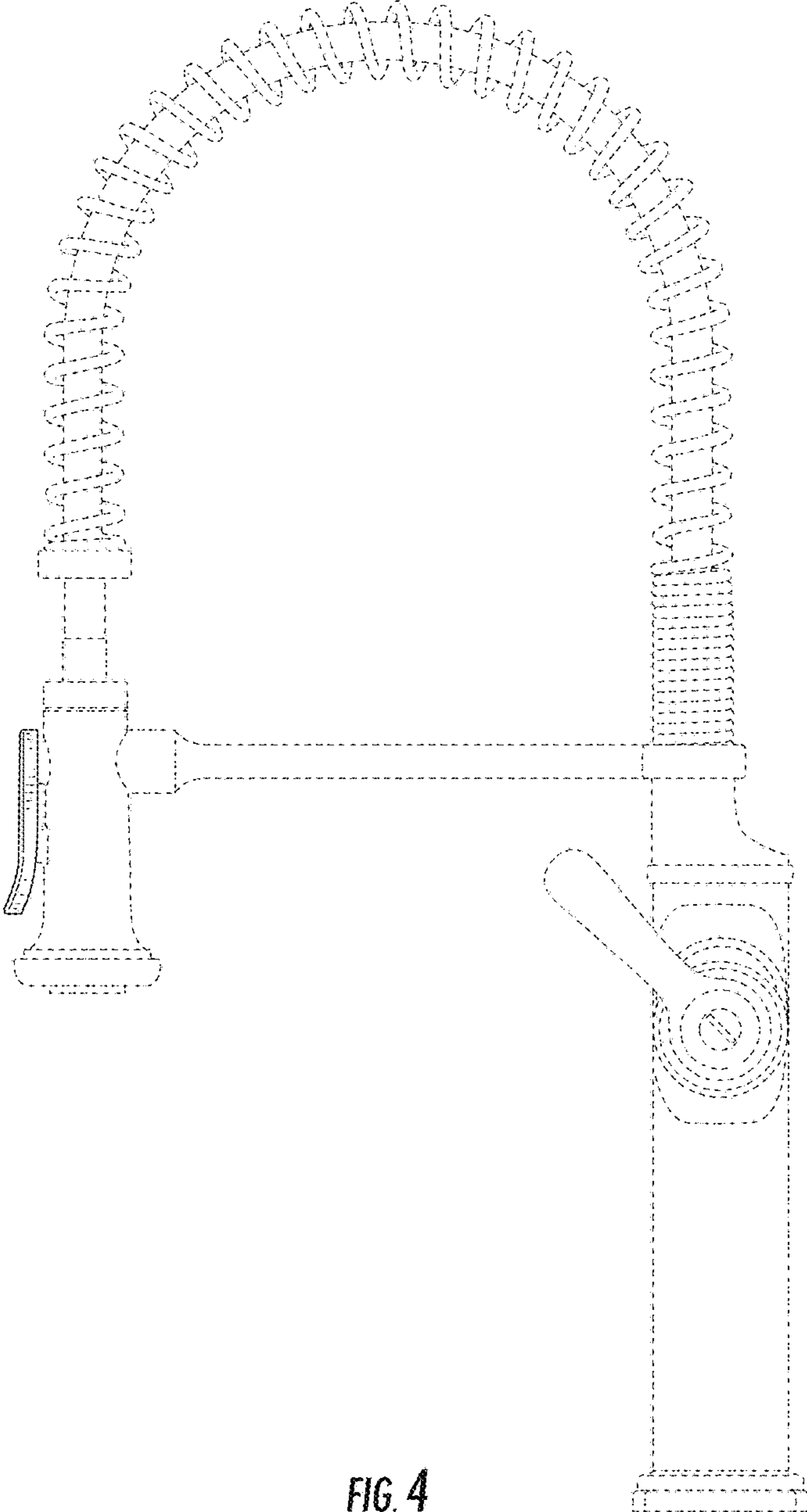


FIG. 4

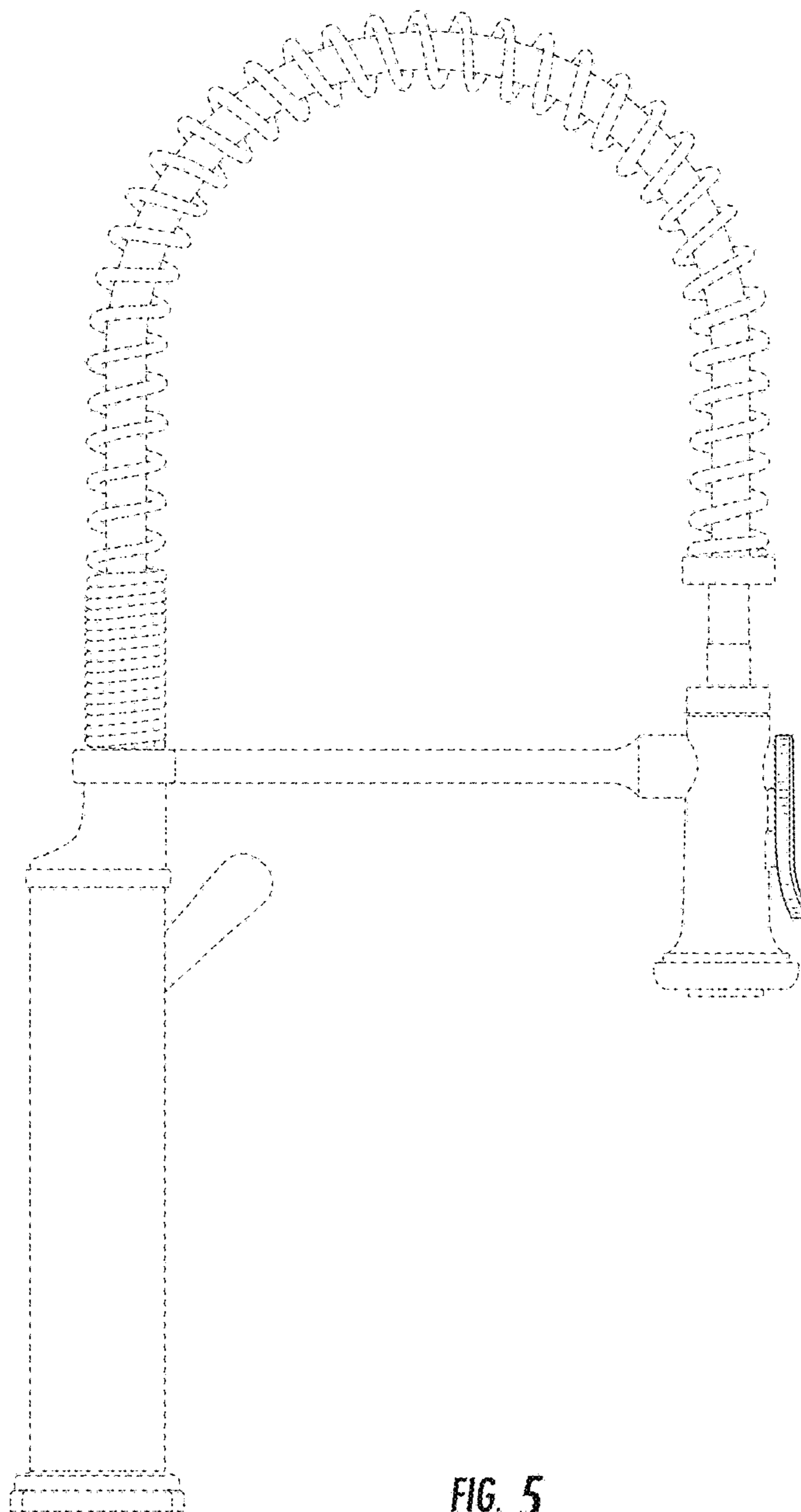


FIG. 5

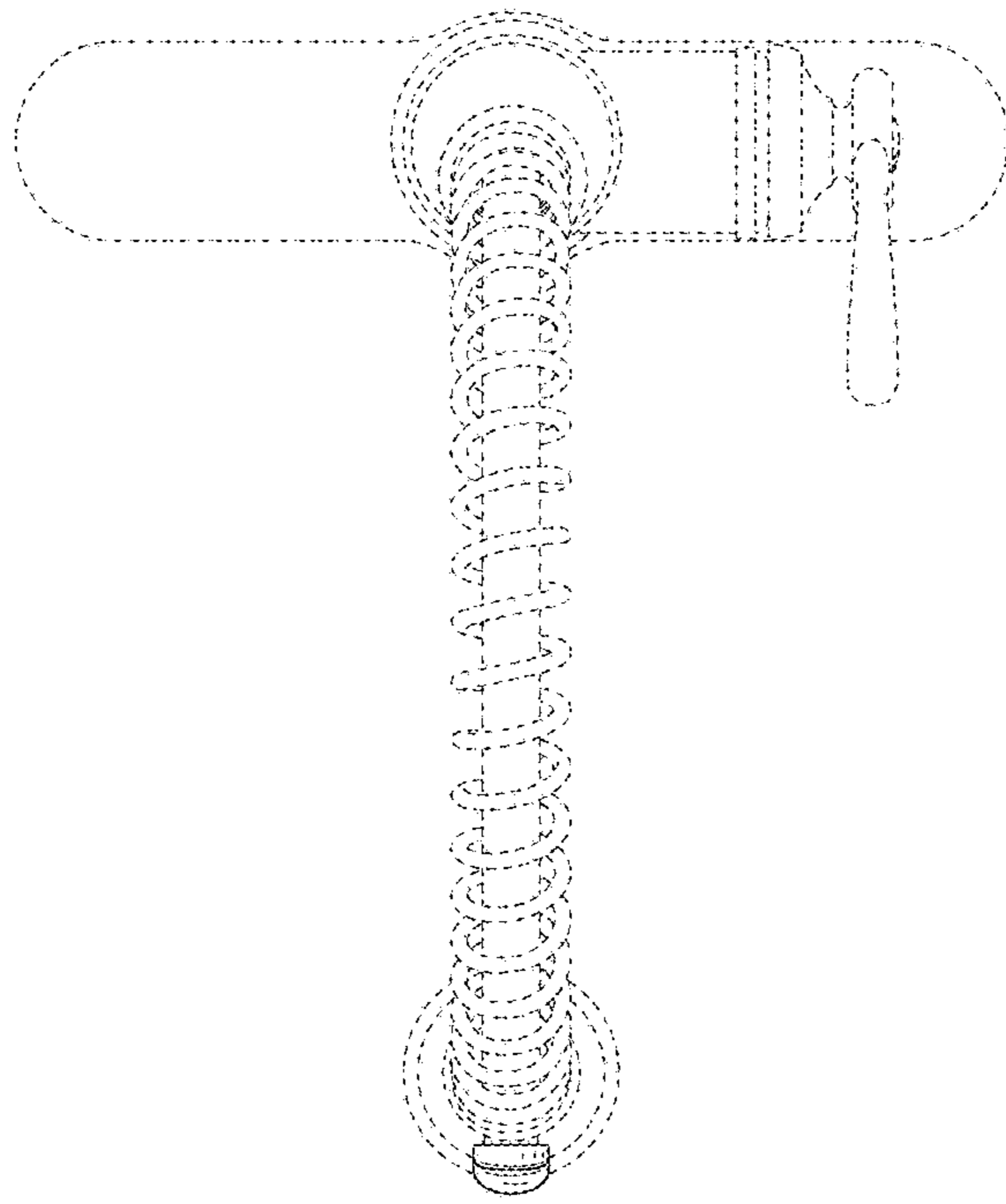


FIG. 6

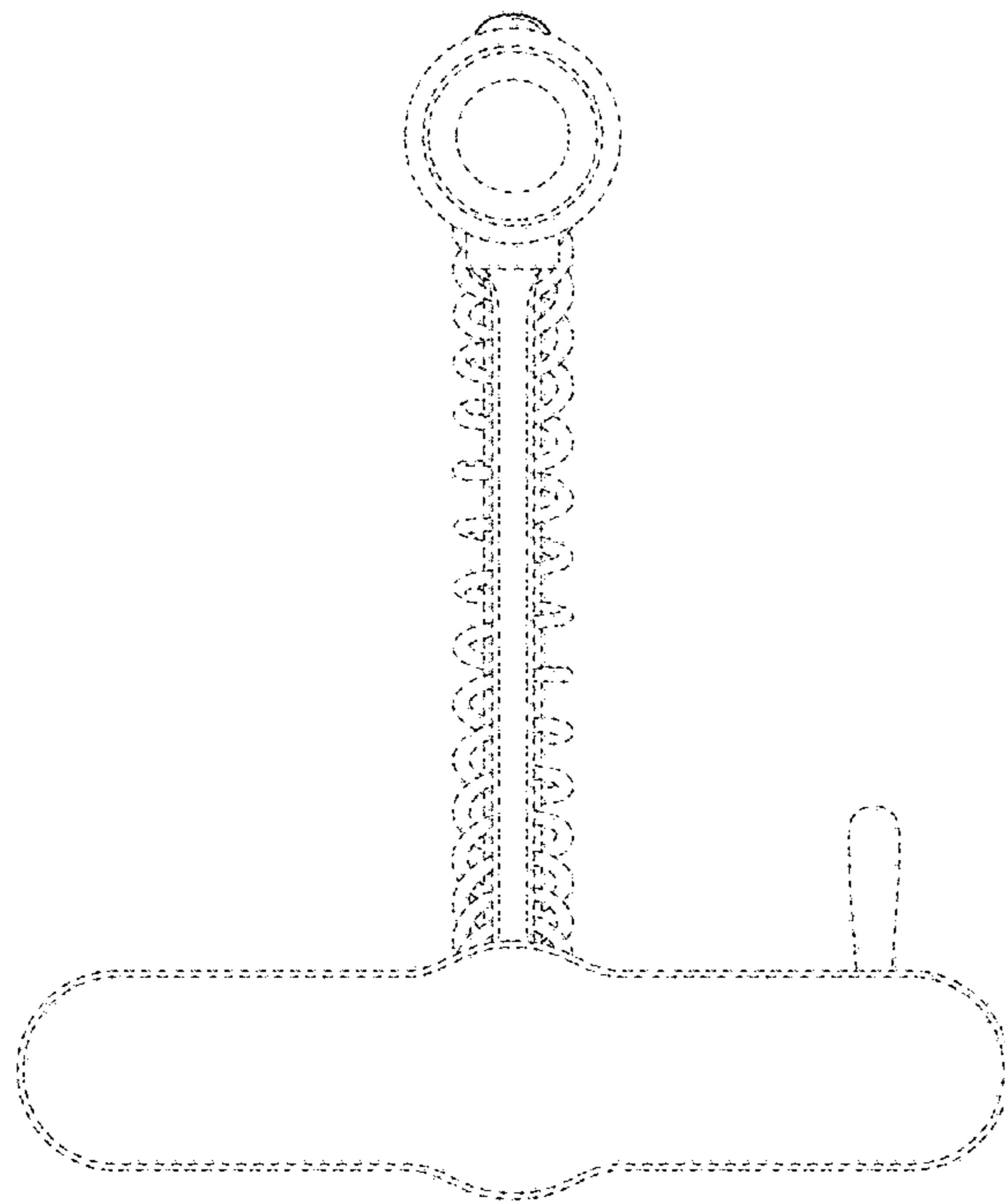


FIG. 7