



US00D846082S

(12) **United States Design Patent**  
**Eads et al.**

(10) **Patent No.:** **US D846,082 S**  
(45) **Date of Patent:** **\*\* Apr. 16, 2019**

(54) **FAUCET SPOUT**

(71) Applicant: **DELTA FAUCET COMPANY,**  
Indianapolis, IN (US)

(72) Inventors: **Thad Eads,** Urbana, IN (US); **Michael Scot Rosko,** Greenwood, IN (US)

(73) Assignee: **DELTA FAUCET COMPANY,**  
Indianapolis, IN (US)

(\*\*) Term: **15 Years**

(21) Appl. No.: **29/638,056**

(22) Filed: **Feb. 23, 2018**

(51) **LOC (11) Cl.** ..... **23-01**

(52) **U.S. Cl.**  
USPC ..... **D23/255**

(58) **Field of Classification Search**  
USPC ..... D23/238–243, 249, 255, 257  
CPC ..... Y10T 137/9464  
See application file for complete search history.

(56) **References Cited**

**U.S. PATENT DOCUMENTS**

D265,229 S \* 6/1982 Paul ..... D23/242  
D304,225 S \* 10/1989 Lathrop ..... D23/257

D492,392 S \* 6/2004 Pohl ..... D23/241  
D566,815 S \* 4/2008 Wang ..... D23/242  
D580,016 S \* 11/2008 Downey ..... D23/238  
D614,734 S \* 4/2010 Kulig ..... D23/242  
D619,221 S \* 7/2010 Kulig ..... D23/242  
D631,947 S \* 2/2011 Obara ..... D23/255  
D759,212 S \* 6/2016 Eads ..... D23/255

\* cited by examiner

*Primary Examiner* — Robert A Delehanty

(74) *Attorney, Agent, or Firm* — Edgar A. Zarins; Nirav D. Parikh

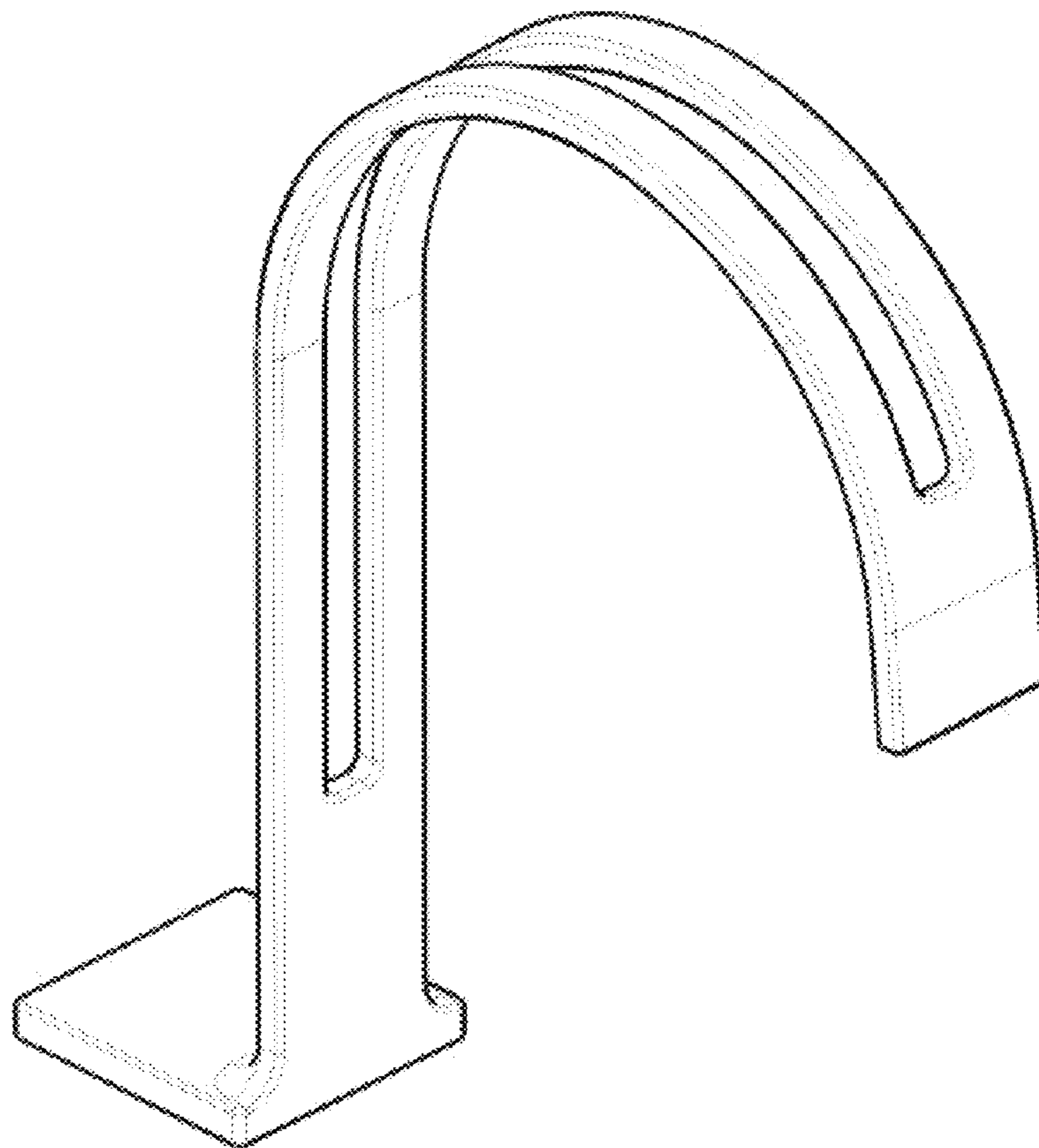
(57) **CLAIM**

The ornamental design for a faucet spout, as shown and described.

**DESCRIPTION**

FIG. 1 is a front perspective view of a faucet spout showing our new design;  
FIG. 2 is a rear perspective view thereof;  
FIG. 3 is a front elevational view thereof;  
FIG. 4 is a left side view thereof;  
FIG. 5 is a rear view thereof;  
FIG. 6 is a right side view thereof;  
FIG. 7 is a top plan view thereof; and,  
FIG. 8 is a bottom view thereof.

**1 Claim, 4 Drawing Sheets**



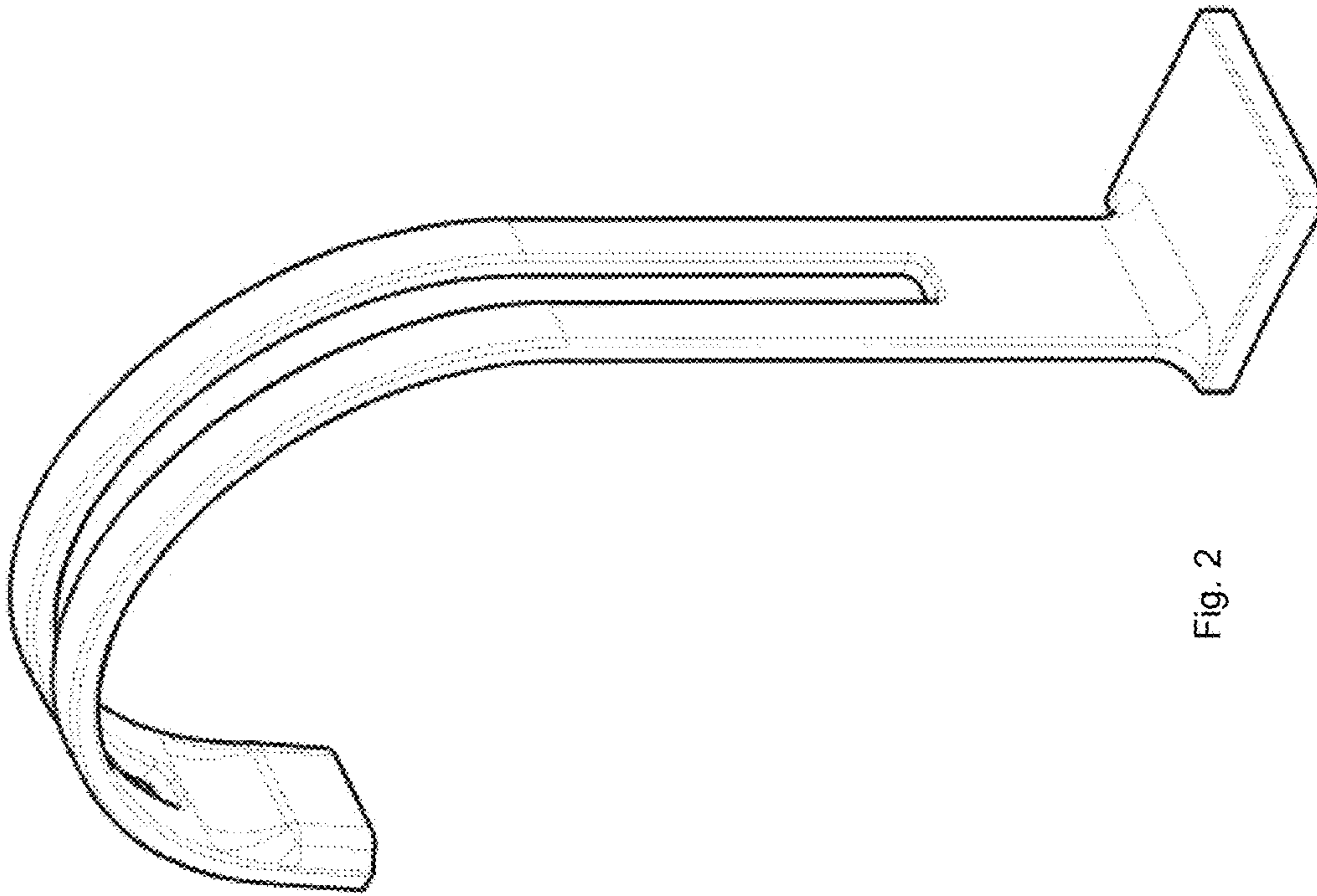


Fig. 2

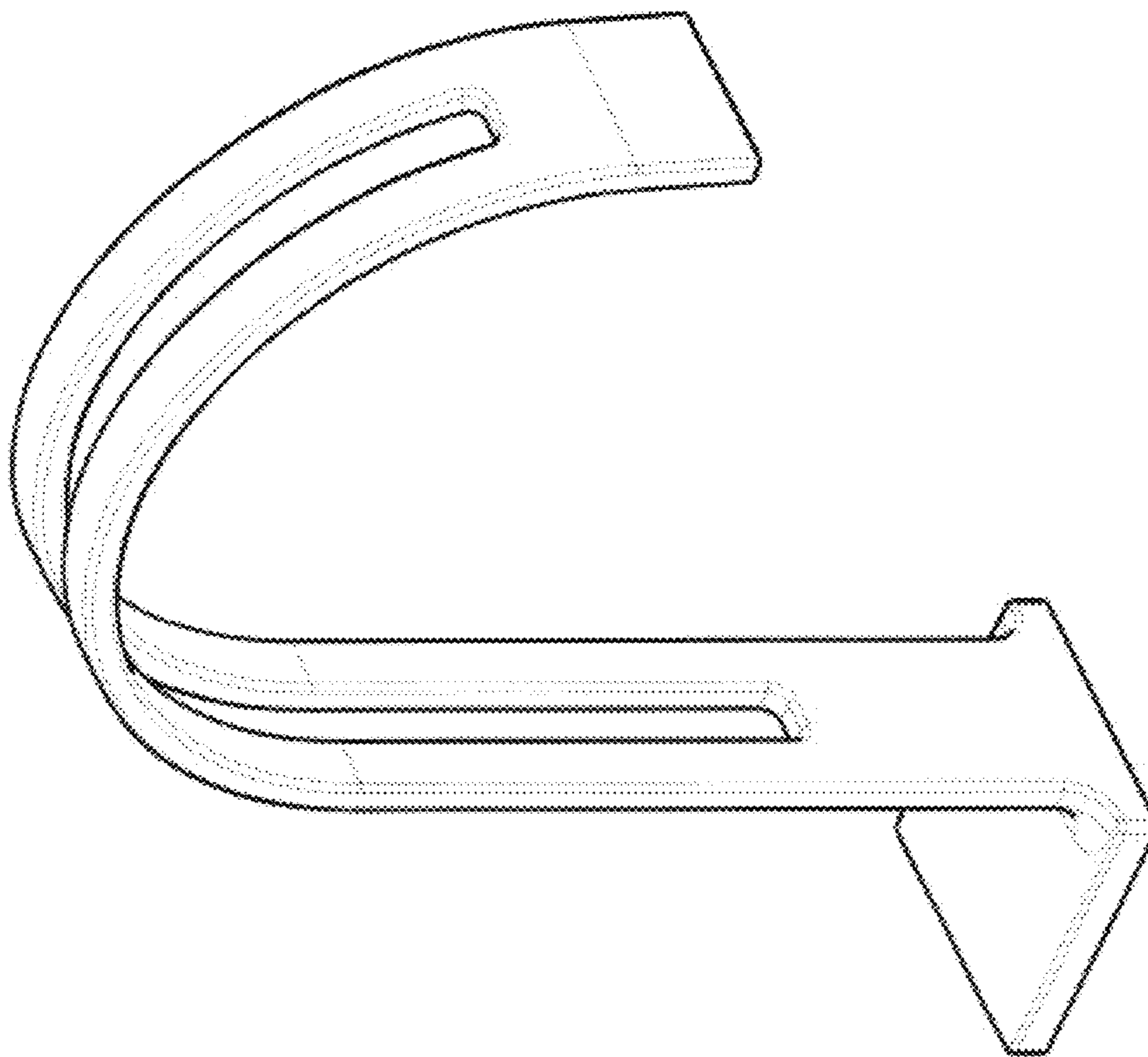


Fig. 1

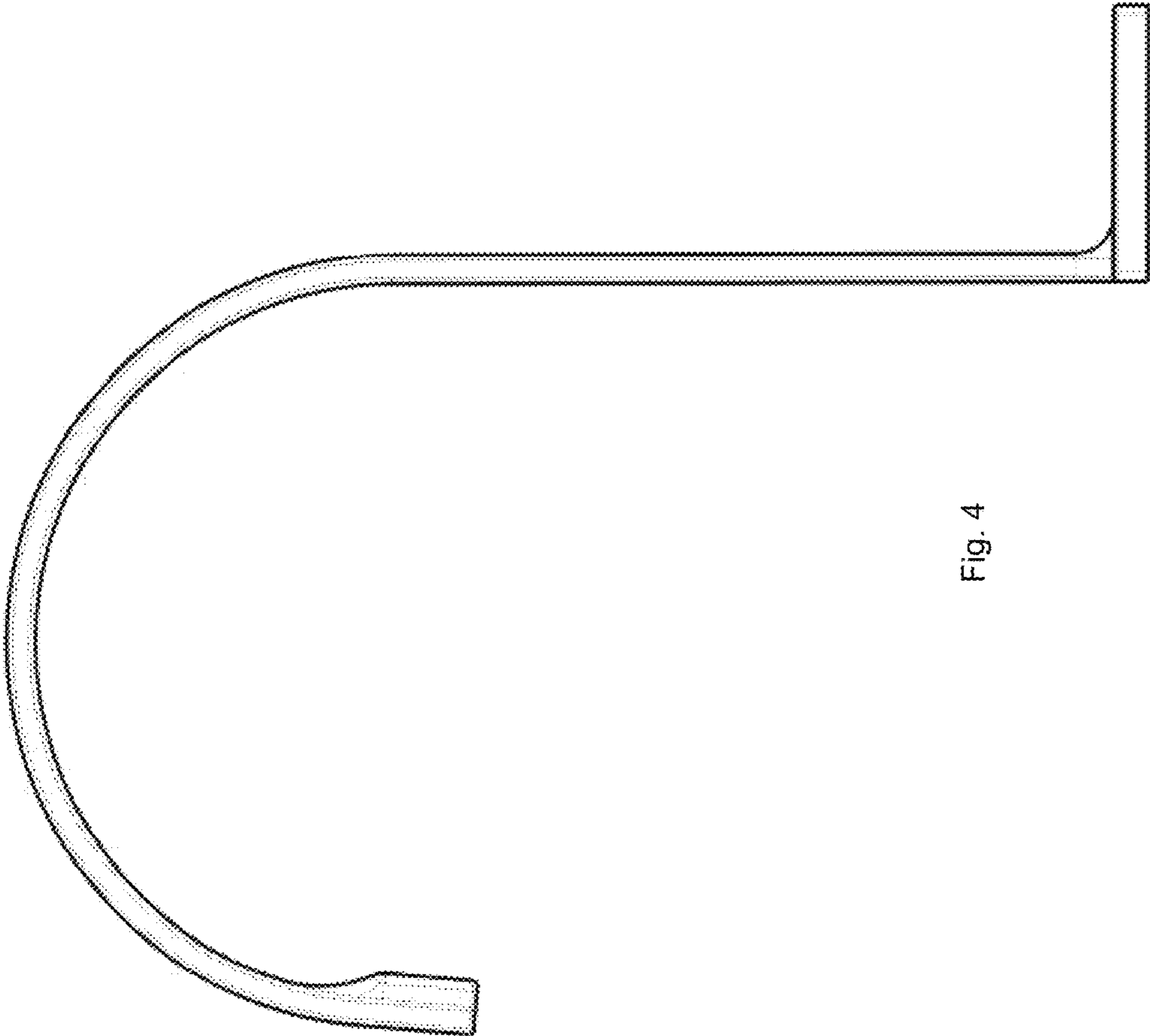


Fig. 4

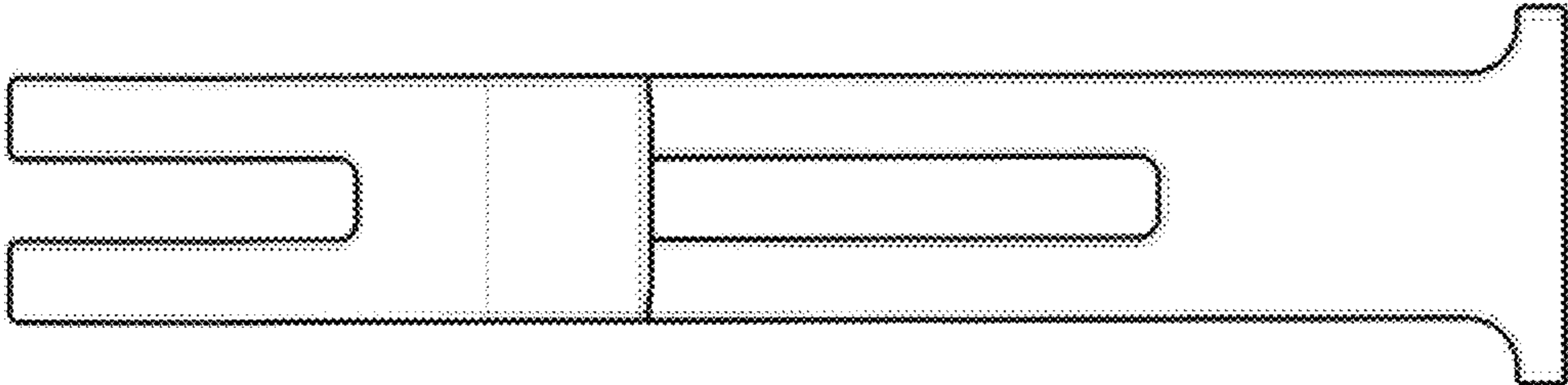


Fig. 3

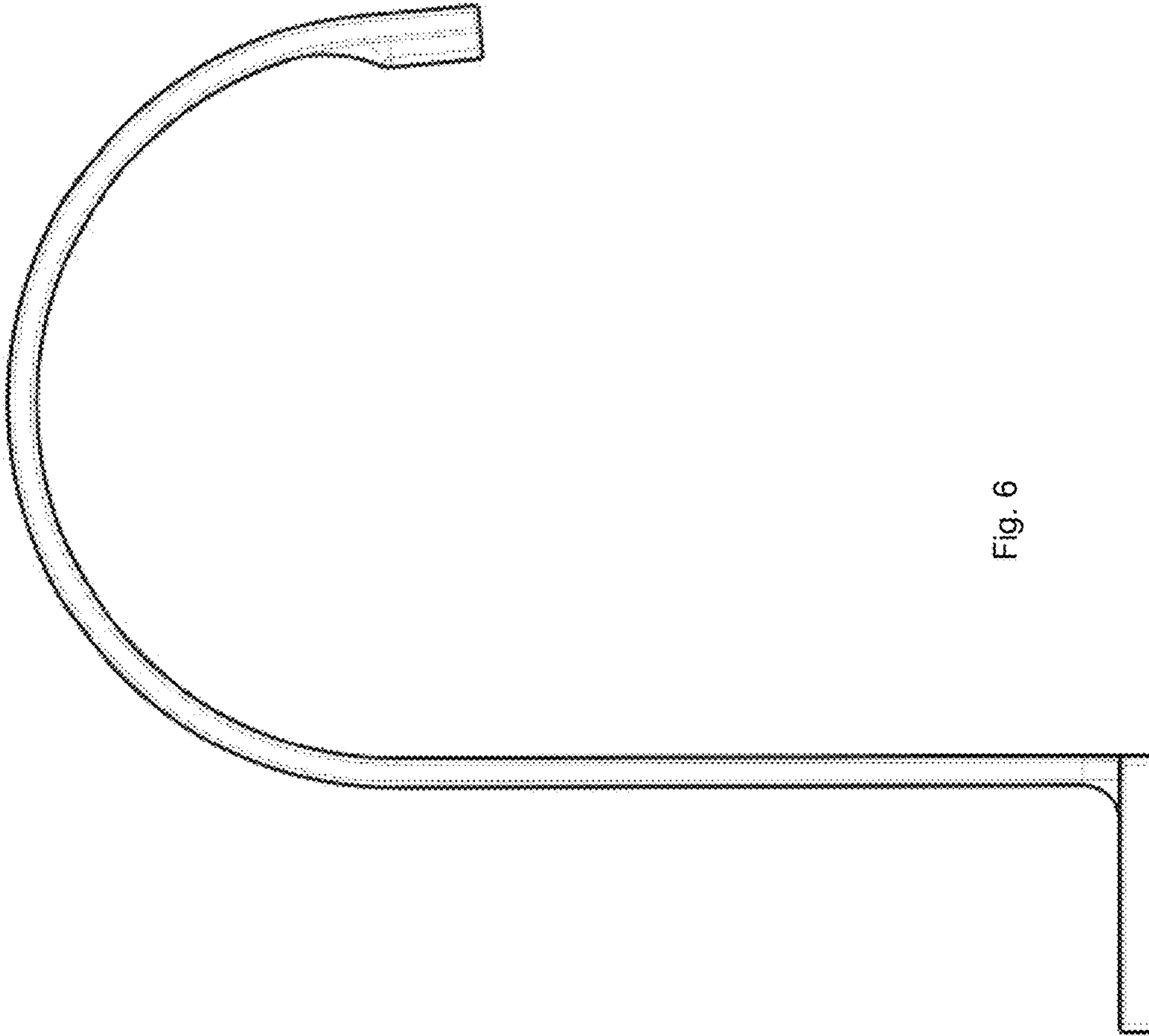


Fig. 6

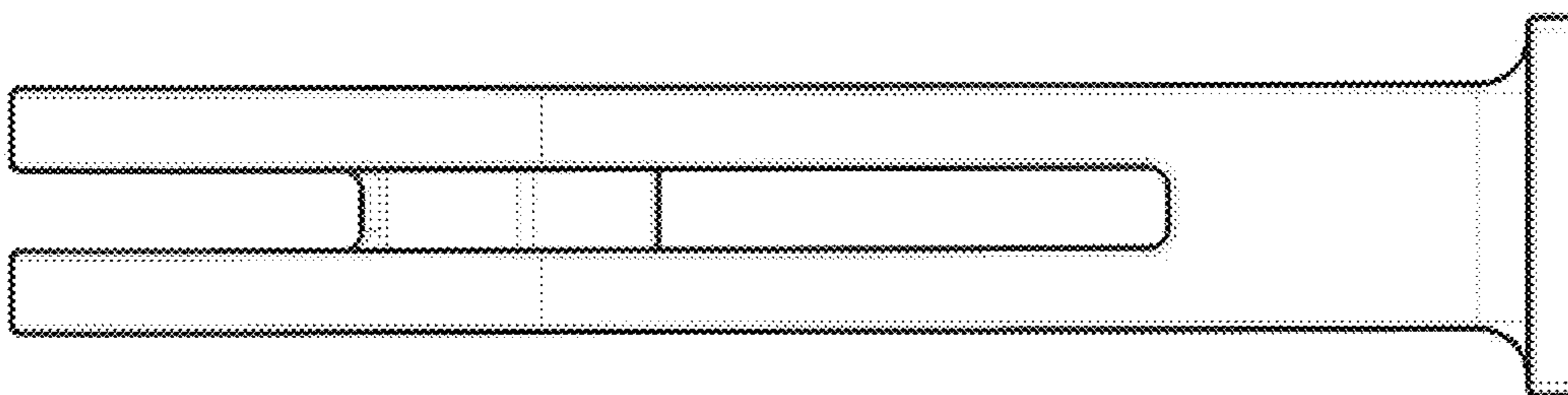


Fig. 5

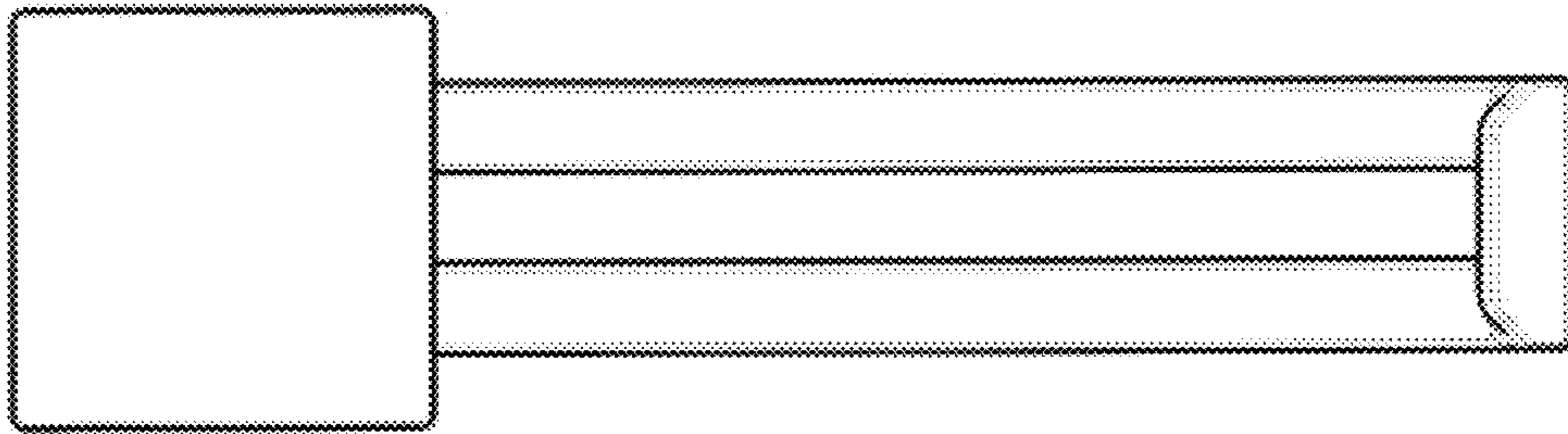


Fig. 8

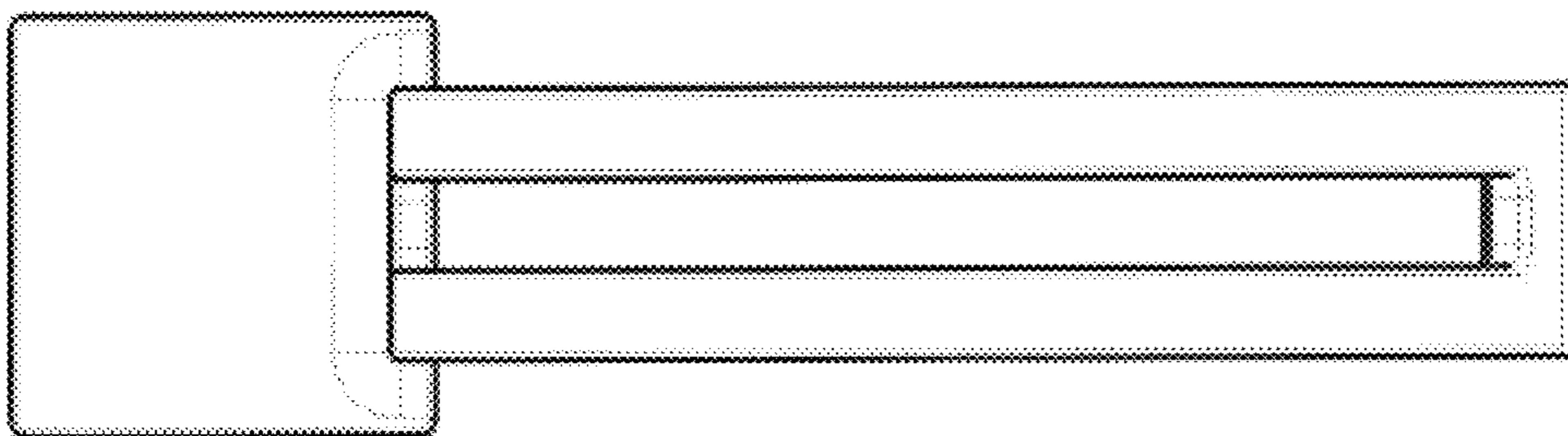


Fig. 7