



US00D846081S

(12) **United States Design Patent** (10) **Patent No.:** **US D846,081 S**
Schoenherr et al. (45) **Date of Patent:** **** *Apr. 16, 2019**

(54) **FAUCET**
(71) Applicant: **Hansgrohe SE**, Schiltach (DE)
(72) Inventors: **Tom Schoenherr**, Stuttgart (DE);
Andreas Diefenbach,
Ludwigsburg-Oßweill (DE); **Marc**
Michalak, Kornwestheim (DE)
(73) Assignee: **Hansgrohe SE**, Schiltach (DE)
(*) Notice: This patent is subject to a terminal dis-
claimer.
(**) Term: **15 Years**
(21) Appl. No.: **29/611,161**
(22) Filed: **Jul. 19, 2017**
(30) **Foreign Application Priority Data**
Jan. 26, 2017 (EM) 001456776-0022
(51) **LOC (11) Cl.** **23-01**
(52) **U.S. Cl.**
USPC **D23/255**
(58) **Field of Classification Search**
USPC D23/238-242, 249, 255, 257
CPC Y10T 137/9464
See application file for complete search history.

D529,131 S * 9/2006 Haug D23/238
D586,881 S * 2/2009 Lammel D23/238
D613,374 S * 4/2010 Lammel D23/238
D624,988 S * 10/2010 Lammel D23/238
D646,759 S * 10/2011 Lobermeier D23/255
D752,186 S * 3/2016 Schoenherr D23/255
D757,230 S * 5/2016 Schoenherr D23/255
D773,612 S * 12/2016 Flowers D23/238

FOREIGN PATENT DOCUMENTS

CN 301949103 6/2012
CN 301978259 7/2012
CN 302011648 7/2012
CN 302044976 8/2012

OTHER PUBLICATIONS

Brochure—TOTO 2012/2013 Faucets/Accessories Catalogue, 6 pgs.,
Shanghai, China—at least as early as May 23, 2012.

* cited by examiner

Primary Examiner — Robert A Delehanty
(74) *Attorney, Agent, or Firm* — Lora J. Graentzdoerffer

(57) **CLAIM**

The ornamental design for a faucet, as shown and described.

DESCRIPTION

FIG. 1 is a perspective view;
FIG. 2 is a front elevation view;
FIG. 3 is a rear elevation view;
FIG. 4 is a side elevation view;
FIG. 5 is a top plan view; and,
FIG. 6 is a bottom plan view.
The broken lines indicate portions of the faucet which forms
no part of the claimed design.

1 Claim, 6 Drawing Sheets

(56) **References Cited**
U.S. PATENT DOCUMENTS
D355,706 S * 2/1995 Chretien D23/238
D358,867 S * 5/1995 Haug D23/238
D410,277 S * 5/1999 Lobermeier D23/238
D441,426 S * 5/2001 Lim D23/238
D441,429 S * 5/2001 Mullenmeister D23/238

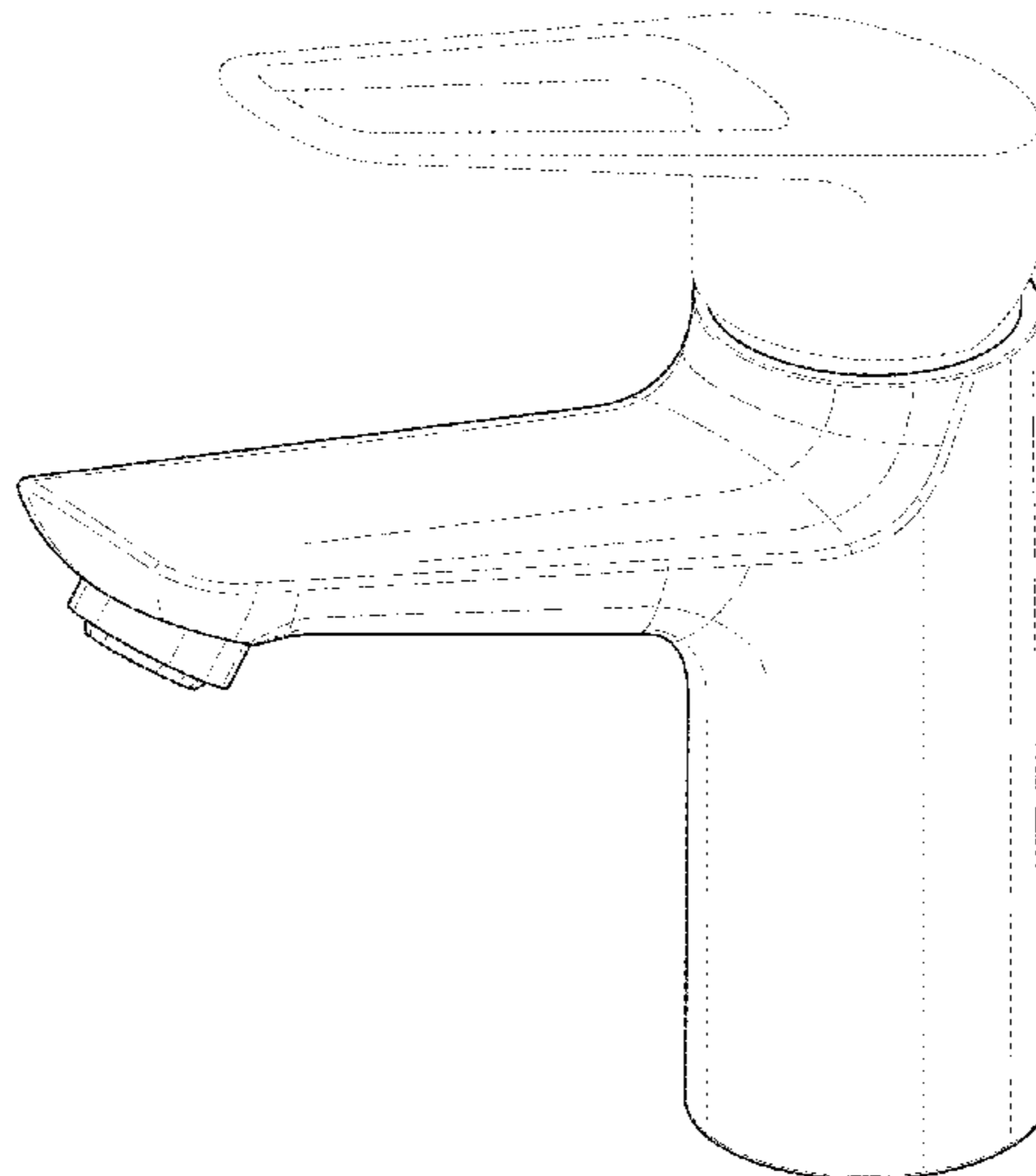


FIG. 1

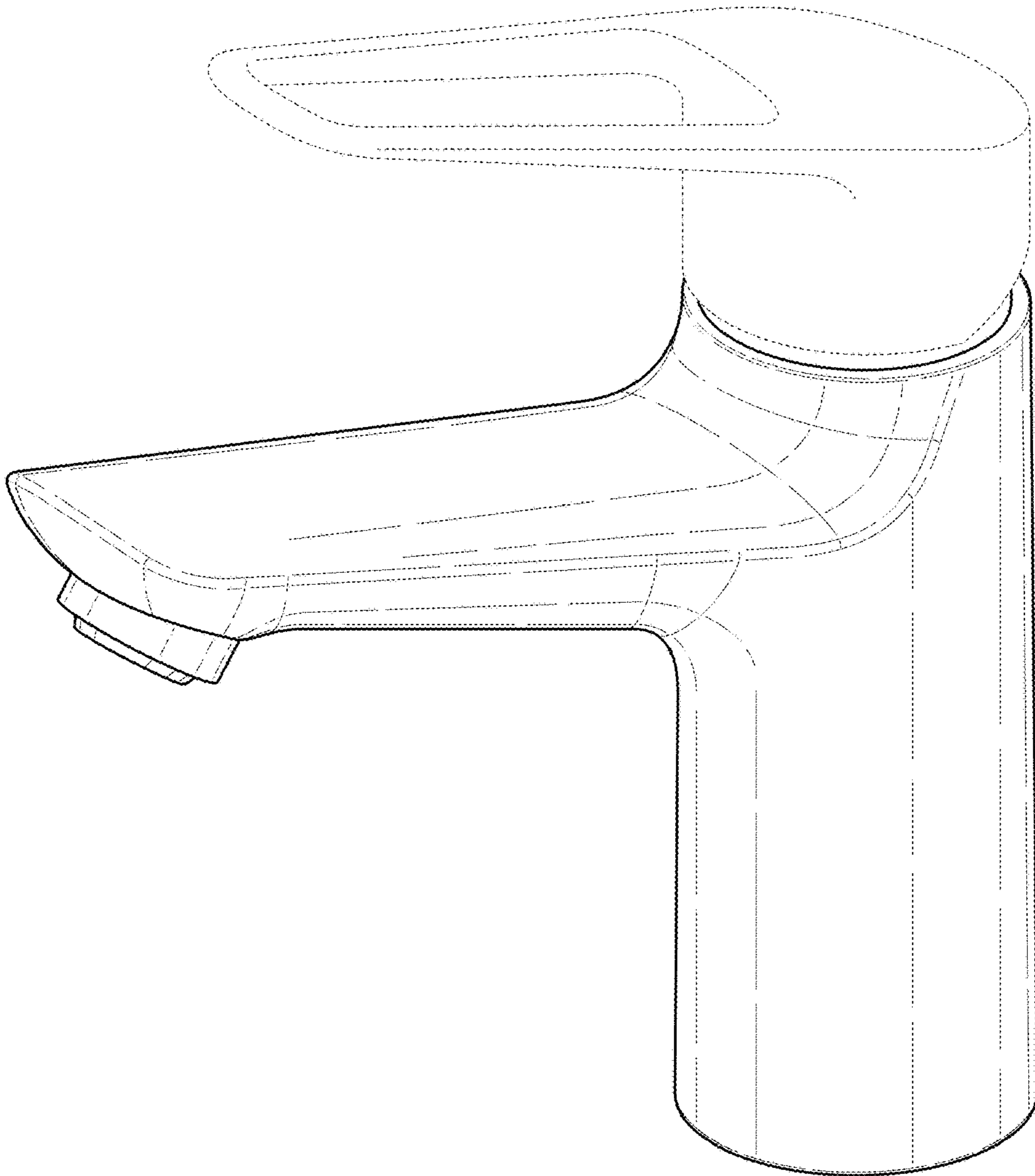


FIG. 2

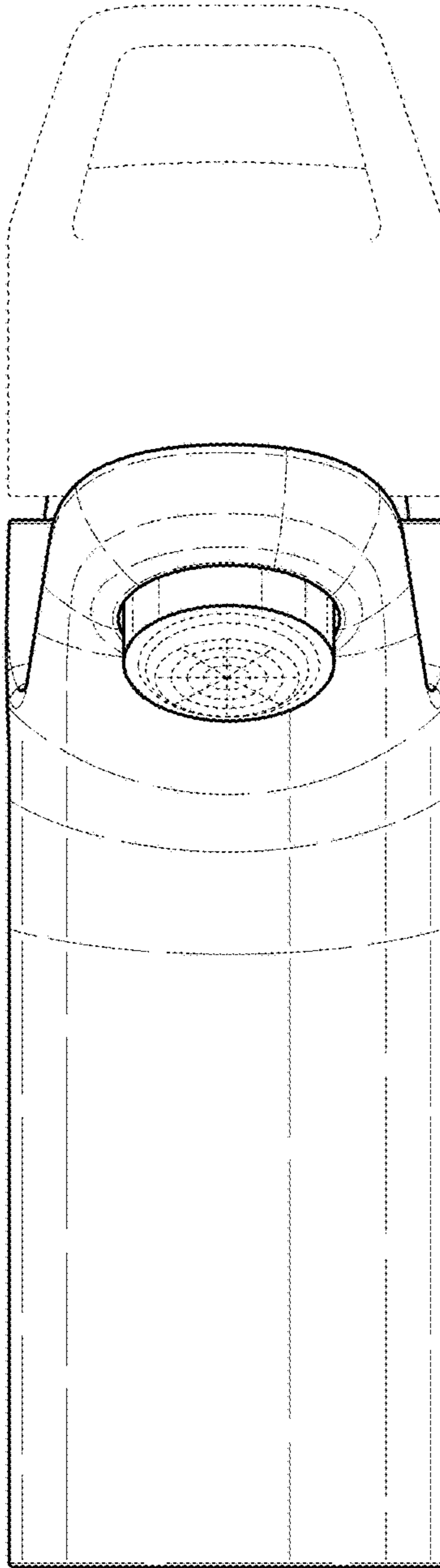


FIG. 3

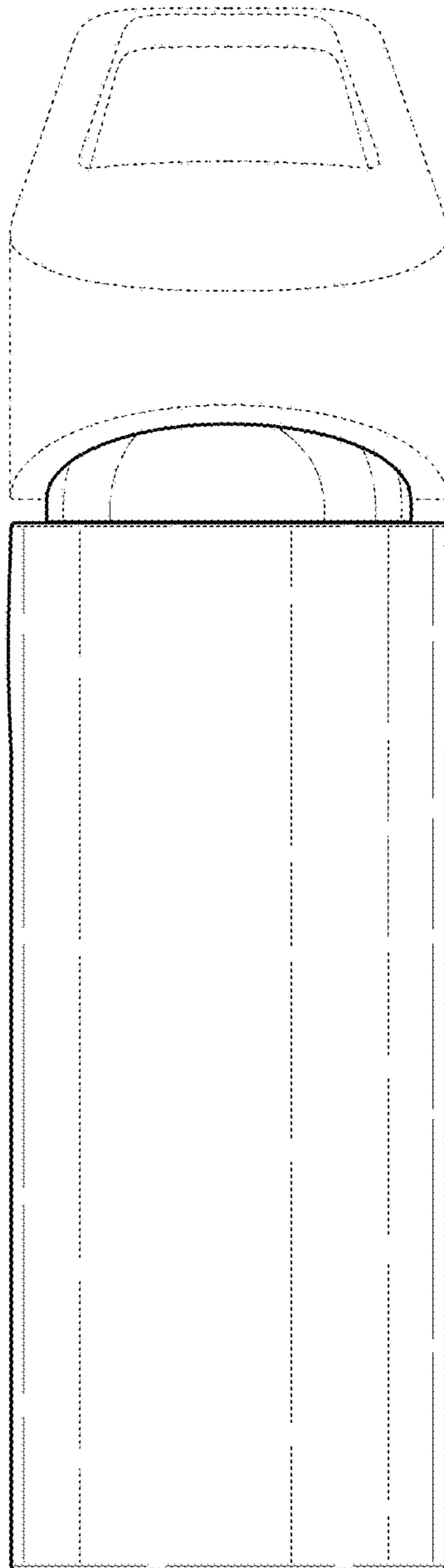


FIG. 4

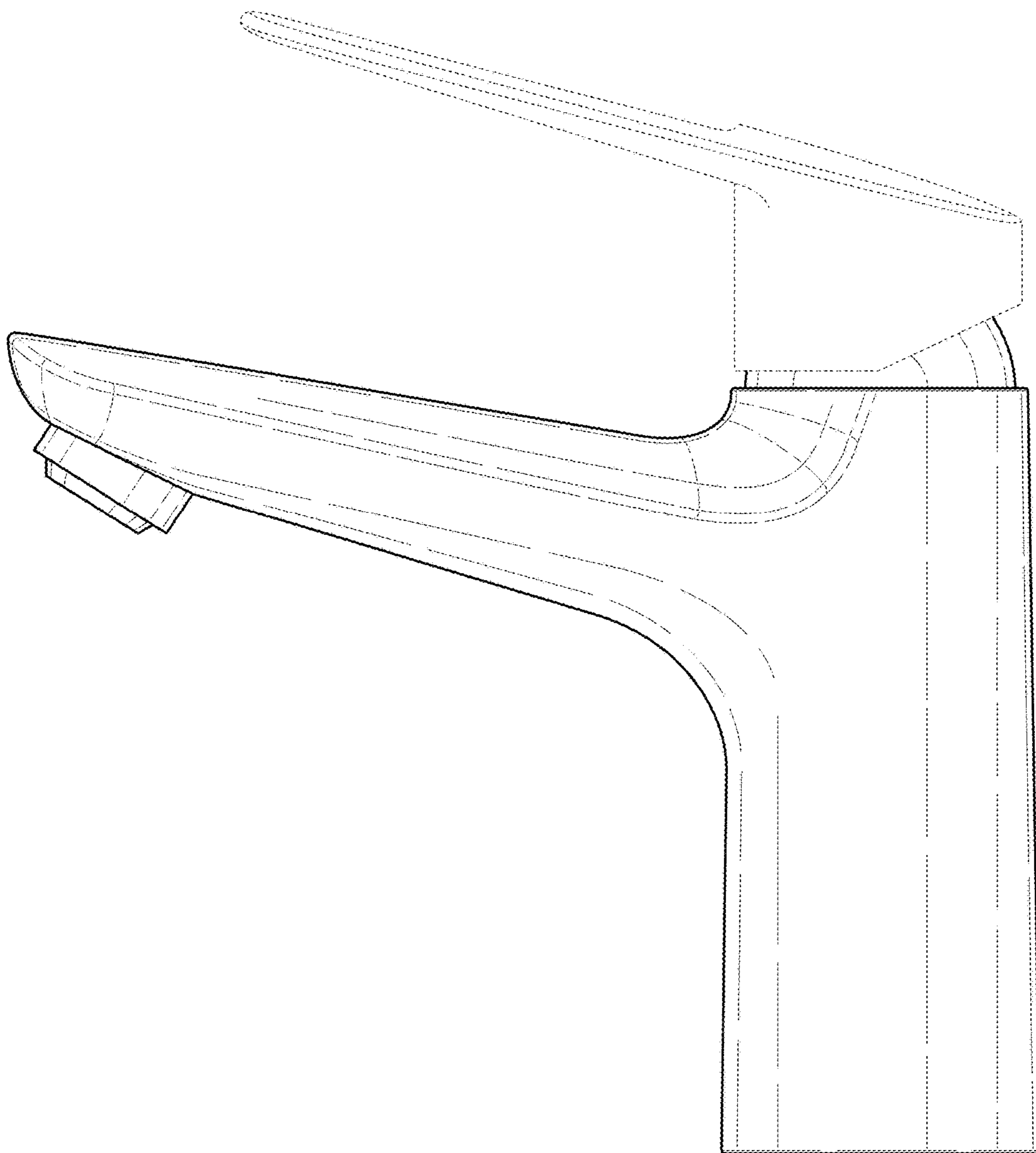


FIG. 5

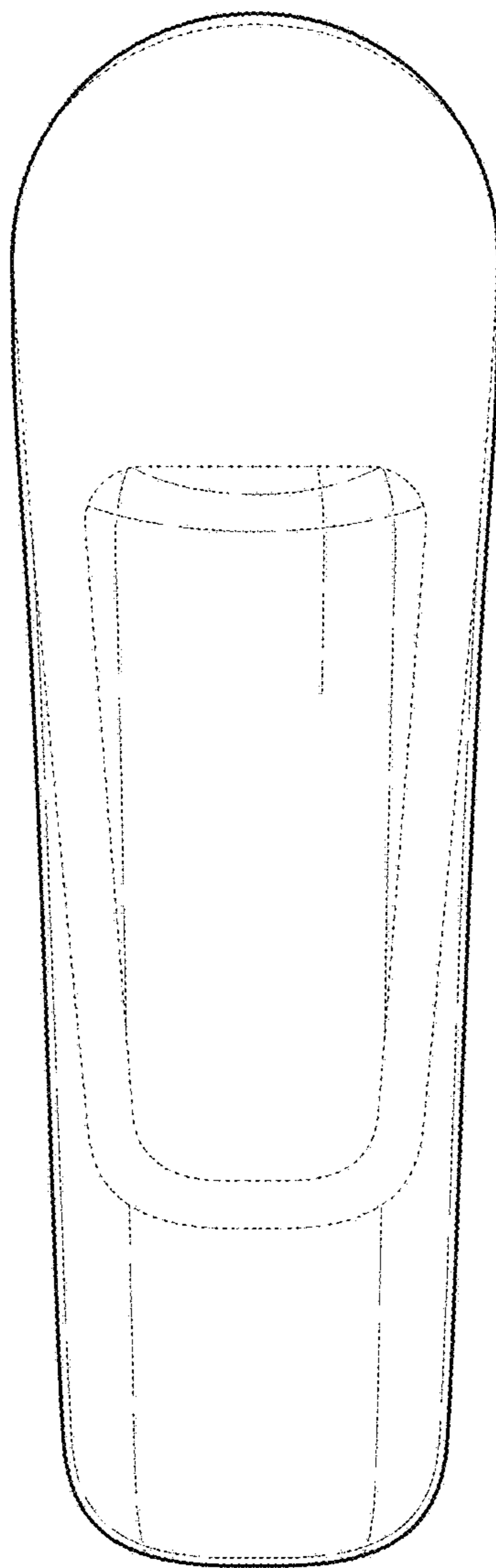


FIG. 6

