



US00D846078S

(12) **United States Design Patent**
Eads

(10) **Patent No.:** **US D846,078 S**

(45) **Date of Patent:** **** Apr. 16, 2019**

(54) **FAUCET**

(71) Applicant: **DELTA FAUCET COMPANY,**
Indianapolis, IN (US)

(72) Inventor: **Thad Eads,** Urbana, IN (US)

(73) Assignee: **DELTA FAUCET COMPANY,**
Indianapolis, IN (US)

(**) Term: **15 Years**

(21) Appl. No.: **29/618,390**

(22) Filed: **Sep. 21, 2017**

(51) **LOC (11) Cl.** **23-01**

(52) **U.S. Cl.**
USPC **D23/238**

(58) **Field of Classification Search**
USPC D23/238–243, 249, 255, 257
CPC Y10T 137/9464
See application file for complete search history.

(56) **References Cited**

U.S. PATENT DOCUMENTS

D51,289 S * 9/1917 Shibley D23/238
D113,398 S * 2/1939 Reinecke D23/238

D149,379 S * 4/1948 Sayre D23/238
D291,590 S * 8/1987 Bengtsson D23/238
D324,904 S * 3/1992 Haug D23/238
D384,729 S * 10/1997 Fabian D23/238
D443,033 S * 5/2001 Green D23/252

* cited by examiner

Primary Examiner — Robert A Delehanty

(74) *Attorney, Agent, or Firm* — Edgar A. Zarins; Nirav D. Parikh

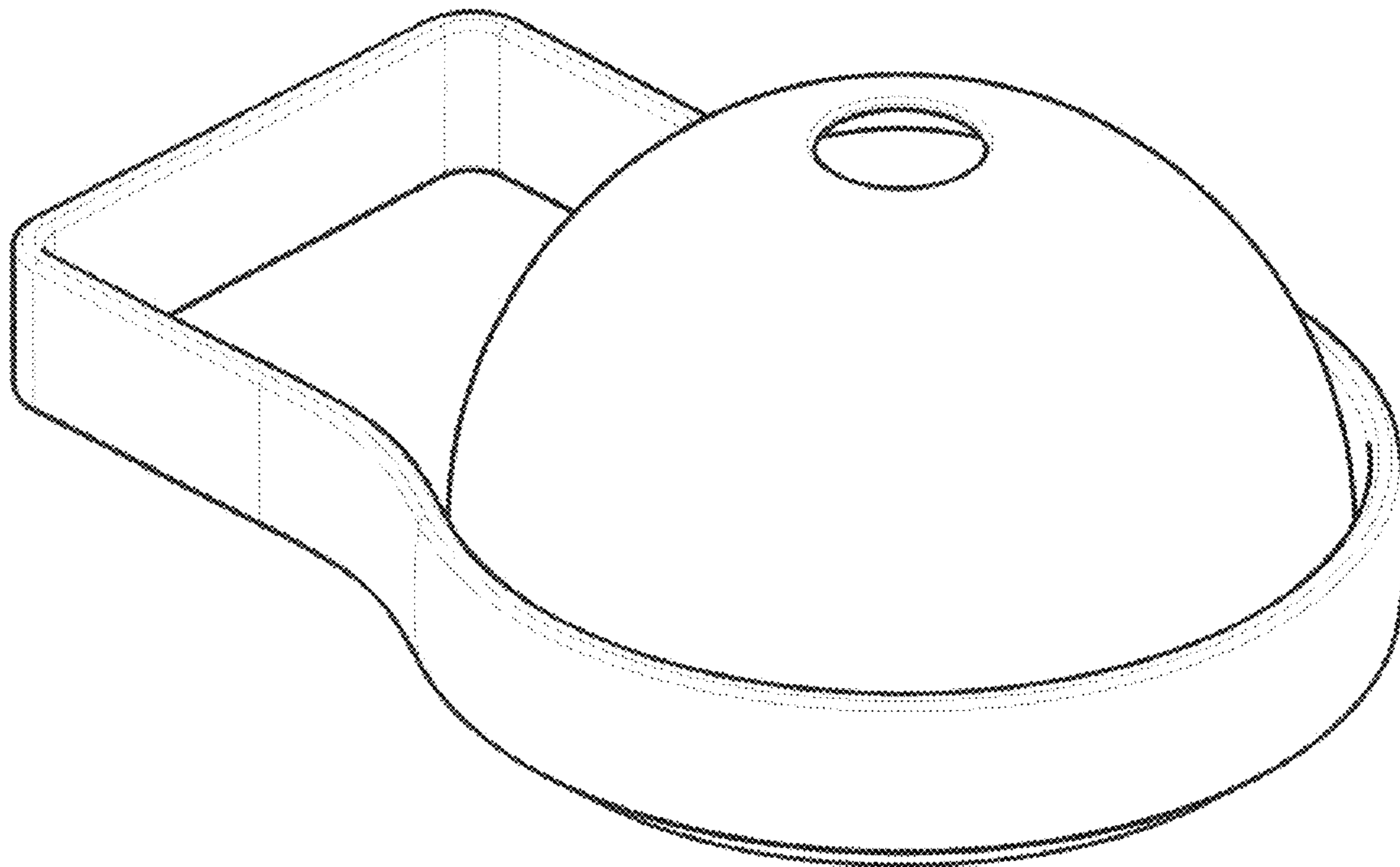
(57) **CLAIM**

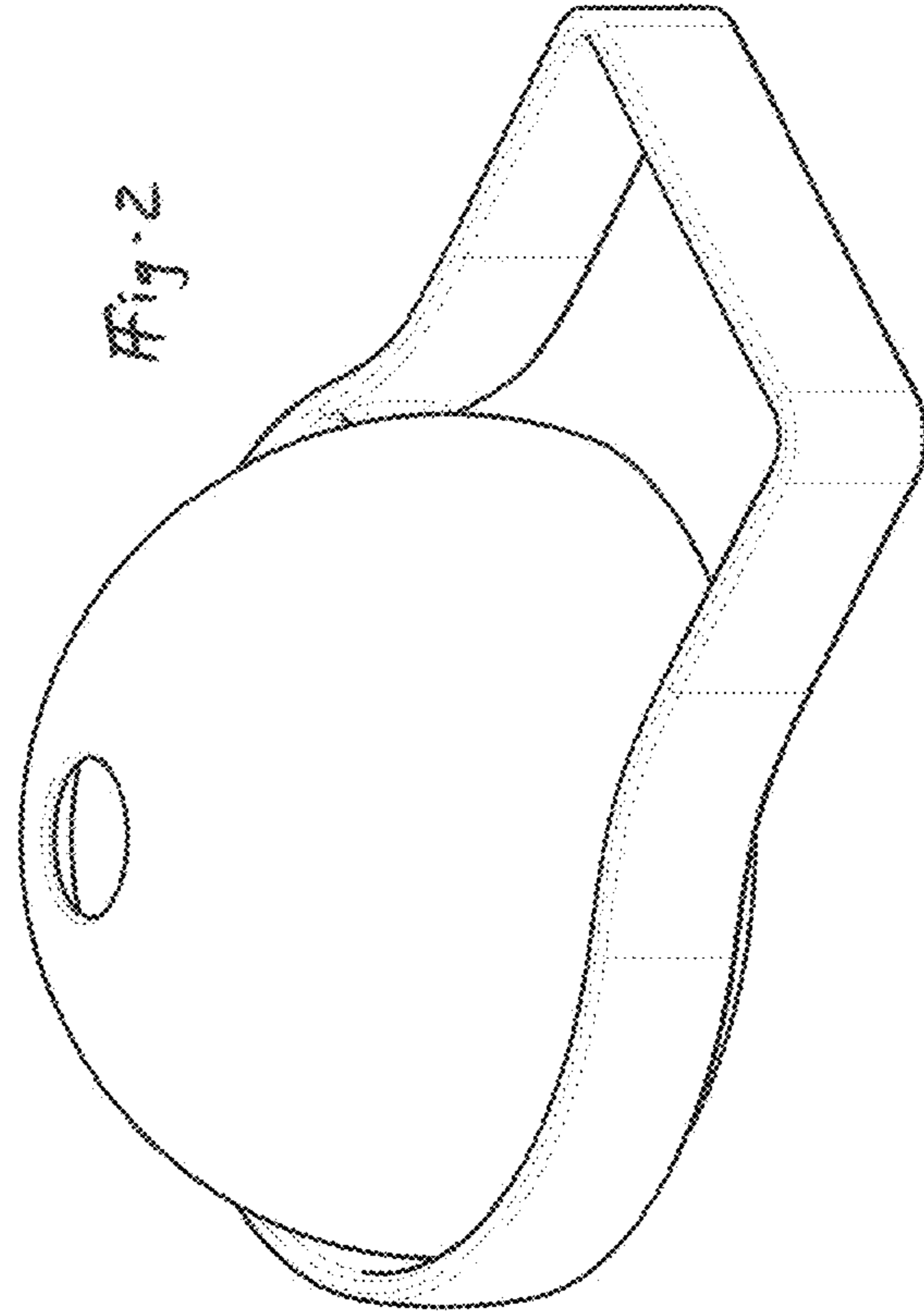
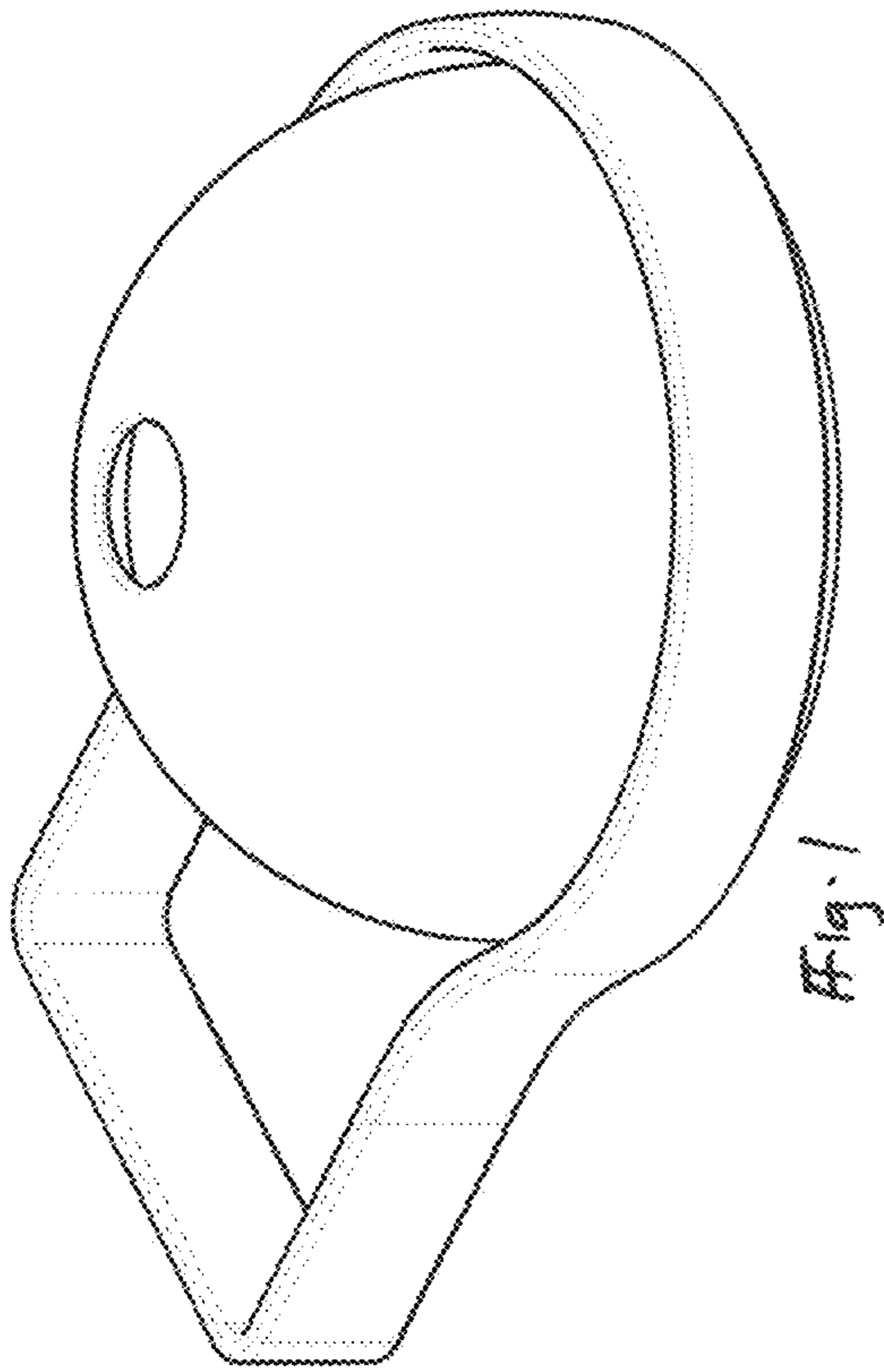
The ornamental design for a faucet, as shown and described.

DESCRIPTION

FIG. 1 is a front perspective view of a faucet showing my new design;
FIG. 2 is a rear perspective view thereof;
FIG. 3 is a front elevational view thereof;
FIG. 4 is a left side view thereof, the opposite side being a mirror image of the side shown;
FIG. 5 is a bottom plan view thereof; and,
FIG. 6 is a top plan view thereof.

1 Claim, 3 Drawing Sheets





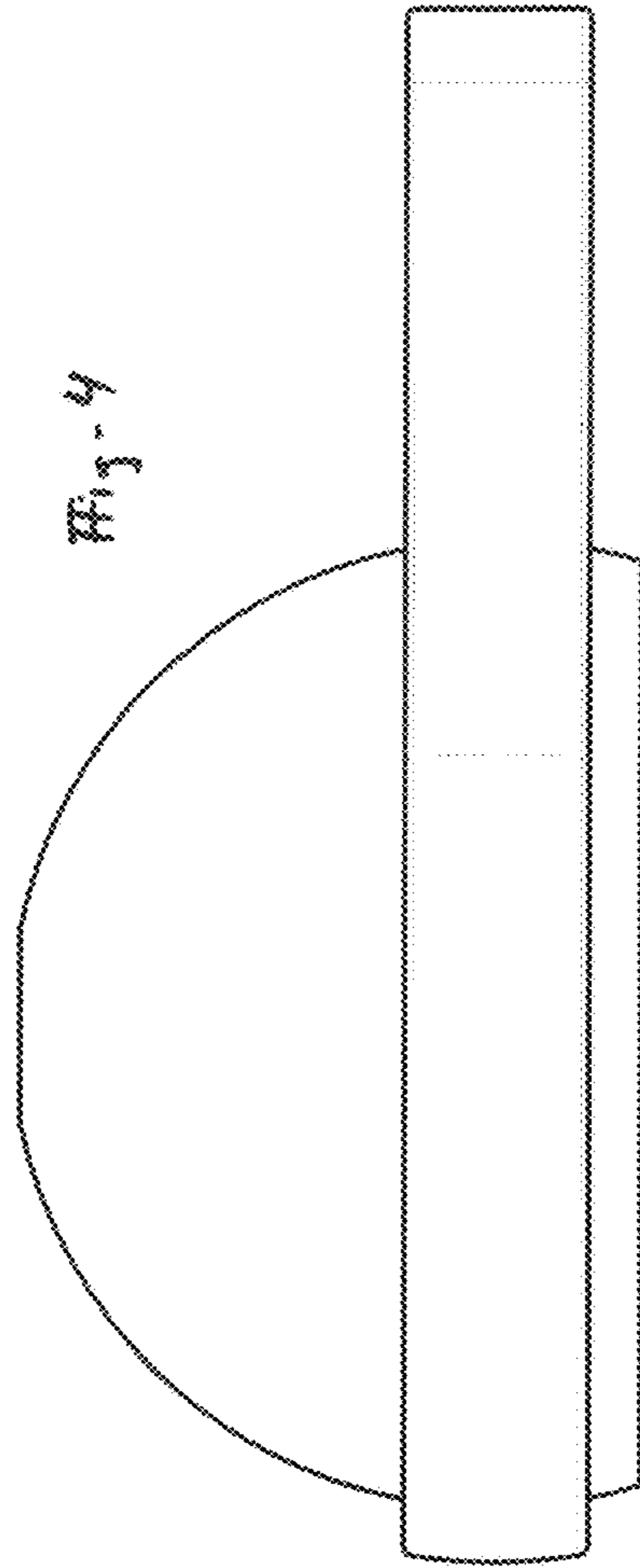


Fig. 4

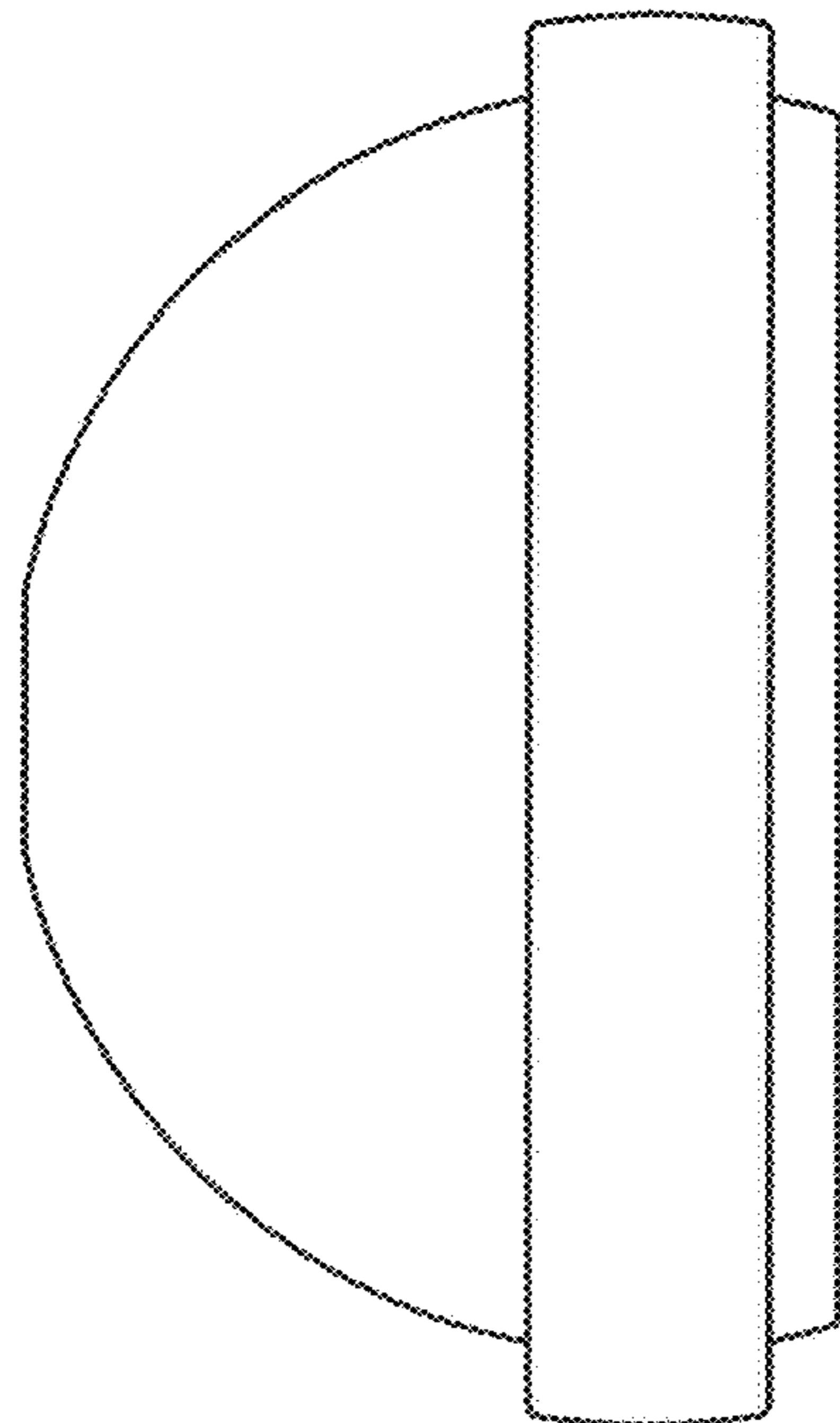


Fig. 3

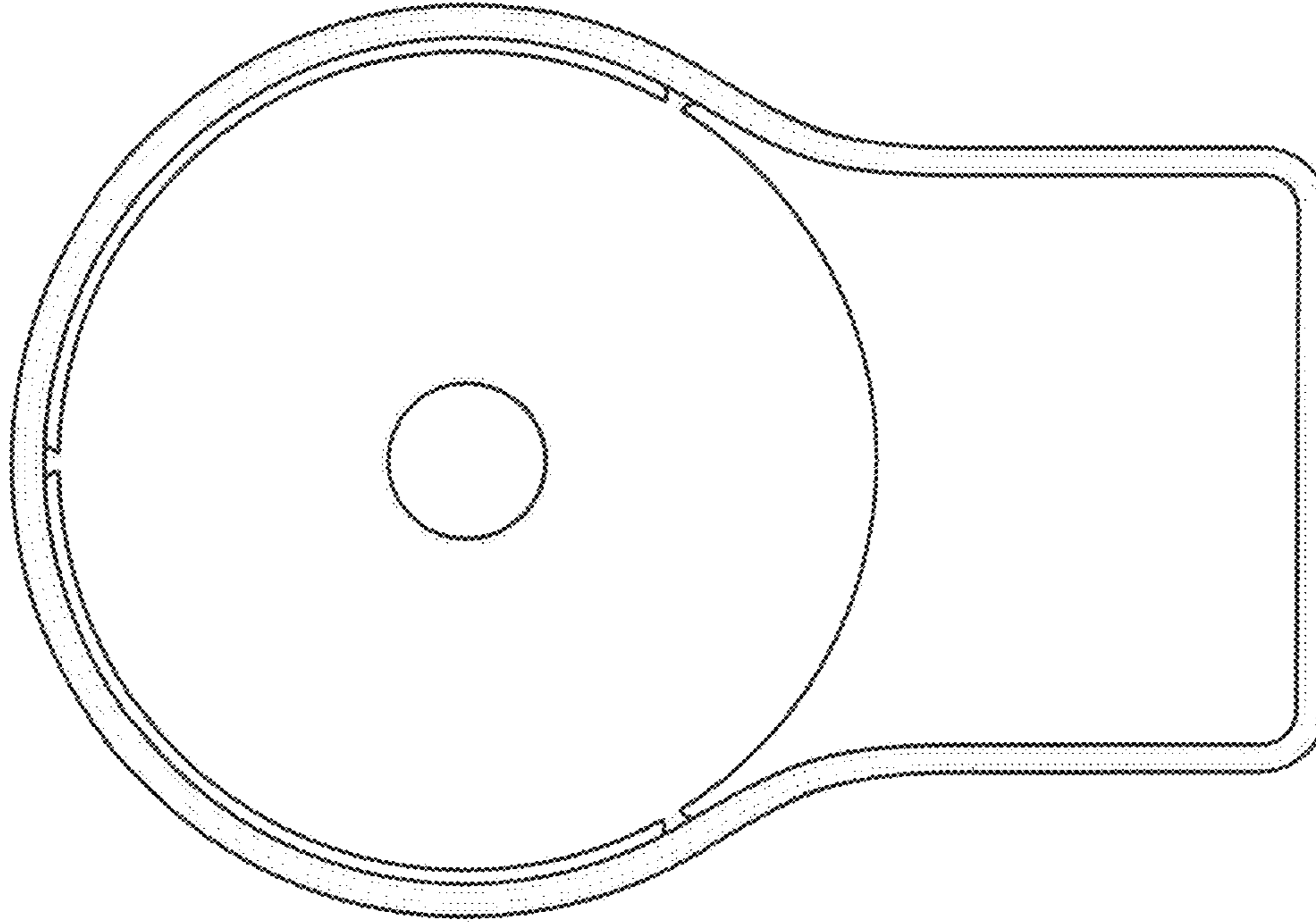


Fig. 6

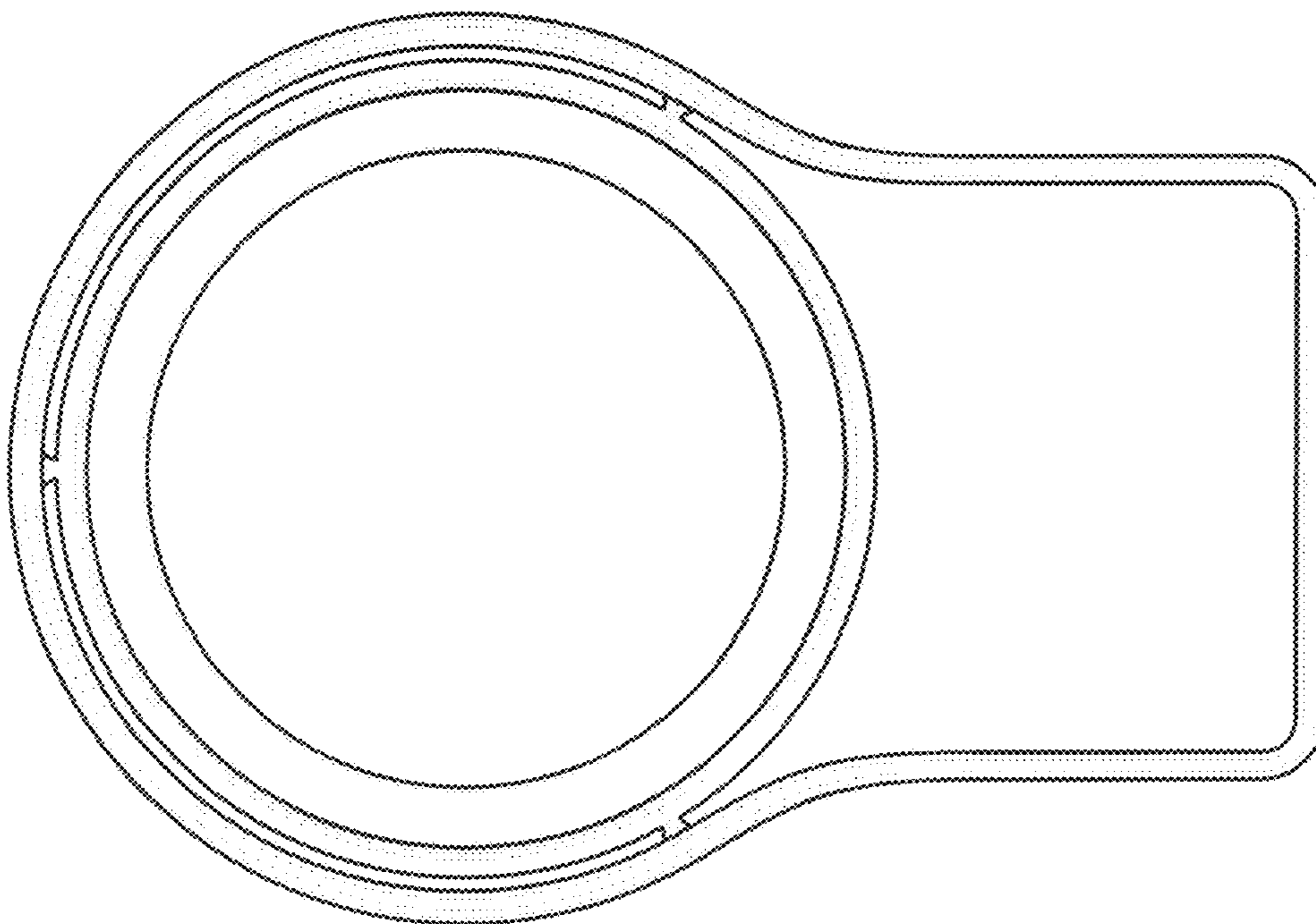


Fig. 5