



US00D846077S

(12) **United States Design Patent** (10) **Patent No.:** **US D846,077 S**
Liu (45) **Date of Patent:** **** Apr. 16, 2019**

(54) **SINK MIXER**

(71) Applicant: **Phoenix Industries Pty Ltd,**
Bayswater, Victoria (AU)

(72) Inventor: **Ban Hsi Liu,** Bayswater (AU)

(73) Assignee: **Phoenix Industries Pty Ltd,**
Bayswater, Victoria (AU)

(**) Term: **15 Years**

(21) Appl. No.: **29/601,544**

(22) Filed: **Apr. 24, 2017**

(30) **Foreign Application Priority Data**

Oct. 26, 2016 (AU) 201616018
Oct. 26, 2016 (AU) 201616021

(51) **LOC (11) Cl.** **23-01**

(52) **U.S. Cl.**
USPC **D23/238**

(58) **Field of Classification Search**
USPC D23/238, 241-243, 249-252, 254;
D8/307-308
CPC E03C 1/04; E03C 1/0401; E03C 1/0402;
E03C 1/0404; E03C 1/0405; E03C 1/042;
Y10T 137/9464; C02F 2307/06
See application file for complete search history.

(56) **References Cited**

U.S. PATENT DOCUMENTS

D441,851 S 5/2001 Starck
D466,979 S * 12/2002 Shulz D23/238
D481,445 S * 10/2003 Haug D23/238
(Continued)

FOREIGN PATENT DOCUMENTS

AU 308198 7/2006
AU 308199 7/2006
(Continued)

OTHER PUBLICATIONS

TOI Sink Mixer Squareline, Phoenix Tapware, Showers & Accessories, <http://www.phoenixtapware.com.au/toi-sink-mixer-180mm-squareline>, known at least as early as Oct. 25, 2016, 3 pgs.

(Continued)

Primary Examiner — Robert A Delehanty

(74) *Attorney, Agent, or Firm* — Womble Bond Dickinson (US) LLP

(57) **CLAIM**

The ornamental design for a sink mixer, as shown and described.

DESCRIPTION

The file of this patent contains at least one drawing executed in color. Copies of this patent or patent application publication with color drawing(s) will be provided by the Office upon request and payment of the necessary fee.

FIG. 1 is a front perspective view of a first embodiment of my design;

FIG. 2 is a top view thereof;

FIG. 3 is a right side view thereof;

FIG. 4 is a left side view thereof;

FIG. 5 is a front view thereof; and

FIG. 6 is a rear view thereof.

FIG. 7 is a front perspective view of a second embodiment of my design;

FIG. 8 is a top view thereof;

FIG. 9 is a right side view thereof;

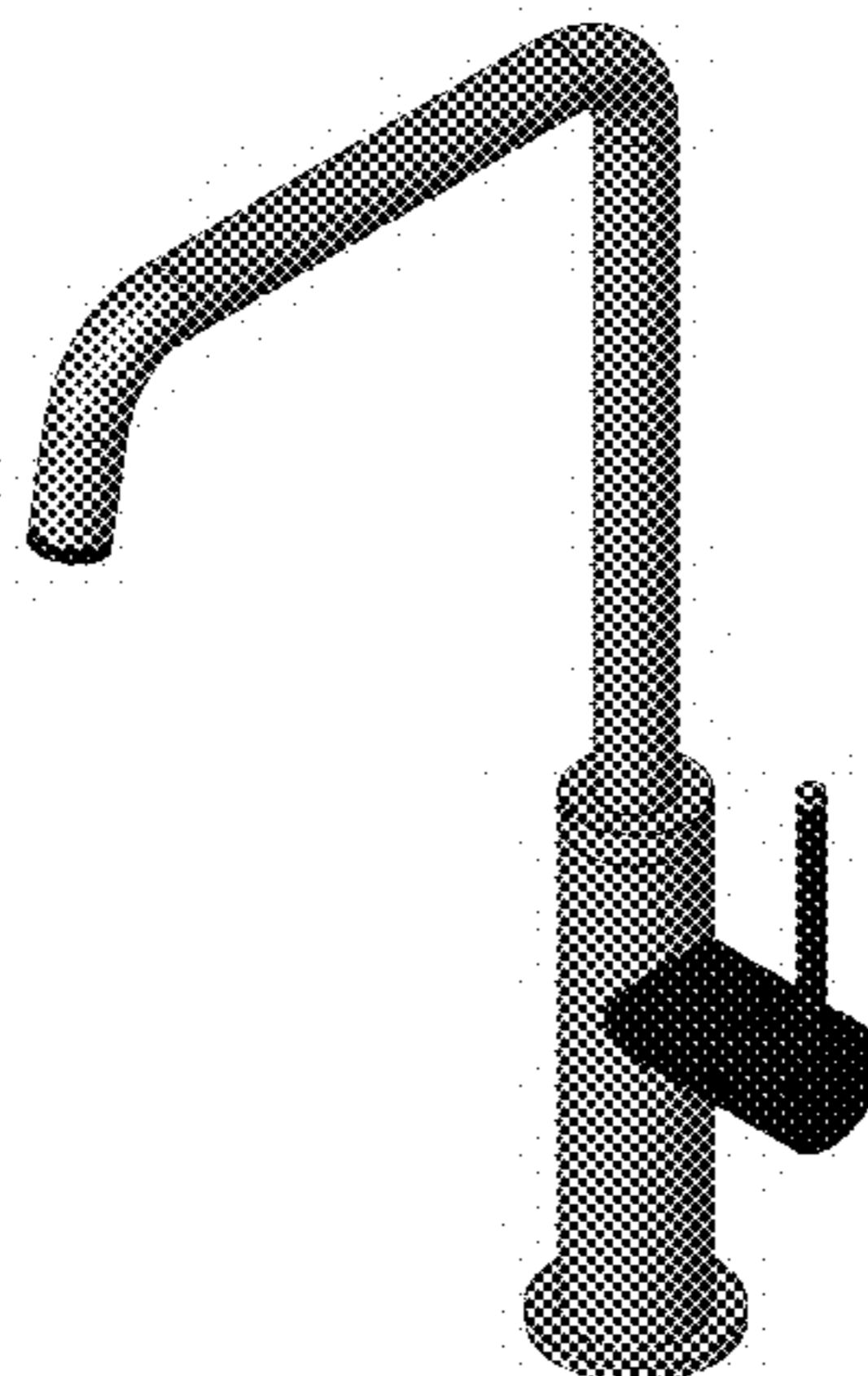
FIG. 10 is a left side view thereof;

FIG. 11 is a front view thereof; and,

FIG. 12 is a rear view thereof.

The views not shown form no part of the claimed design.

1 Claim, 12 Drawing Sheets
(12 of 12 Drawing Sheet(s) Filed in Color)



(56)

References Cited

FOREIGN PATENT DOCUMENTS

U.S. PATENT DOCUMENTS

D492,011 S	6/2004	Blattner	
D525,342 S	7/2006	Starck	
D532,866 S	* 11/2006	Kirar	D23/238
D533,924 S	12/2006	Kirar	
D575,848 S	* 8/2008	Kirar	D23/238
D577,418 S	9/2008	Lammel	
D580,525 S	11/2008	Citterio	
D582,009 S	12/2008	Citterio	
D618,765 S	6/2010	Wang	
D635,221 S	* 3/2011	Rubin	D23/238
D685,878 S	* 7/2013	Fritz	D23/238
D697,588 S	1/2014	Schoenherr .	
D708,714 S	7/2014	Georgeson	
D737,936 S	9/2015	Pony	
D739,501 S	9/2015	Flowers	
D740,395 S	10/2015	Flowers	
D757,223 S	5/2016	Schoenherr	
D757,225 S	5/2016	Schoenherr	
D757,903 S	5/2016	Schoenherr	
D787,020 S	5/2017	Ziemann	
D791,919 S	7/2017	Schoenherr	
D799,642 S	10/2017	Sieger	
D802,101 S	11/2017	Kirar	
D811,531 S	2/2018	Schoenherr	
D813,986 S	3/2018	Schoenherr	
D813,988 S	3/2018	Schoenherr	
D828,511 S	9/2018	Liu et al.	
D828,512 S	9/2018	Liu et al.	
D828,516 S	9/2018	Liu et al.	
D828,909 S	9/2018	Liu et al.	

AU	308201	7/2006
AU	308202	7/2006
AU	314560	6/2007
AU	314563	6/2007
AU	321286	10/2008
AU	328364	11/2009
AU	328365	11/2009
AU	334096	12/2010
AU	336356	5/2011
AU	336357	5/2011
AU	337781	7/2011
AU	337782	7/2011
AU	344493	9/2012
AU	344494	9/2012
AU	350490	8/2013
AU	355991	6/2014
AU	355992	6/2014
AU	355993	6/2014
AU	355994	6/2014
AU	357542	9/2014
AU	357840	9/2014
AU	357842	9/2014
AU	357843	9/2014

OTHER PUBLICATIONS

TOI Basin Mixer, Phoenix Tapware, Showers & Accessories, <http://www.phoenixtapware.com.au/products/toi-basin-mixer>, known at least as early as Oct. 25, 2016, 3 pgs.
 TOI Wall Basin/Bath Mixer Set, <http://www.phoenixtapware.com.au/toi-wall-basin-mixer-set180mm>, known at least as early as Oct. 25, 2016, 3 pgs.

* cited by examiner

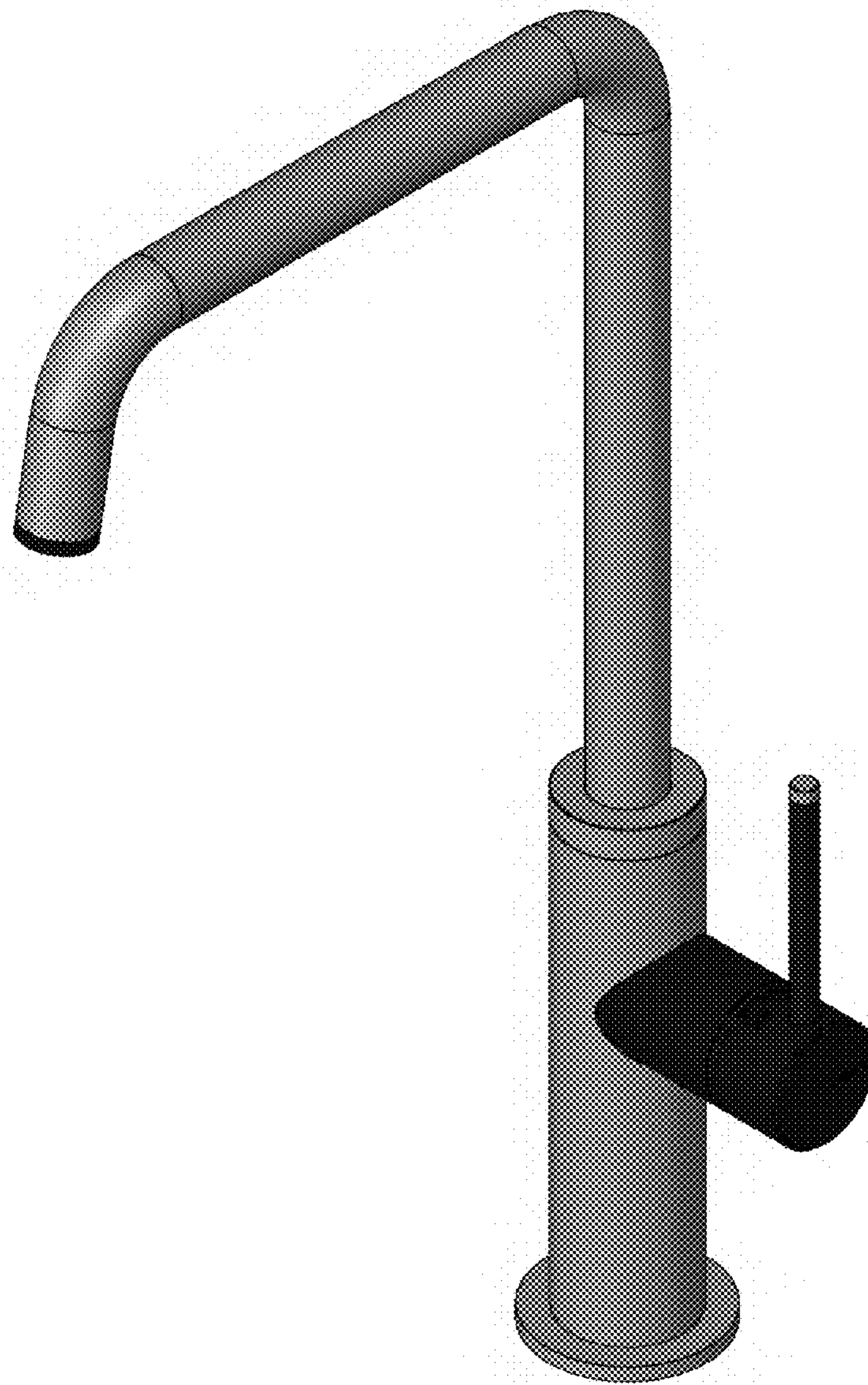


FIG. 1

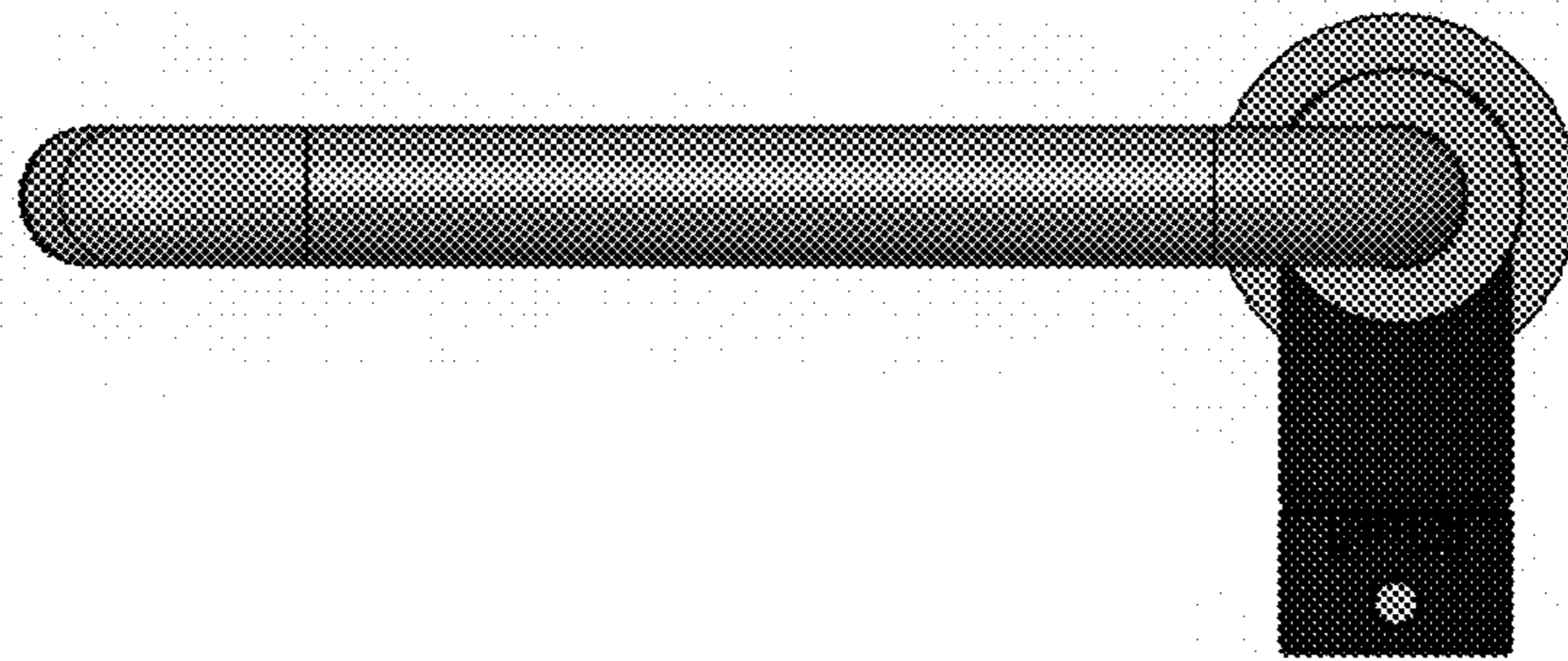


FIG. 2

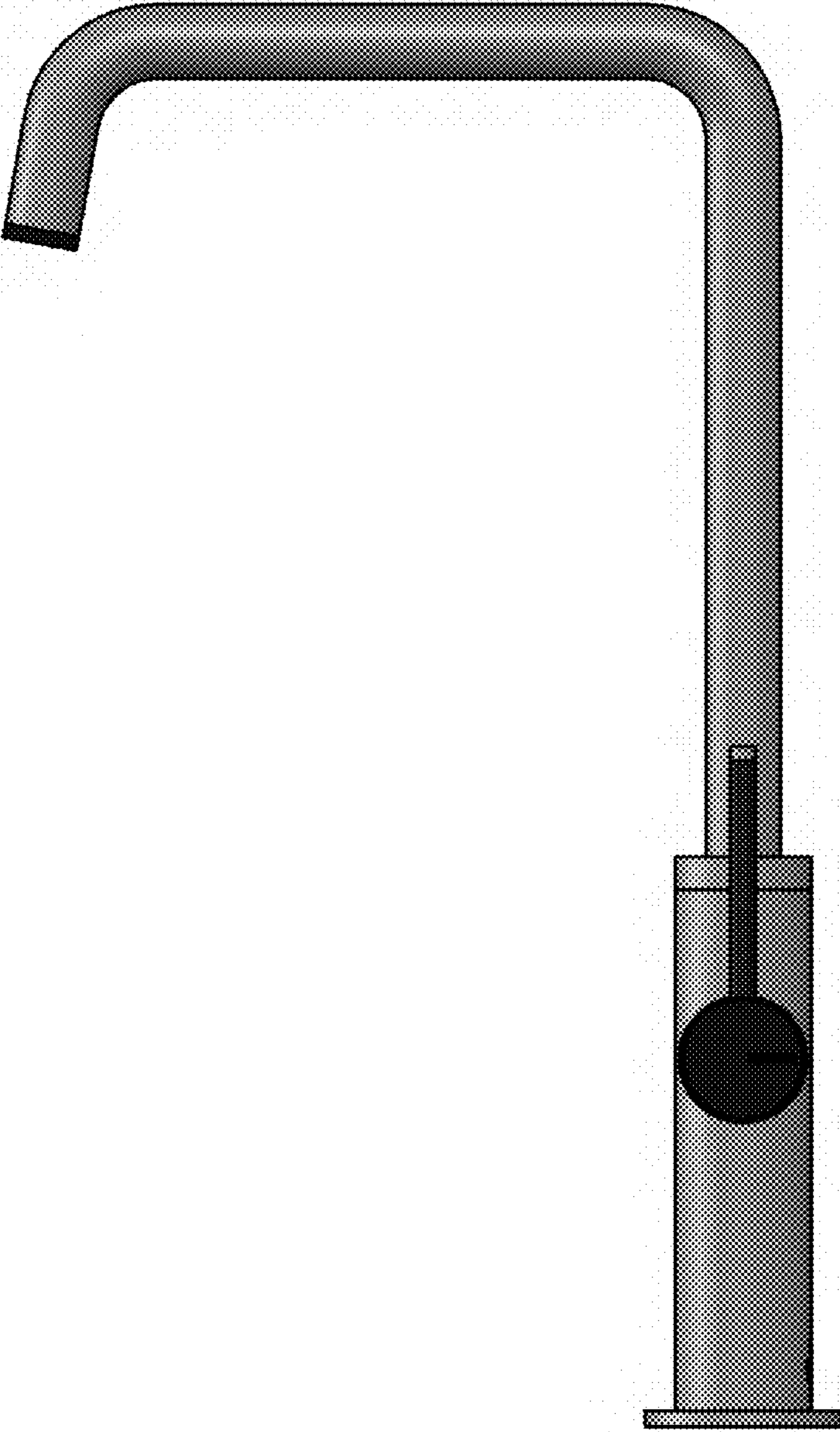


FIG. 3

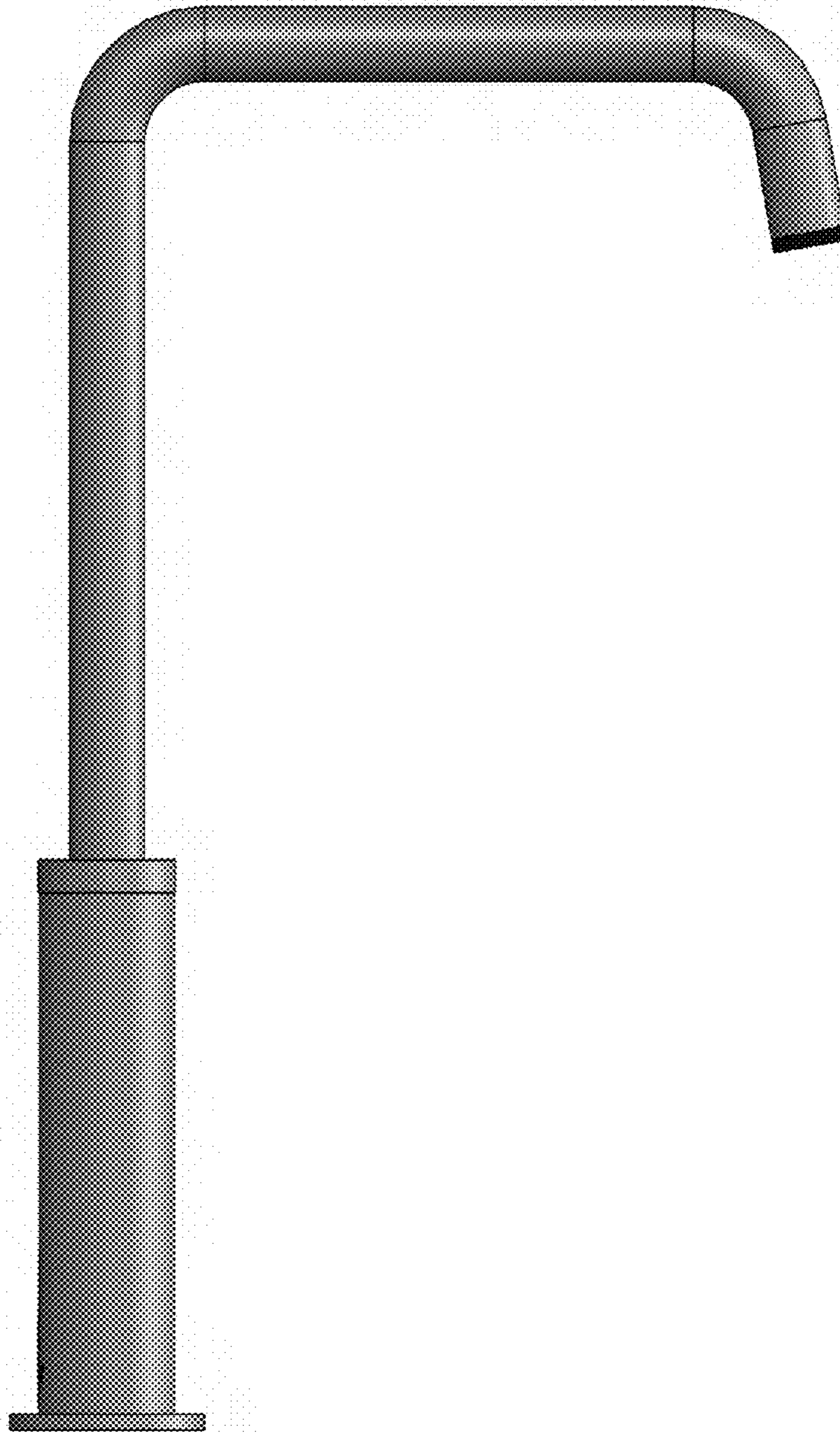


FIG. 4

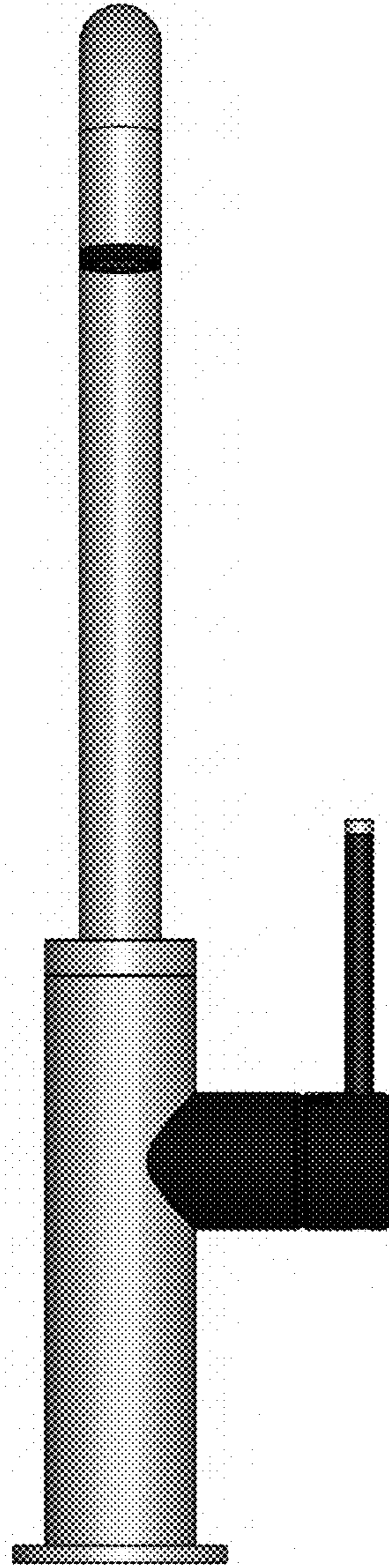


FIG. 5

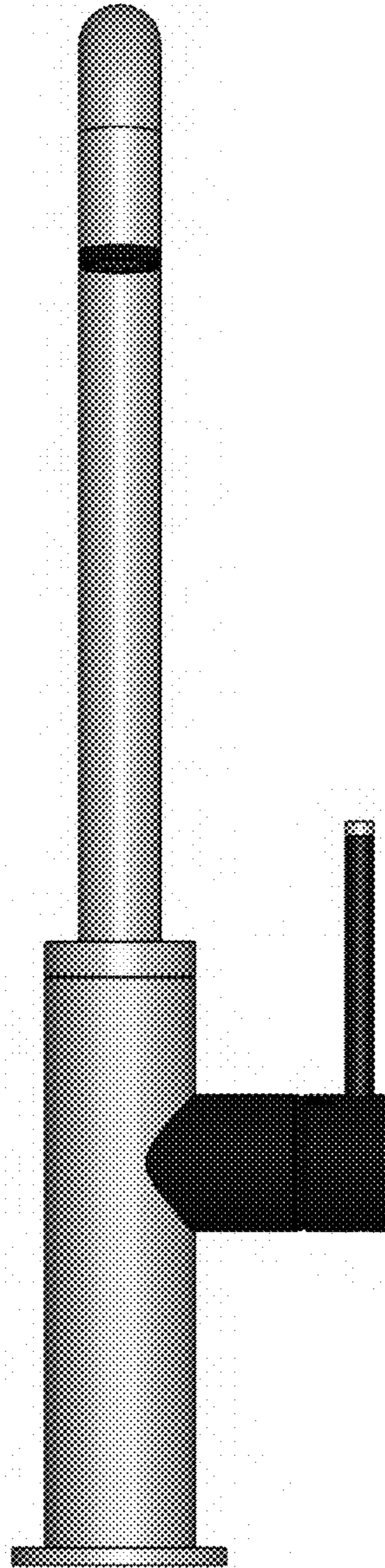


FIG. 6



FIG. 7



FIG. 8

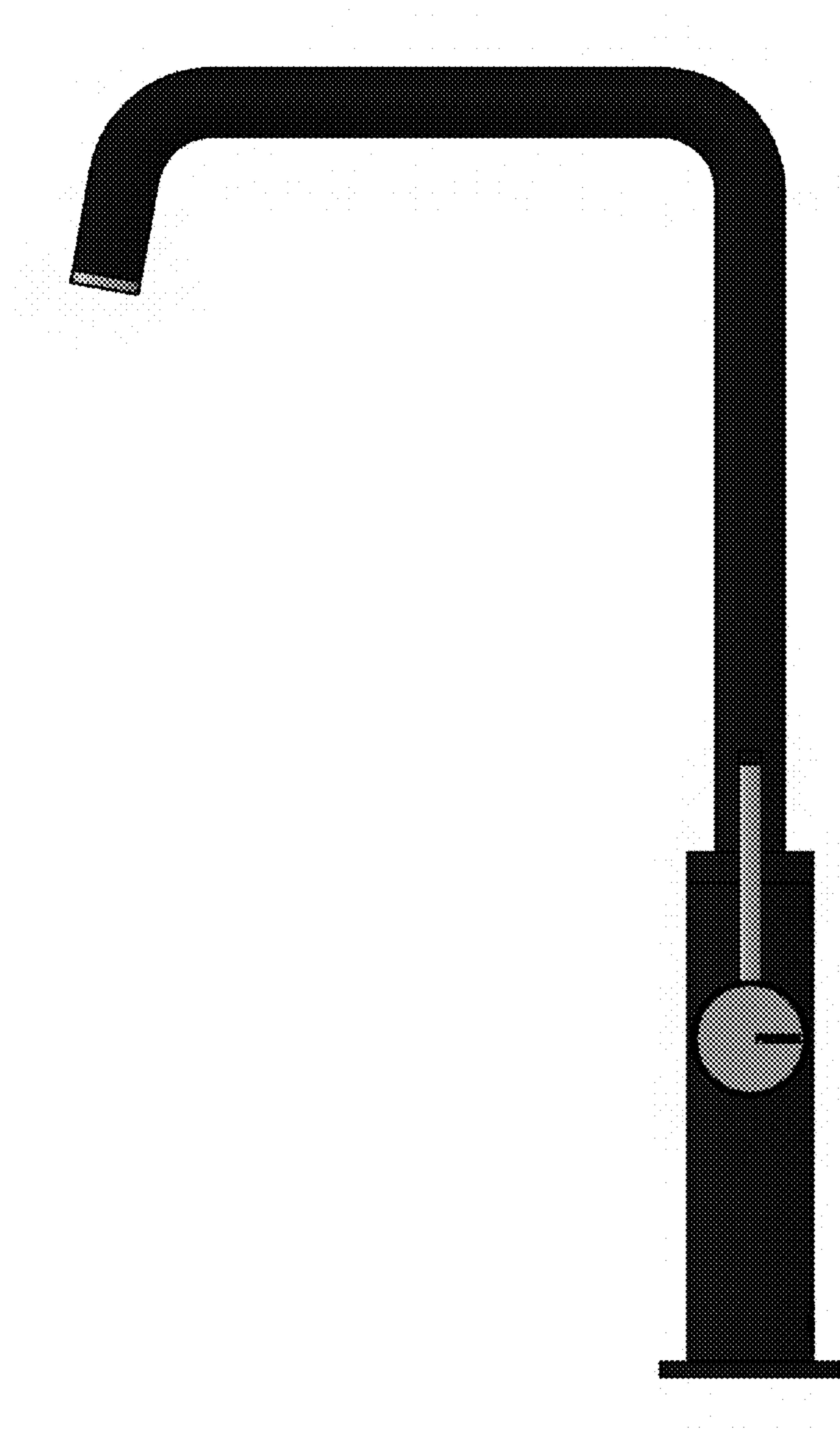


FIG. 9

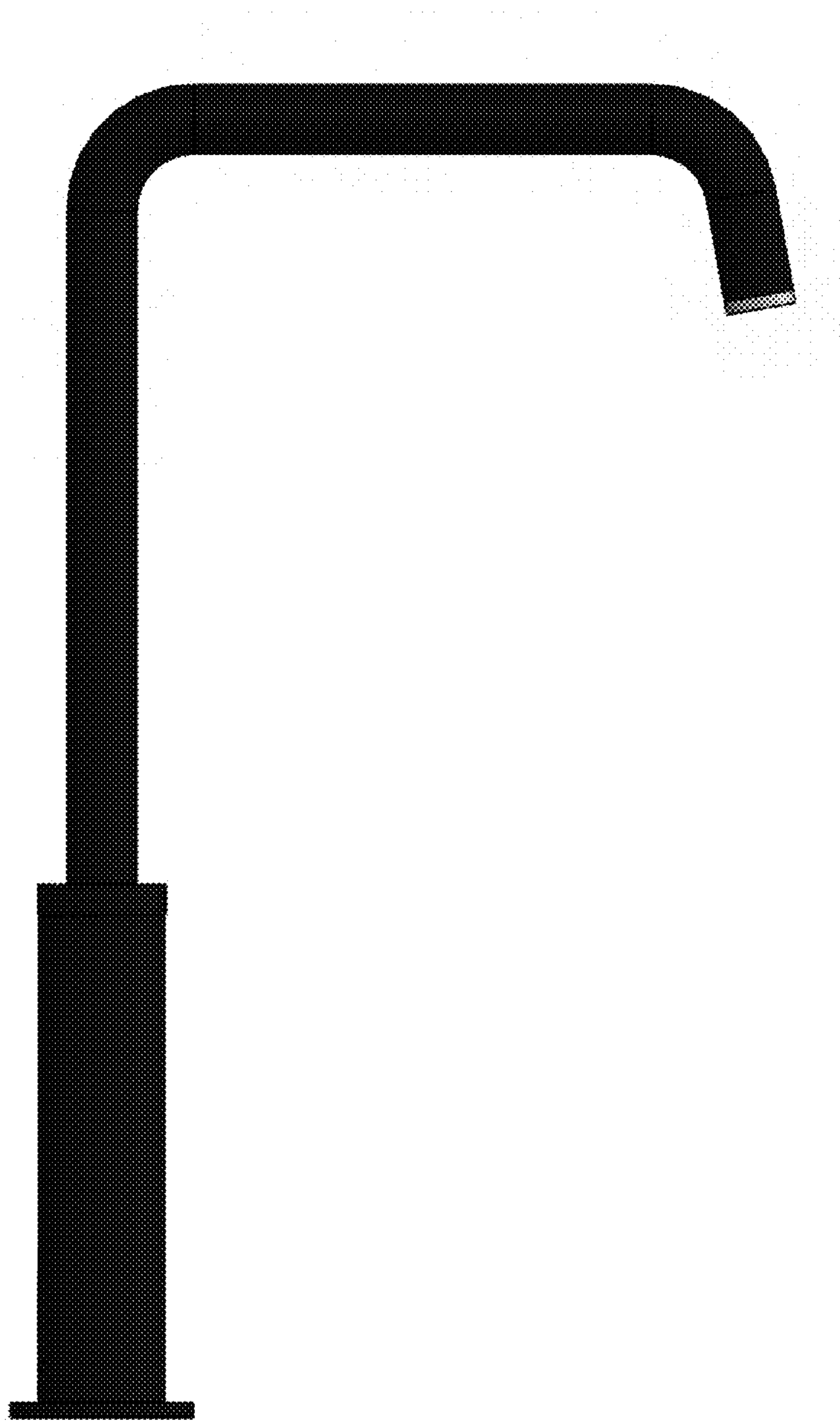


FIG. 10

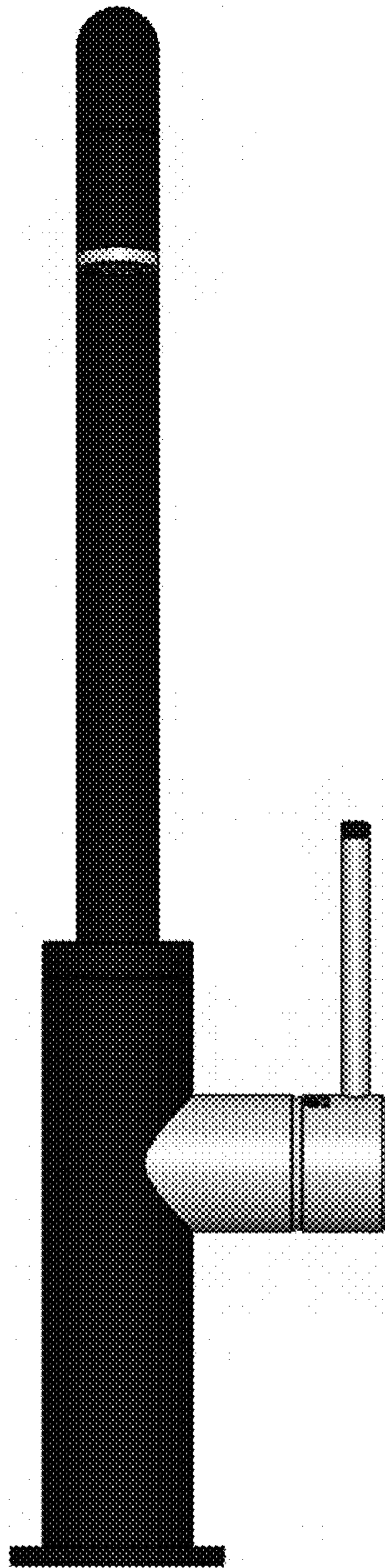


FIG. 11

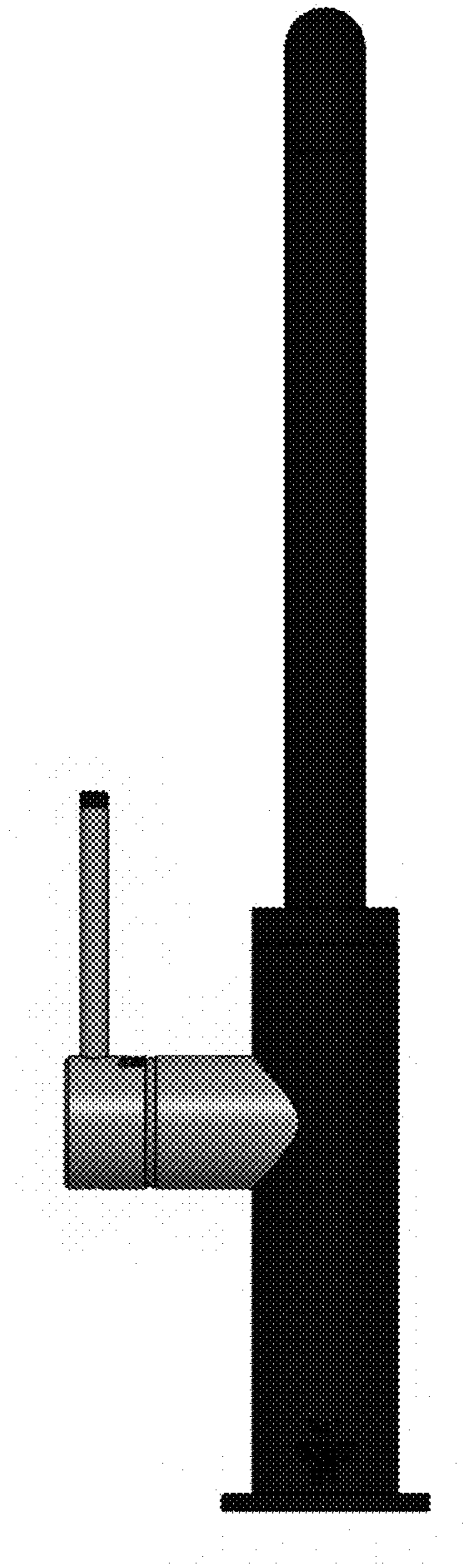


FIG. 12