

US00D846076S

(12) **United States Design Patent** (10) **Patent No.:** **US D846,076 S**  
**Ezura et al.** (45) **Date of Patent:** **\*\* Apr. 16, 2019**

(54) **FLUID PRESSURE CYLINDER WITH TABLE**

FOREIGN PATENT DOCUMENTS

(71) Applicant: **SMC CORPORATION**, Tokyo (JP)

JP D939154 S 11/1995  
JP D1074624 S 6/2000  
JP D1074625 S 6/2000

(72) Inventors: **Takumi Ezura**, Toride (JP); **Ken Tamura**, Tsukubamirai (JP)

*Primary Examiner* — Cynthia Ramirez  
*Assistant Examiner* — Gino Colan

(73) Assignee: **SMC CORPORATION**, Tokyo (JP)

(74) *Attorney, Agent, or Firm* — Birch, Stewart, Kolasch & Birch, LLP

(\*\*) Term: **15 Years**

(57) **CLAIM**

(21) Appl. No.: **29/625,504**

The ornamental design for a fluid pressure cylinder with table, as shown and described.

(22) Filed: **Nov. 9, 2017**

**DESCRIPTION**

(30) **Foreign Application Priority Data**

May 12, 2017 (JP) ..... 2017-010137  
May 12, 2017 (JP) ..... 2017-010138

(51) **LOC (11) Cl.** ..... **23-01**

(52) **U.S. Cl.**  
USPC ..... **D23/235**

(58) **Field of Classification Search**  
USPC ..... D23/233–237, 240–249, 259–269, 310;  
137/884, 597, 606, 625.64, 883, 596.16,  
137/602, 605; D10/85; 384/13; 92/163,  
92/88, 128; 91/406; D15/7  
CPC ..... F15B 15/24; F15B 15/26; F15B 15/08;  
F15B 15/14; F15B 15/1428  
See application file for complete search history.

FIG. 1 is a front, top and right side perspective view of a fluid pressure cylinder with table showing a first embodiment of our new design;  
FIG. 2 is a rear, bottom and left side perspective view thereof;  
FIG. 3 is a front view thereof;  
FIG. 4 is a rear view thereof;  
FIG. 5 is a top plan view thereof;  
FIG. 6 is a bottom plan view thereof;  
FIG. 7 is a left side view thereof;  
FIG. 8 is a right side view thereof;  
FIG. 9 is a front, top and right side perspective view of a fluid pressure cylinder with table showing a second embodiment of our new design;  
FIG. 10 is a rear, bottom and left side perspective view of FIG. 9;  
FIG. 11 is a front view of FIG. 9;  
FIG. 12 is a rear view of FIG. 9;  
FIG. 13 is a top plan view of FIG. 9;  
FIG. 14 is a bottom plan view of FIG. 9;  
FIG. 15 is a left side view of FIG. 9; and,  
FIG. 16 is a right side view of FIG. 9.  
The dashed-dot broken lines shown in the figures are included for the purpose of illustrating bounds of the claim and form no part of the claimed design.

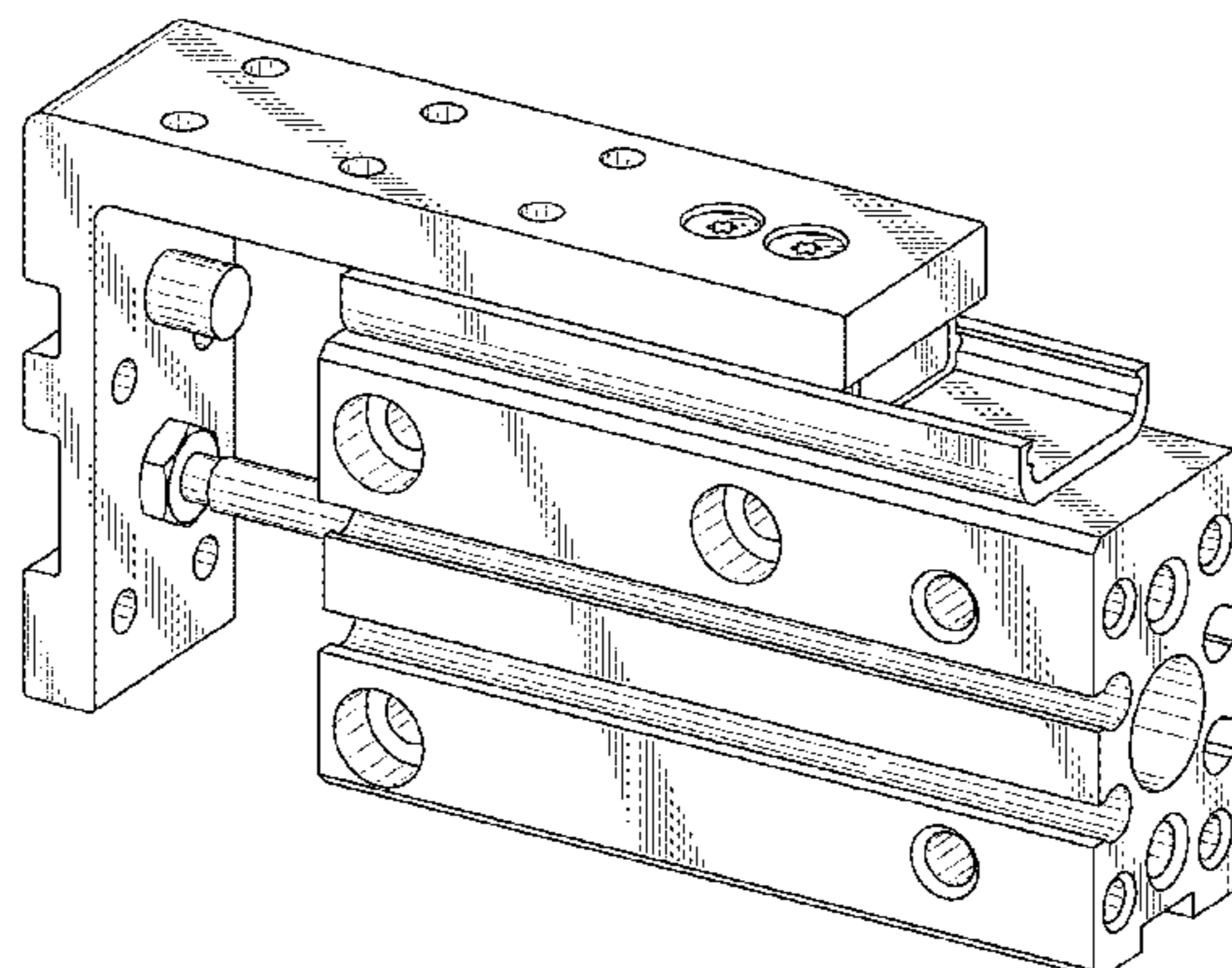
(56) **References Cited**

U.S. PATENT DOCUMENTS

D374,240 S 10/1996 Nagasawa  
D444,795 S \* 7/2001 Wakasugi ..... D15/7  
6,336,390 B1 \* 1/2002 Sato ..... F15B 15/1404  
91/406  
6,476,525 B2 \* 11/2002 Sato ..... B23Q 5/40  
310/20

(Continued)

**1 Claim, 16 Drawing Sheets**



(56)

**References Cited**

U.S. PATENT DOCUMENTS

6,490,961	B2 *	12/2002	Sato .....	F15B 15/1404 91/406
6,550,369	B2 *	4/2003	Sato .....	F15B 15/086 92/128
7,191,695	B2 *	3/2007	Sato .....	F15B 15/226 92/13.7
7,353,748	B2 *	4/2008	Sato .....	B24B 19/06 92/163
D670,789	S	11/2012	Tokumoto	
D670,790	S	11/2012	Tokumoto	
8,998,491	B2 *	4/2015	Ishibashi .....	F16C 29/0607 384/13

\* cited by examiner

FIG. 1

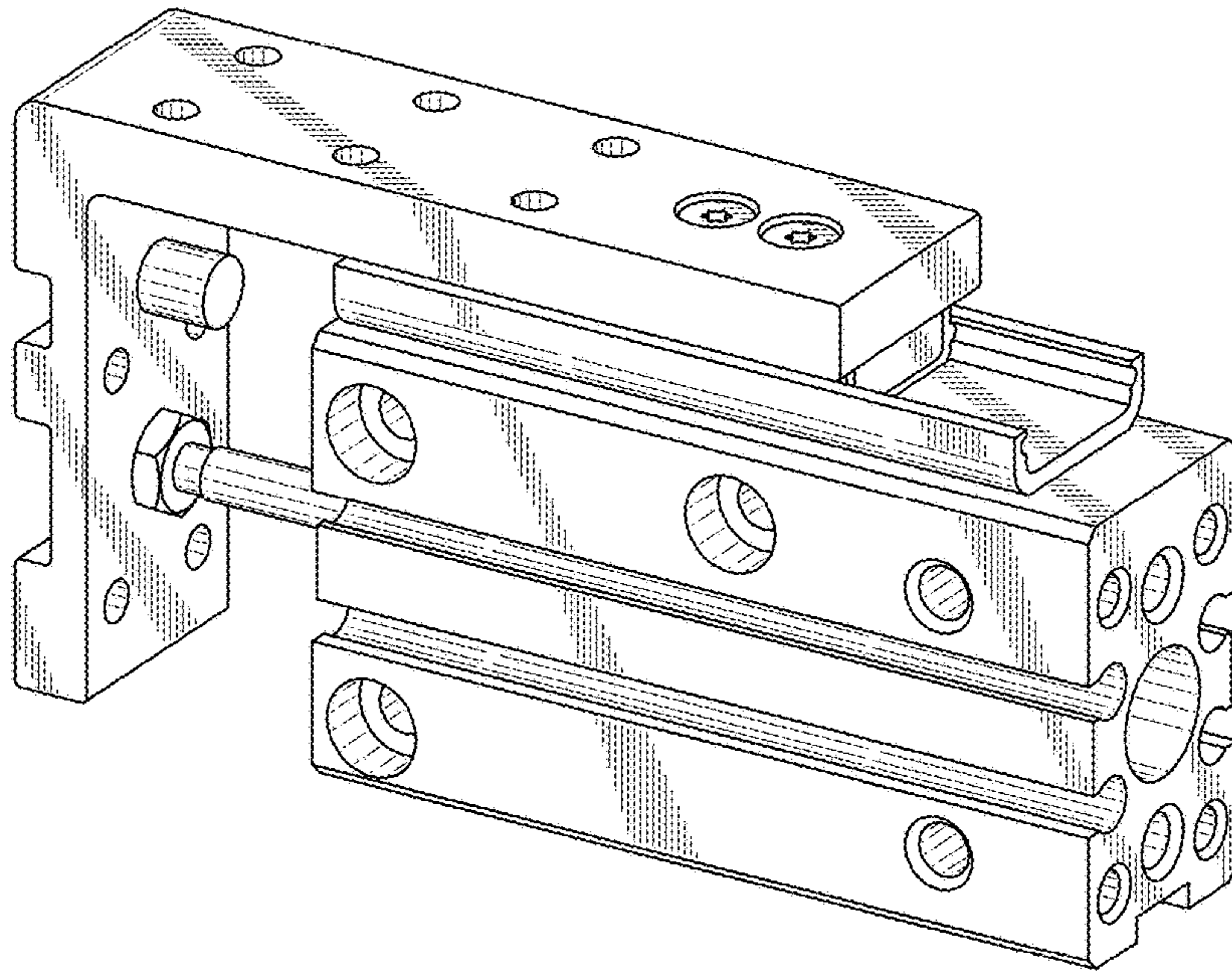


FIG. 2

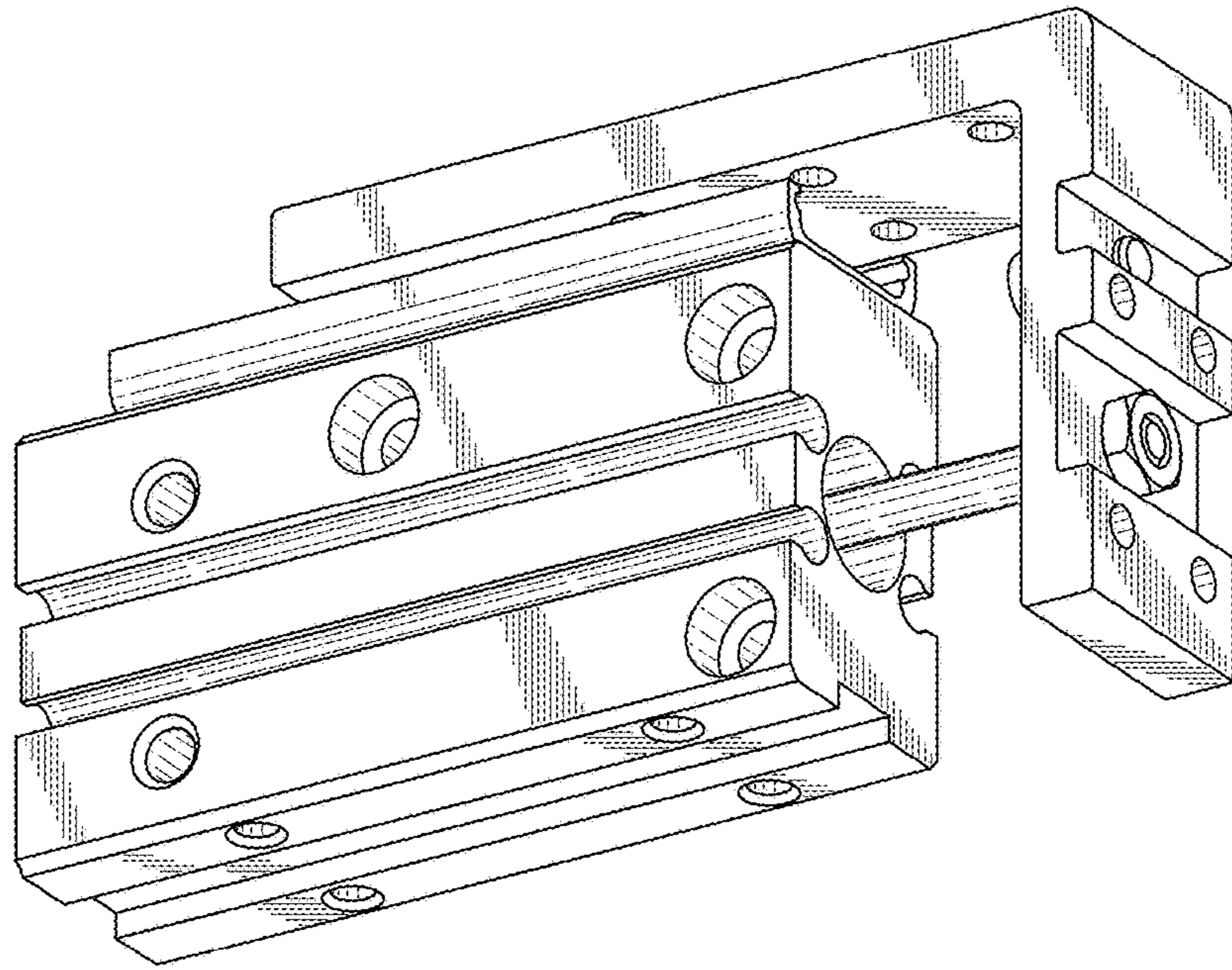


FIG. 3

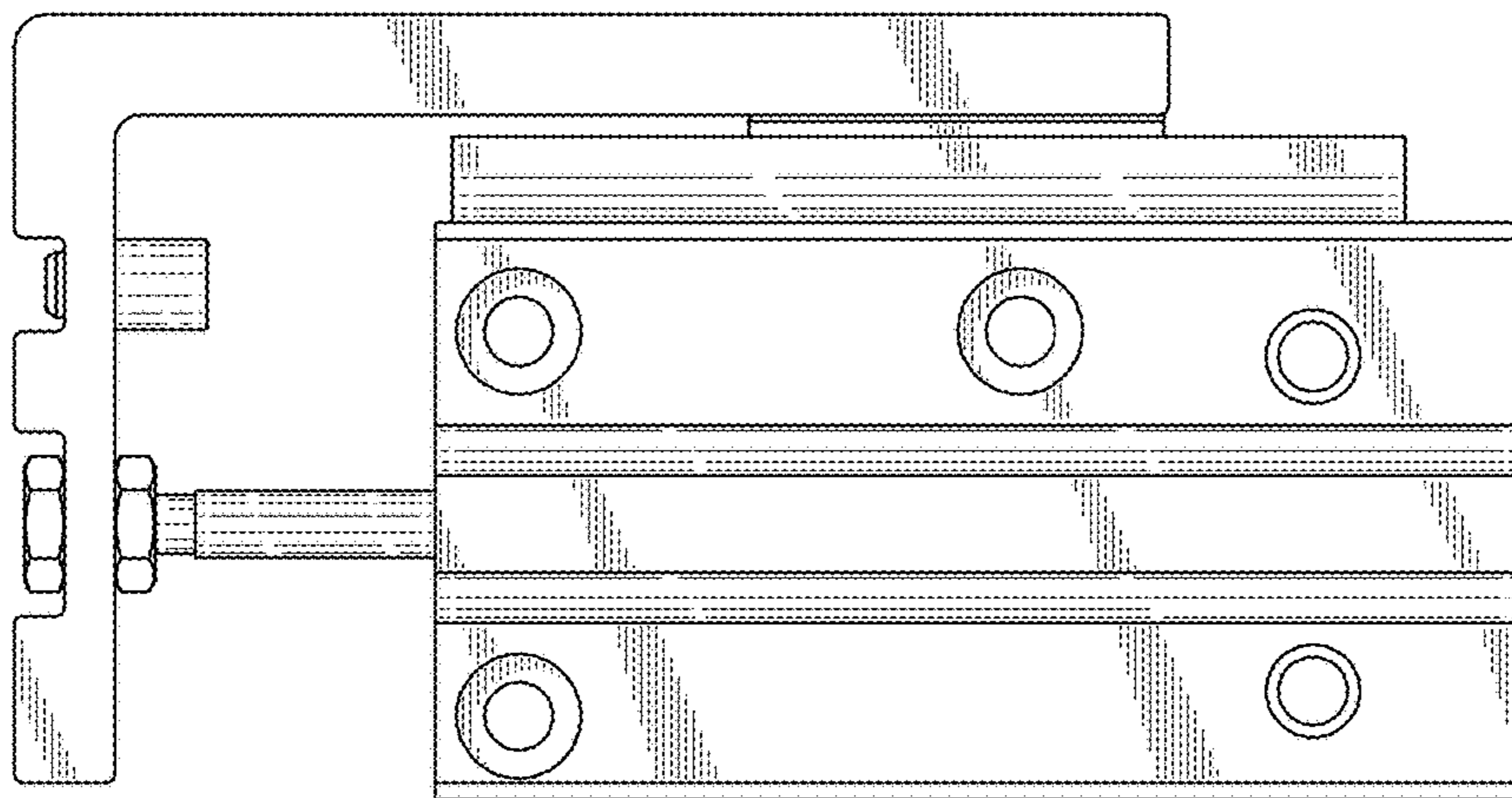




FIG. 4

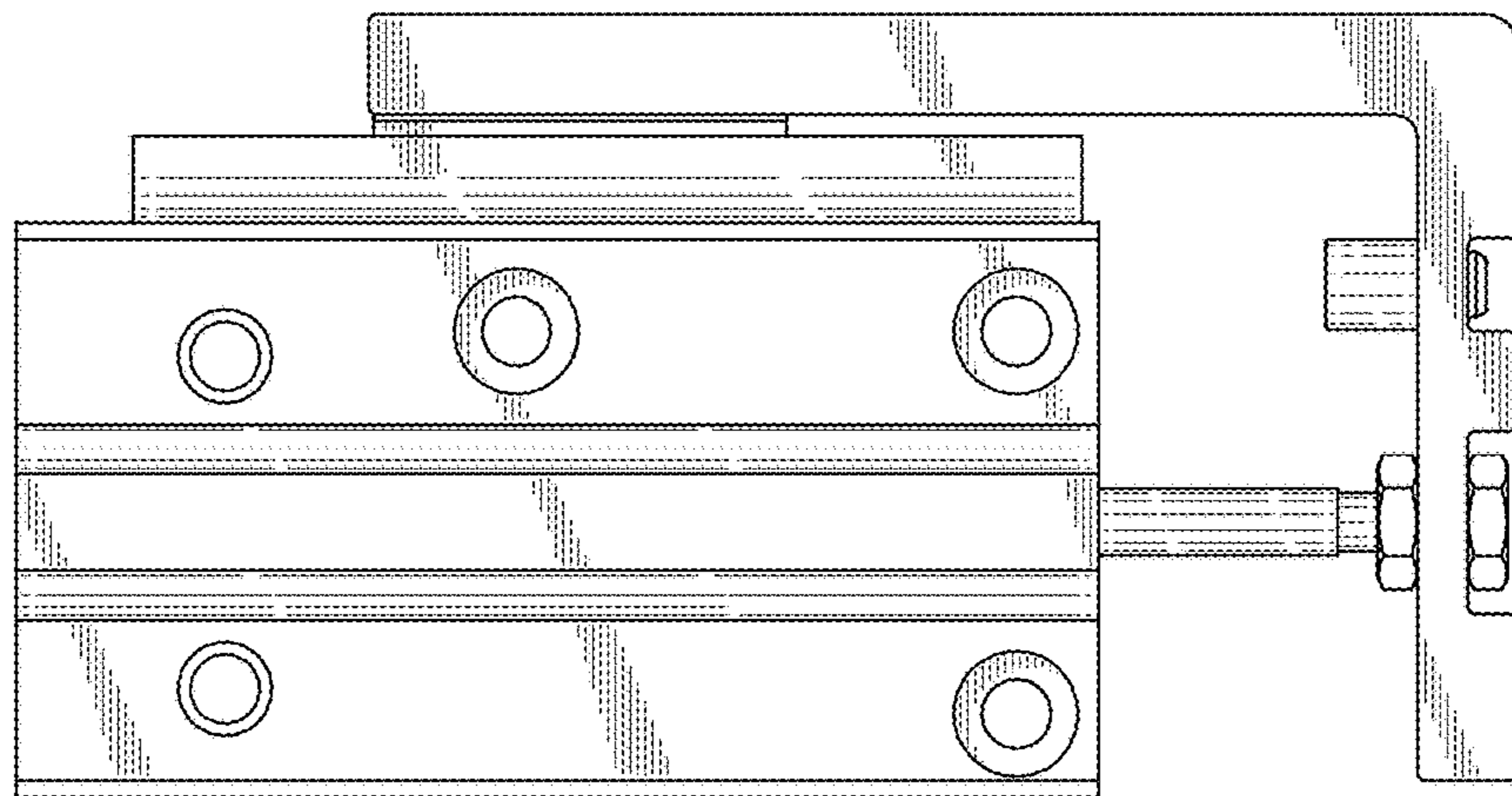


FIG. 5

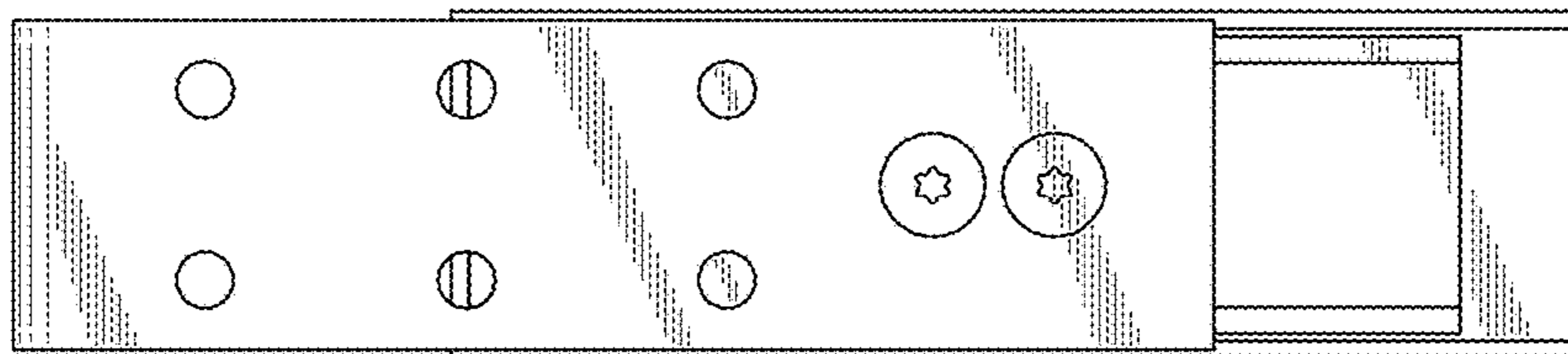


FIG. 6

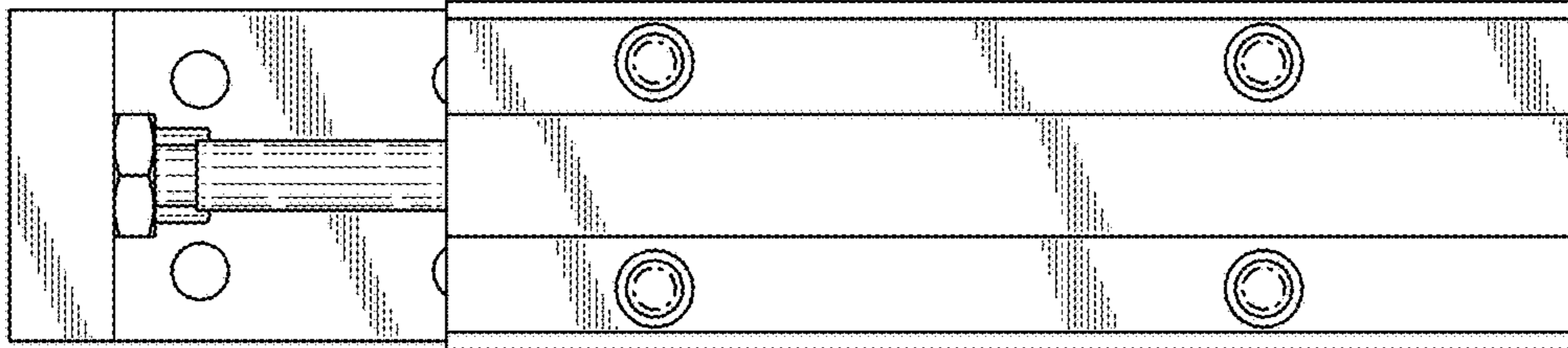




FIG. 7

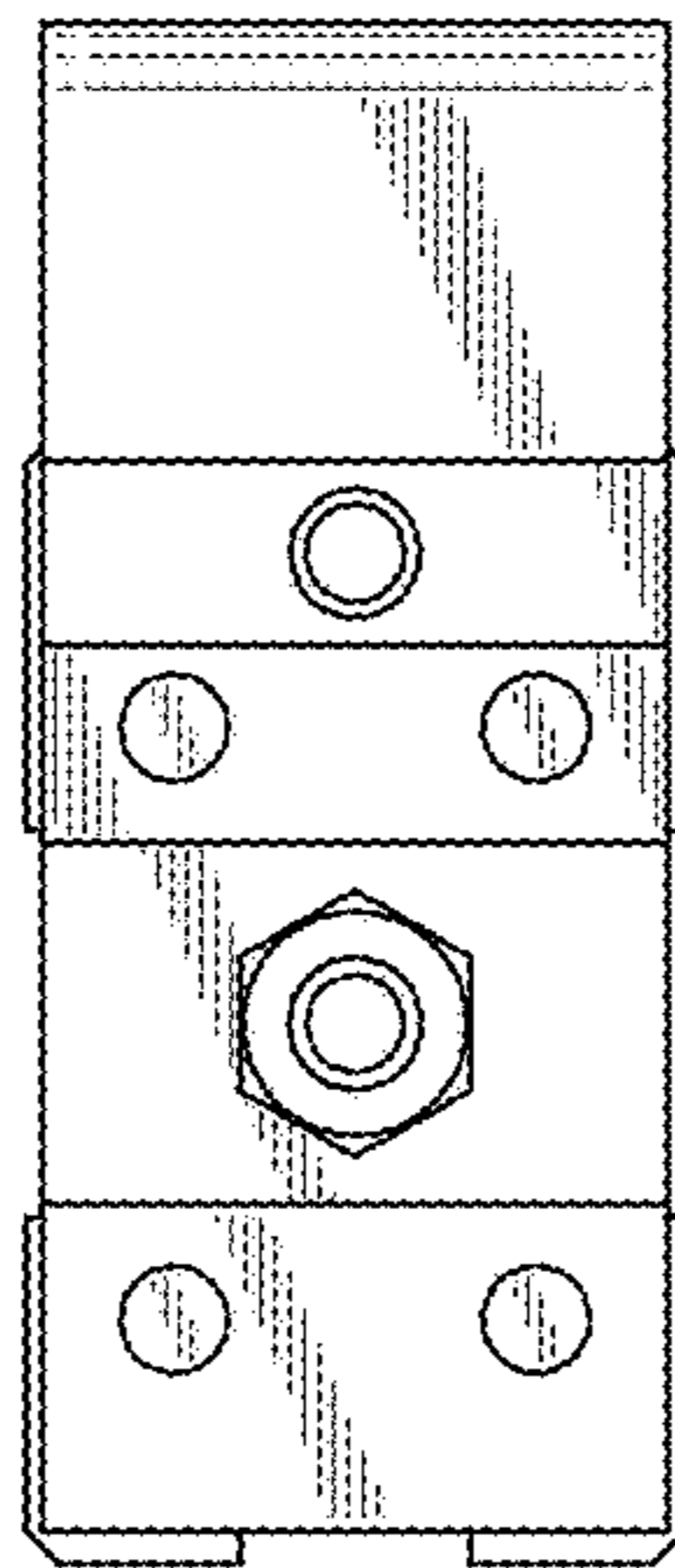


FIG. 8

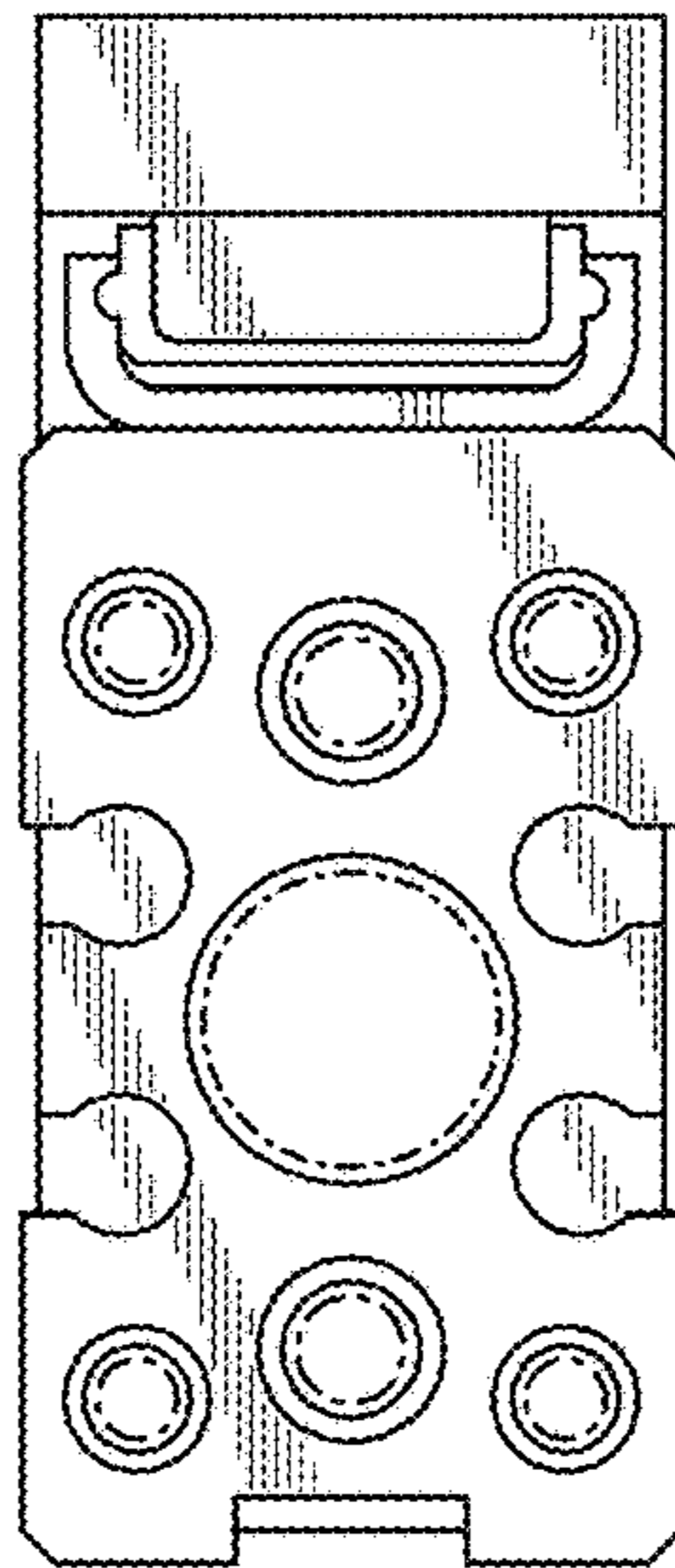


FIG. 9

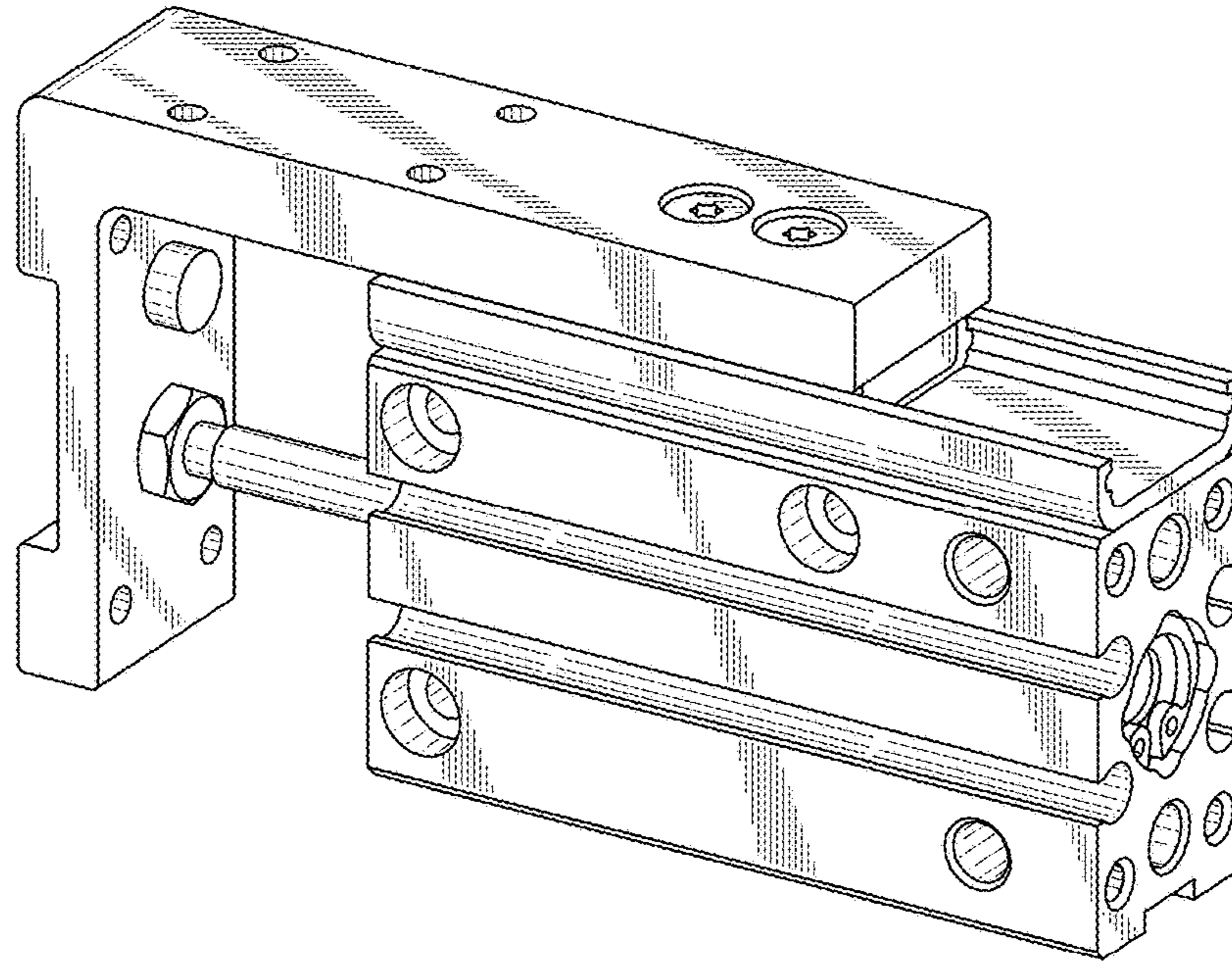


FIG. 10

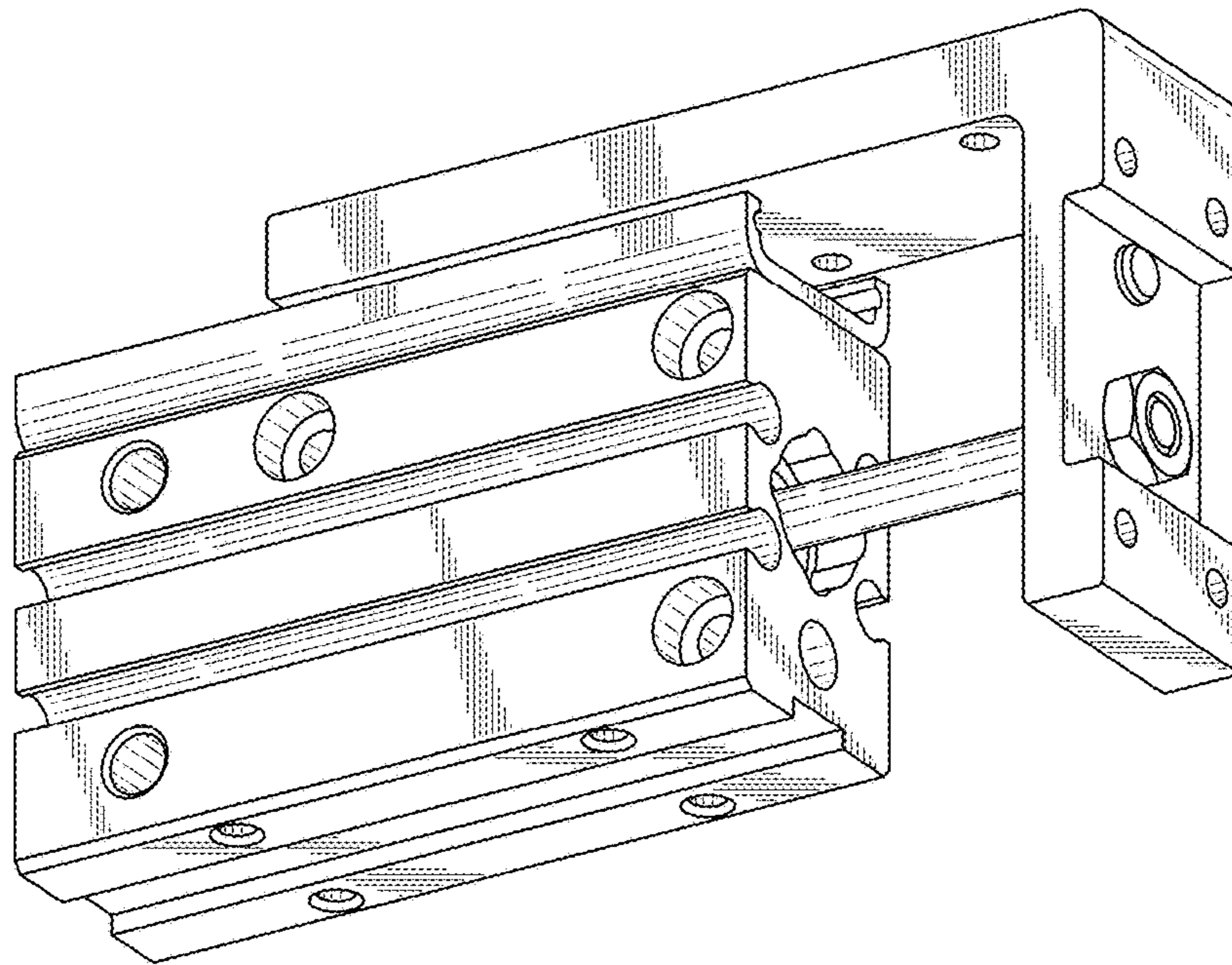


FIG. 11

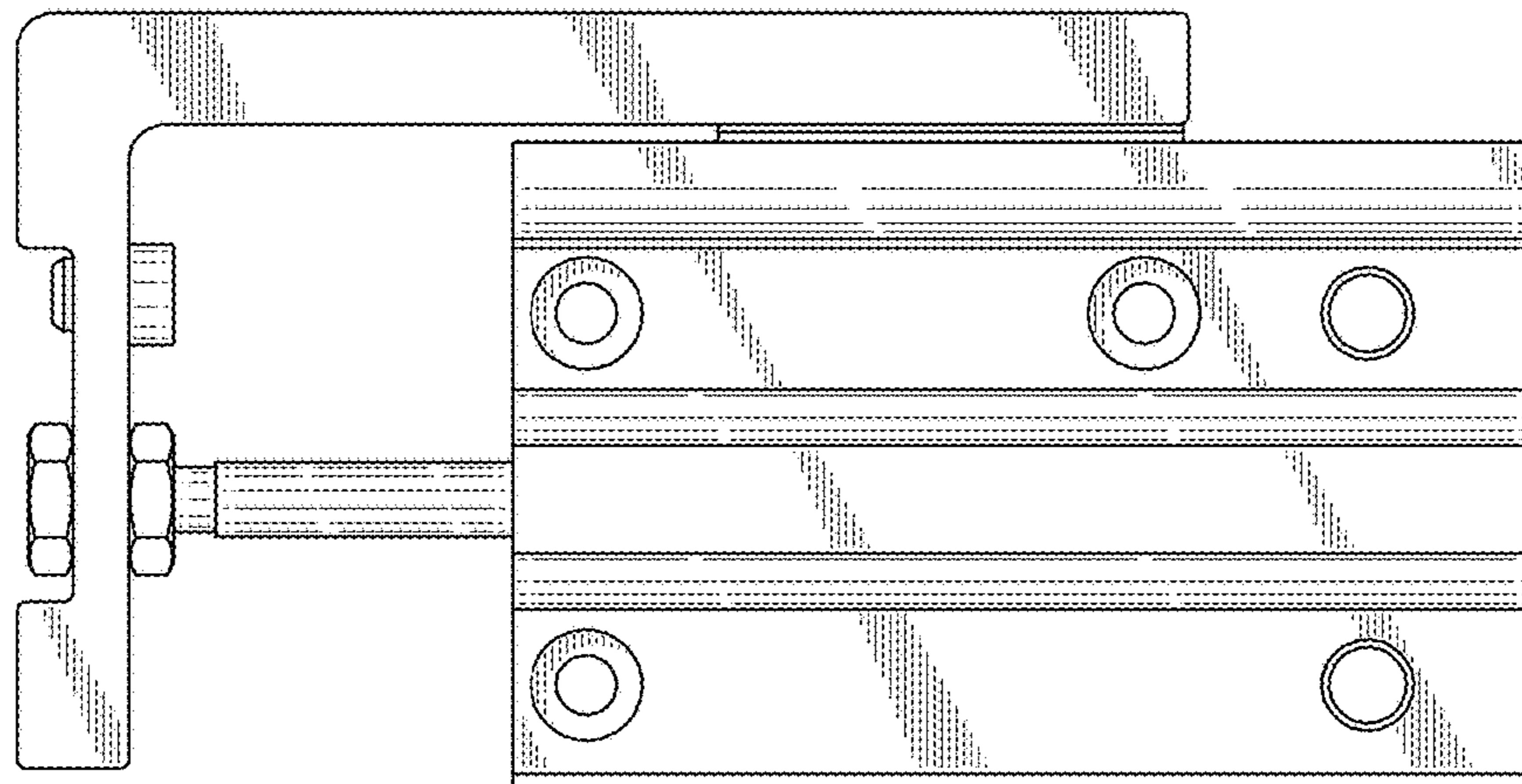


FIG. 12

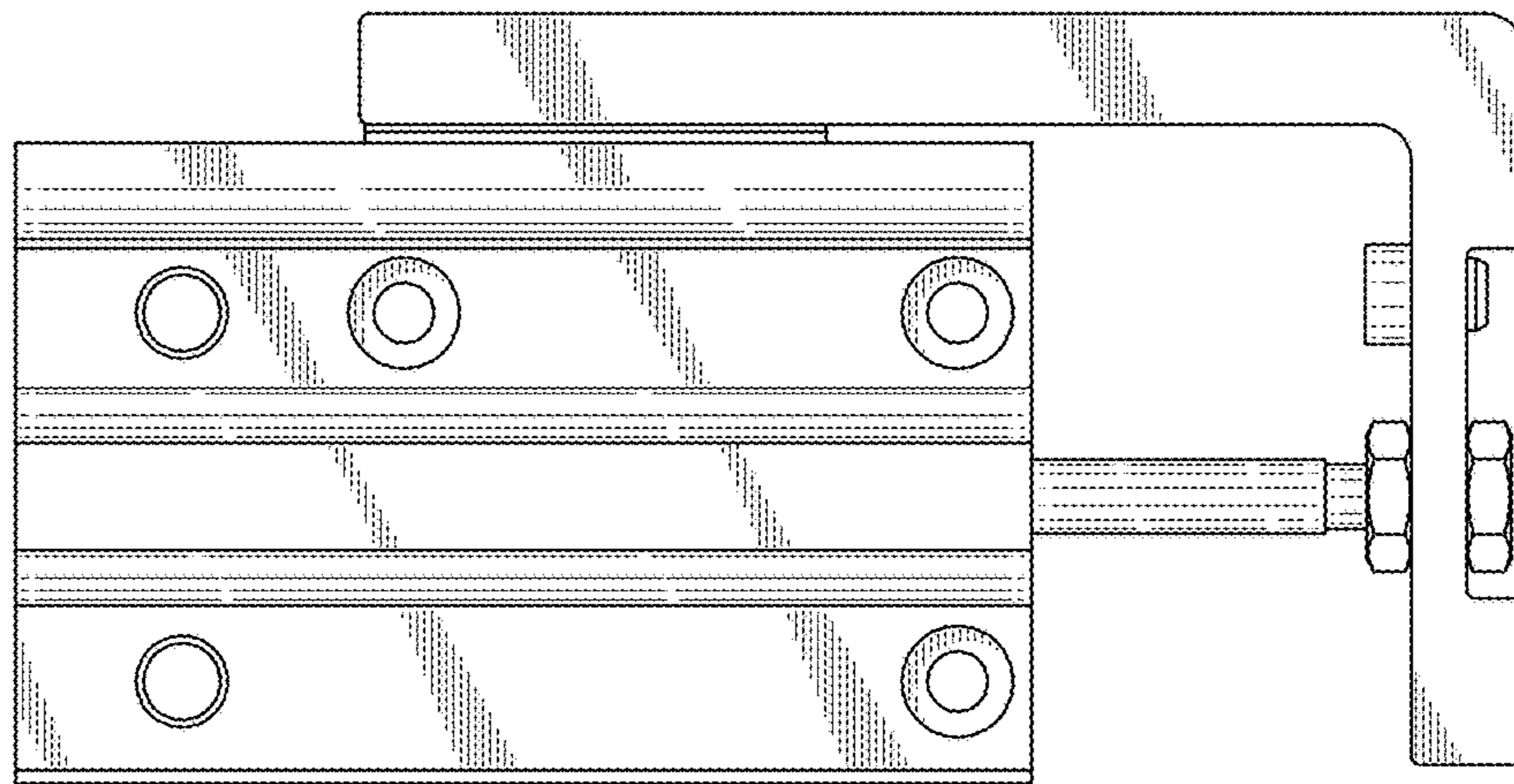




FIG. 13

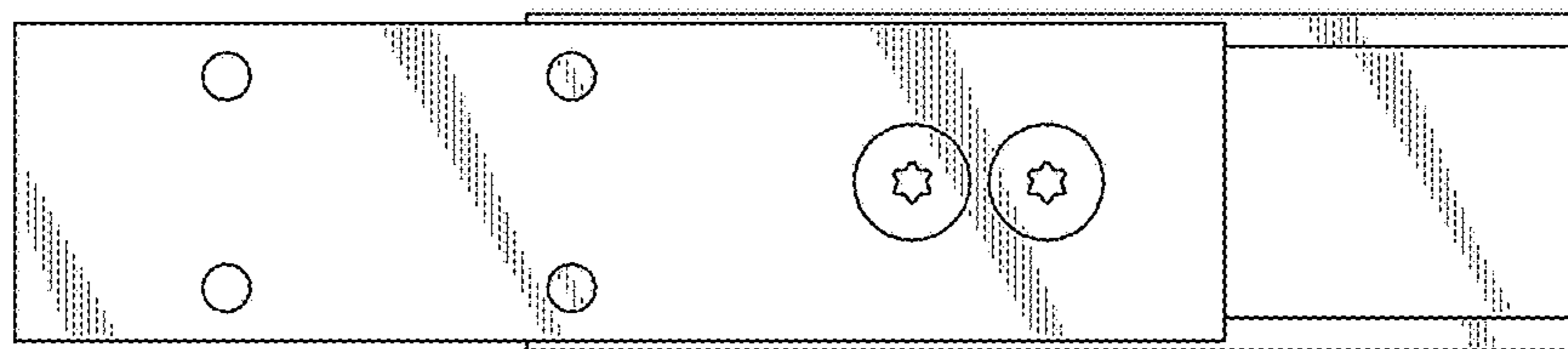


FIG. 14

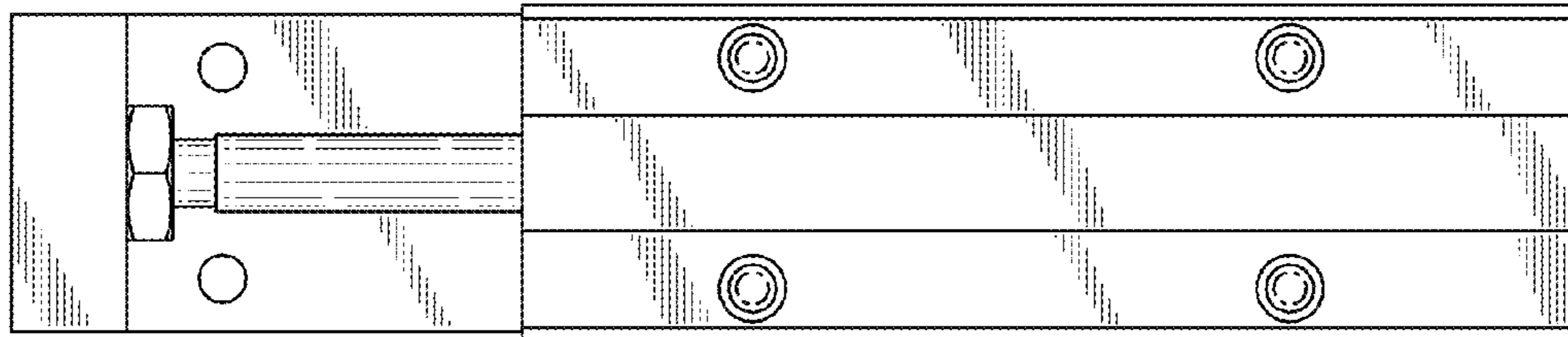


FIG. 15

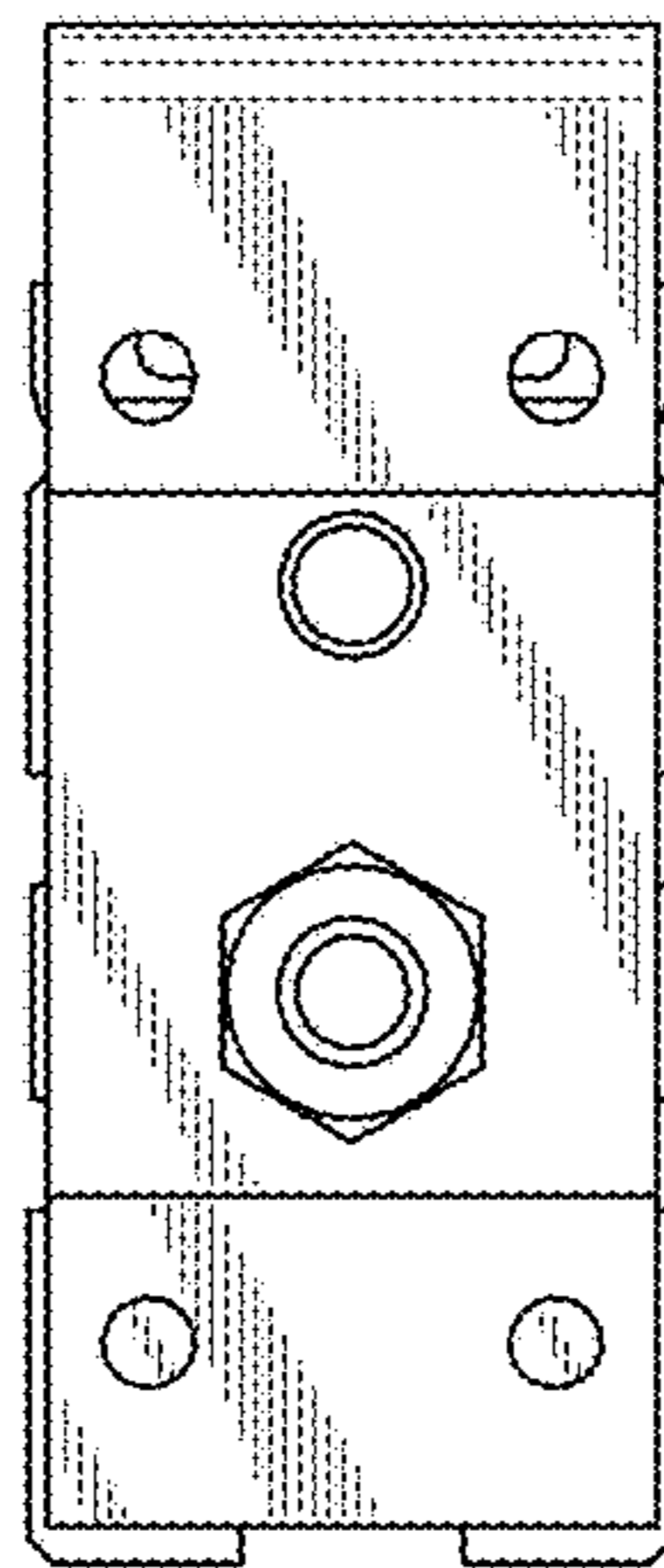


FIG. 16

