



US00D846075S

(12) **United States Design Patent**
Sato et al.

(10) **Patent No.:** **US D846,075 S**
(45) **Date of Patent:** **** Apr. 16, 2019**

(54) **FLUID PRESSURE CYLINDER WITH TABLE**

7,191,695 B2 * 3/2007 Sato F15B 15/226
92/88

(71) Applicant: **SMC CORPORATION**, Tokyo (JP)

7,353,748 B2 * 4/2008 Sato B24B 19/06
92/163

(72) Inventors: **Motohiro Sato**, Toride (JP); **Nariaki Suzuki**, Tokyo (JP); **Toshio Sato**, Tsukuba (JP)

D638,730 S 5/2011 Ishibashi et al.
D644,665 S 9/2011 Ishibashi et al.
D645,054 S 9/2011 Ishibashi et al.
D670,790 S * 11/2012 Tokumoto D23/233
8,998,491 B2 * 4/2015 Ishibashi F16C 29/0607
384/13

(73) Assignee: **SMC CORPORATION**, Tokyo (JP)

(**) Term: **15 Years**

FOREIGN PATENT DOCUMENTS

(21) Appl. No.: **29/611,749**

JP 1189225 S 11/2003
JP 1189462 S 11/2003
JP 1552654 S 6/2016

(22) Filed: **Jul. 25, 2017**

* cited by examiner

(30) **Foreign Application Priority Data**

Jan. 26, 2017 (JP) 2017-001295

(51) **LOC (11) Cl.** **23-01**

(52) **U.S. Cl.**
USPC **D23/235**

(58) **Field of Classification Search**
USPC D23/233-237, 240-249; 137/884, 597,
137/606, 625.64, 883, 596.16, 602, 605;
D15/1-7, 143, 148, 199; D10/85;
384/13; 92/163, 88, 128; 91/406
CPC F15B 15/24; F15B 15/26; F15B 15/08;
F15B 15/14; F15B 15/1428
See application file for complete search history.

Primary Examiner — Cynthia Ramirez

Assistant Examiner — Gino Colan

(74) *Attorney, Agent, or Firm* — Birch, Stewart, Kolasch & Birch, LLP

(57) **CLAIM**

The ornamental design for a fluid pressure cylinder with table, as shown and described.

DESCRIPTION

FIG. 1 is a front, top and left side perspective view of a fluid pressure cylinder with table showing our new design; FIG. 2 is a rear, bottom and right side perspective view thereof; FIG. 3 is a front view thereof; FIG. 4 is a rear view thereof; FIG. 5 is a top plan view thereof; FIG. 6 is a bottom plan view thereof; FIG. 7 is a left side view thereof; and, FIG. 8 is a right side view thereof. The dashed-dot broken lines shown in the figures are included for the purpose of illustrating bounds of the claim and form no part of the claimed design.

(56) **References Cited**

U.S. PATENT DOCUMENTS

D444,795 S * 7/2001 Wakasugi D15/7
6,336,390 B1 * 1/2002 Sato F15B 15/1404
91/406
6,476,525 B2 * 11/2002 Sato B23Q 5/40
310/20
6,490,961 B2 * 12/2002 Sato F15B 15/1404
91/406
6,550,369 B2 * 4/2003 Sato F15B 15/086
92/128

1 Claim, 8 Drawing Sheets

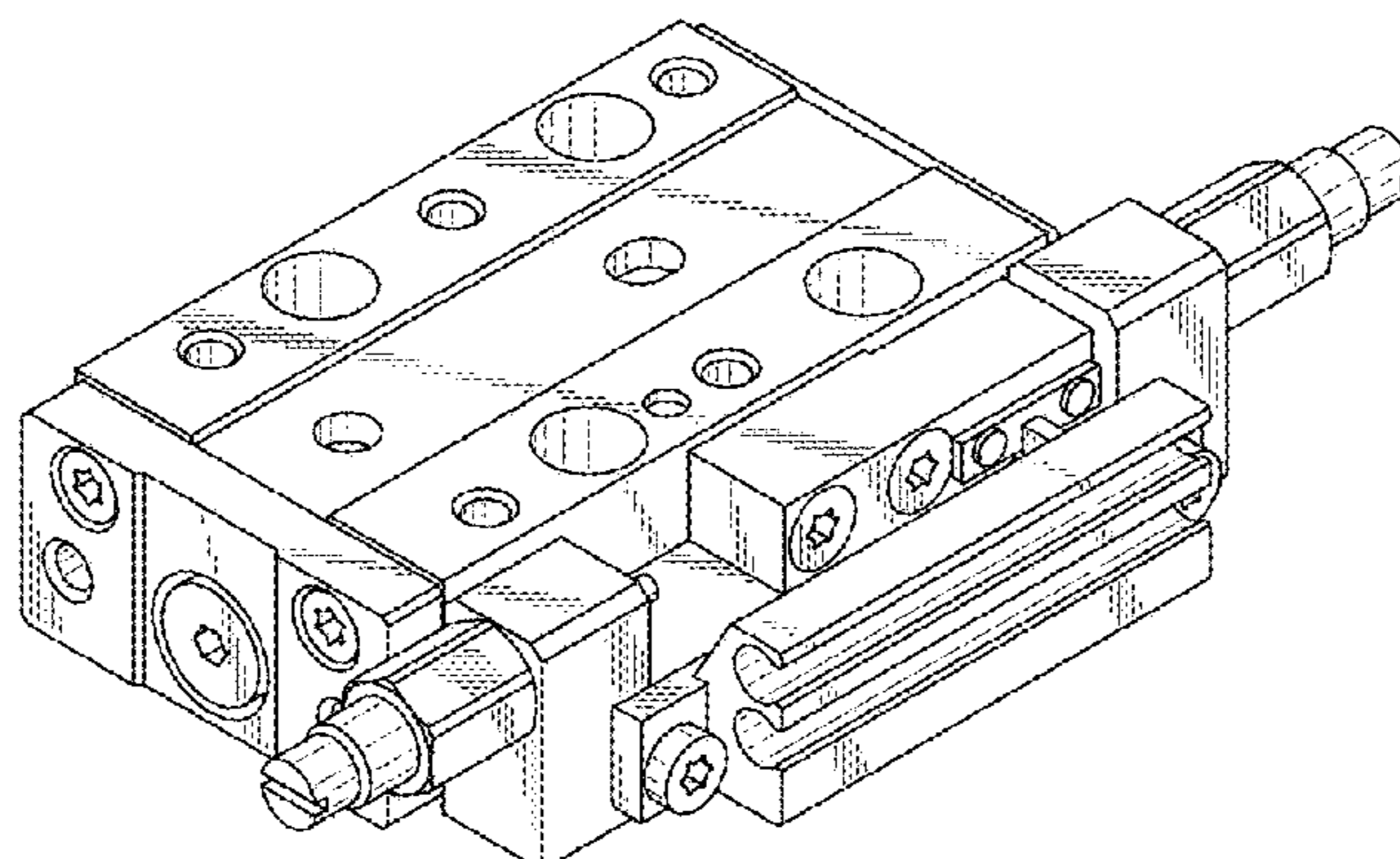


FIG. 1

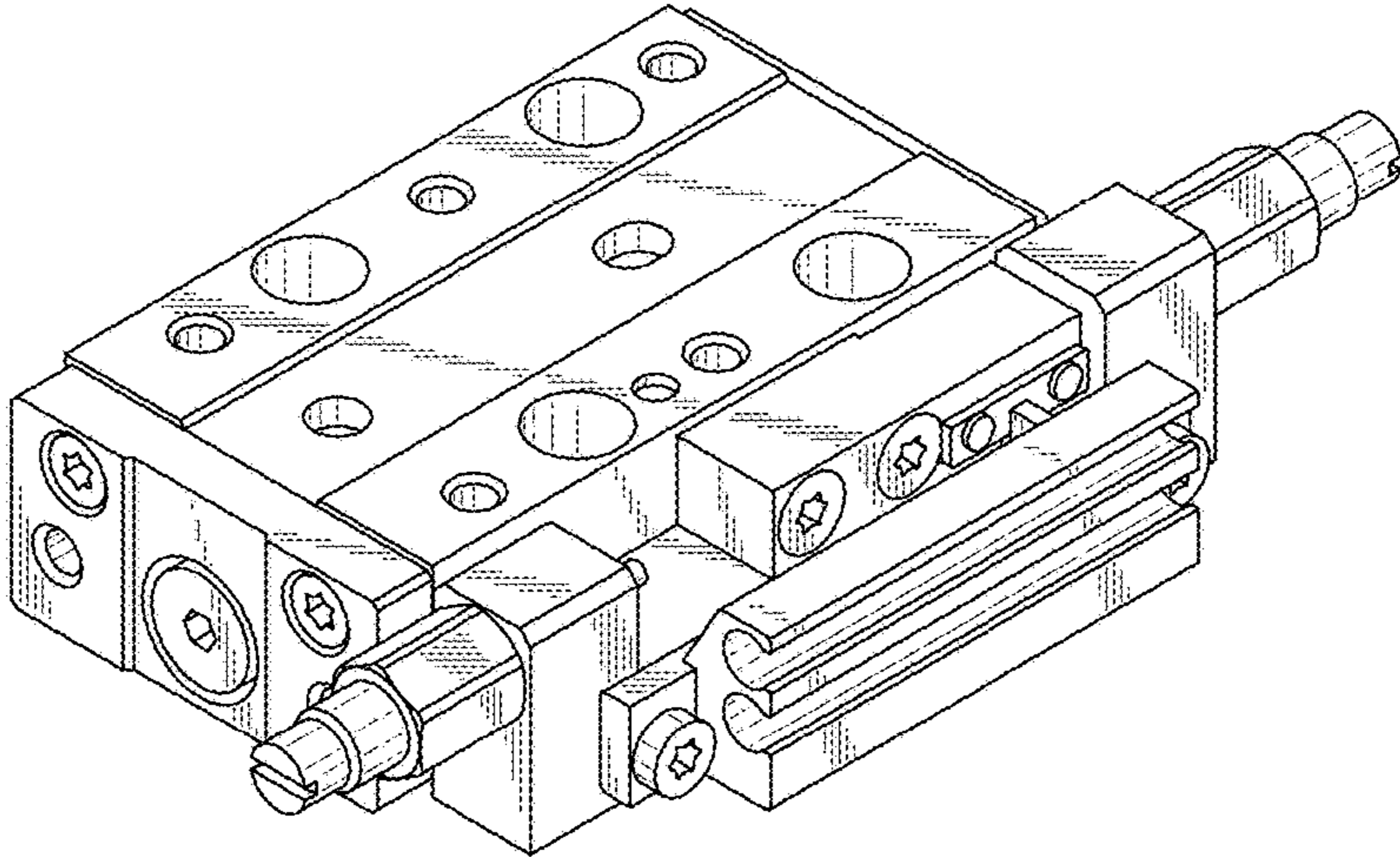


FIG. 2

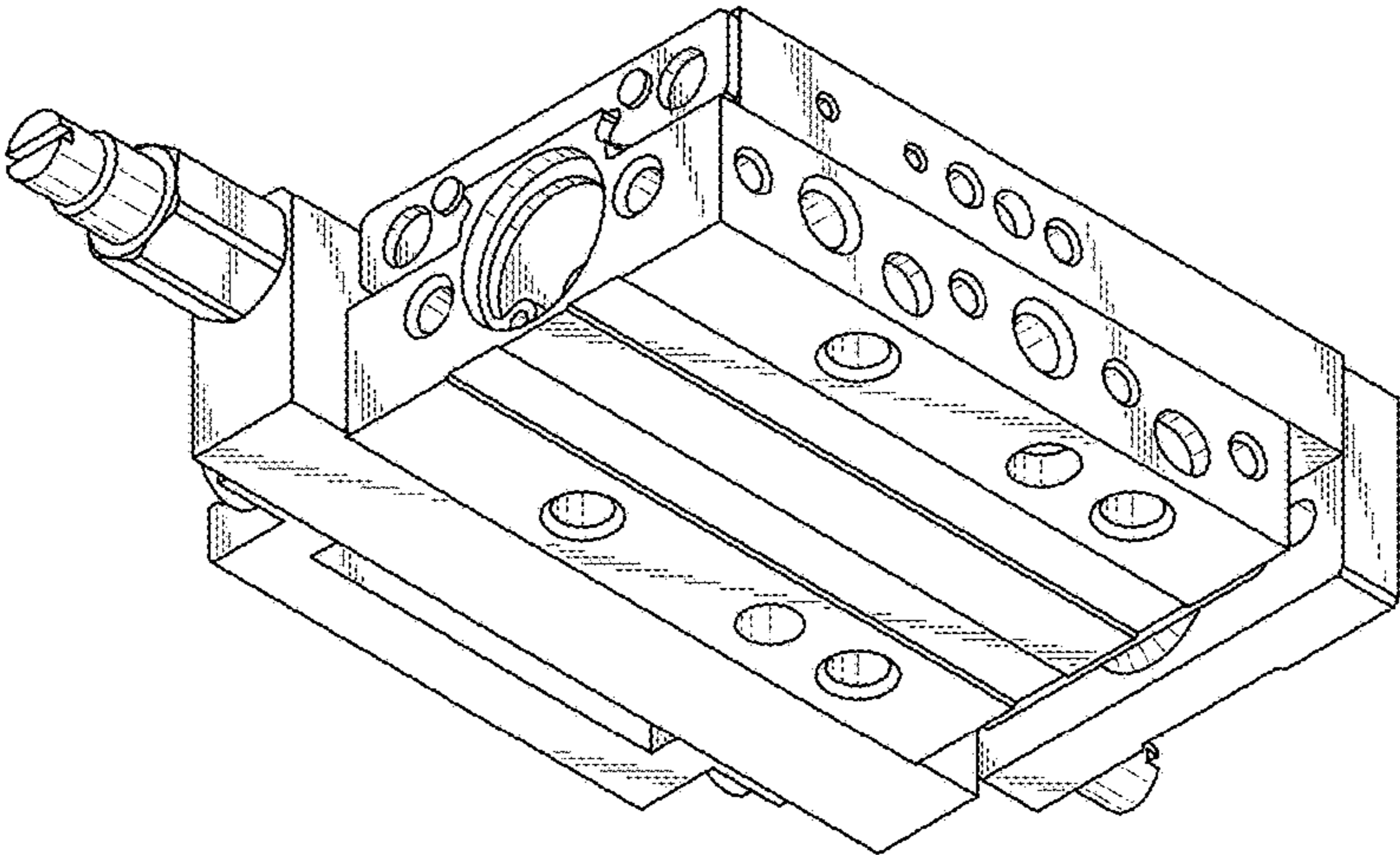


FIG. 3

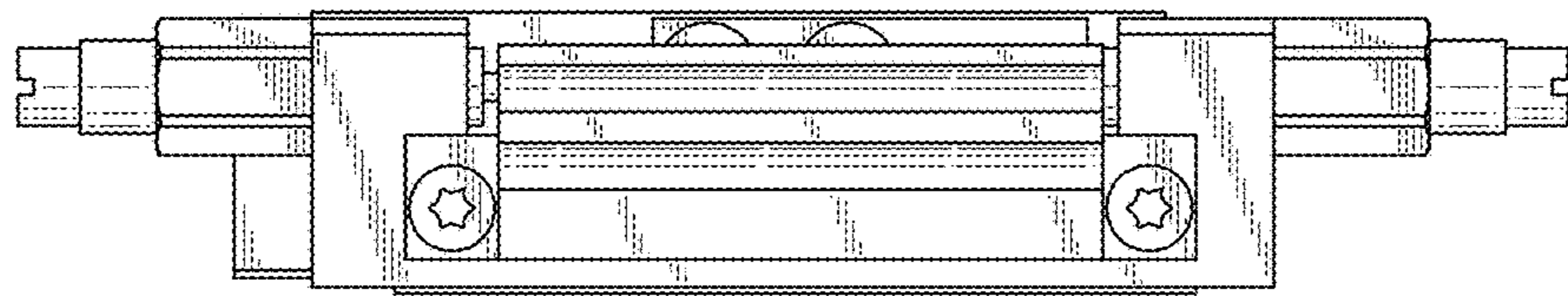


FIG. 4

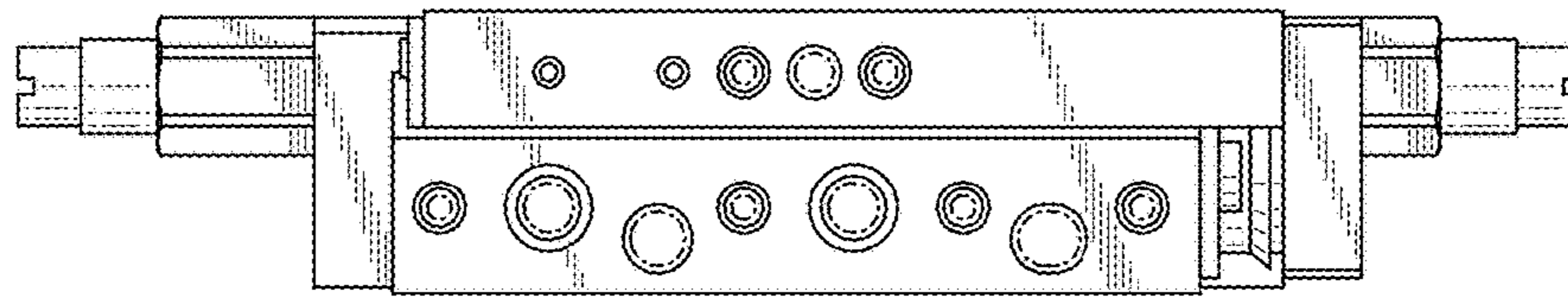


FIG. 5

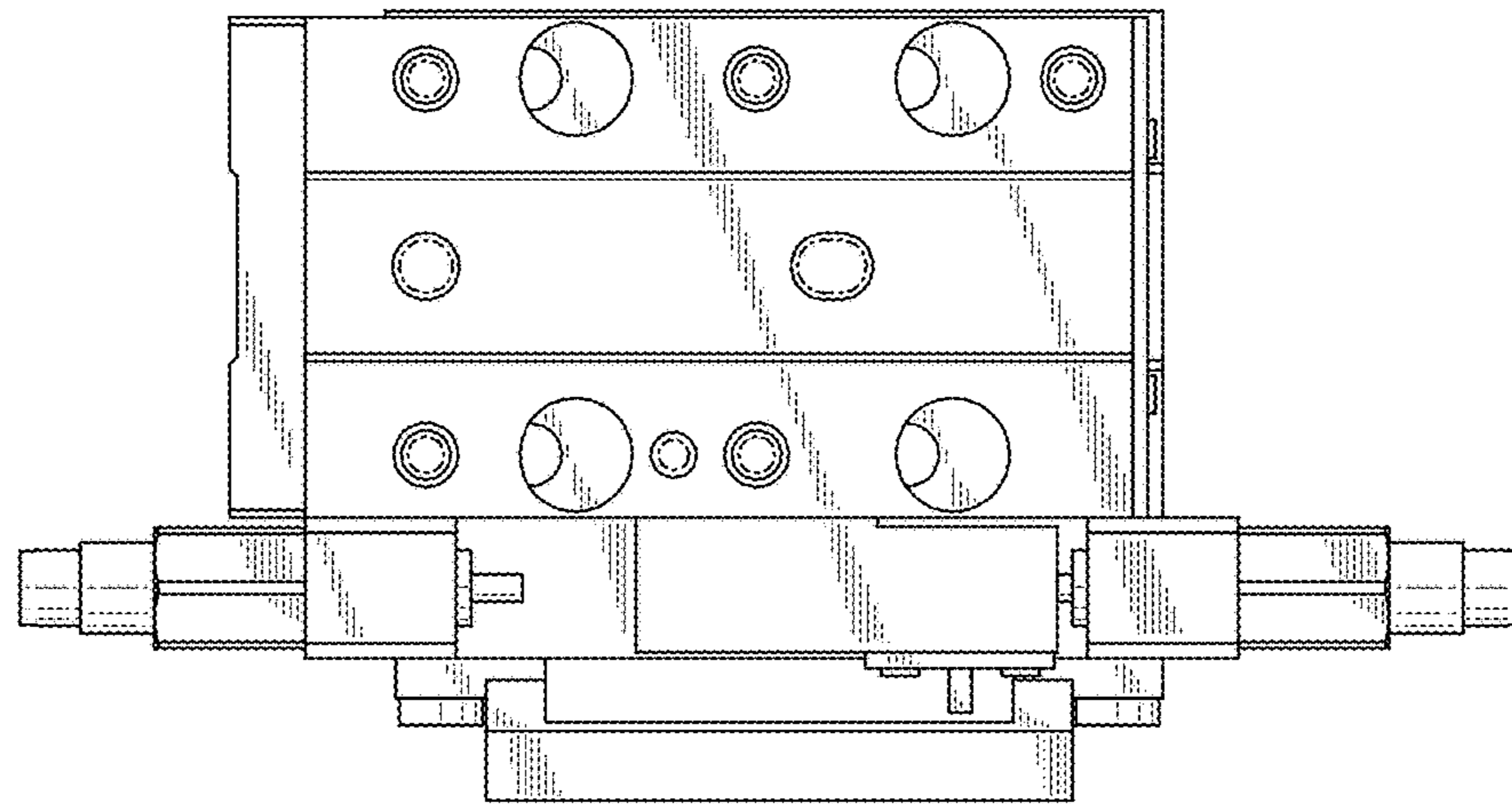


FIG. 6

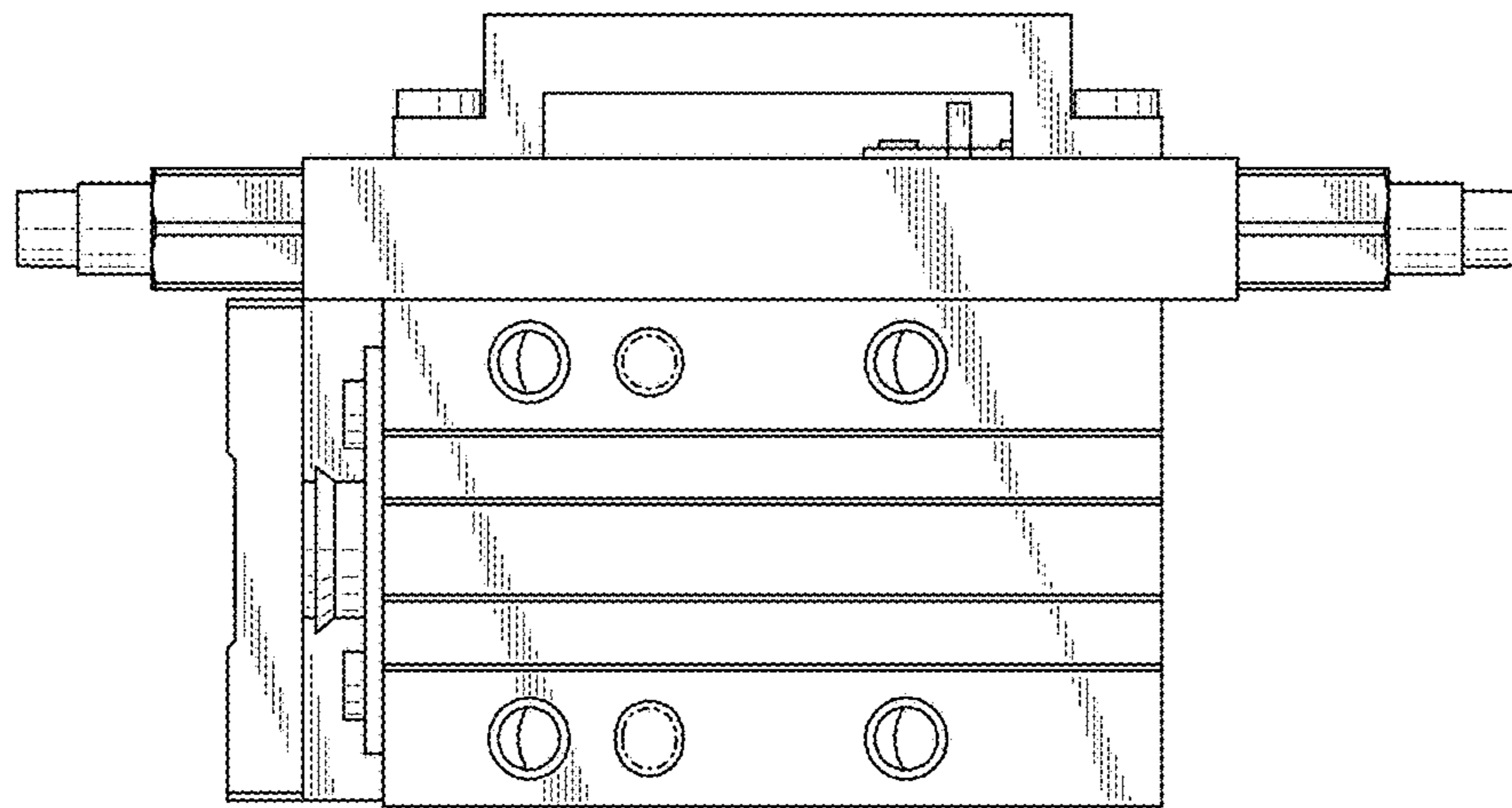


FIG. 7

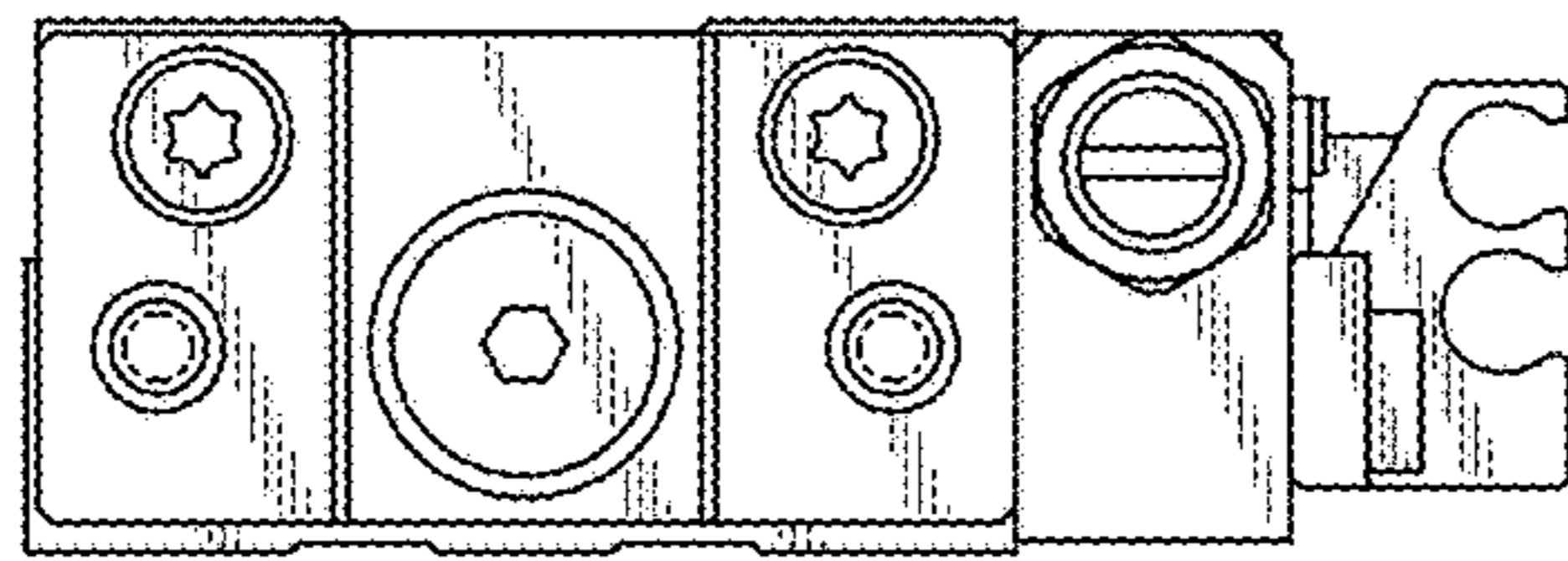


FIG. 8

