



US00D846074S

(12) **United States Design Patent**
Pease et al.

(10) **Patent No.:** **US D846,074 S**
(45) **Date of Patent:** **** Apr. 16, 2019**

(54) **NOZZLE**
(71) Applicant: **Fiskars Finland Oy Ab**, Helsinki (FI)
(72) Inventors: **Daniel M. Pease**, Middleton, WI (US);
Jean Mauricio Uruena Montoya,
Madison, WI (US); **Nicholas J. Vallo**,
Madison, WI (US)
(73) Assignee: **Fiskars Finland Oy Ab**, Helsinki (FI)

D472,959 S 4/2003 Alkalay et al.
6,602,085 B2 8/2003 Young et al.
7,124,965 B1 10/2006 Chen
7,258,285 B1 8/2007 Combs et al.
D603,940 S 11/2009 Jerabek et al.
D604,389 S * 11/2009 Cheng D23/223
D604,390 S 11/2009 Cheng
D615,615 S 5/2010 Cheng
D619,208 S 7/2010 Jian et al.
(Continued)

(**) Term: **15 Years**
(21) Appl. No.: **29/612,771**

OTHER PUBLICATIONS

U.S. Appl. No. 29/600,627, filed Apr. 13, 2017, Fiskars OYJ ABP.
(Continued)

(22) Filed: **Aug. 3, 2017**
(51) **LOC (11) Cl.** **23-01**
(52) **U.S. Cl.**
USPC **D23/226**
(58) **Field of Classification Search**
USPC D23/213, 223, 226; 239/526, 443
CPC B05B 1/10; B05B 1/18; B05B 9/01; B05B
15/061; B05B 1/08; B05B 1/14; B05B
1/185
See application file for complete search history.

Primary Examiner — Robin V Webster
(74) *Attorney, Agent, or Firm* — Foley & Lardner LLP

(57) **CLAIM**

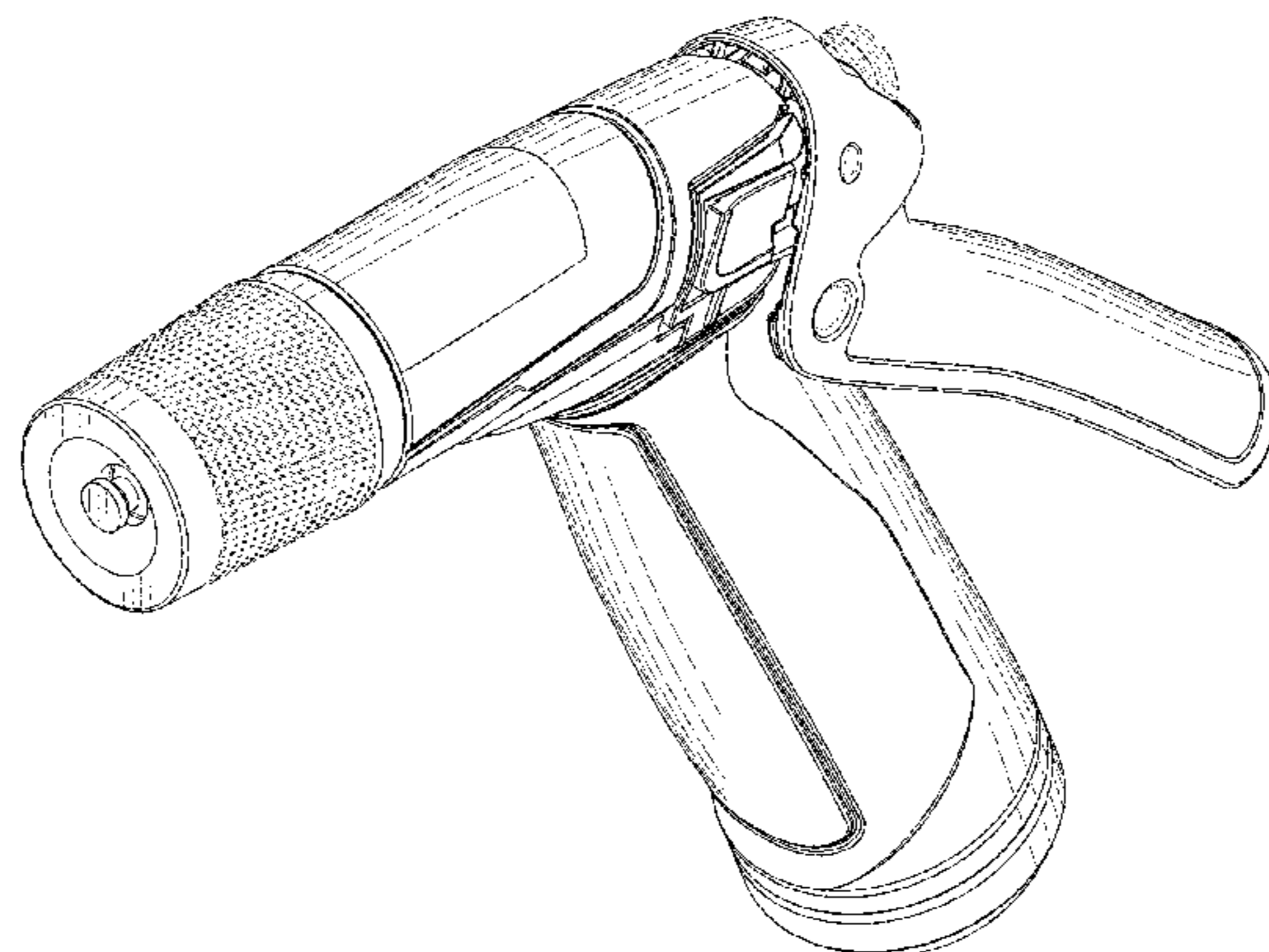
We claim the ornamental design for a nozzle, as shown and described.

DESCRIPTION

FIG. 1 is a top perspective view of the claimed design;
FIG. 2 is front view thereof;
FIG. 3 is a rear view thereof;
FIG. 4 is a left side view thereof;
FIG. 5 is a right side view thereof;
FIG. 6 is a top view thereof;
FIG. 7 is a bottom view thereof; and,
FIG. 8 is a bottom perspective view thereof.
Any portion of the article depicted in broken lines forms no part of the claimed design. Broken lines formed by equal length dashes show unclaimed subject matter. Broken lines formed of unequal length dashes (i.e., dash-dot) show boundaries between claimed and unclaimed portions of the design. Broken lines having a jagged element show that no particular length of the portion is claimed.

(56) **References Cited**
U.S. PATENT DOCUMENTS
646,590 A 4/1900 Williams
1,148,630 A 8/1915 Schmidt
2,364,905 A 12/1944 Lewis
2,376,881 A 5/1945 Nielsen
2,813,730 A 11/1957 Courtot
2,814,862 A 12/1957 Heckethorn
2,985,384 A 5/1961 Martin
3,150,829 A 9/1964 Specht et al.
3,162,470 A 12/1964 Davidson et al.
D296,579 S 7/1988 Hattori
D329,891 S 9/1992 Sievers
5,192,219 A 3/1993 Fowler et al.
5,364,135 A 11/1994 Anderson
5,806,770 A 9/1998 Wang

1 Claim, 6 Drawing Sheets



(56)

References Cited

U.S. PATENT DOCUMENTS

D650,042 S 12/2011 Nies et al.
 D650,044 S 12/2011 Nies et al.
 D650,045 S * 12/2011 Nies D23/223
 D678,980 S 3/2013 Nies et al.
 D702,319 S 4/2014 Mammen
 D712,512 S * 9/2014 Mammen D23/226
 D713,933 S * 9/2014 Mammen D23/226
 D714,422 S 9/2014 Mammen et al.
 D714,423 S 9/2014 Mammen et al.
 D714,908 S * 10/2014 Mammen D23/226
 D736,350 S * 8/2015 Cheng D23/226
 D746,946 S 1/2016 Naslund
 D746,947 S 1/2016 Naslund
 D748,758 S * 2/2016 Duong D23/223
 9,559,458 B2 1/2017 Zhang et al.
 D779,041 S 2/2017 Chen
 D782,005 S 3/2017 Naslund et al.
 D782,007 S * 3/2017 Naslund D23/226
 D782,008 S 3/2017 Naslund et al.
 D783,125 S 4/2017 Chen
 D792,947 S * 7/2017 Hung D23/226

D799,001 S 10/2017 Gooden
 D799,002 S 10/2017 Gooden
 D802,092 S 11/2017 Naslund et al.
 D808,499 S 1/2018 Naslund et al.
 D824,487 S * 7/2018 Montoya D23/223
 D824,488 S * 7/2018 Montoya D23/223
 D824,489 S * 7/2018 Montoya D23/223

OTHER PUBLICATIONS

U.S. Appl. No. 29/600,628, filed Apr. 13, 2017, Fiskars OYJ ABP.
 U.S. Appl. No. 29/600,631, filed Apr. 13, 2017, Fiskars OYJ ABP.
 U.S. Appl. No. 29/600,632, filed Apr. 13, 2017, Fiskars OYJ ABP.
 U.S. Appl. No. 29/600,633, filed Apr. 13, 2017, Fiskars OYJ ABP.
 U.S. Appl. No. 29/600,634, filed Apr. 13, 2017, Fiskars OYJ ABP.
 U.S. Appl. No. 29/612,769, filed Aug. 3, 2017, Fiskars Finland OY AB.
 U.S. Appl. No. 29/612,773, filed Aug. 3, 2017, Fiskars Finland OY AB.
 U.S. Appl. No. 29/612,774, filed Aug. 3, 2017, Fiskars Finland OY AB.

* cited by examiner

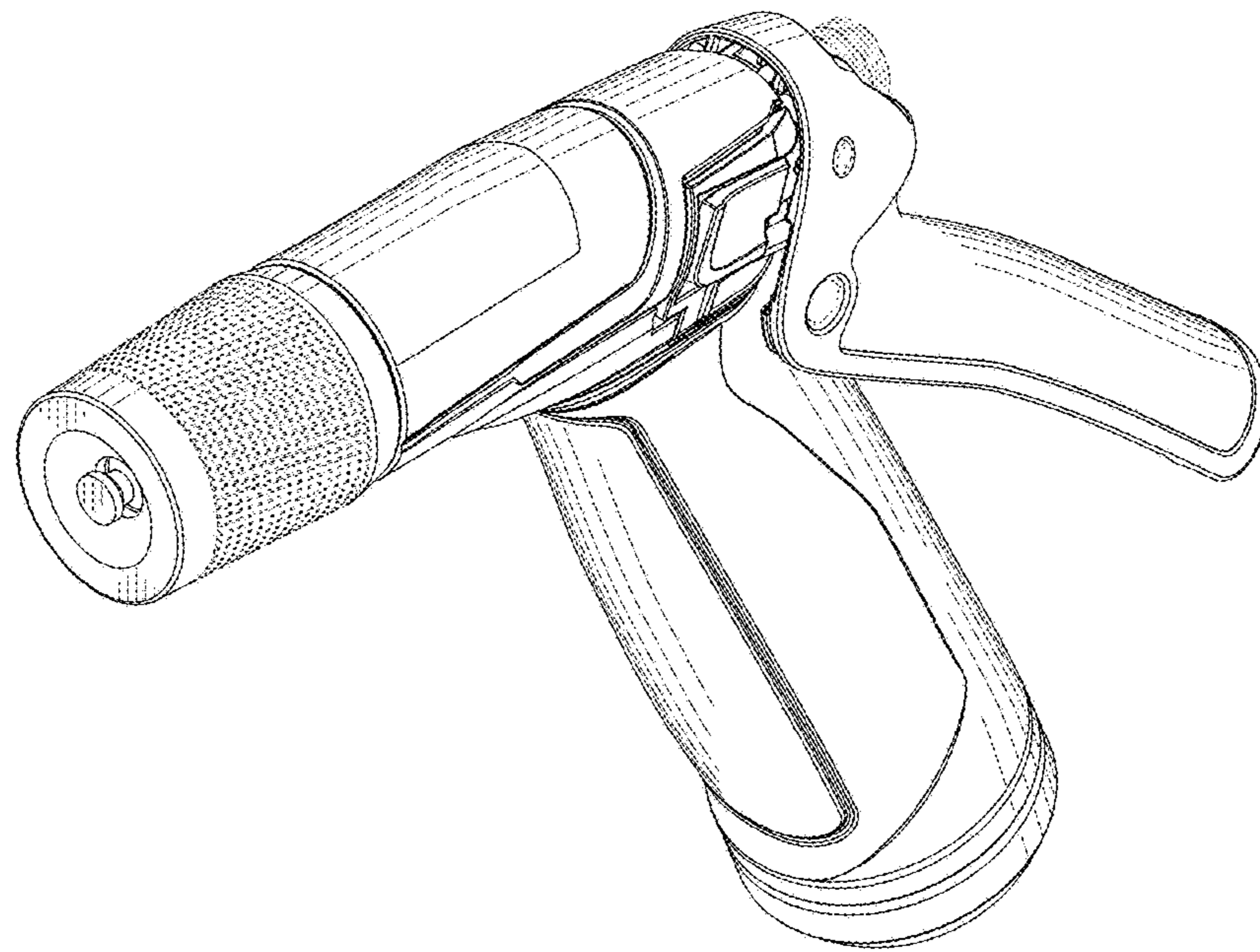


FIG. 1

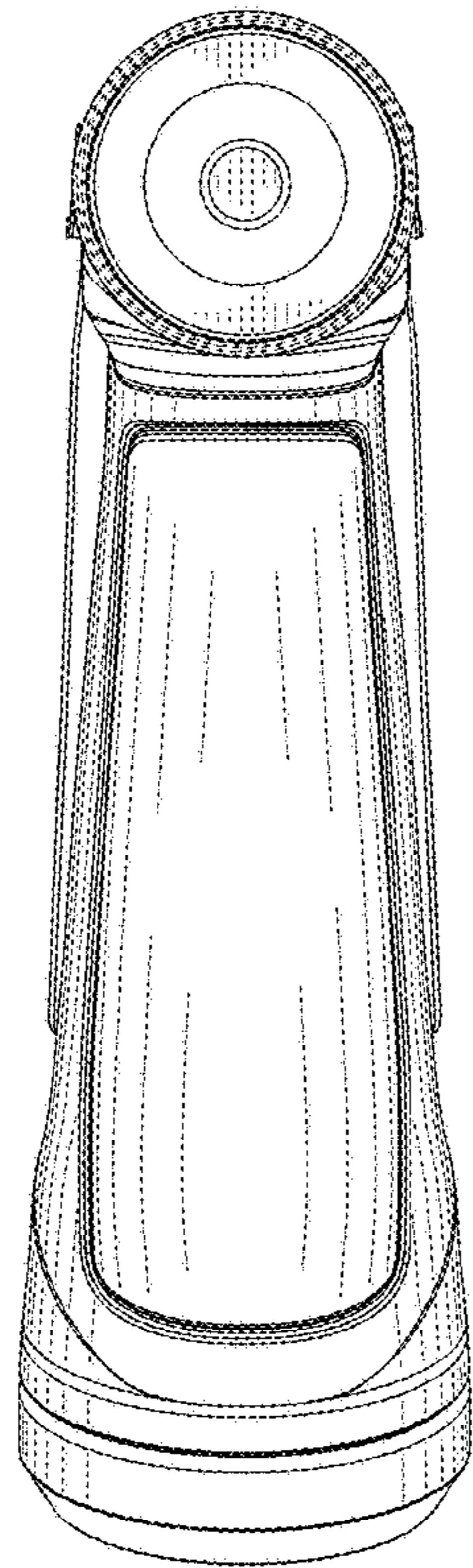


FIG. 2

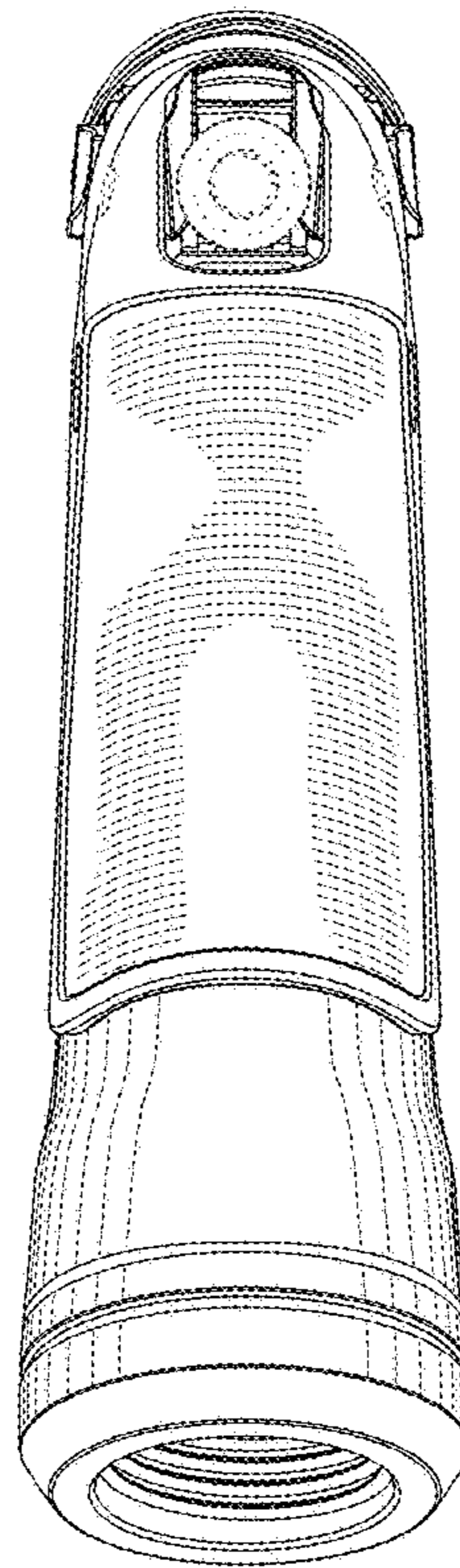


FIG. 3

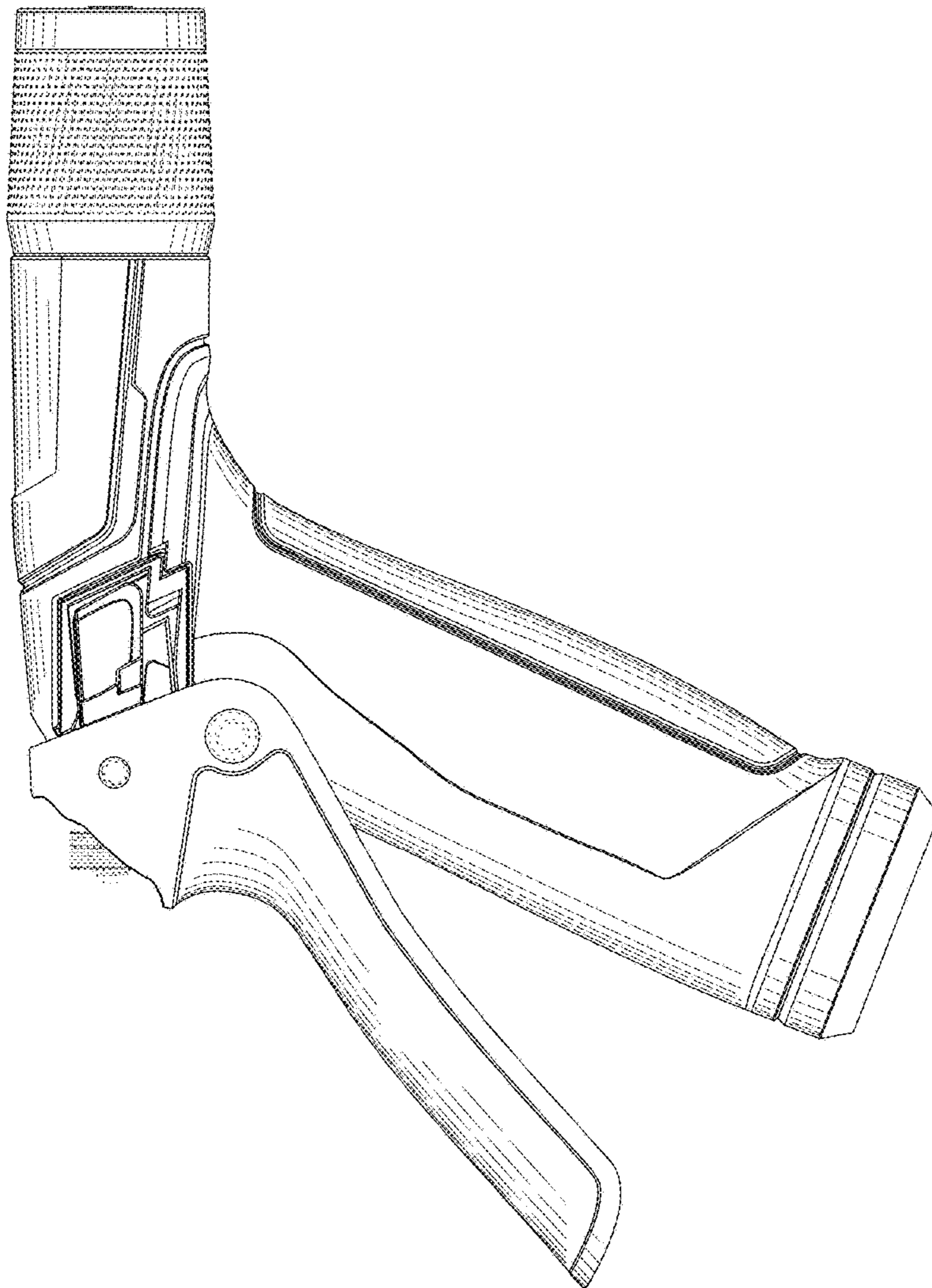


FIG. 4

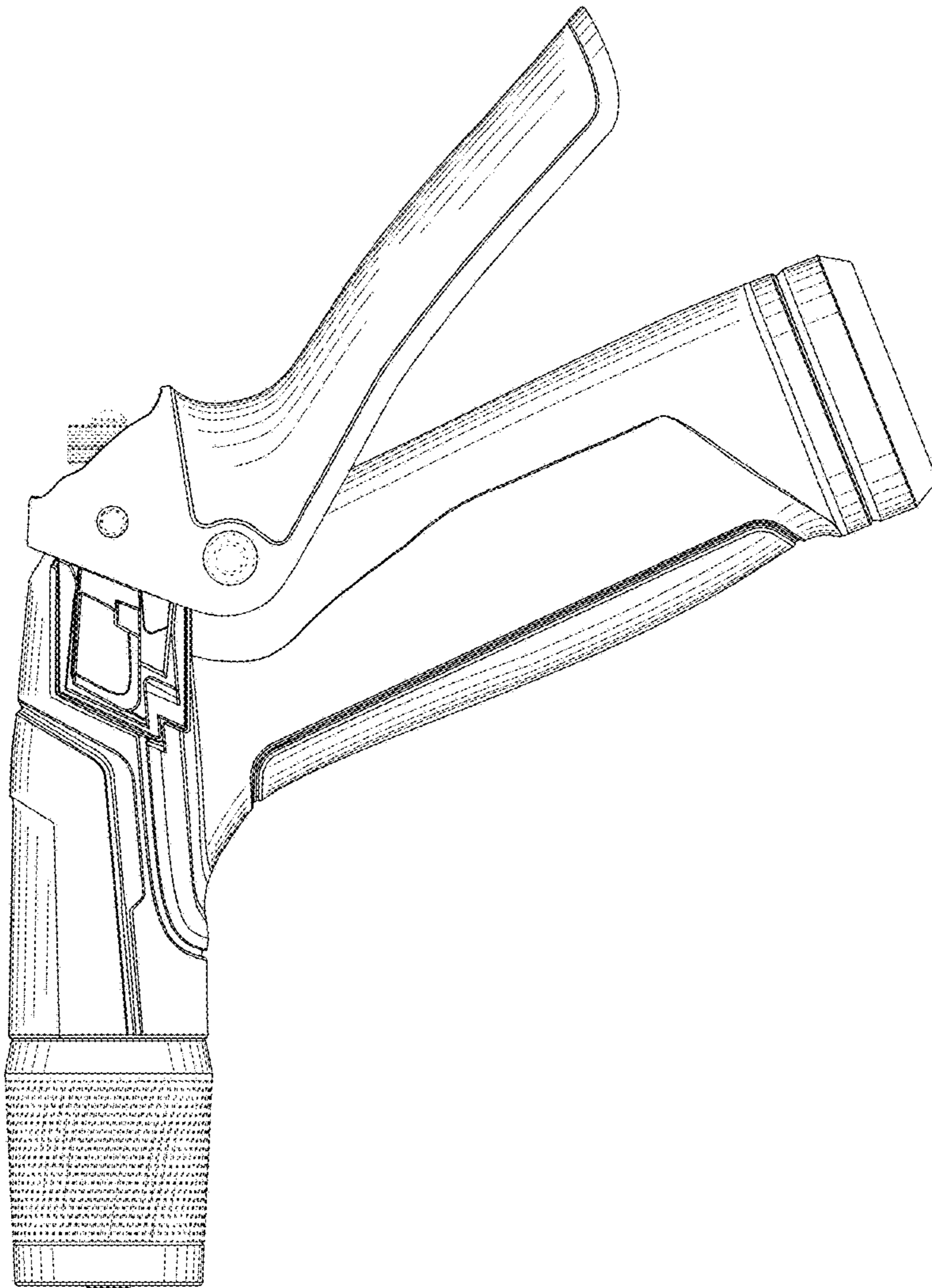


FIG. 5

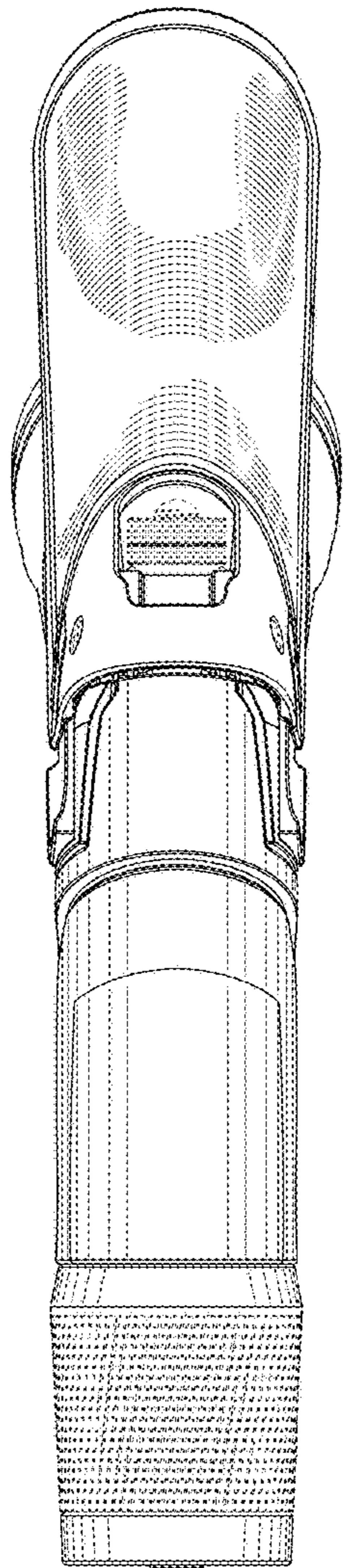


FIG. 6

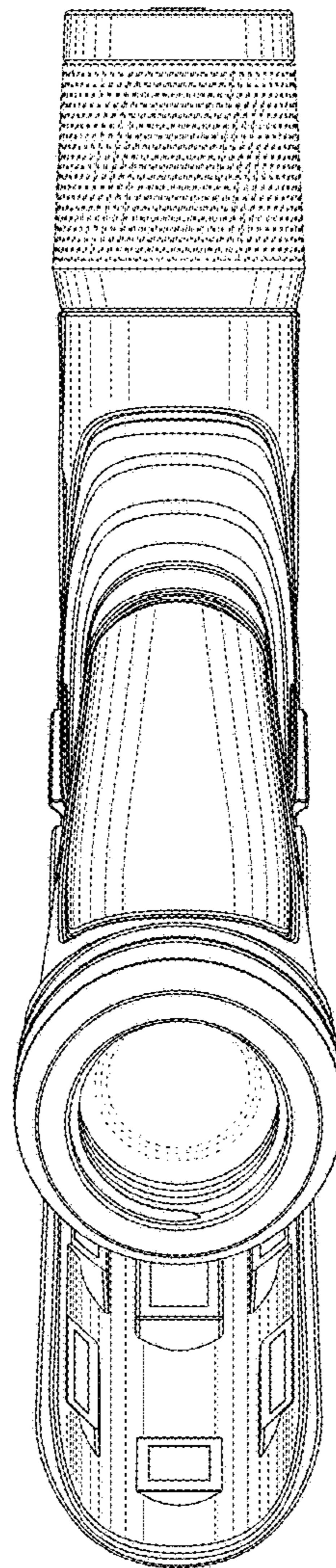


FIG. 7

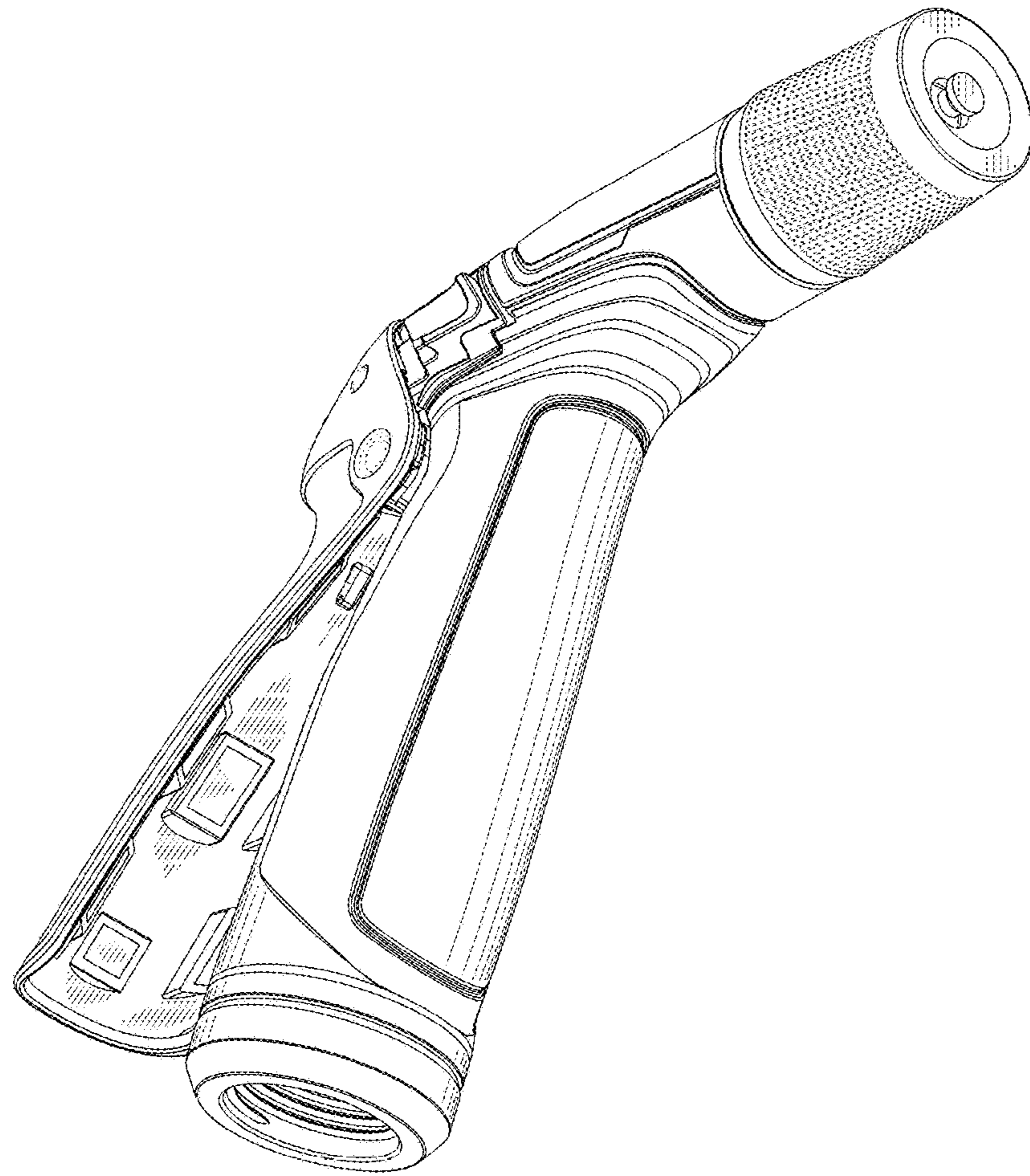


FIG. 8