



US00D846073S

(12) **United States Design Patent**
Ip

(10) **Patent No.:** **US D846,073 S**

(45) **Date of Patent:** **** Apr. 16, 2019**

(54) **CYLINDRICAL TANK**

(71) Applicant: **Hung Yam Ip**, Guangdong (CN)

(72) Inventor: **Hung Yam Ip**, Guangdong (CN)

(**) Term: **15 Years**

(21) Appl. No.: **29/614,507**

(22) Filed: **Aug. 21, 2017**

(30) **Foreign Application Priority Data**

Feb. 20, 2017 (CN) 2017 3 0044067

(51) **LOC (11) Cl.** **23-01**

(52) **U.S. Cl.**
USPC **D23/225**

(58) **Field of Classification Search**
USPC D23/213, 202-206, 200, 207, 225
CPC ... F16J 12/00; F17C 1/00; F17C 1/005; F17C
2223/0123; F17C 2223/035; F17C
2223/036; F02M 37/0076; Y10S 220/901;
Y10S 220/905; B05B 7/24; B05B 11/00;
B05B 7/2443; B05B 7/2416; B05B
7/2408; B05B 9/0883

See application file for complete search history.

(56) **References Cited**

U.S. PATENT DOCUMENTS

2,541,065 A * 2/1951 Jabour F17C 1/00
215/375
3,497,101 A * 2/1970 Ono Kaoru B01J 3/048
220/586

4,098,297 A * 7/1978 Zahid F15B 1/14
138/30
4,192,464 A * 3/1980 Chow B05B 9/0816
220/756
D311,571 S * 10/1990 Ballu D23/225
D312,297 S * 11/1990 Ballu D23/225
D347,047 S * 5/1994 Wood D23/225
D649,624 S * 11/2011 Hudson D23/225
D670,787 S * 11/2012 Kang D23/225
8,672,364 B2 * 3/2014 Schrum B05B 9/0406
285/33
D749,699 S * 2/2016 Nicolia D23/202

* cited by examiner

Primary Examiner — Robin V Webster

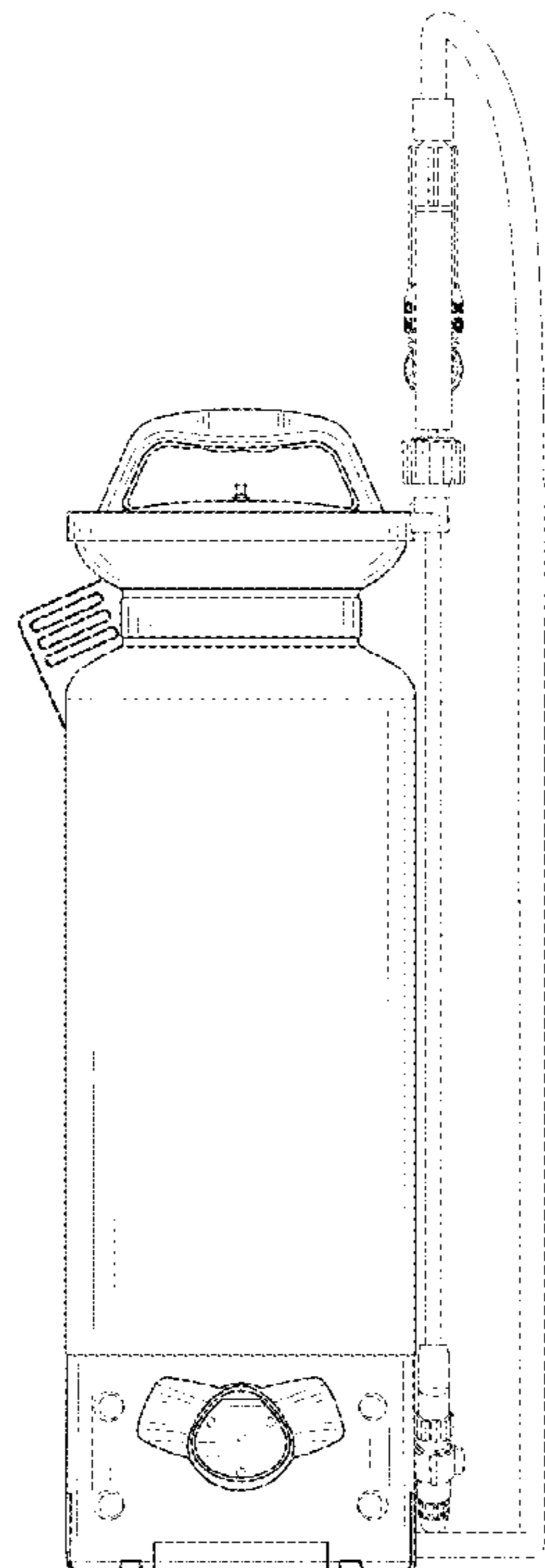
(57) **CLAIM**

The ornamental design for a cylindrical tank, as shown and described.

DESCRIPTION

FIG. 1 is a perspective view of a cylindrical tank showing my new design;
FIG. 2 is a front elevational view thereof;
FIG. 3 is a rear elevational view thereof;
FIG. 4 is a left side view thereof;
FIG. 5 is a right side view thereof;
FIG. 6 is a top plan view thereof; and,
FIG. 7 is a bottom plan view thereof.
The broken lines in the drawings illustrate portions of the cylindrical tank which form no part of the claimed design.

1 Claim, 7 Drawing Sheets



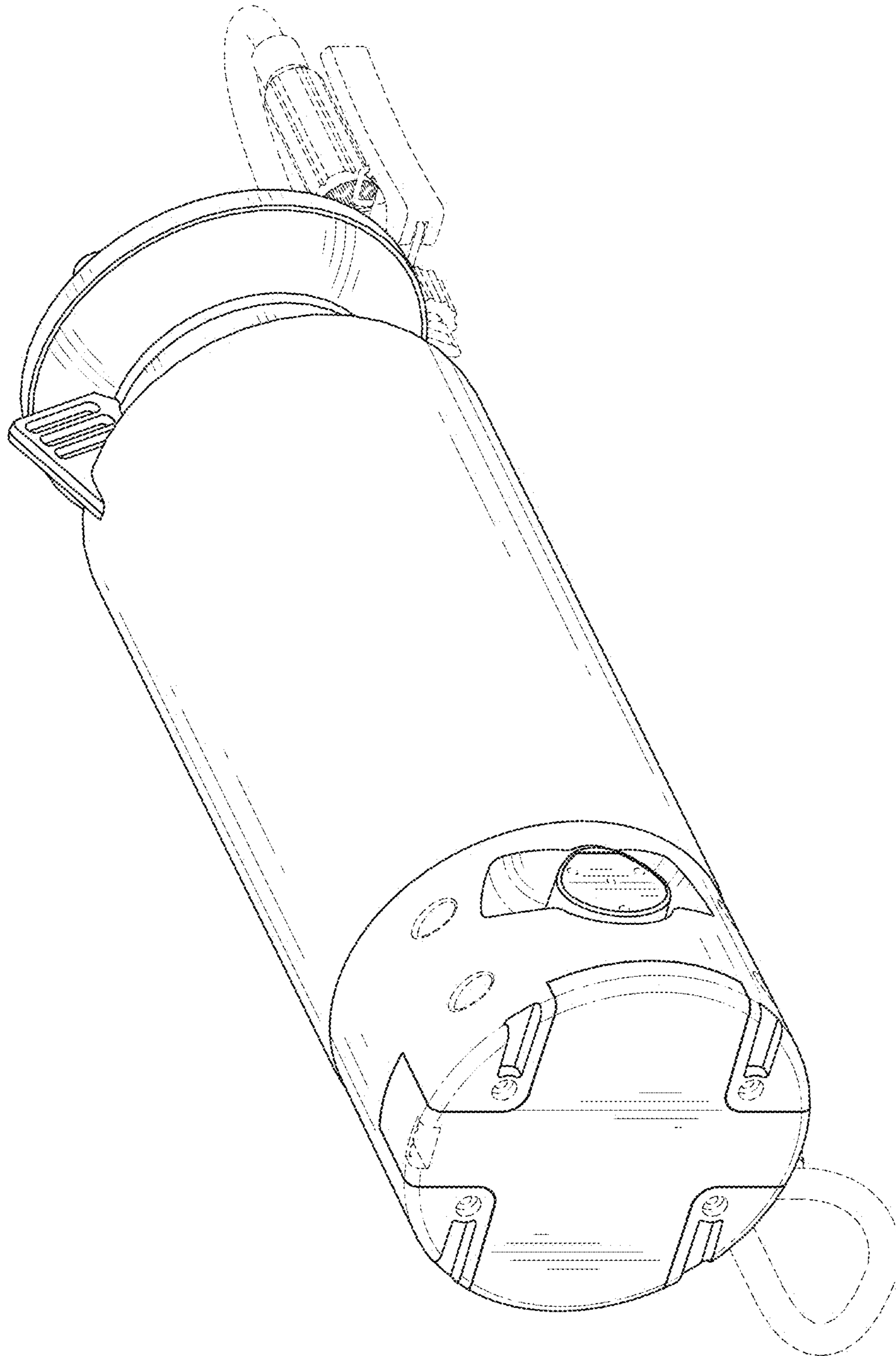


FIG. 1

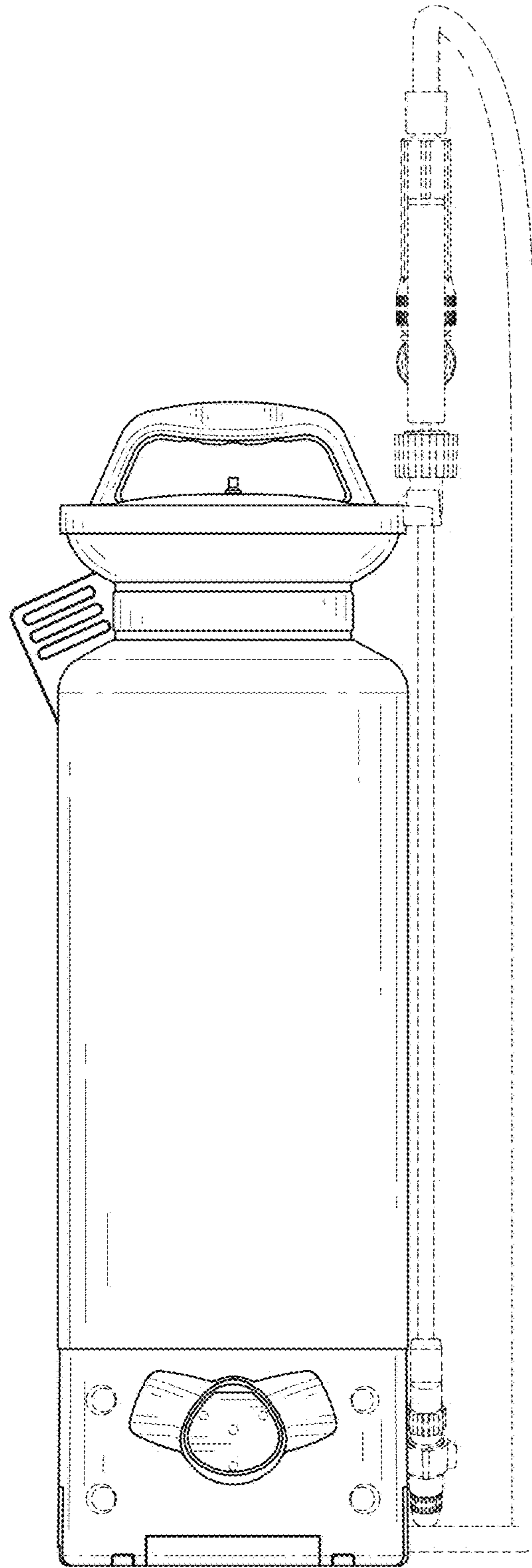


FIG. 2

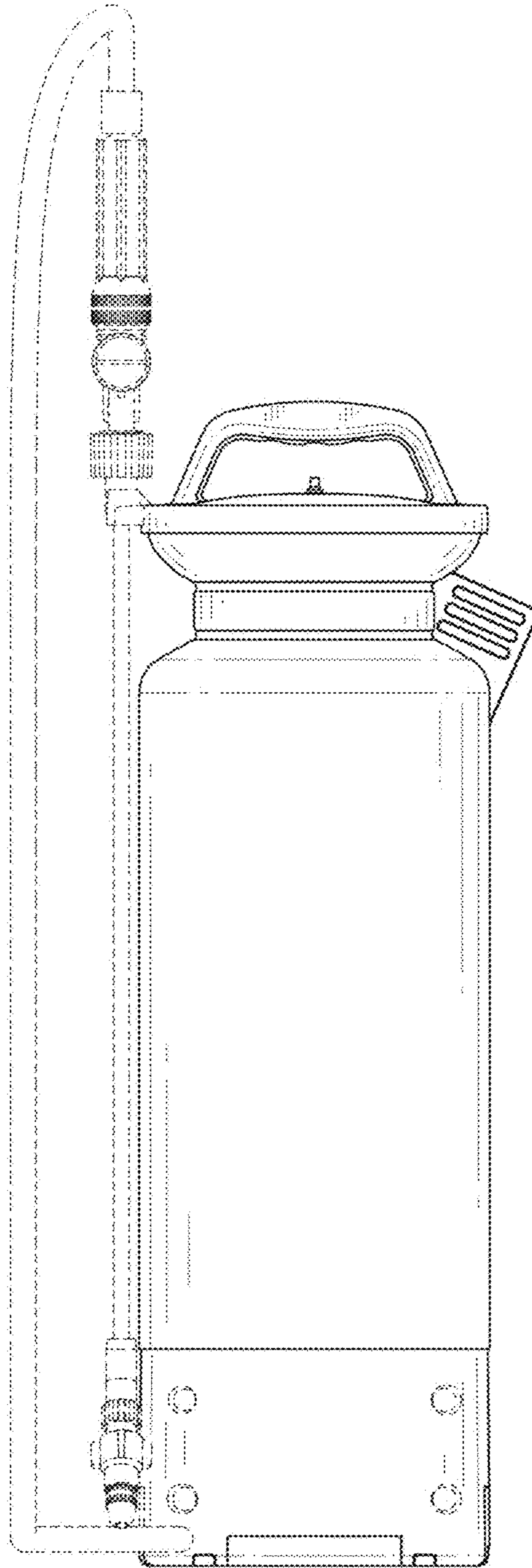


FIG. 3

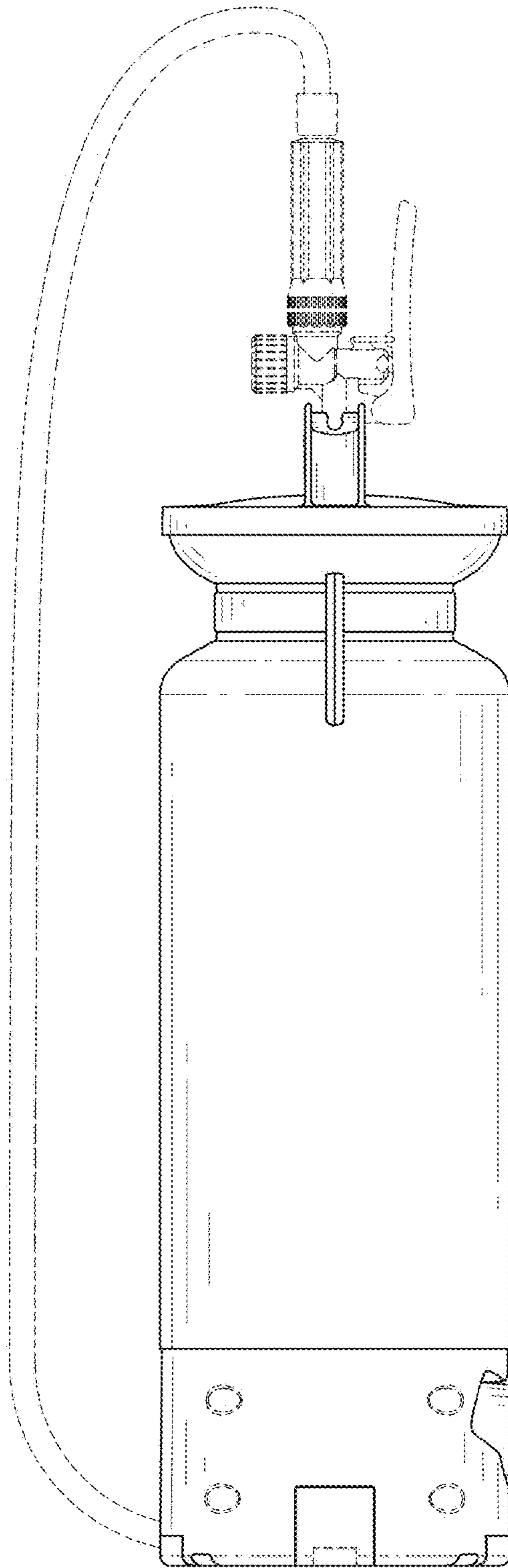


FIG. 4

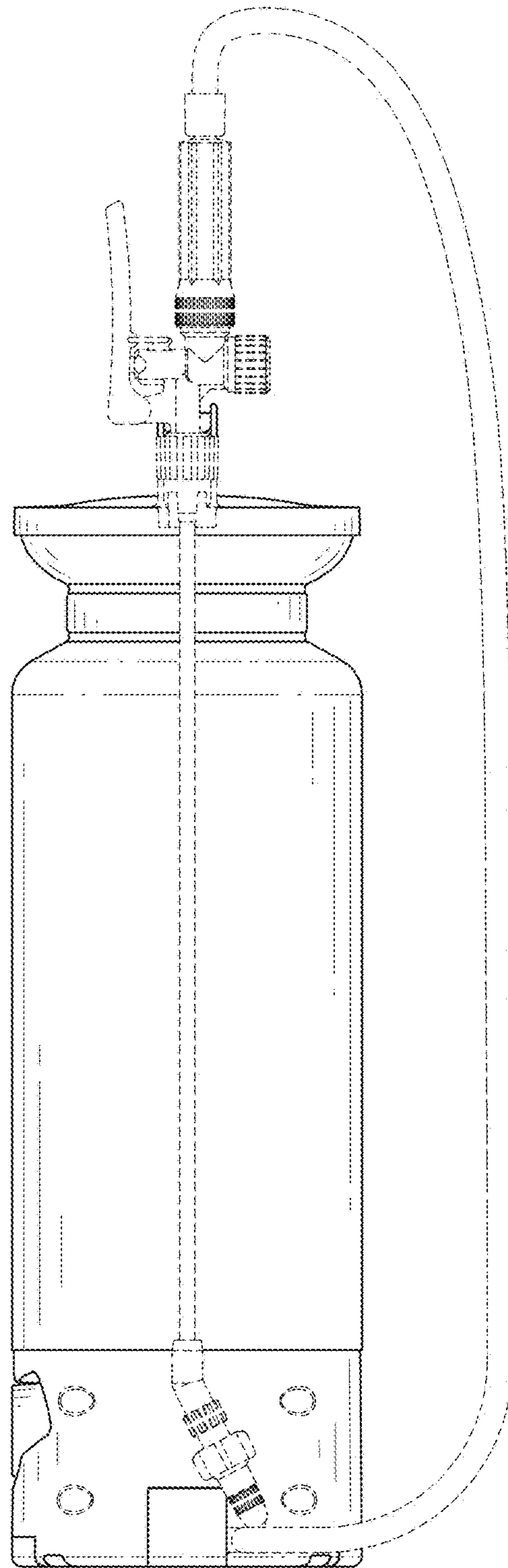


FIG. 5

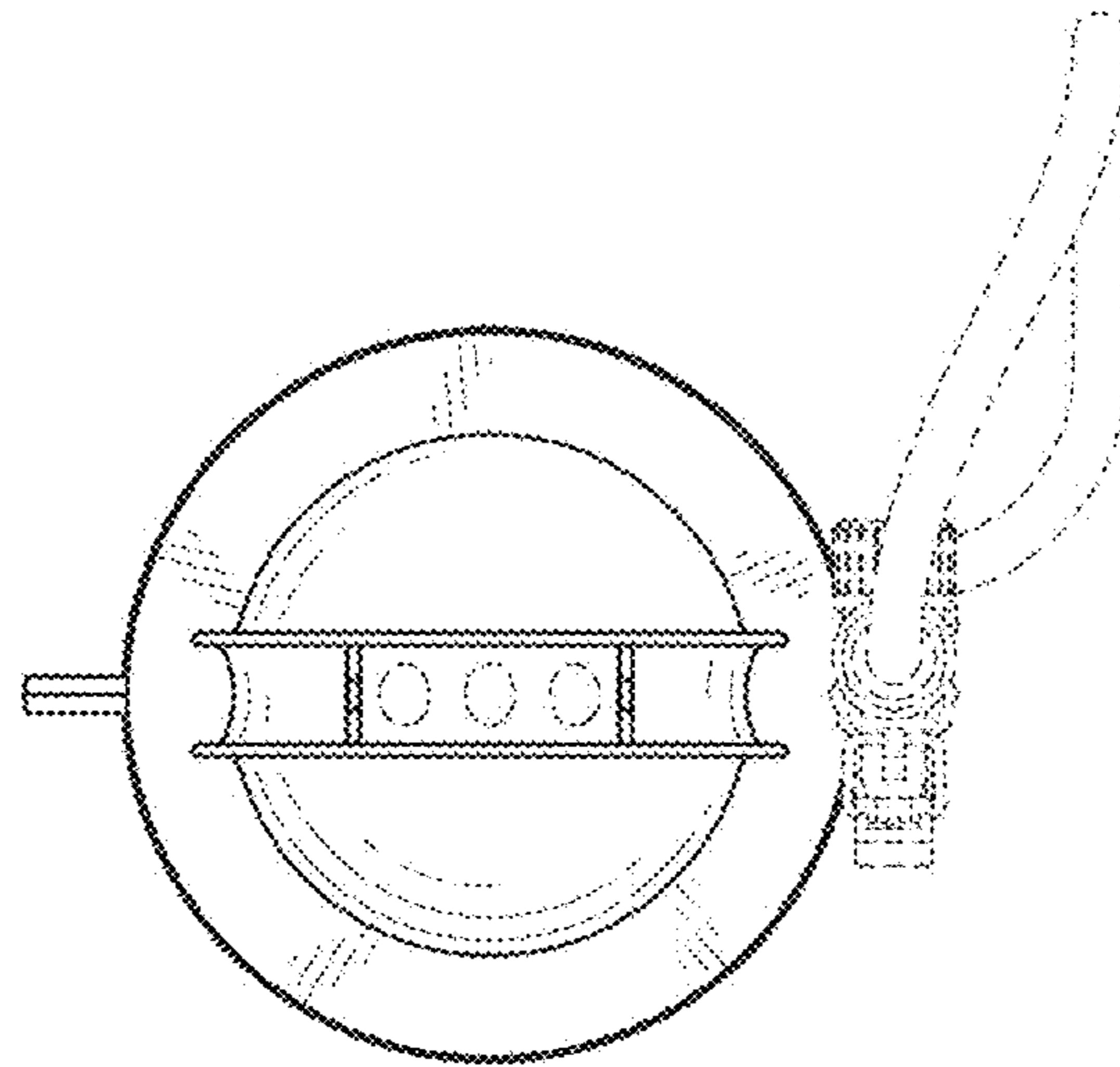


FIG. 6

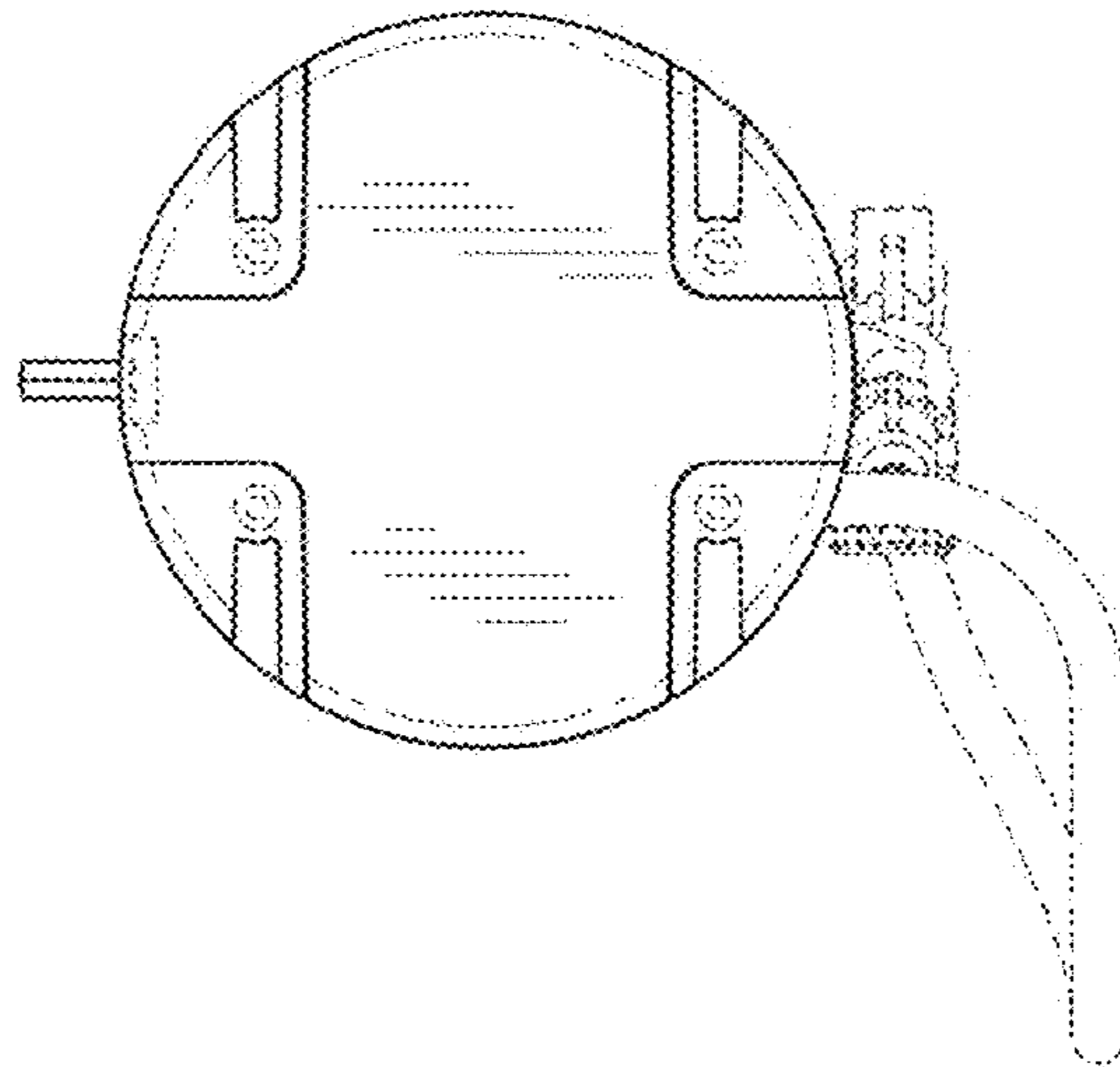


FIG. 7