



US00D846071S

(12) **United States Design Patent**
Pease et al.

(10) **Patent No.:** **US D846,071 S**
(45) **Date of Patent:** **** Apr. 16, 2019**

(54) **NOZZLE**
(71) Applicant: **Fiskars Finland Oy Ab**, Helsinki (FI)
(72) Inventors: **Daniel M. Pease**, Middleton, WI (US);
Jean Mauricio Uruena Montoya,
Madison, WI (US); **Nicholas J. Vallo**,
Madison, WI (US)
(73) Assignee: **Fiskars Finland Oy Ab**, Helsinki (FI)

5,364,135 A 11/1994 Anderson
5,806,770 A 9/1998 Wang
D472,959 S 4/2003 Alkalay et al.
6,602,085 B2 8/2003 Young et al.
7,124,965 B1 * 10/2006 Chen A62C 31/02
239/525
7,258,285 B1 * 8/2007 Combs A62C 31/03
239/436
D603,940 S 11/2009 Jerabek et al.
(Continued)

(**) Term: **15 Years**

(21) Appl. No.: **29/612,774**

(22) Filed: **Aug. 3, 2017**

(51) **LOC (11) Cl.** **23-01**

(52) **U.S. Cl.**
USPC **D23/213**

(58) **Field of Classification Search**
USPC D23/213, 223, 226; D8/2; 239/532
CPC B05B 15/061; B05B 1/00; B05B 5/00;
B05B 1/005; B05B 3/00; B05B 9/01;
B05B 7/1209
See application file for complete search history.

(56) **References Cited**

U.S. PATENT DOCUMENTS

646,590 A 4/1900 Williams
1,148,630 A 8/1915 Schmidt
2,364,905 A 12/1944 Lewis
2,376,881 A * 5/1945 Nielsen A62C 31/02
239/441
2,813,730 A 11/1957 Courtot
2,814,862 A 12/1957 Heckethorn
2,985,384 A 5/1961 Martin
3,150,829 A * 9/1964 Specht A62C 31/02
239/107
3,162,470 A 12/1964 Davidson et al.
D296,579 S 7/1988 Hattori
D329,891 S 9/1992 Sievers
5,192,219 A 3/1993 Fowler et al.

OTHER PUBLICATIONS

U.S. Appl. No. 29/600,627, filed Apr. 13, 2017, Fiskars Oyj Abp.
(Continued)

Primary Examiner — Robin V Webster
(74) *Attorney, Agent, or Firm* — Foley & Lardner LLP

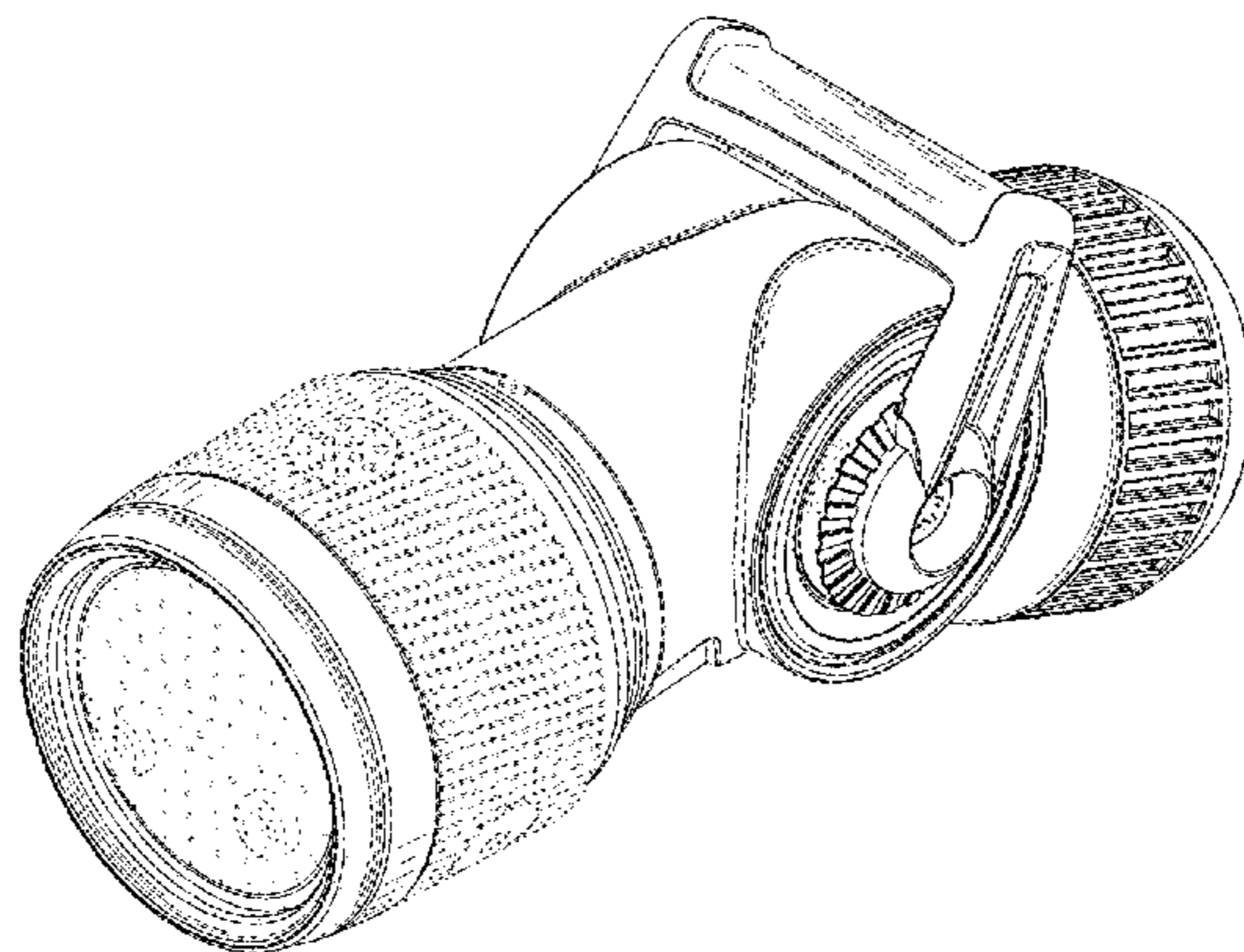
(57) **CLAIM**

We claim the ornamental design for a nozzle, as shown and described.

DESCRIPTION

FIG. 1 is a top perspective view of the claimed design;
FIG. 2 is front view thereof;
FIG. 3 is a rear view thereof;
FIG. 4 is a left side view thereof;
FIG. 5 is a right side view thereof;
FIG. 6 is a top view thereof;
FIG. 7 is a bottom view thereof; and,
FIG. 8 is a bottom perspective view thereof.
Any portion of the article depicted in broken lines forms no part of the claimed design. Broken lines formed by equal length dashes show unclaimed subject matter. Broken lines formed of unequal length dashes (i.e., dash-dot) show boundaries between claimed and unclaimed portions of the design. Broken lines having a jagged element show that no particular length of the portion is claimed.

1 Claim, 5 Drawing Sheets



(56)

References Cited

U.S. PATENT DOCUMENTS

D604,389 S 11/2009 Cheng
 D604,390 S 11/2009 Cheng
 D615,615 S 5/2010 Cheng
 D619,208 S 7/2010 Jian et al.
 D650,042 S 12/2011 Nies et al.
 D650,044 S 12/2011 Nies et al.
 D650,045 S 12/2011 Nies
 D678,980 S 3/2013 Nies et al.
 D702,319 S 4/2014 Mammen
 D712,512 S 9/2014 Mammen et al.
 D714,422 S 9/2014 Mammen et al.
 D714,423 S 9/2014 Mammen et al.
 D714,908 S 10/2014 Mammen et al.
 D736,350 S 8/2015 Cheng
 D746,946 S 1/2016 Naslund
 D746,947 S 1/2016 Naslund
 D748,758 S 2/2016 Duong
 9,559,458 B2 1/2017 Zhang et al.
 D779,041 S 2/2017 Chen
 D782,005 S 3/2017 Naslund et al.
 D782,007 S 3/2017 Naslund
 D782,008 S 3/2017 Naslund et al.

D783,125 S 4/2017 Chen
 D792,947 S 7/2017 Hung
 D799,001 S * 10/2017 Gooden A62C 31/02
 D23/213
 D799,002 S * 10/2017 Gooden A62C 31/02
 D23/213
 D802,092 S 11/2017 Naslund et al.
 D808,499 S 1/2018 Naslund et al.

OTHER PUBLICATIONS

U.S. Appl. No. 29/600,628, filed Apr. 13, 2017, Fiskars Oyj Abp.
 U.S. Appl. No. 29/600,631, filed Apr. 13, 2017, Fiskars Oyj Abp.
 U.S. Appl. No. 29/600,632, filed Apr. 13, 2017, Fiskars Oyj Abp.
 U.S. Appl. No. 29/600,633, filed Apr. 13, 2017, Fiskars Oyj Abp.
 U.S. Appl. No. 29/600,634, filed Apr. 13, 2017, Fiskars Oyj Abp.
 U.S. Appl. No. 29/612,769, filed Aug. 3, 2017, Fiskars Finland Oy
 Ab.
 U.S. Appl. No. 29/612,771, filed Aug. 3, 2017, Fiskars Finland Oy
 Ab.
 U.S. Appl. No. 29/612,773, filed Aug. 3, 2017, Fiskars Finland Oy
 Ab.

* cited by examiner

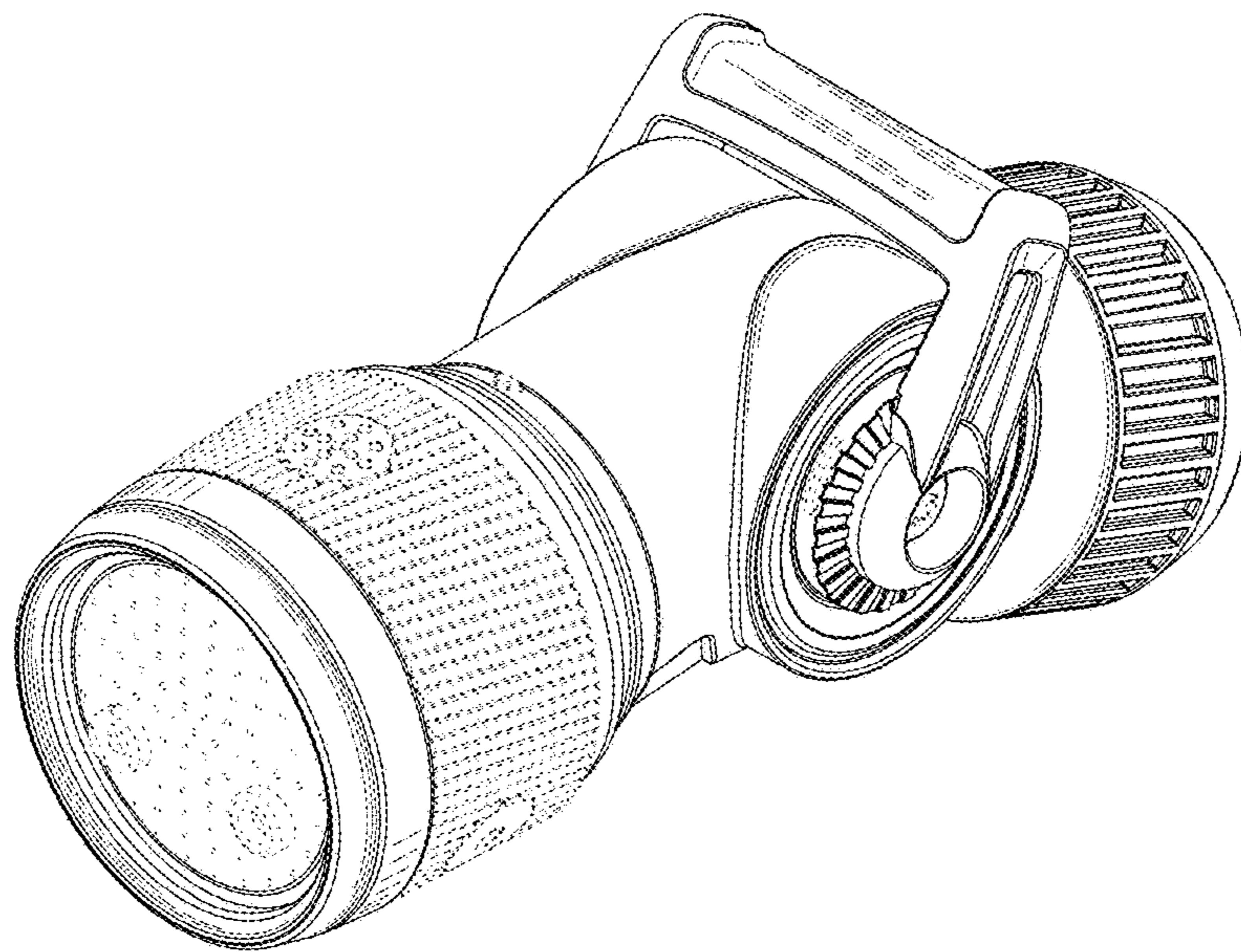


FIG. 1

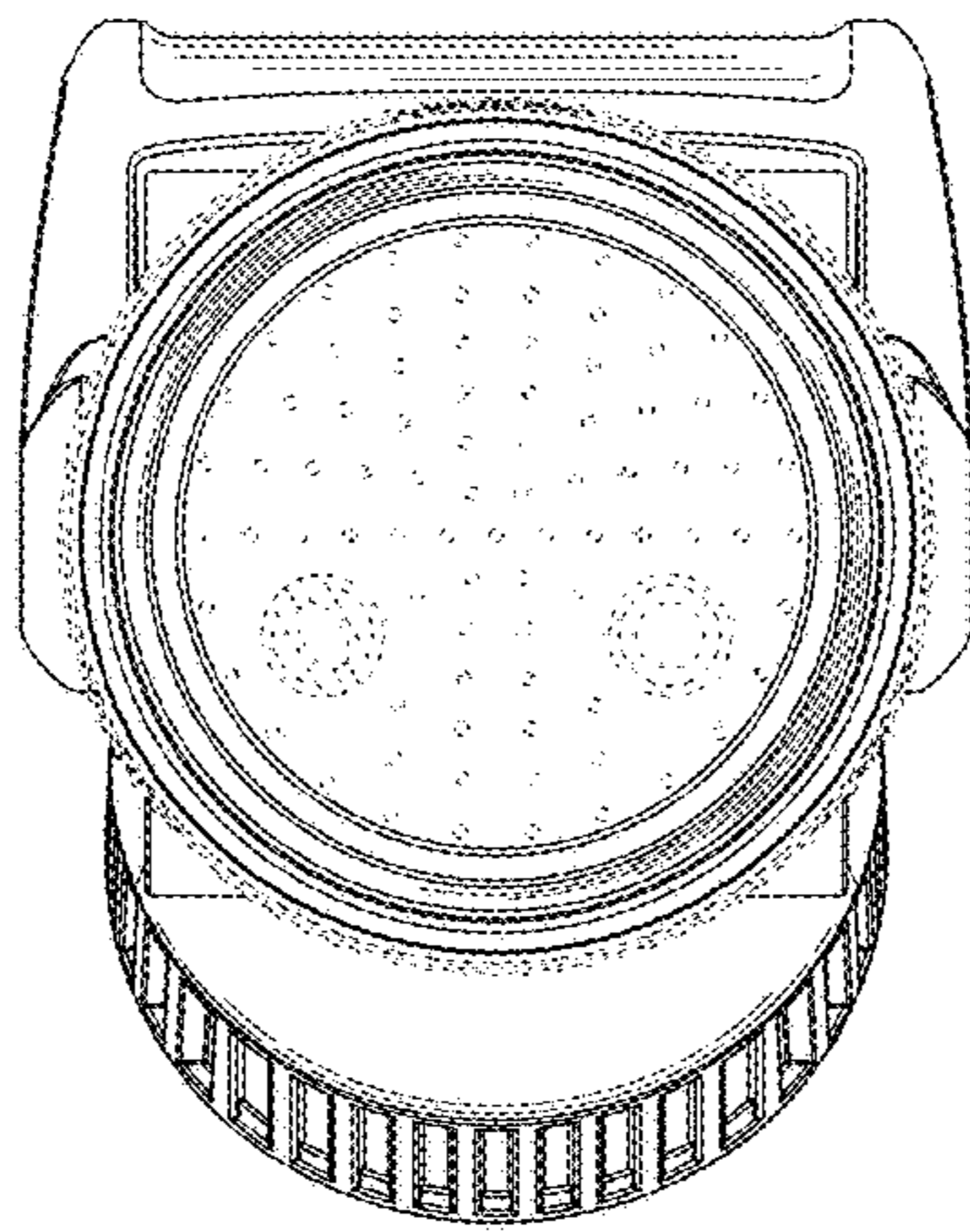


FIG. 2

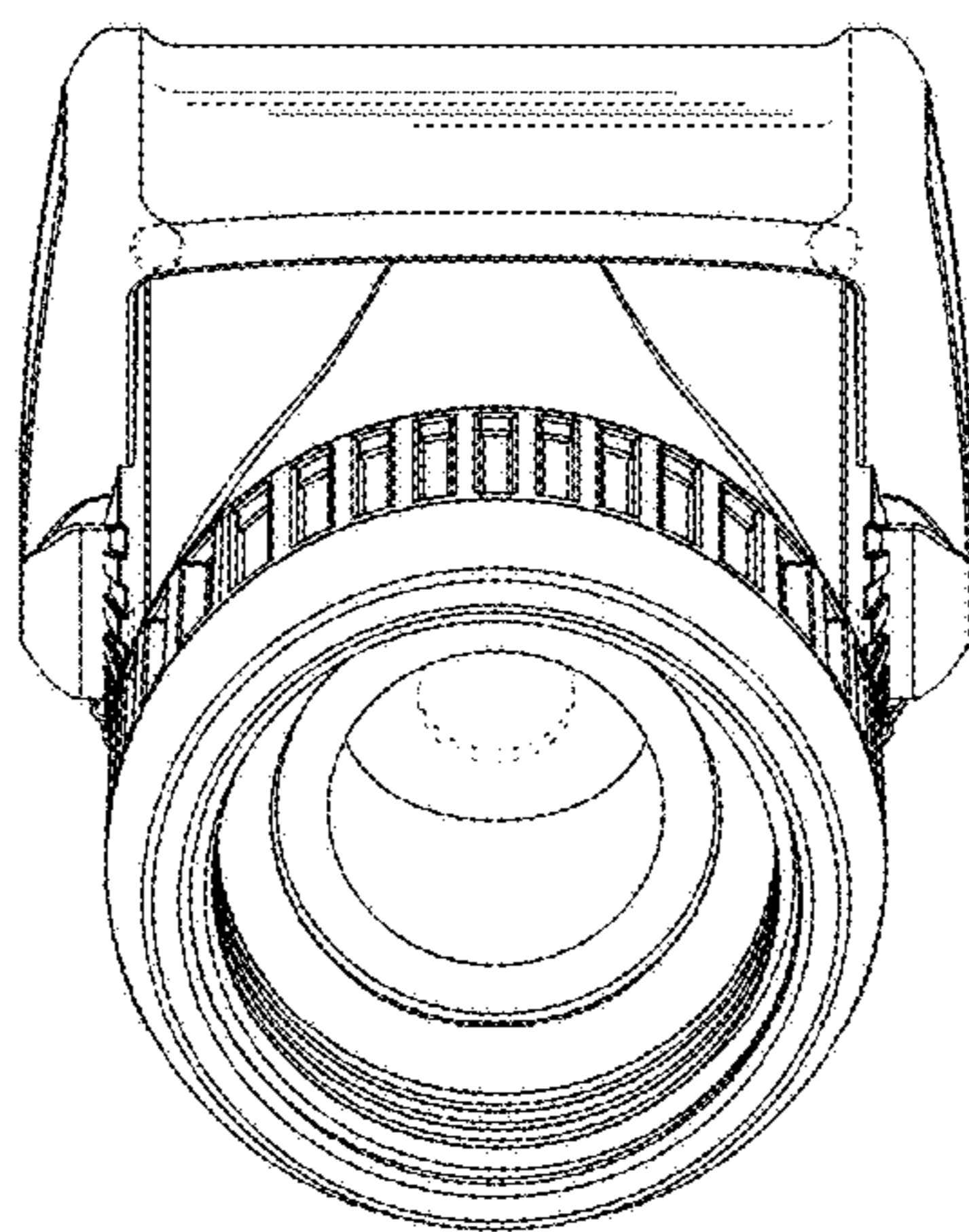


FIG. 3

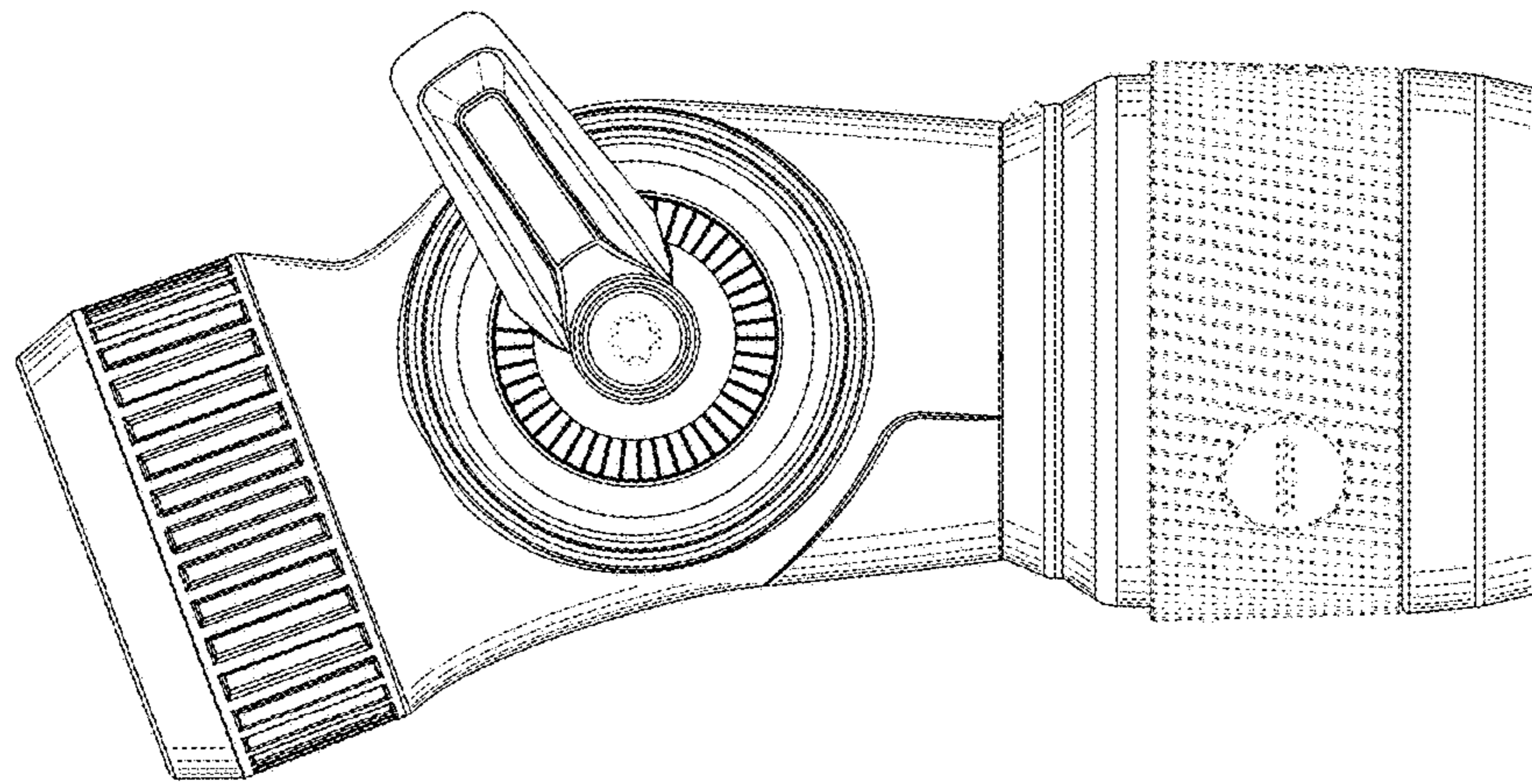


FIG. 4

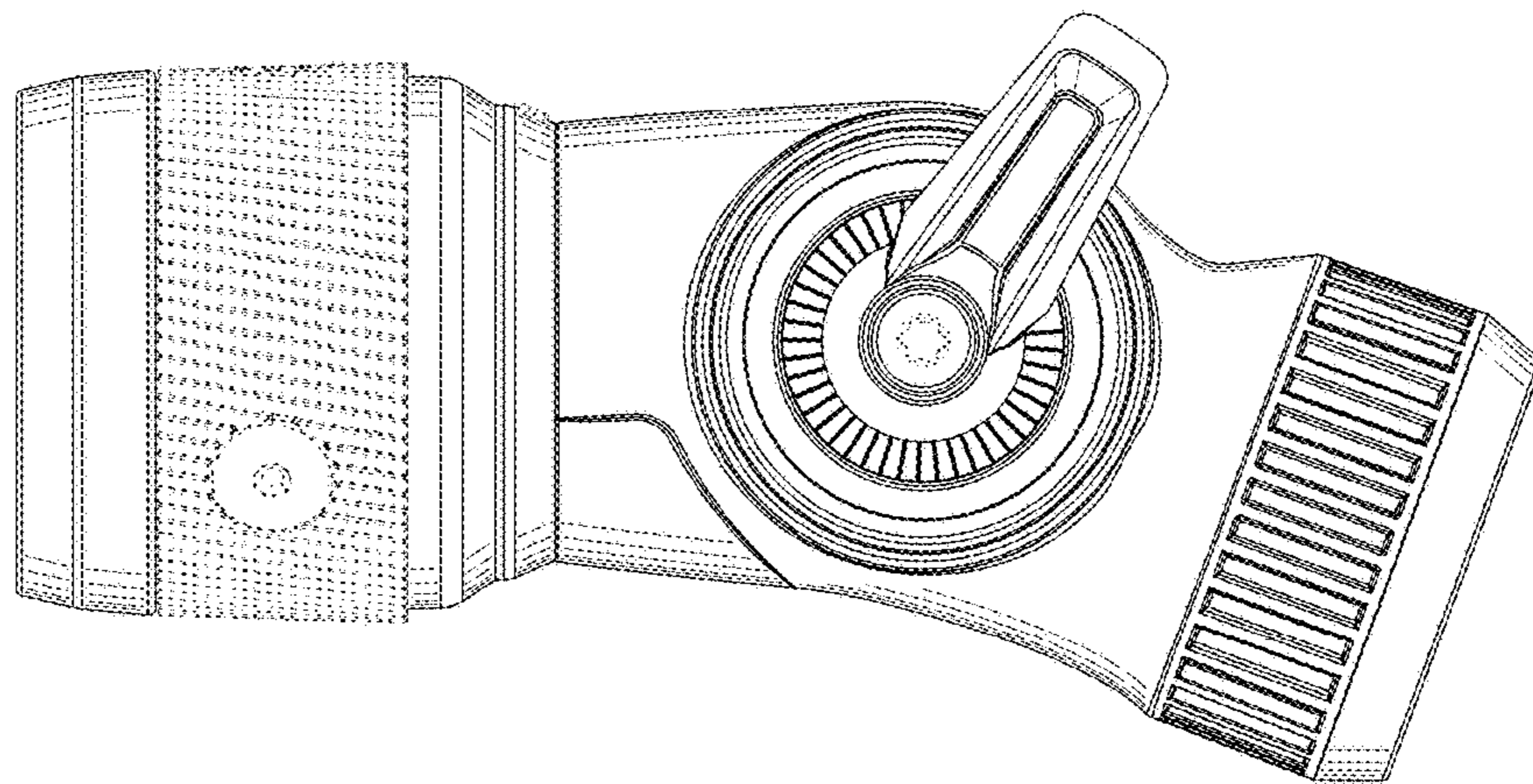


FIG. 5

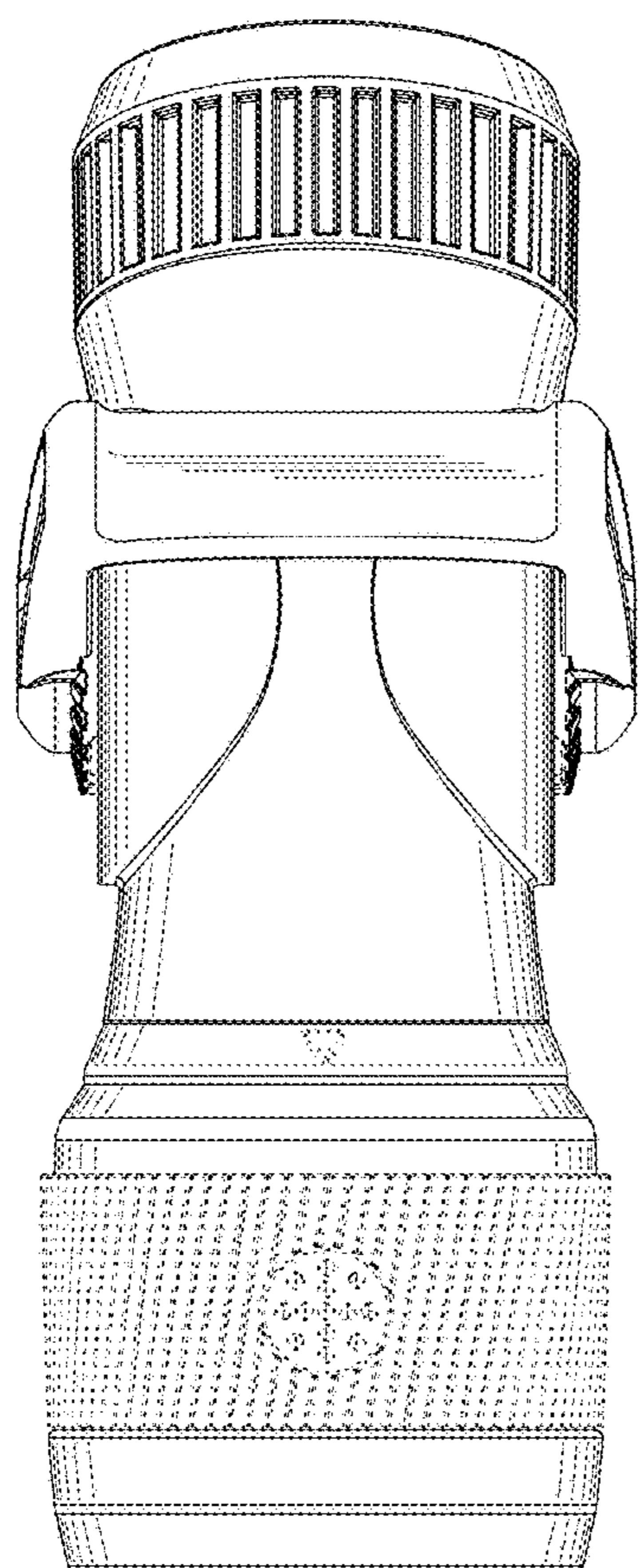


FIG. 6

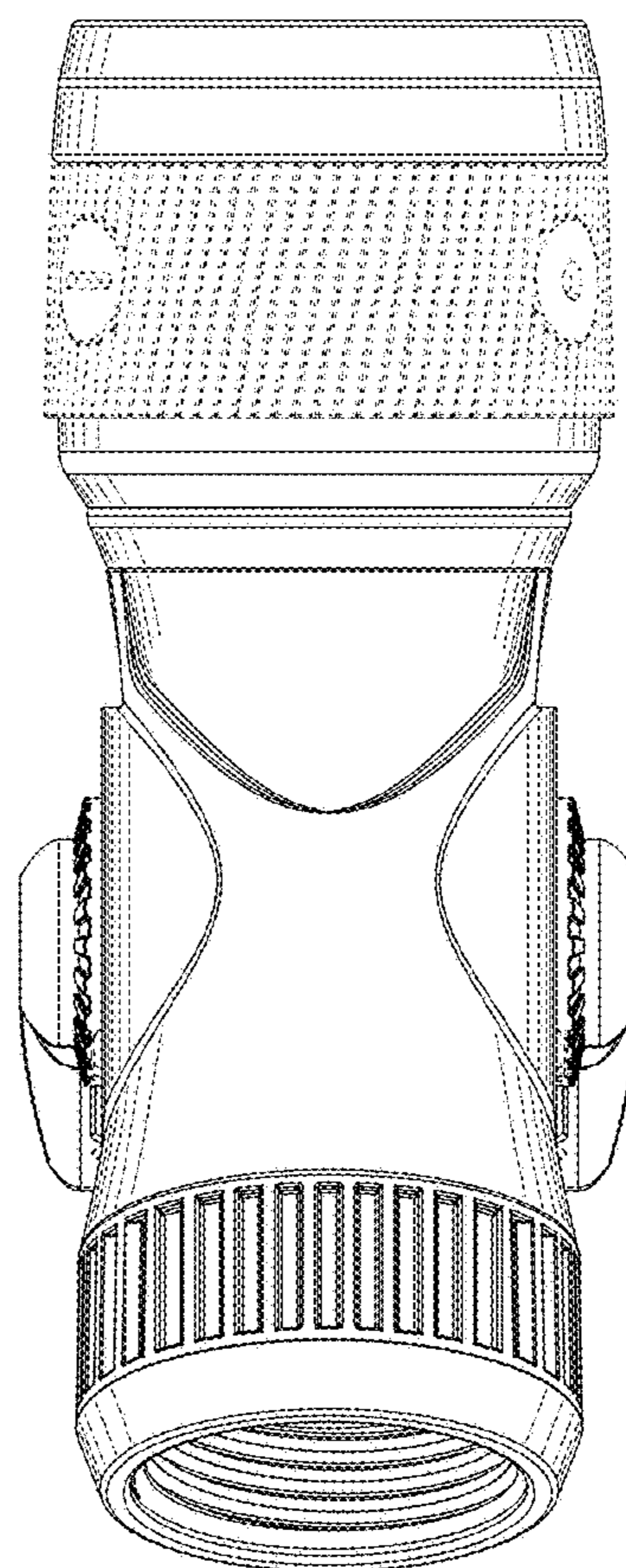


FIG. 7

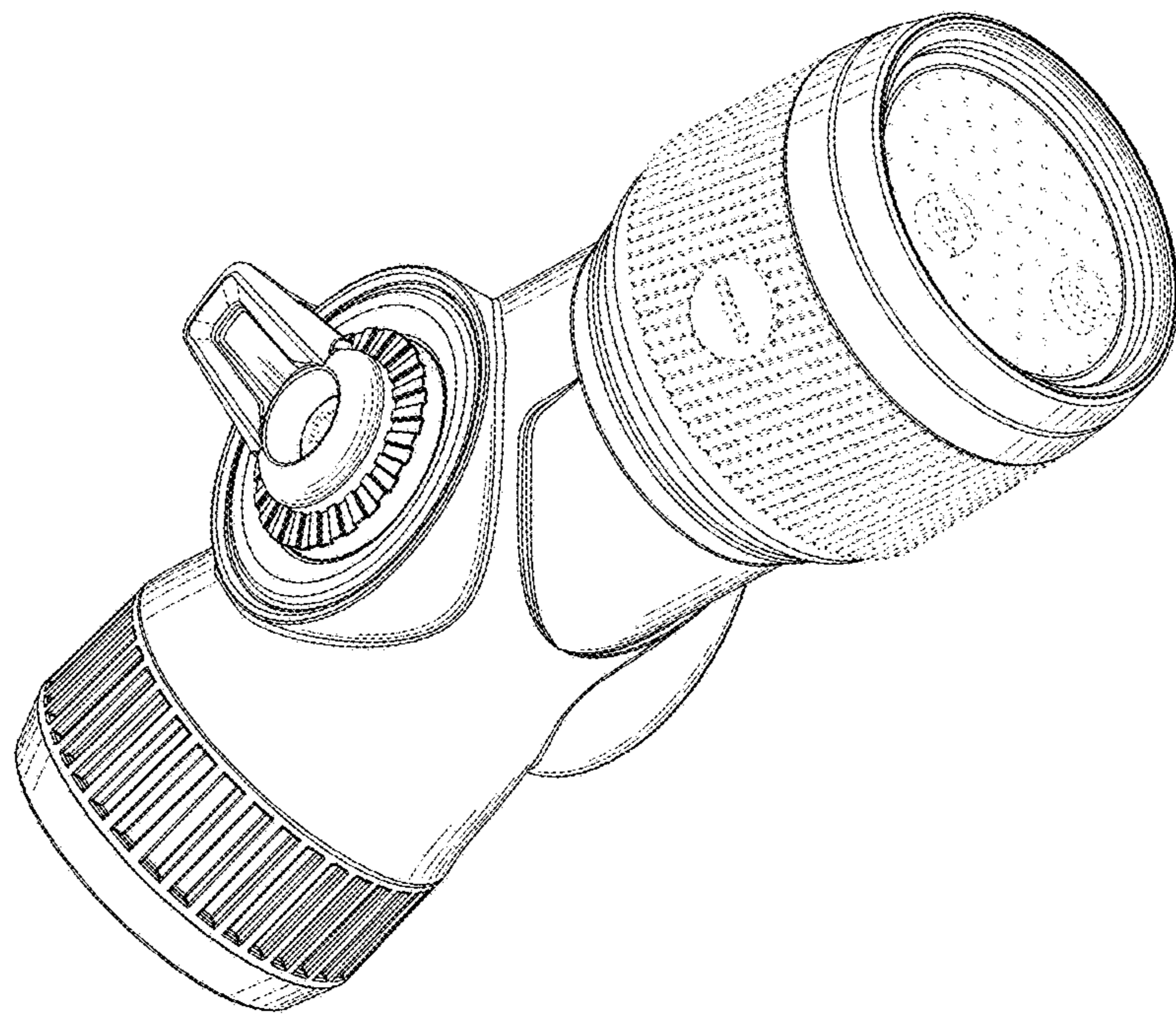


FIG. 8