



US00D846069S

(12) **United States Design Patent**
Zou

(10) **Patent No.:** **US D846,069 S**
(45) **Date of Patent:** **** Apr. 16, 2019**

- (54) **WATER FILTER**
- (71) Applicant: **Qingdao Ecopure Filter Co., Ltd.**,
Jimo, Qingdao (CN)
- (72) Inventor: **Zhibin Zou**, Qingdao (CN)
- (73) Assignee: **QINGDAO ECOPURE FILTER CO., LTD.**, Jimo, Qingdao (CN)
- (**) Term: **15 Years**
- (21) Appl. No.: **29/625,485**
- (22) Filed: **Nov. 9, 2017**
- (51) **LOC (11) Cl.** **23-01**
- (52) **U.S. Cl.**
USPC **D23/209**
- (58) **Field of Classification Search**
USPC D23/200, 207, 209; 210/497.01
CPC B01D 35/30; B01D 35/153; B01D 35/306;
B01D 2201/30; B01D 2201/29; B01D
24/10; B01D 36/02; B01D 29/035; B01D
29/0009; C02F 1/002; C02F 1/003
See application file for complete search history.

- D529,127 S * 9/2006 Cueman C02F 1/003
D23/209
- D579,515 S * 10/2008 Bell C02F 1/003
D23/209
- D614,259 S * 4/2010 Reid D23/209
- D618,761 S * 6/2010 Reid D23/209
- D647,594 S * 10/2011 Bridges D23/209
- 8,043,502 B2 * 10/2011 Nauta C02F 1/003
210/232
- 8,562,831 B2 * 10/2013 Bors B01D 35/306
210/232
- 9,132,369 B2 * 9/2015 Bell B01D 35/30
- D794,751 S * 8/2017 Zou D23/209
- 10,011,499 B2 * 7/2018 Mayo C02F 1/003

* cited by examiner

Primary Examiner — Robin V Webster

(74) *Attorney, Agent, or Firm* — Muncy, Geissler, Olds & Lowe, P.C.

(57) **CLAIM**

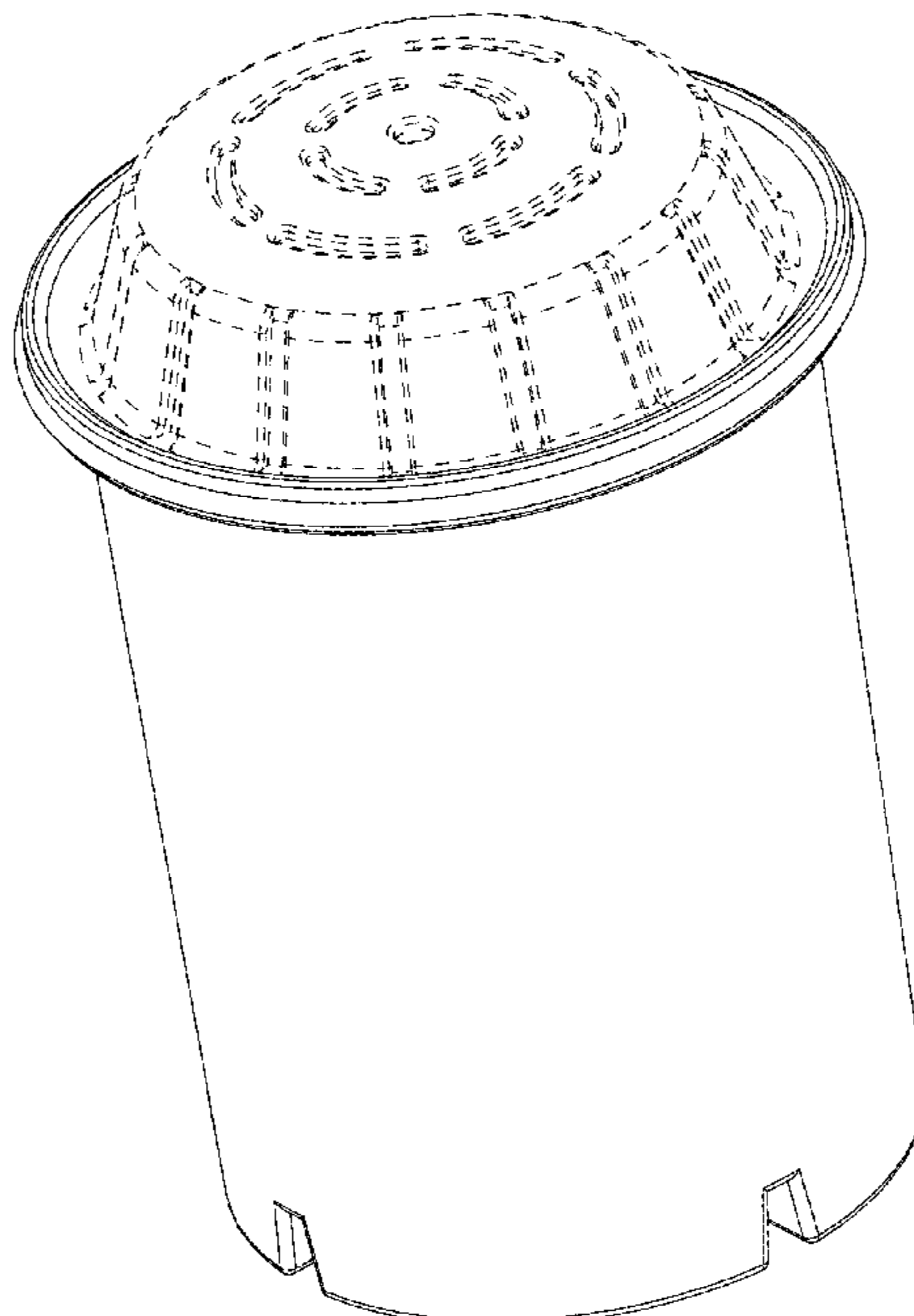
The ornamental design for a water filter, as shown and described.

DESCRIPTION

FIG. 1 is a Front elevational view of a water filter showing my new design;
 FIG. 2 is a Rear elevational view thereof;
 FIG. 3 is a Left side view thereof;
 FIG. 4 is a Right side view thereof;
 FIG. 5 is a Top plan view thereof;
 FIG. 6 is a Bottom plan view thereof;
 FIG. 7 is a top Perspective view thereof; and,
 FIG. 8 is a bottom Perspective view thereof.
 The broken lines in the drawing depict portions of the water filter that form no part of the claimed design.

1 Claim, 8 Drawing Sheets

- (56) **References Cited**
U.S. PATENT DOCUMENTS
- D380,535 S * 7/1997 Joergensen D23/209
- 5,882,507 A * 3/1999 Tanner C02F 1/003
116/273
- 6,103,114 A * 8/2000 Tanner C02F 1/003
210/232
- D435,084 S * 12/2000 Northen D23/209
- 6,238,552 B1 * 5/2001 Shannon C02F 1/003
210/282



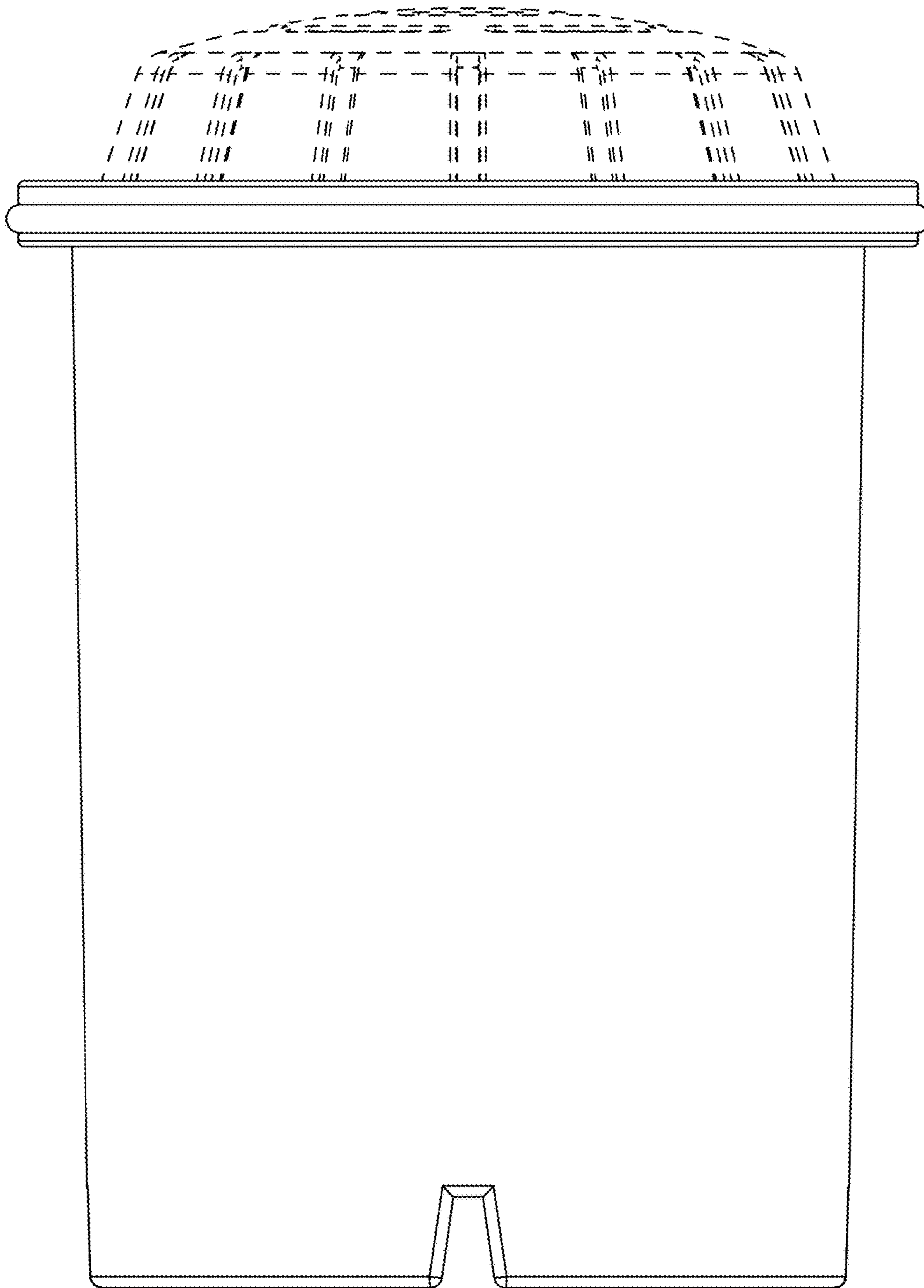


FIG. 1

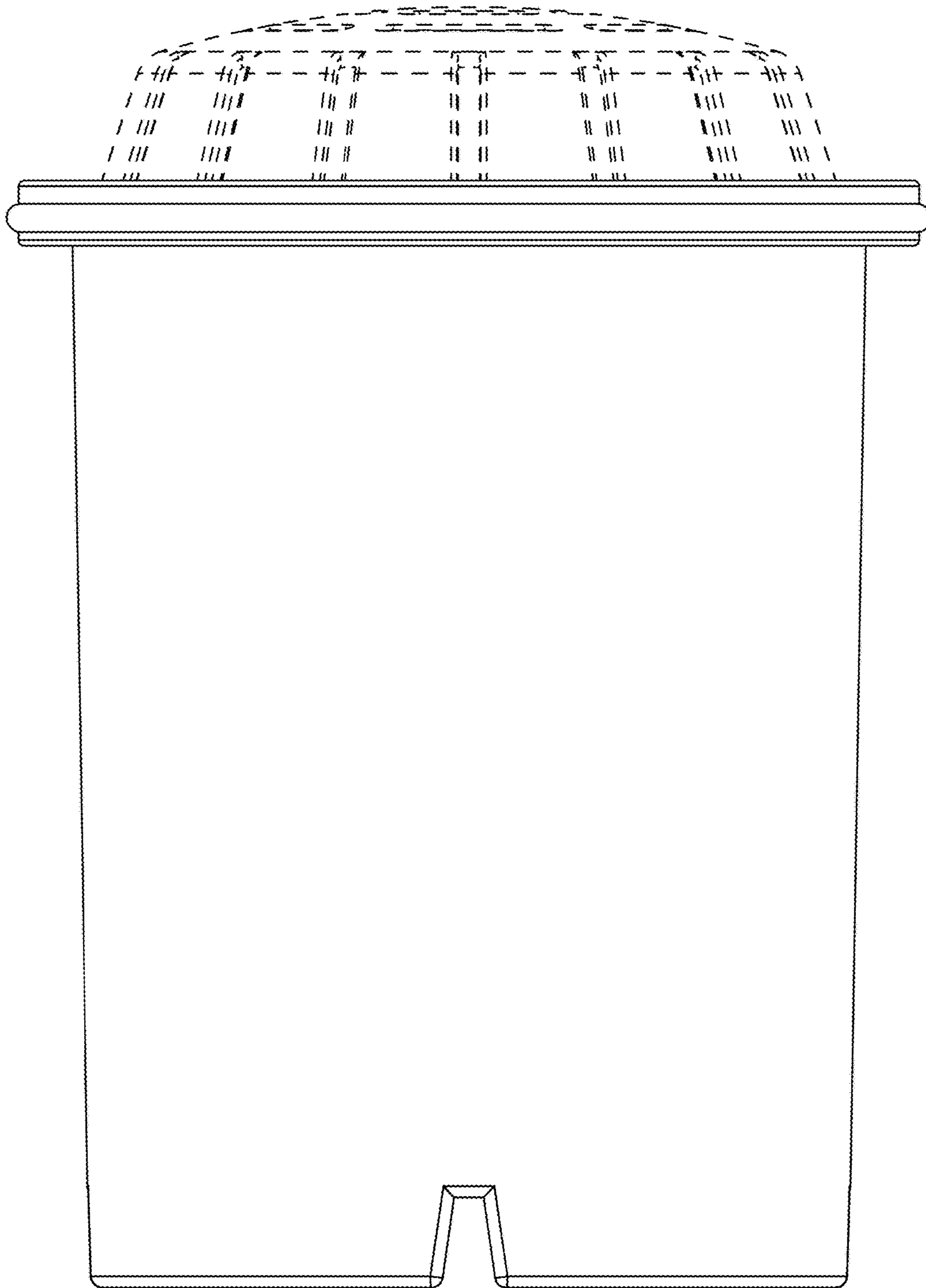


FIG. 2

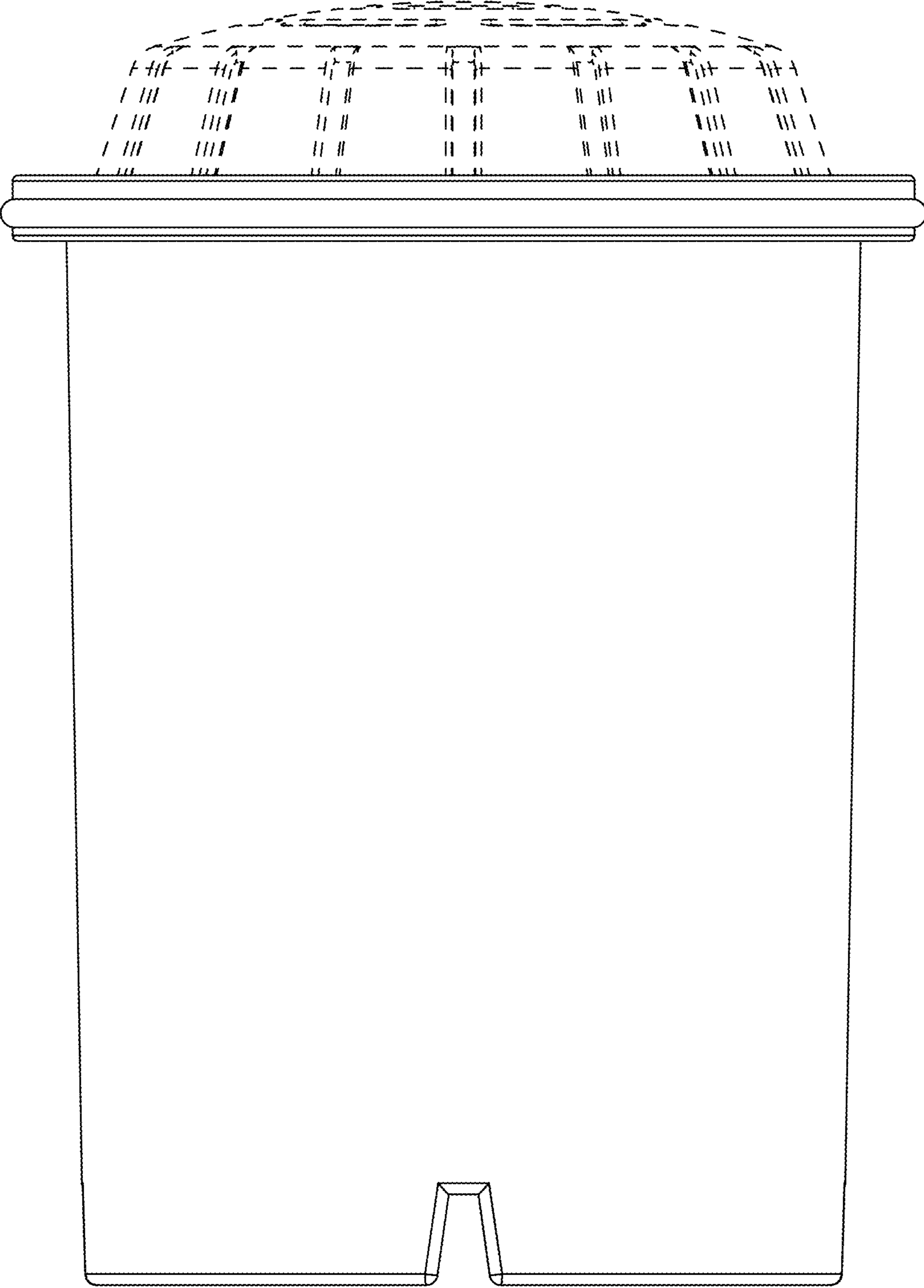


FIG. 3

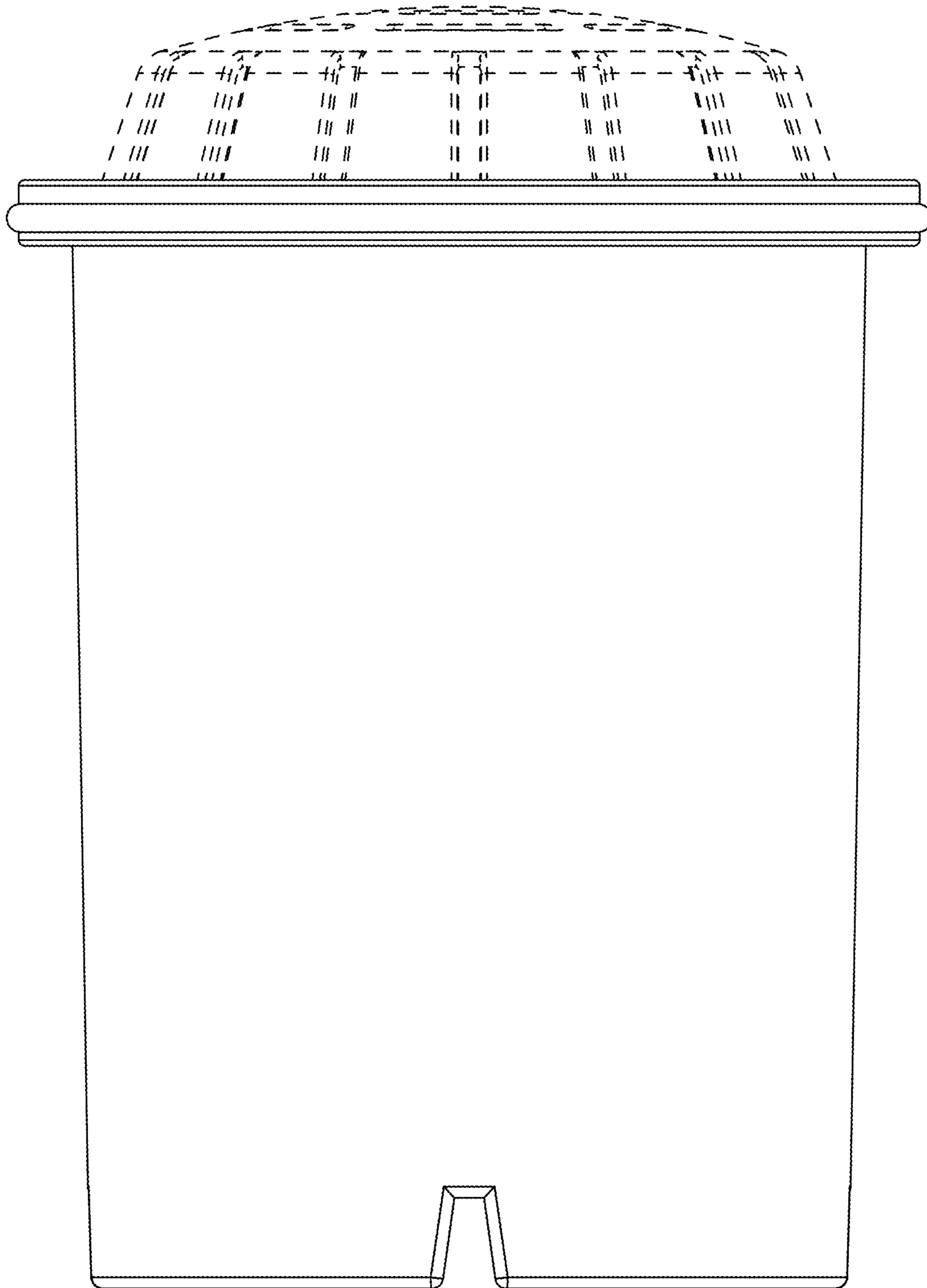


FIG. 4

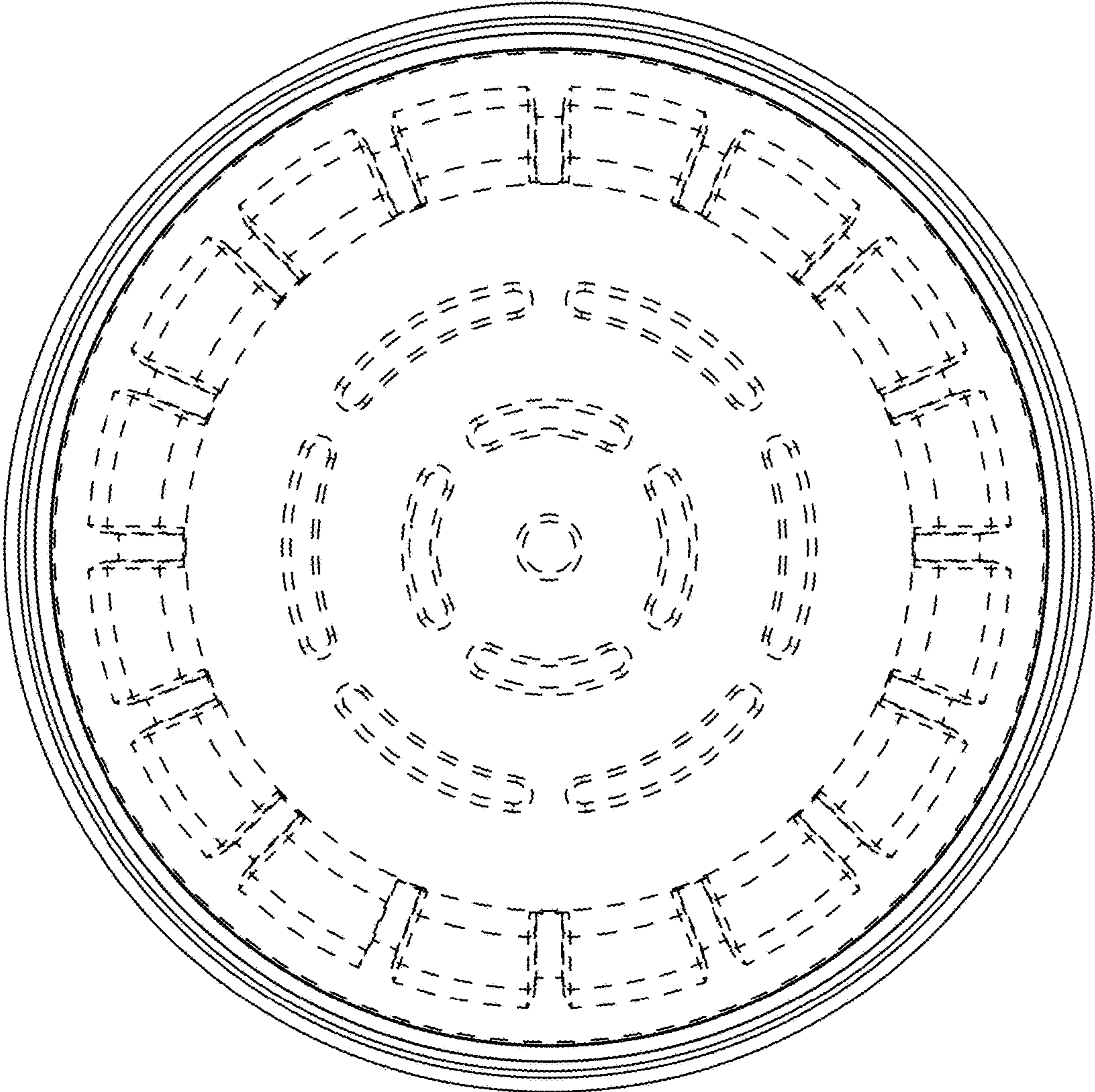


FIG. 5

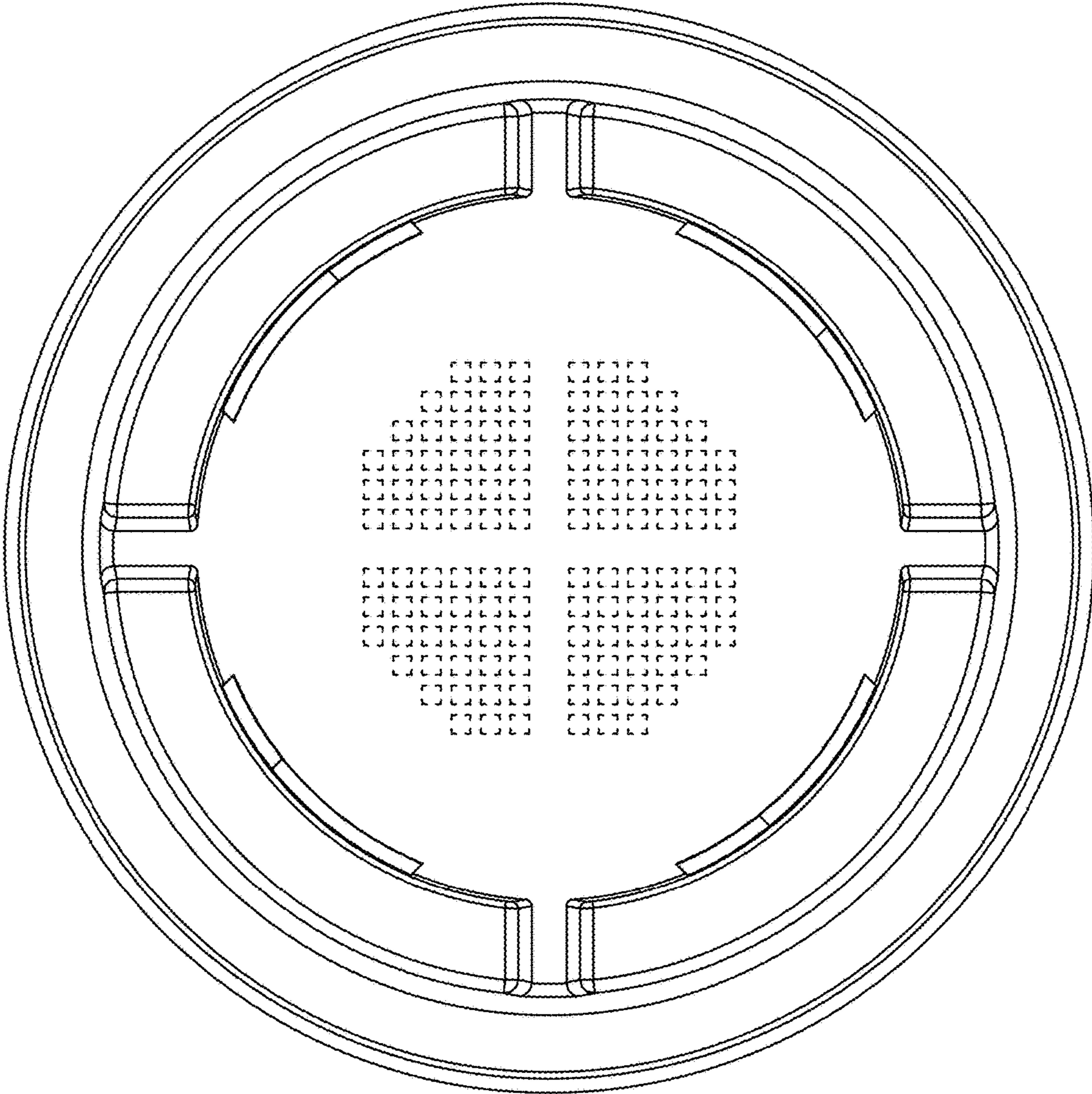


FIG. 6

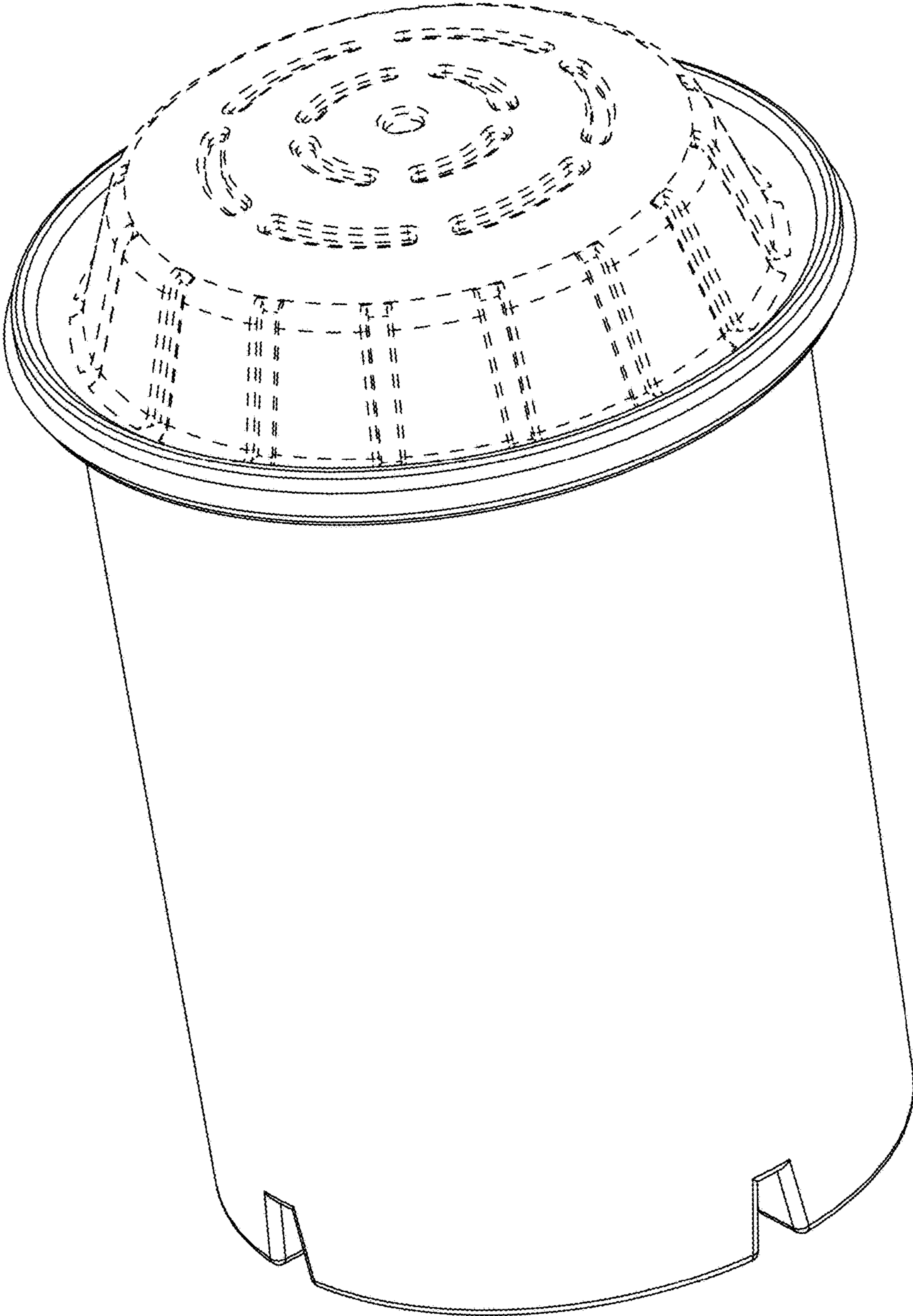


FIG. 7

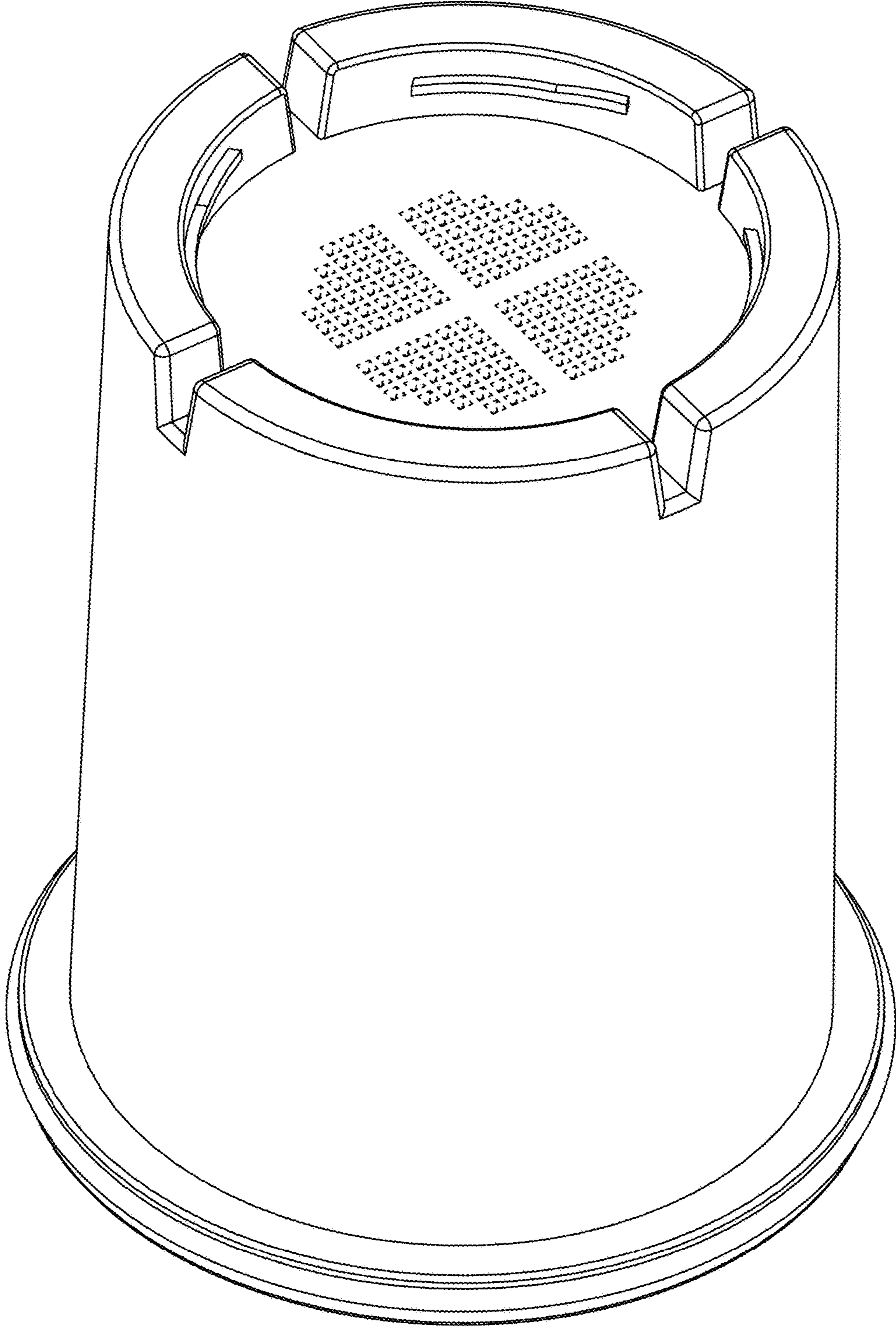


FIG. 8