

US00D846067S

(12) **United States Design Patent** (10) **Patent No.:** **US D846,067 S**  
**Deguchi** (45) **Date of Patent:** **\*\* Apr. 16, 2019**

(54) **FISHING REEL PORTION**

(71) Applicant: **Shimano Inc.**, Sakai, Osaka (JP)

(72) Inventor: **Tomoya Deguchi**, Osaka (JP)

(73) Assignee: **Shimano Inc.**, Osaka (JP)

(\*\*) Term: **15 Years**

(21) Appl. No.: **29/639,050**

(22) Filed: **Mar. 2, 2018**

(30) **Foreign Application Priority Data**

Dec. 20, 2017 (JP) ..... 2017-028363

(51) **LOC (11) Cl.** ..... **22-05**

(52) **U.S. Cl.**  
USPC ..... **D22/141**

(58) **Field of Classification Search**  
USPC ..... D22/137-141; 242/310-312, 316, 323;  
43/19-21

(Continued)

(56) **References Cited**

**U.S. PATENT DOCUMENTS**

D528,185 S 9/2006 Iwabuchi et al.  
D539,377 S \* 3/2007 Kondo ..... D22/141  
(Continued)

*Primary Examiner* — Catherine R Oliver-Garcia

(74) *Attorney, Agent, or Firm* — Global IP Counselors,  
LLP

(57) **CLAIM**

An ornamental design for a fishing reel portion, as shown  
and described.

**DESCRIPTION**

FIG. 1 is a first perspective view of a fishing reel that  
includes a fishing reel portion in accordance with my new  
design;

FIG. 2 is a second perspective view of the fishing reel  
illustrated in FIG. 1 that includes the fishing reel portion;  
FIG. 3 is a right side elevational view of the fishing reel  
illustrated in FIG. 1 that includes the fishing reel portion;  
FIG. 4 is a left side elevational view of the fishing reel  
illustrated in FIG. 1 that includes the fishing reel portion;  
FIG. 5 is a top plan view of the fishing reel illustrated in FIG.  
1 that includes the fishing reel portion;

FIG. 6 is a bottom plan view of the fishing reel illustrated in  
FIG. 1 with the fishing reel portion completely hidden from  
sight;

FIG. 7 is a rear elevational view of the fishing reel illustrated  
in FIG. 1 that includes the fishing reel portion;

FIG. 8 is a front elevational view of the fishing reel  
illustrated in FIG. 1 that includes the fishing reel portion;

FIG. 9 is an enlarged, partial perspective view of a portion  
of the fishing reel illustrated in FIG. 1 that includes the  
fishing reel portion;

FIG. 10 is an enlarged, partial perspective view of a portion  
of the fishing reel illustrated in FIG. 2 that includes the  
fishing reel portion;

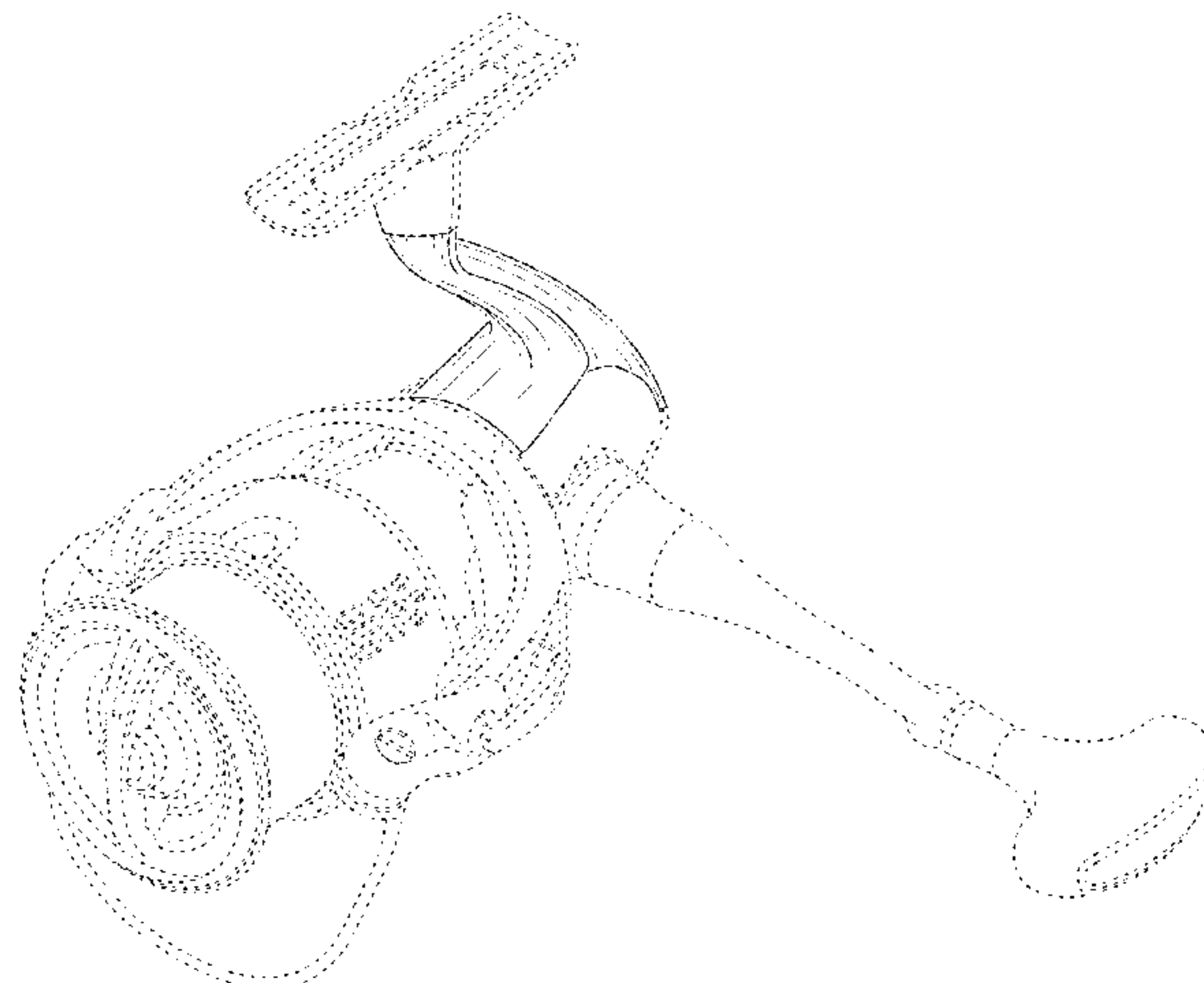
FIG. 11 is an enlarged, partial perspective view, similar to  
FIG. 9 of a portion of the fishing reel illustrated in FIG. 1  
that includes an alternate fishing reel portion, which is  
identical to the fishing reel portion illustrated in FIGS. 1 to  
10, except that a boundary of the alternate fishing reel  
portion is shown in broken lines; and,

FIG. 12 is an enlarged, partial perspective view, similar to  
FIG. 10, of a portion of the fishing reel illustrated in FIG. 2  
that includes the alternate fishing reel portion.

In the alternate fishing reel portion illustrated in FIGS. 11  
and 12, the broken line boundary does not form part of the  
claimed design. In other words, with respect to the alternate  
design of the fishing reel portion illustrated in FIGS. 11 and  
12, it should be understood that the claimed design extends  
to the broken line boundary but does not include the broken  
line boundary shown in broken lines.

In the drawings, the broken line illustration of the environ-  
mental structure (the remaining structure of the fishing reel)  
in the drawings is not part of the claimed design. In other  
words, the broken line portion of the fishing reel does not  
form part of the claimed design.

**1 Claim, 9 Drawing Sheets**



(58) **Field of Classification Search**

CPC ..... A01K 89/00; A01K 89/01121; A01K  
89/0114

See application file for complete search history.

(56) **References Cited**

U.S. PATENT DOCUMENTS

D589,586 S \* 3/2009 Noma ..... D22/141  
D627,418 S 11/2010 Nago  
D650,465 S 12/2011 Asaba

\* cited by examiner

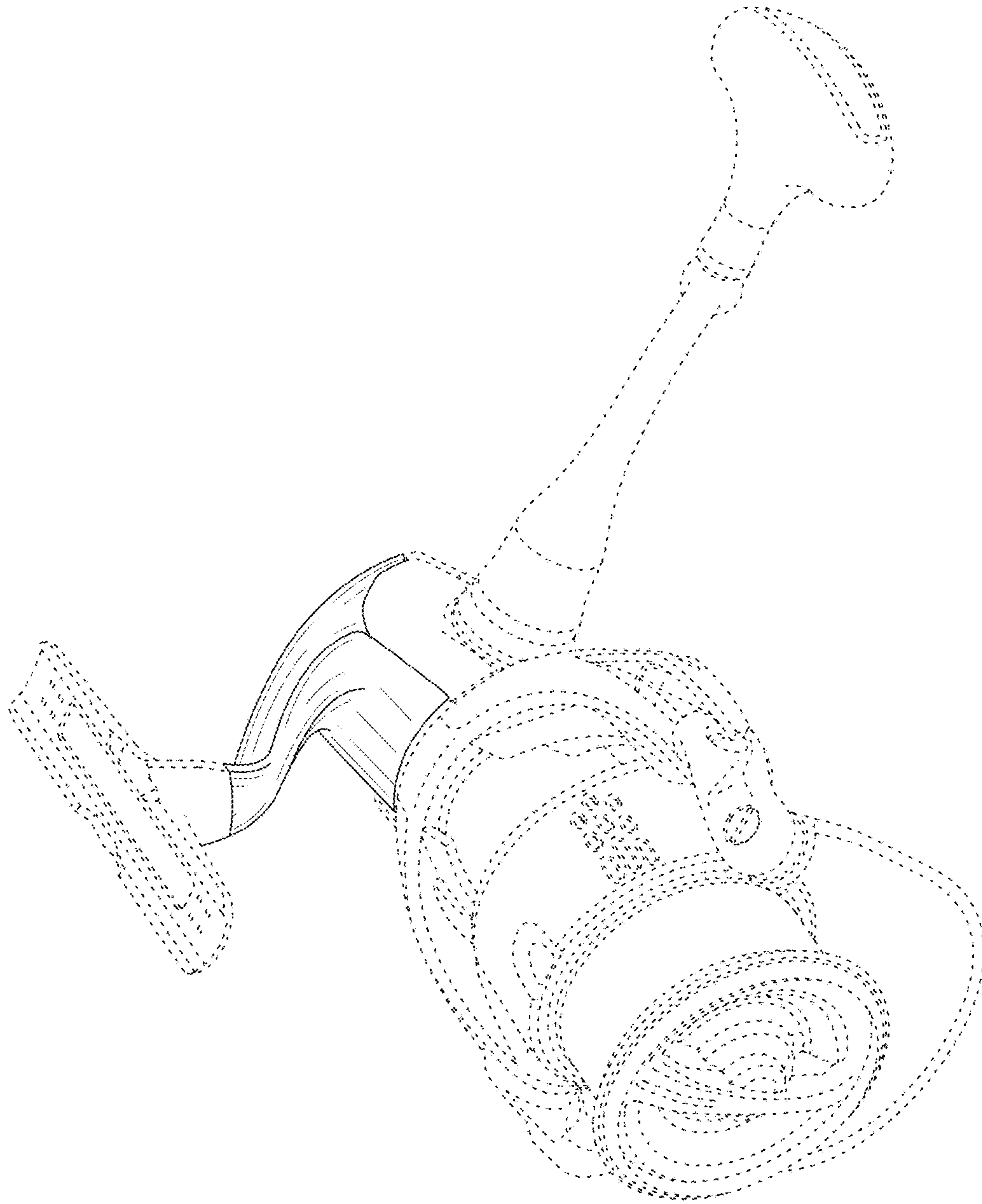


FIG. 1

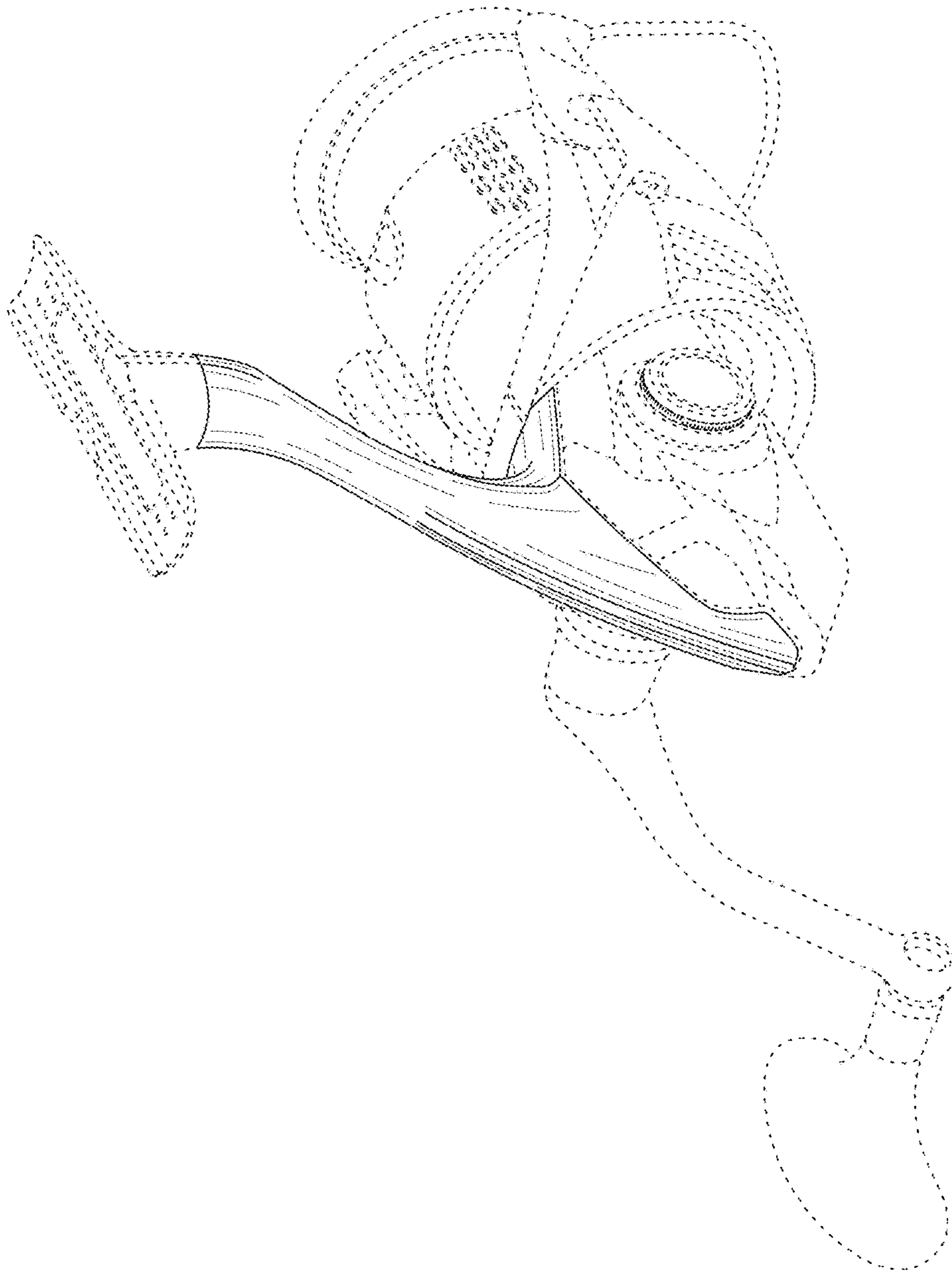


FIG. 2

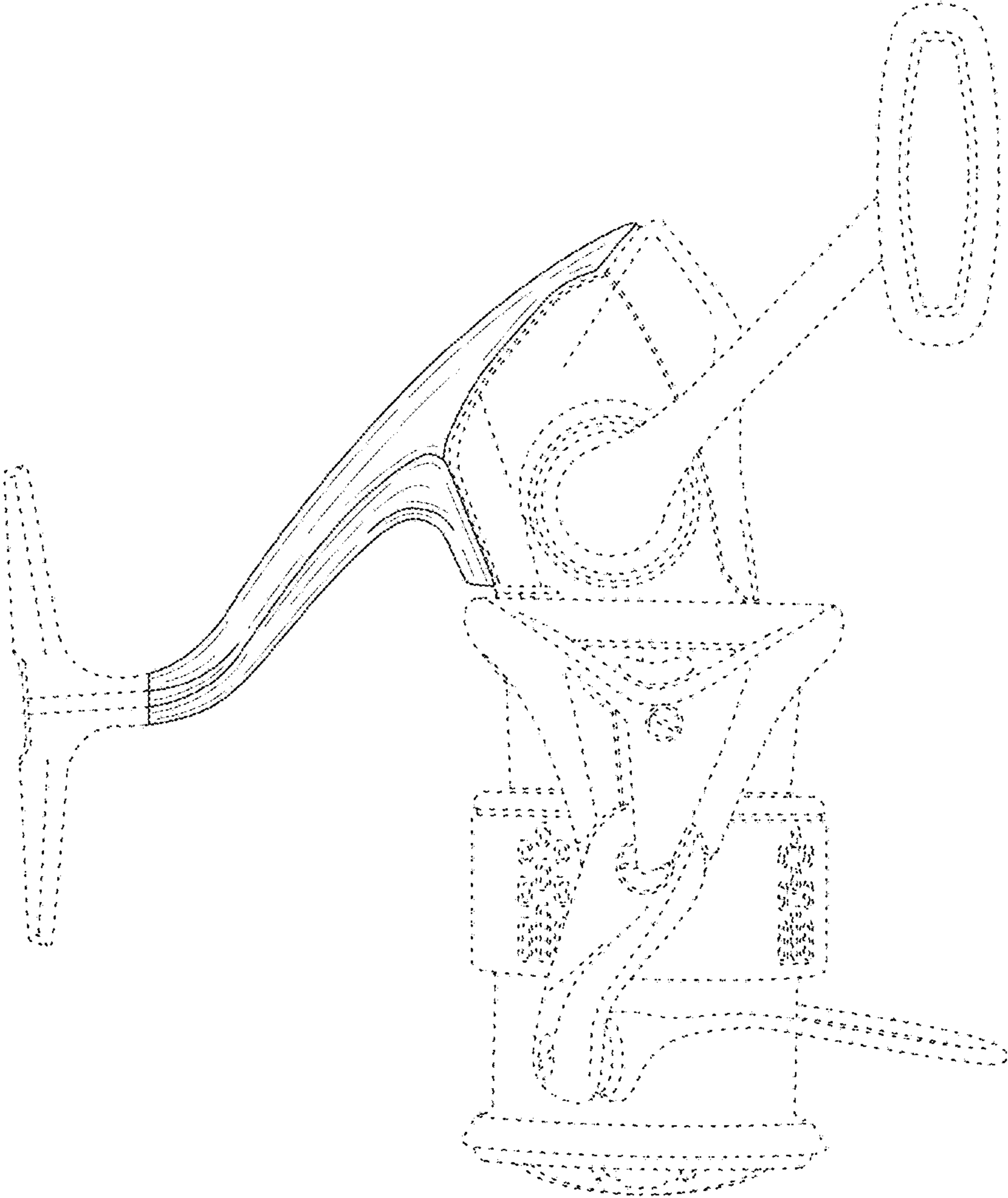


FIG. 3



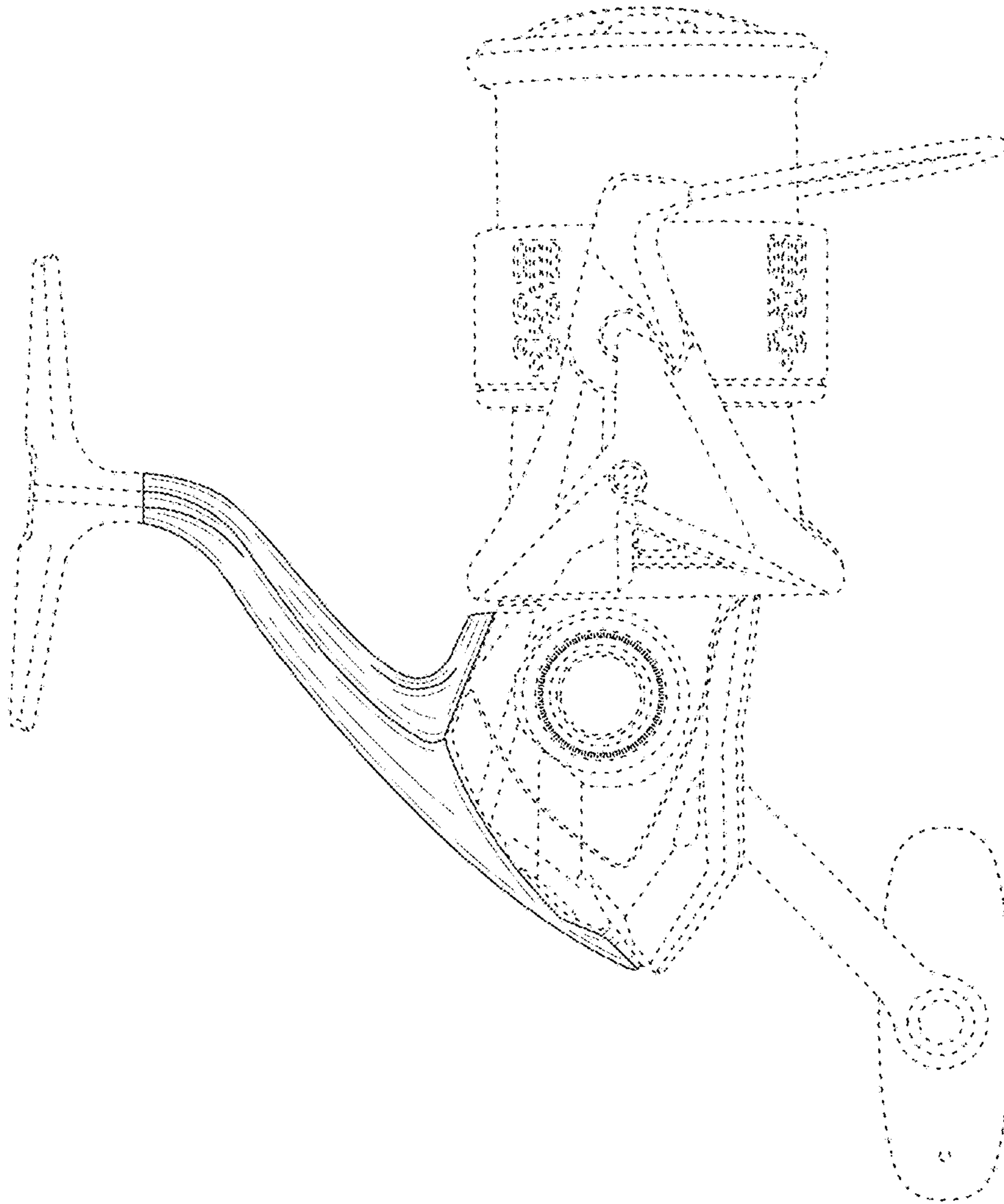


FIG. 4

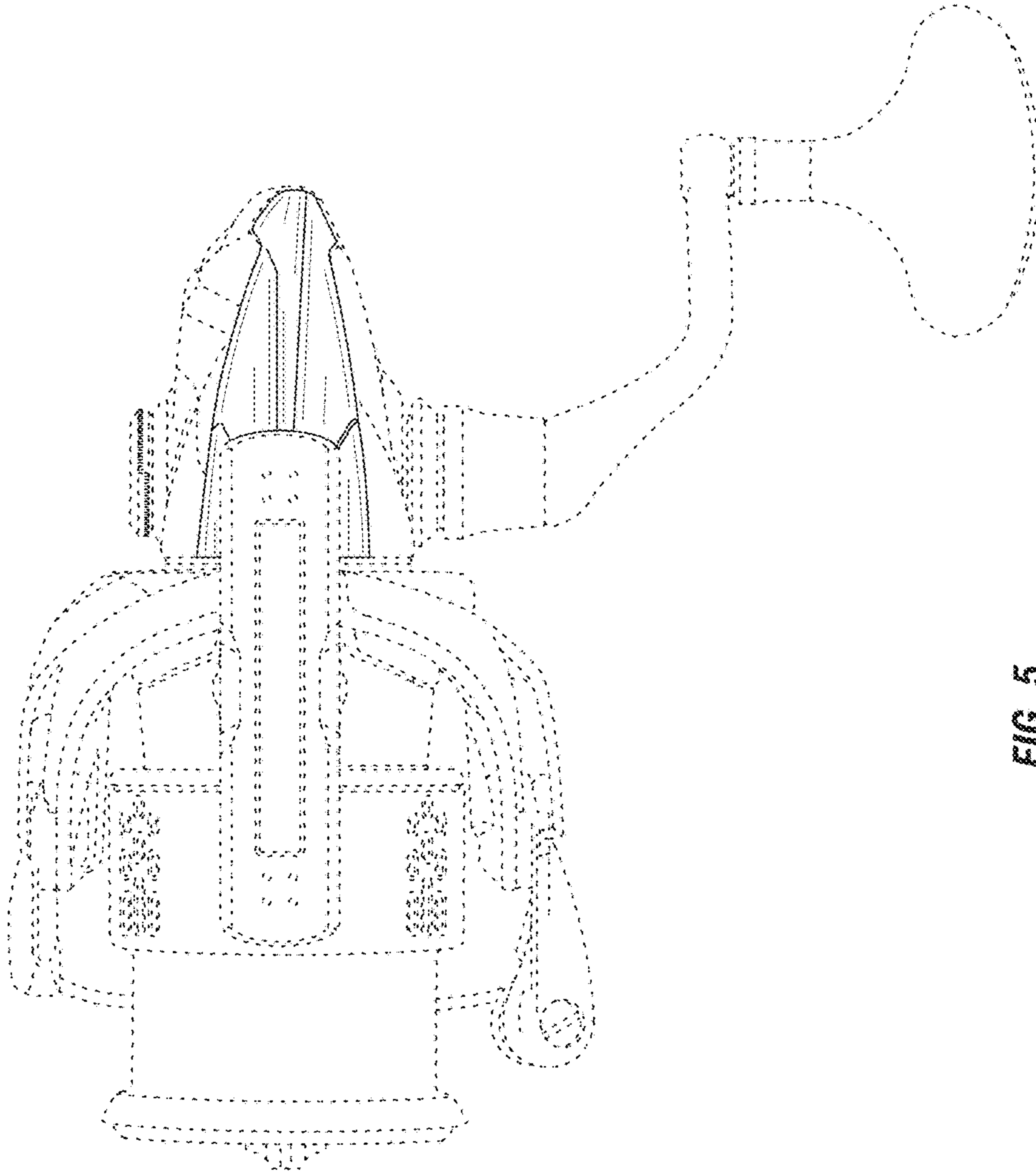


FIG. 5

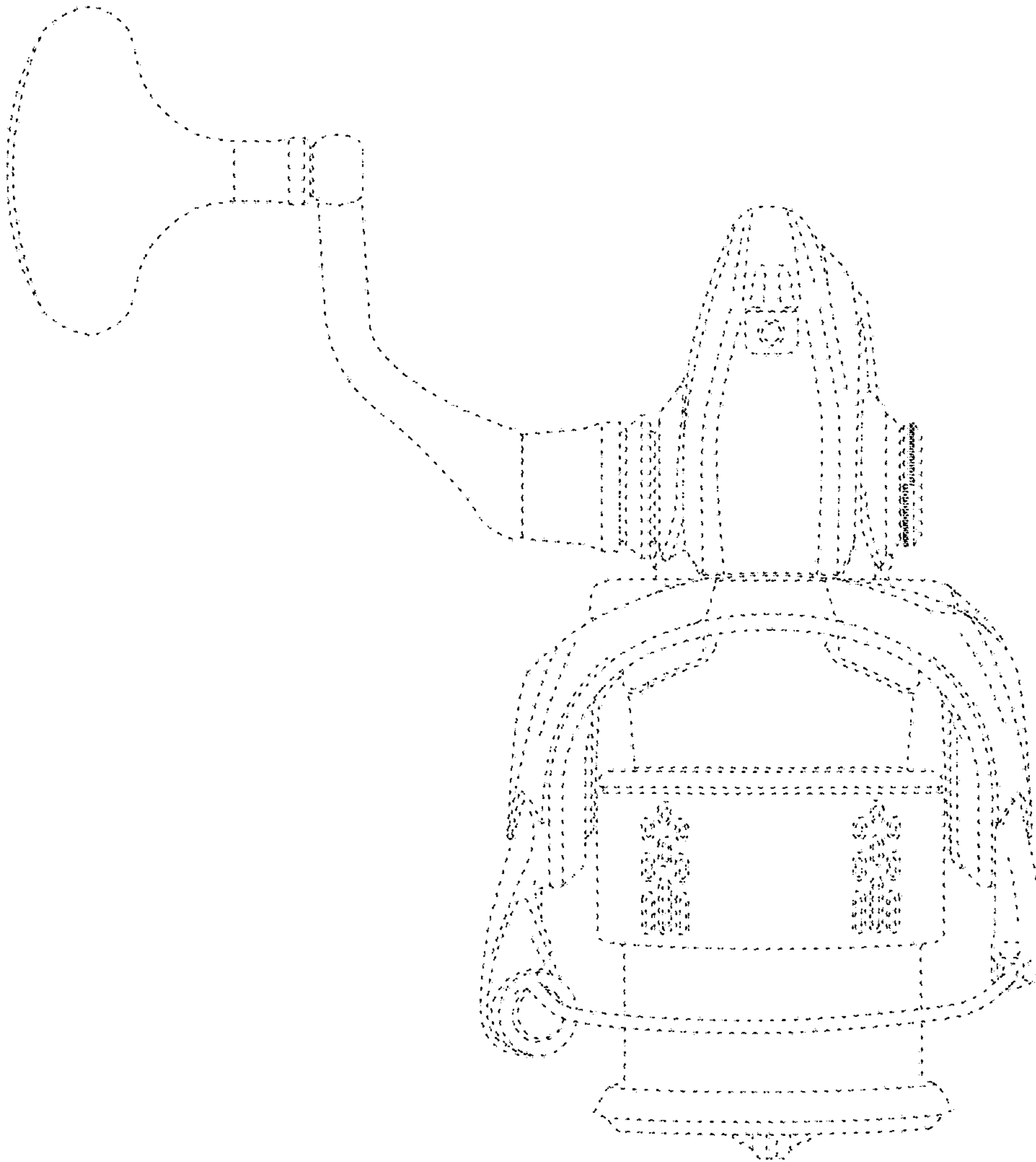
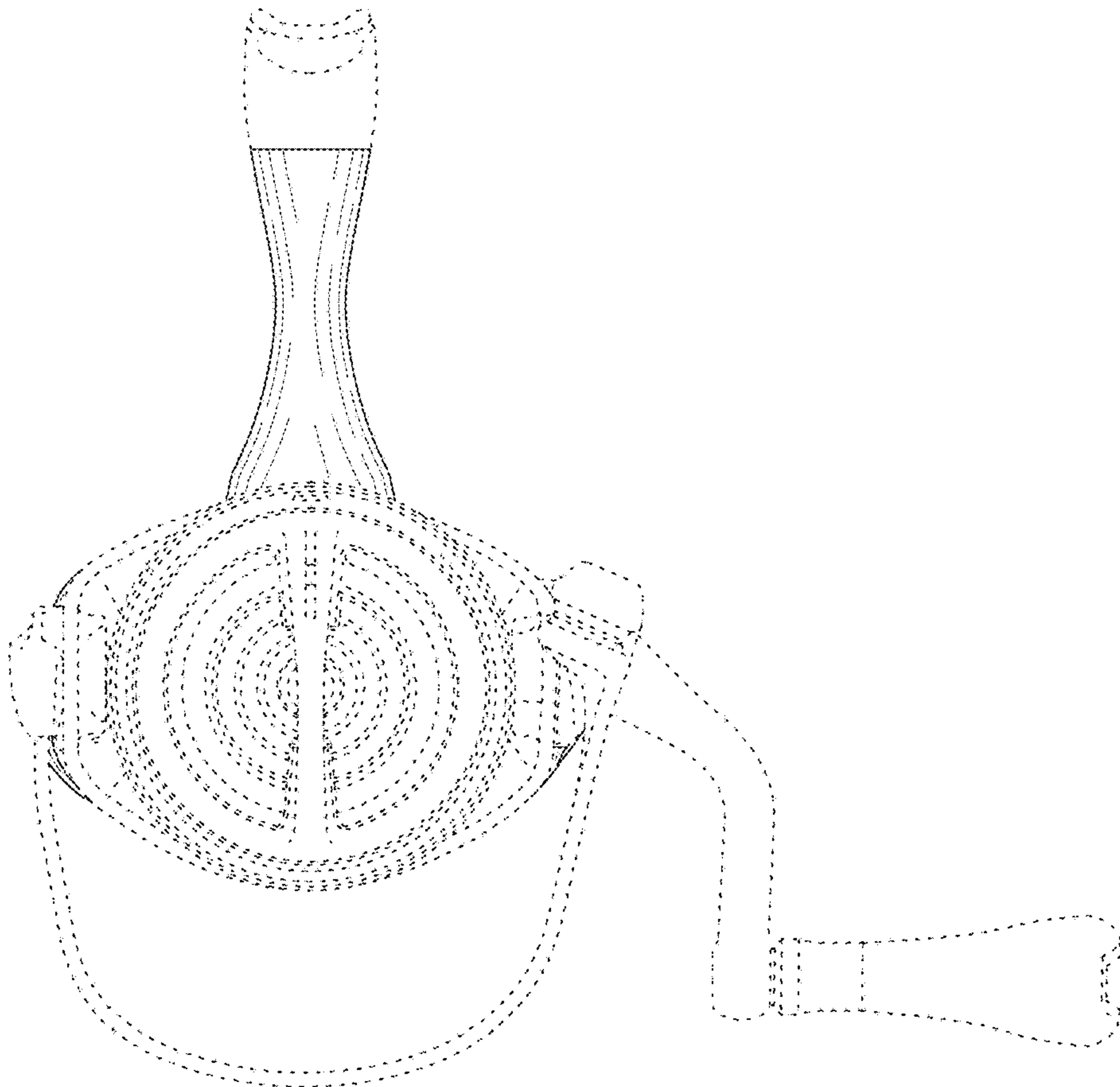
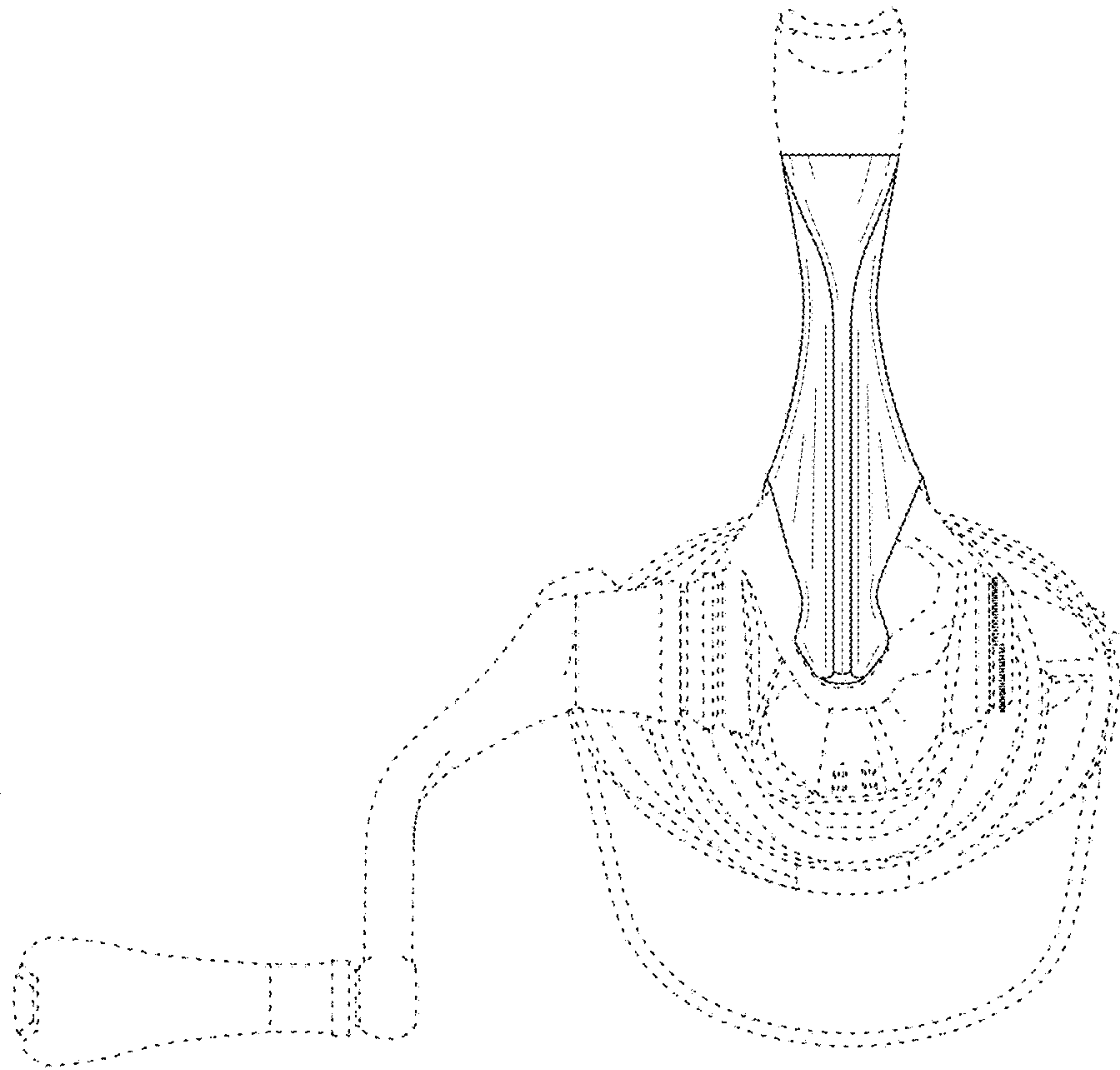


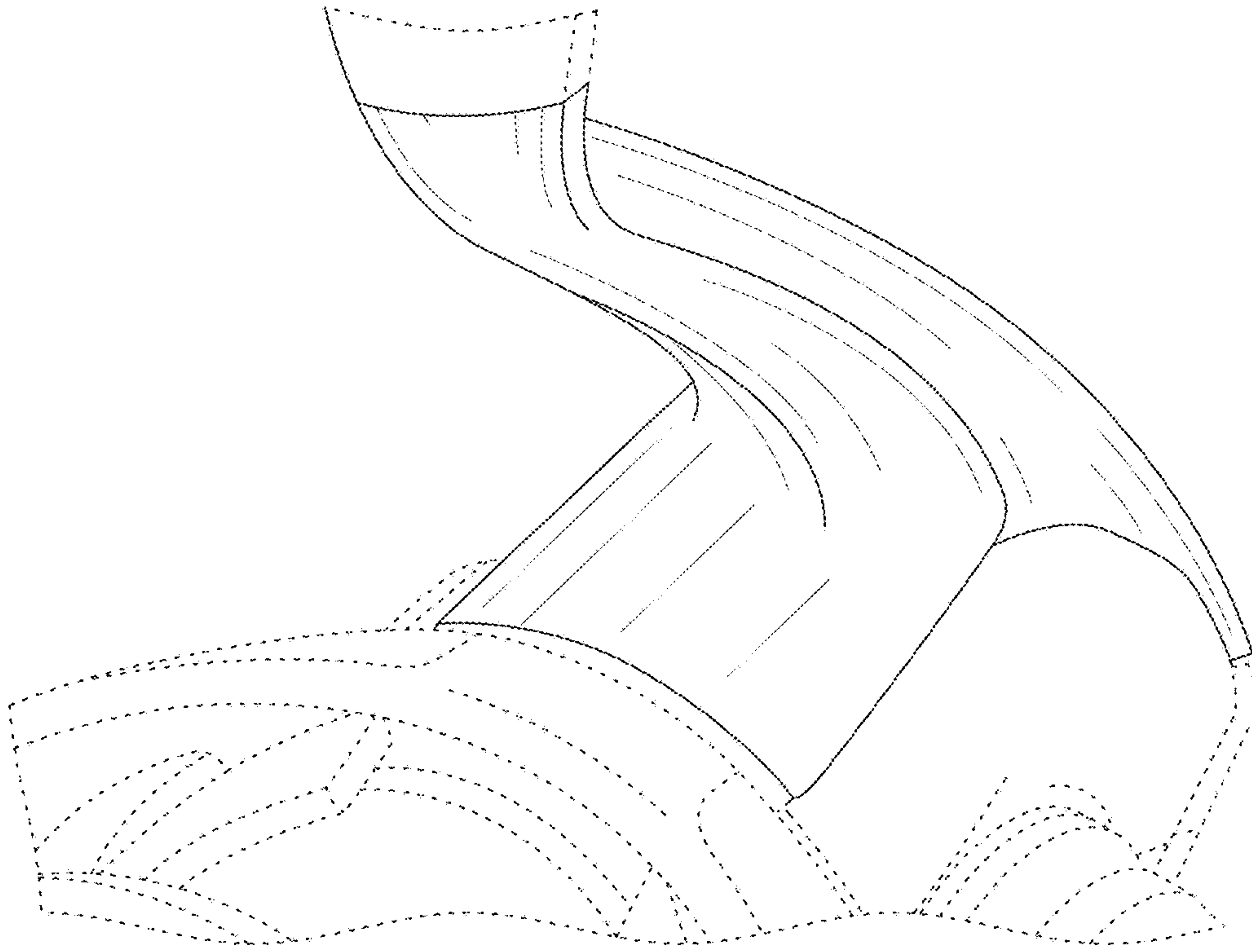
FIG. 6



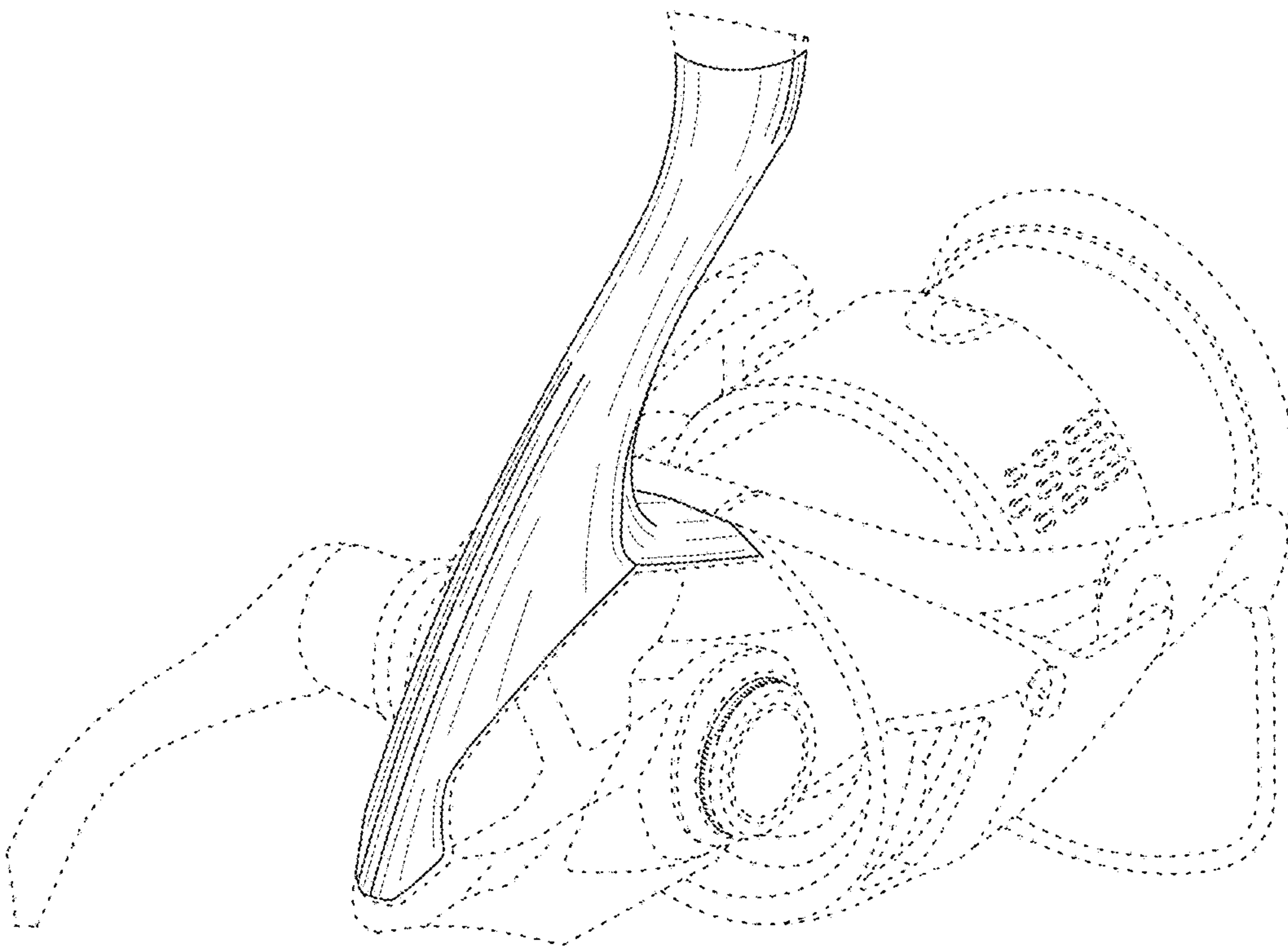
**FIG. 7**



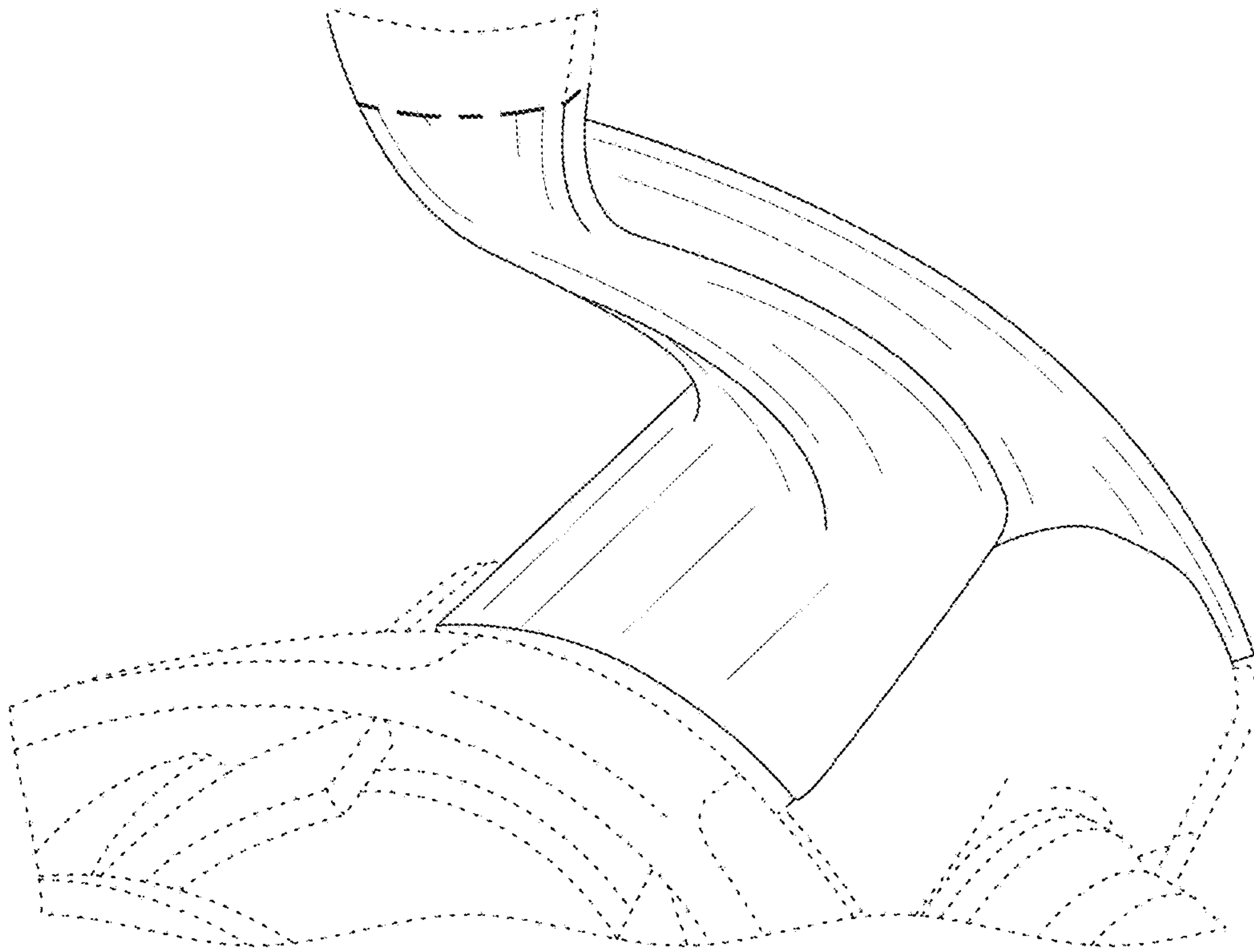
**FIG. 8**



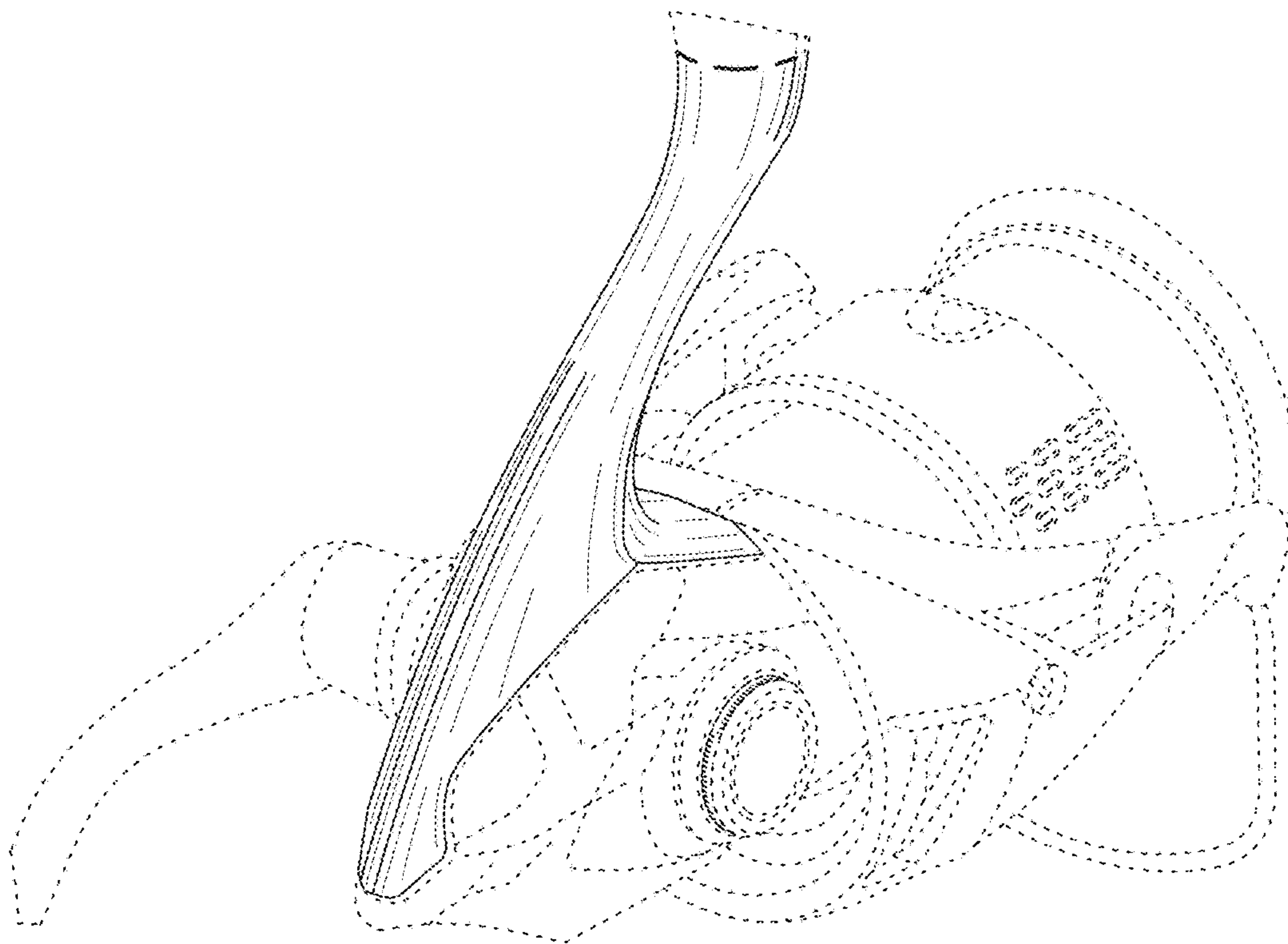
**FIG. 9**



**FIG. 10**



**FIG. 11**



**FIG. 12**