



US00D846066S

(12) **United States Design Patent** (10) **Patent No.:** **US D846,066 S**
Deguchi (45) **Date of Patent:** **** Apr. 16, 2019**

(54) **FISHING REEL PORTION**

(71) Applicant: **Shimano Inc.**, Sakai, Osaka (JP)

(72) Inventor: **Tomoya Deguchi**, Osaka (JP)

(73) Assignee: **Shimano Inc.**, Osaka (JP)

(**) Term: **15 Years**

(21) Appl. No.: **29/639,048**

(22) Filed: **Mar. 2, 2018**

(30) **Foreign Application Priority Data**

Dec. 20, 2017 (JP) 2017-028362

(51) **LOC (11) Cl.** **22-05**

(52) **U.S. Cl.**
USPC **D22/141**

(58) **Field of Classification Search**
USPC D22/137-141; 43/19-21; 242/223,
242/310-311, 314-315, 318, 322, 370
(Continued)

(56) **References Cited**

U.S. PATENT DOCUMENTS

D401,996 S * 12/1998 Asano D22/141
D507,622 S 7/2005 Iwabuchi
(Continued)

Primary Examiner — Catherine R Oliver-Garcia

(74) *Attorney, Agent, or Firm* — Global IP Counselors,
LLP

(57) **CLAIM**

An ornamental design for a fishing reel portion, as shown
and described.

DESCRIPTION

FIG. 1 is a left side and rear perspective view of a fishing reel
that includes a fishing reel portion in accordance with my
new design;

FIG. 2 is a right side and rear perspective view of the fishing
reel illustrated in FIG. 1 that includes the fishing reel
portion;

FIG. 3 is a left side elevational view of the fishing reel
illustrated in FIG. 1 that includes the fishing reel portion;

FIG. 4 is a right side elevational view of the fishing reel
illustrated in FIG. 1 that includes the fishing reel portion;

FIG. 5 is a top plan view of the fishing reel illustrated in FIG.
1 that includes the fishing reel portion;

FIG. 6 is a bottom plan view of the fishing reel illustrated in
FIG. 1 with the fishing reel portion completely hidden from
sight;

FIG. 7 is a rear elevational view of the fishing reel illustrated
in FIG. 1 that includes the fishing reel portion;

FIG. 8 is a front elevational view of the fishing reel
illustrated in FIG. 1 with the fishing reel portion completely
hidden from sight;

FIG. 9 is an enlarged, partial perspective view of a portion
of the fishing reel illustrated in FIG. 1 that includes the
fishing reel portion;

FIG. 10 is an enlarged, partial perspective view of a portion
of the fishing reel illustrated in FIG. 2 that includes the
fishing reel portion;

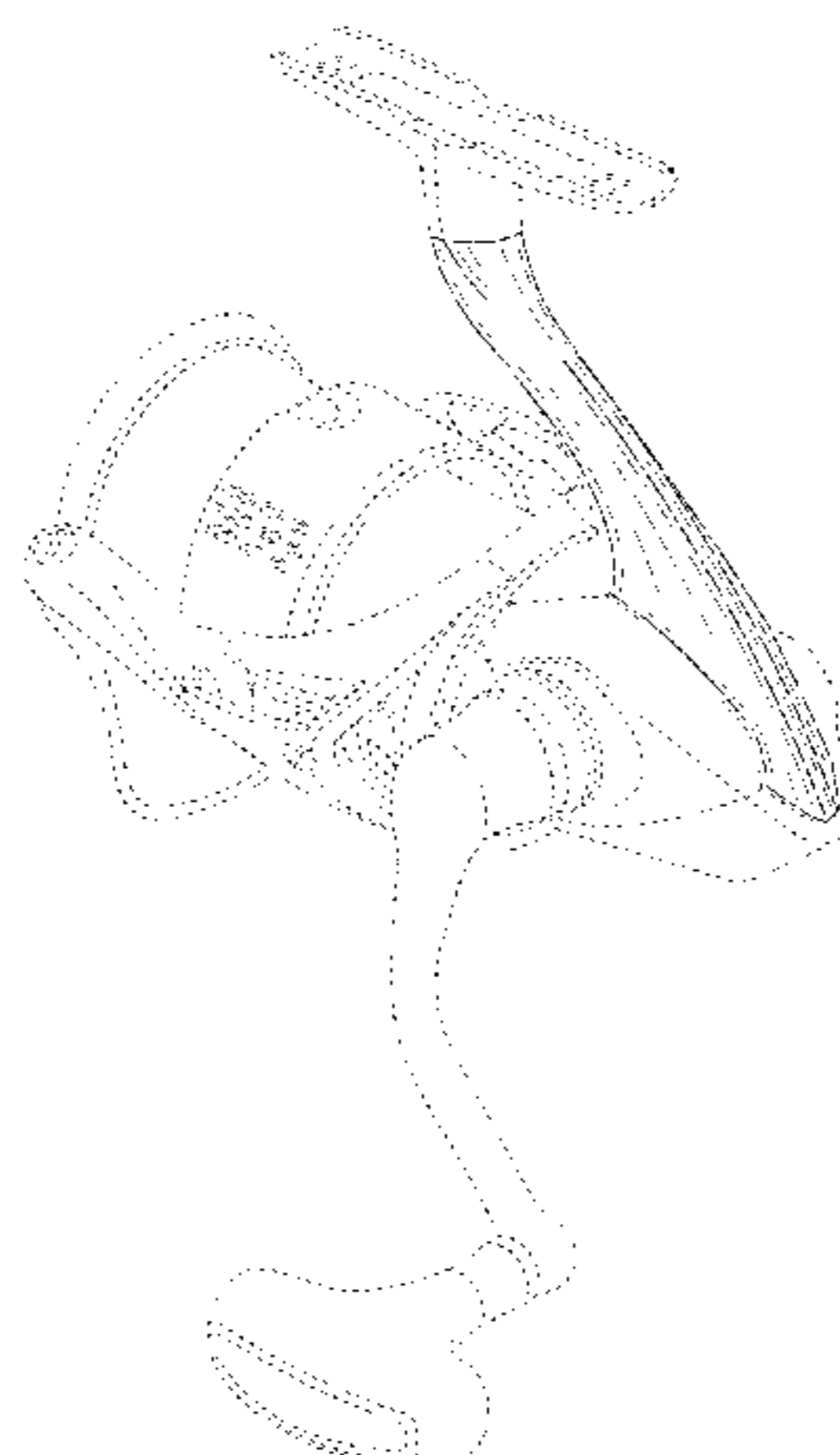
FIG. 11 is an enlarged, partial perspective view, similar to
FIG. 9, of a portion of the fishing reel illustrated in FIG. 1
that includes an alternate fishing reel portion, which is
identical to the fishing reel portion illustrated in FIGS. 1 to
10, except that a boundary of the alternate fishing reel
portion is shown in broken lines; and,

FIG. 12 is an enlarged, partial perspective view, similar to
FIG. 10, of a portion of the fishing reel illustrated in FIG. 2
that includes the alternate fishing reel portion.

In the alternate fishing reel portion illustrated in FIGS. 11
and 12, the broken line boundary does not form part of the
claimed design. In other words, with respect to the alternate
design of the fishing reel portion illustrated in FIGS. 11 and
12, it should be understood that the claimed design extends
to the broken line boundary but does not include the broken
line boundary shown in broken lines.

In the drawings, the broken line illustration of the environ-
mental structure (the remaining structure of the fishing reel)
in the drawings is not part of the claimed design. in other

(Continued)



words, the broken line portion of the fishing reel does not form part of the claimed design.

1 Claim, 9 Drawing Sheets

(58) Field of Classification Search

CPC A01K 89/015; A01K 89/01931

See application file for complete search history.

(56) References Cited

U.S. PATENT DOCUMENTS

D528,626 S *	9/2006	Iwabuchi	D22/141
D579,513 S *	10/2008	Iwabuchi	D22/141
D589,586 S	3/2009	Noma	
D624,626 S *	9/2010	Noma	D22/141
D627,418 S *	11/2010	Nago	D22/141

* cited by examiner

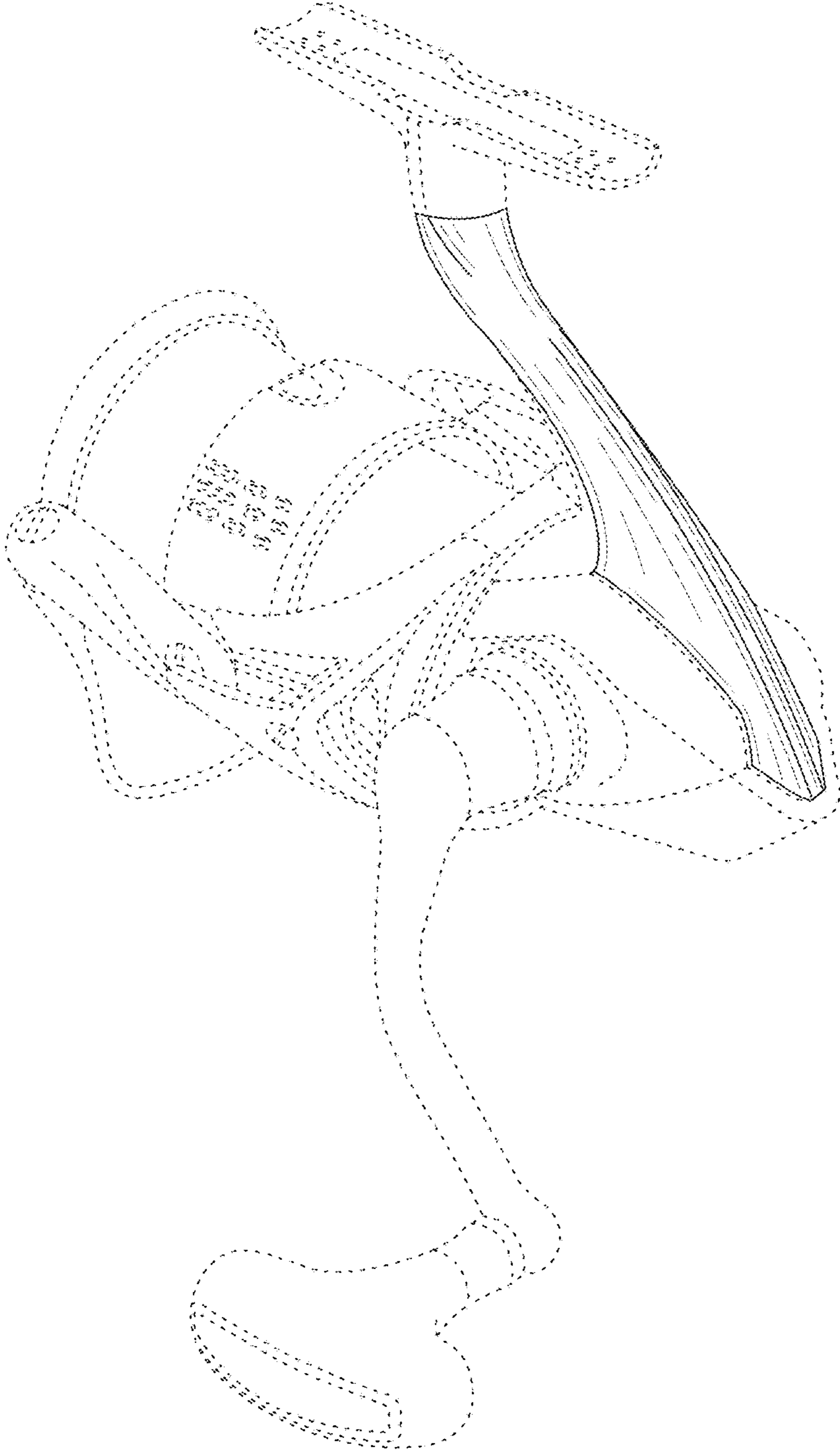


FIG. 1

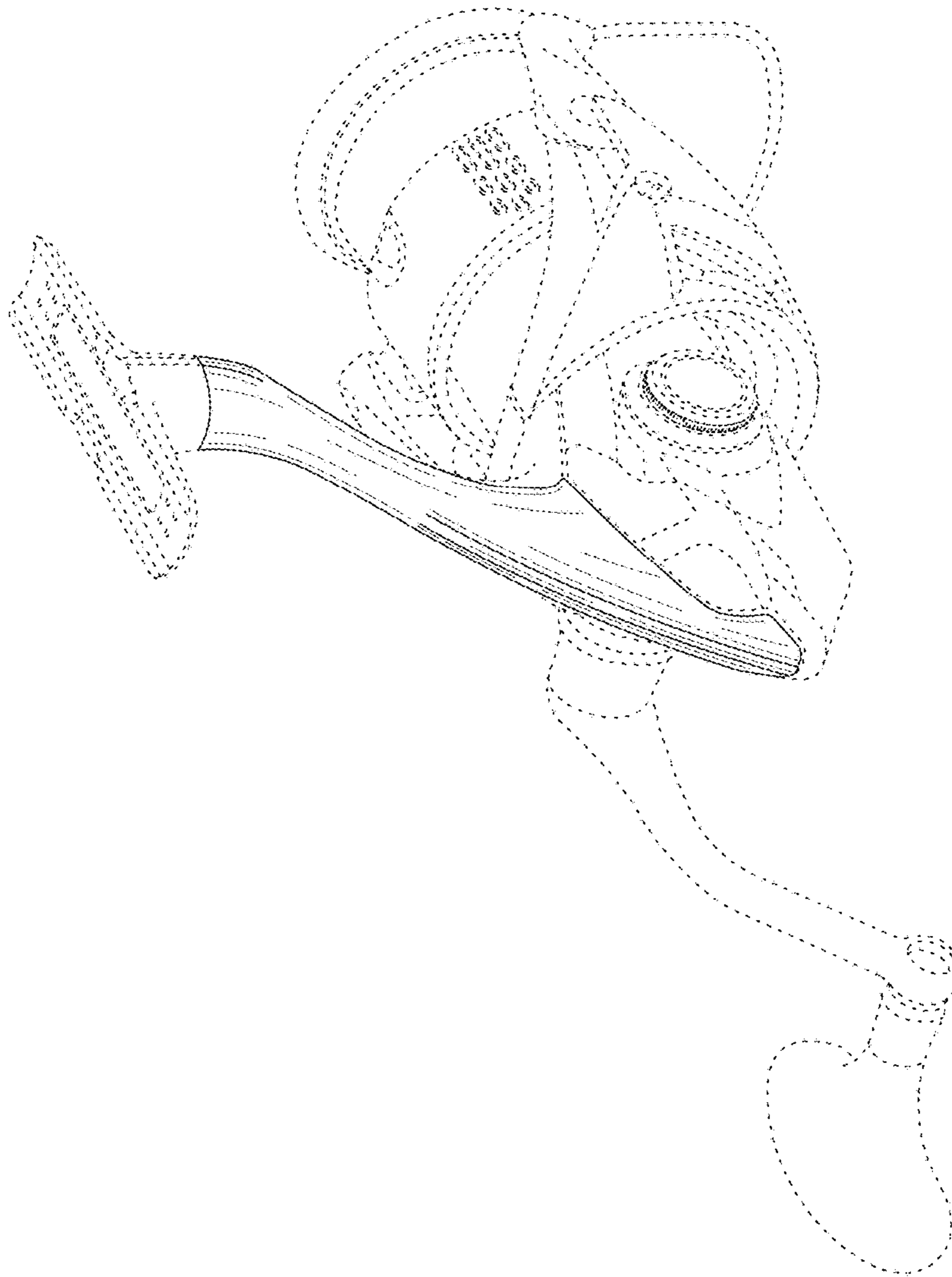


FIG. 2

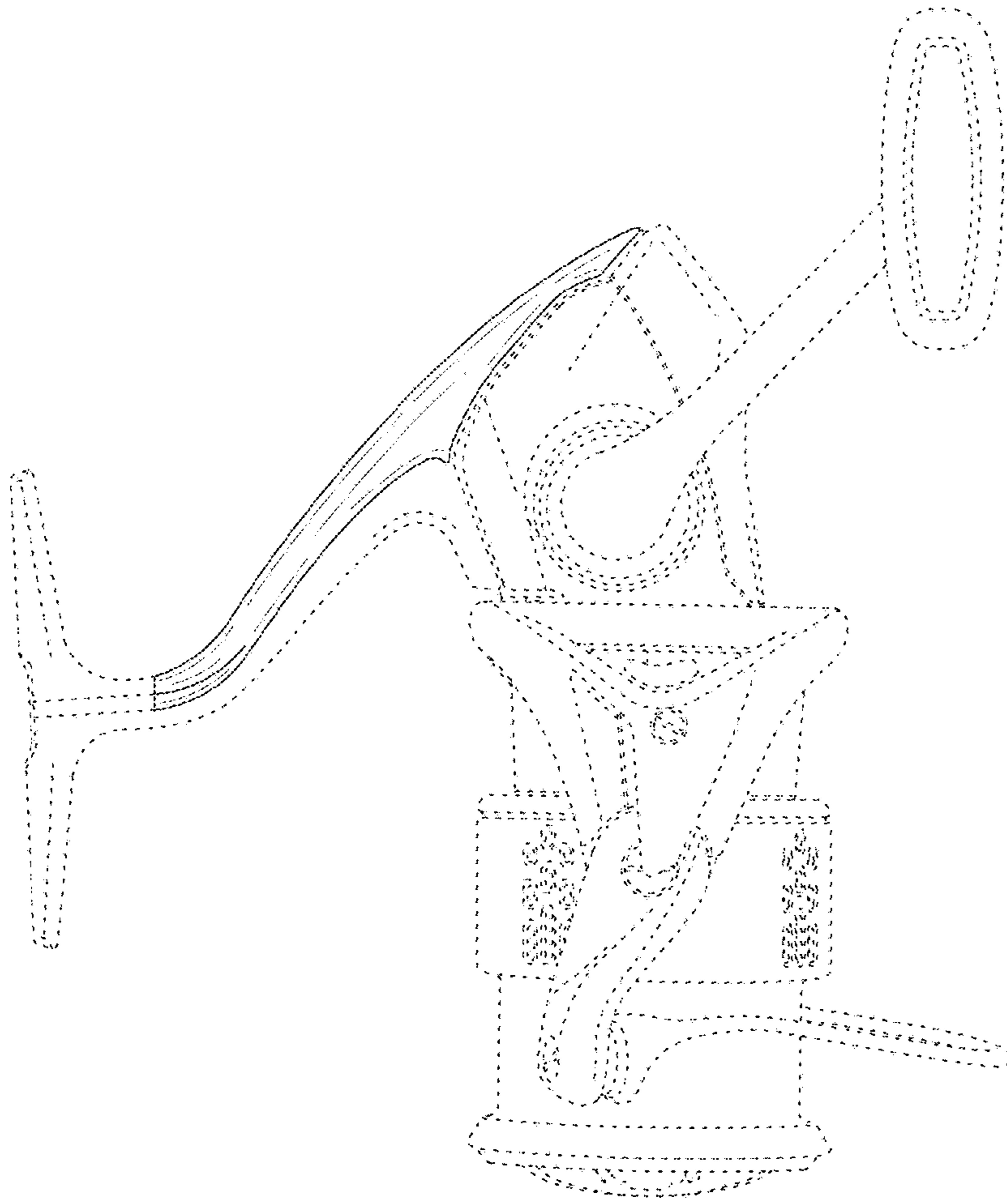


FIG. 3

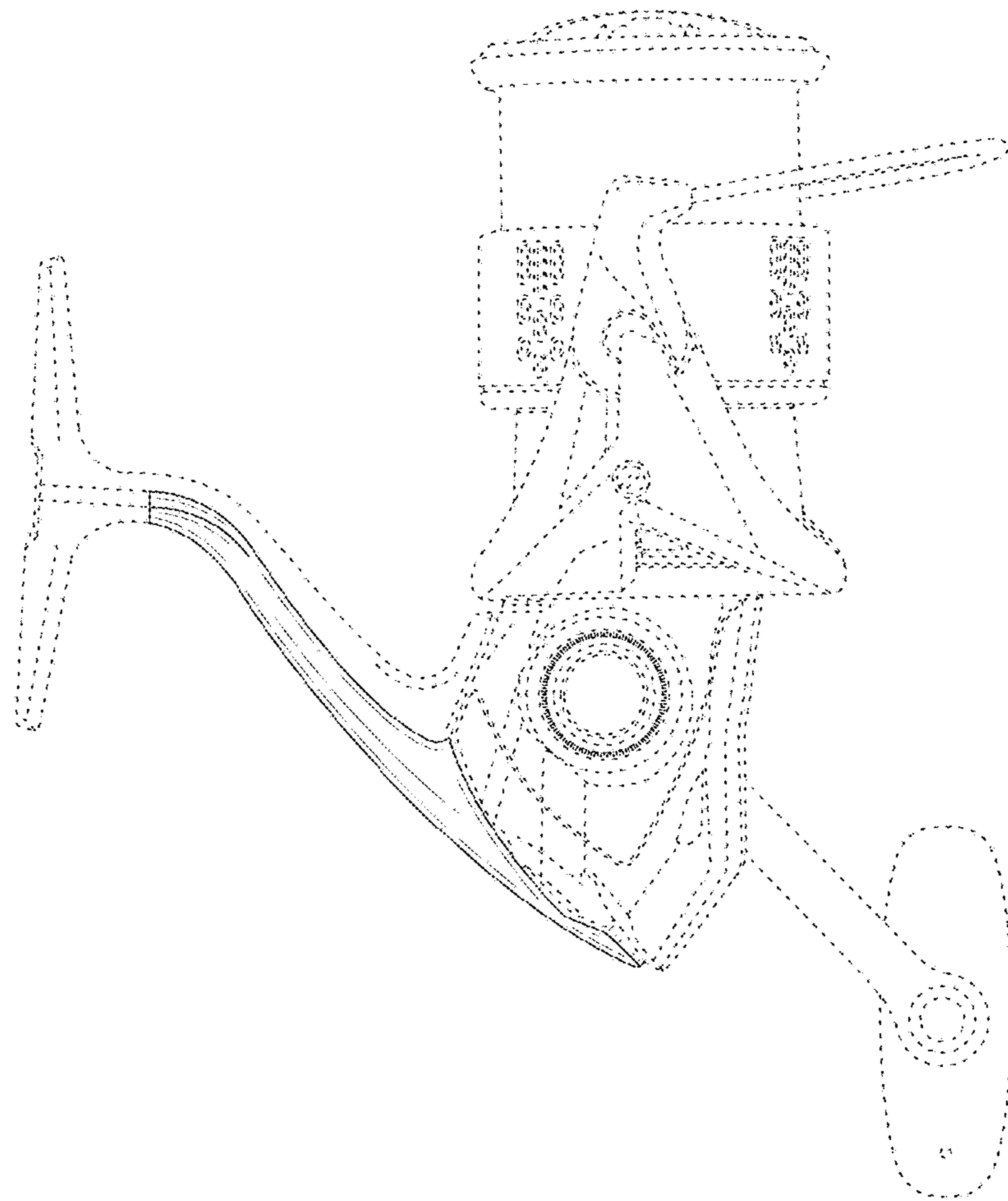


FIG. 4

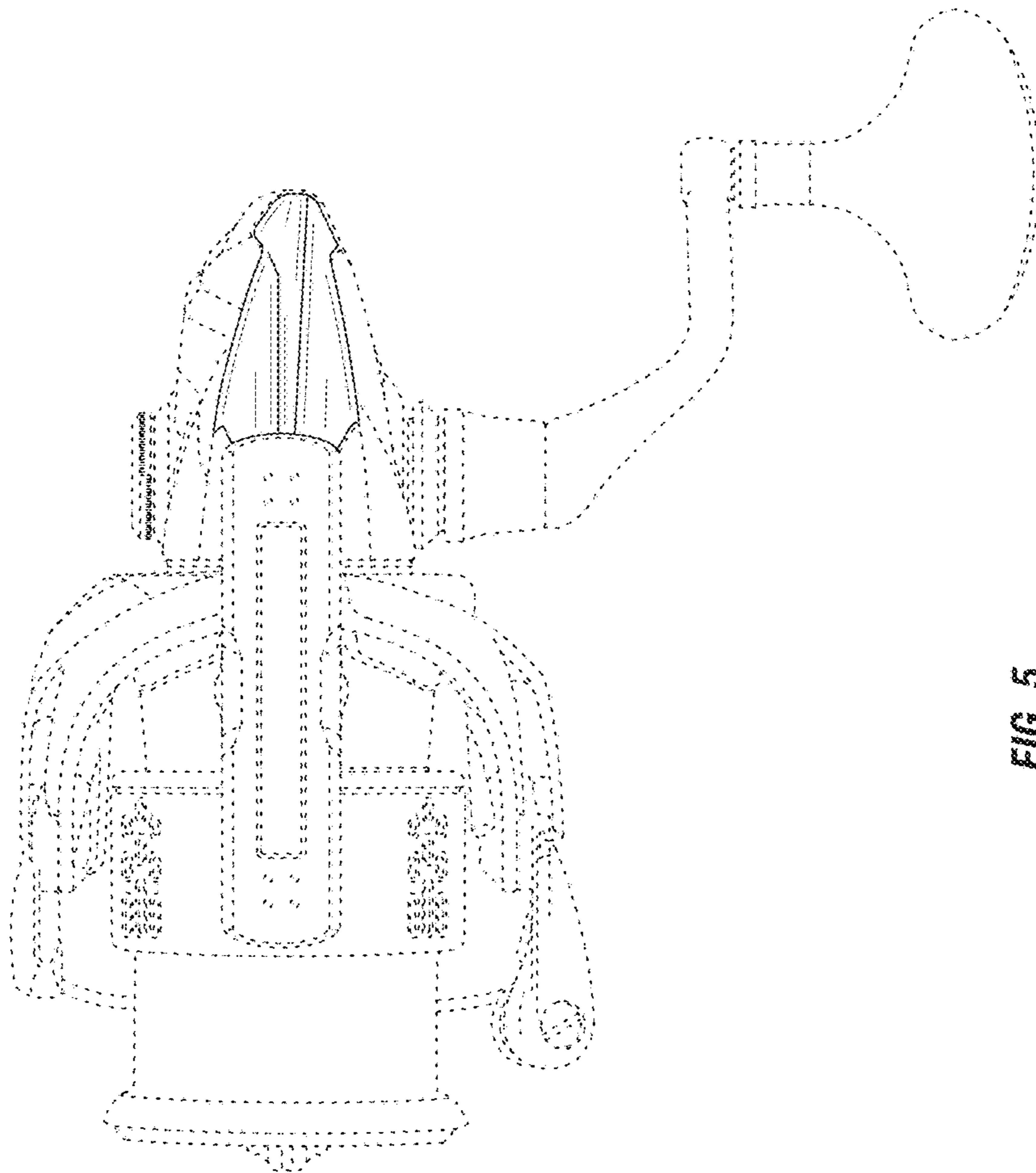


FIG. 5

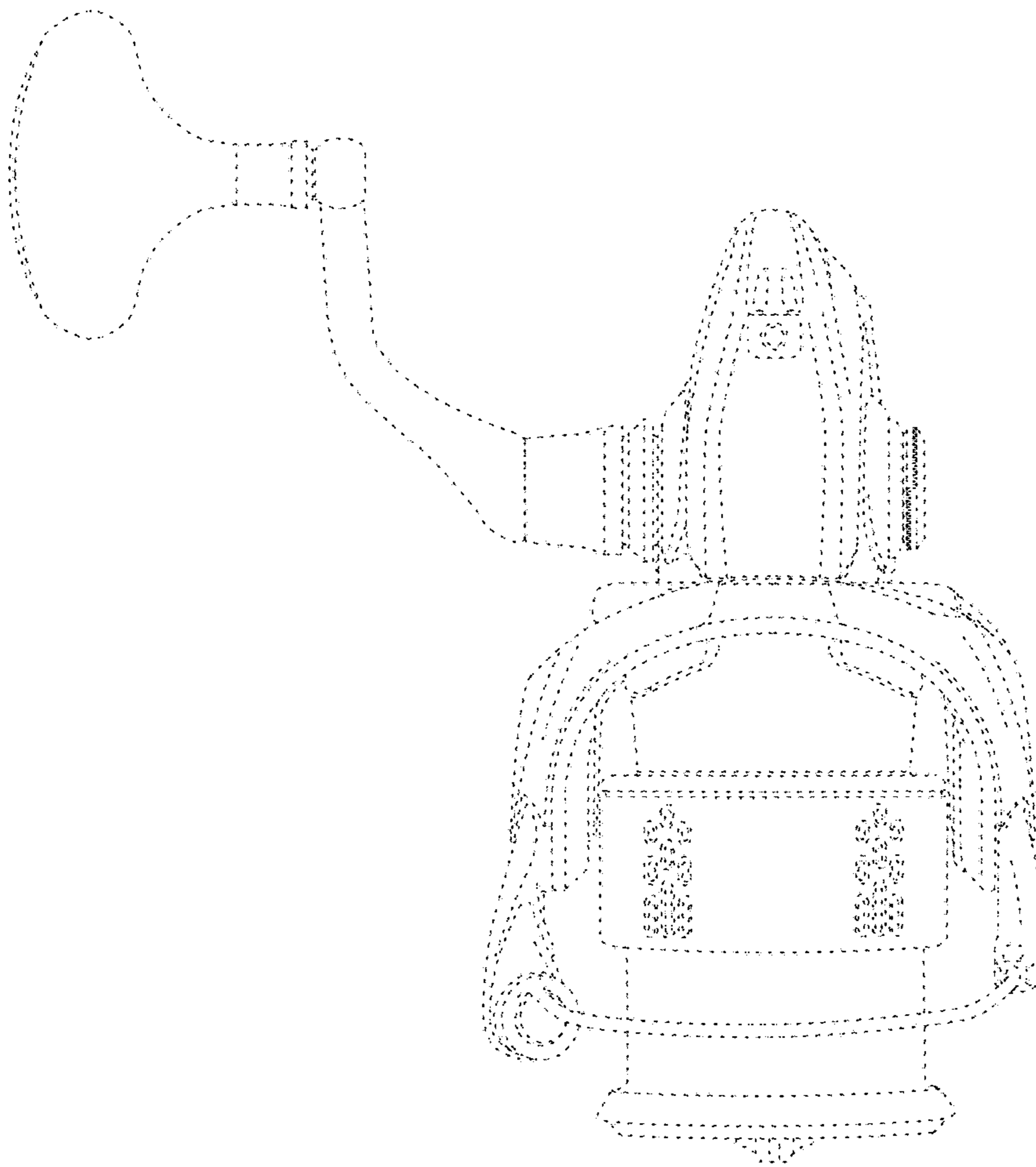


FIG. 6

FIG. 7

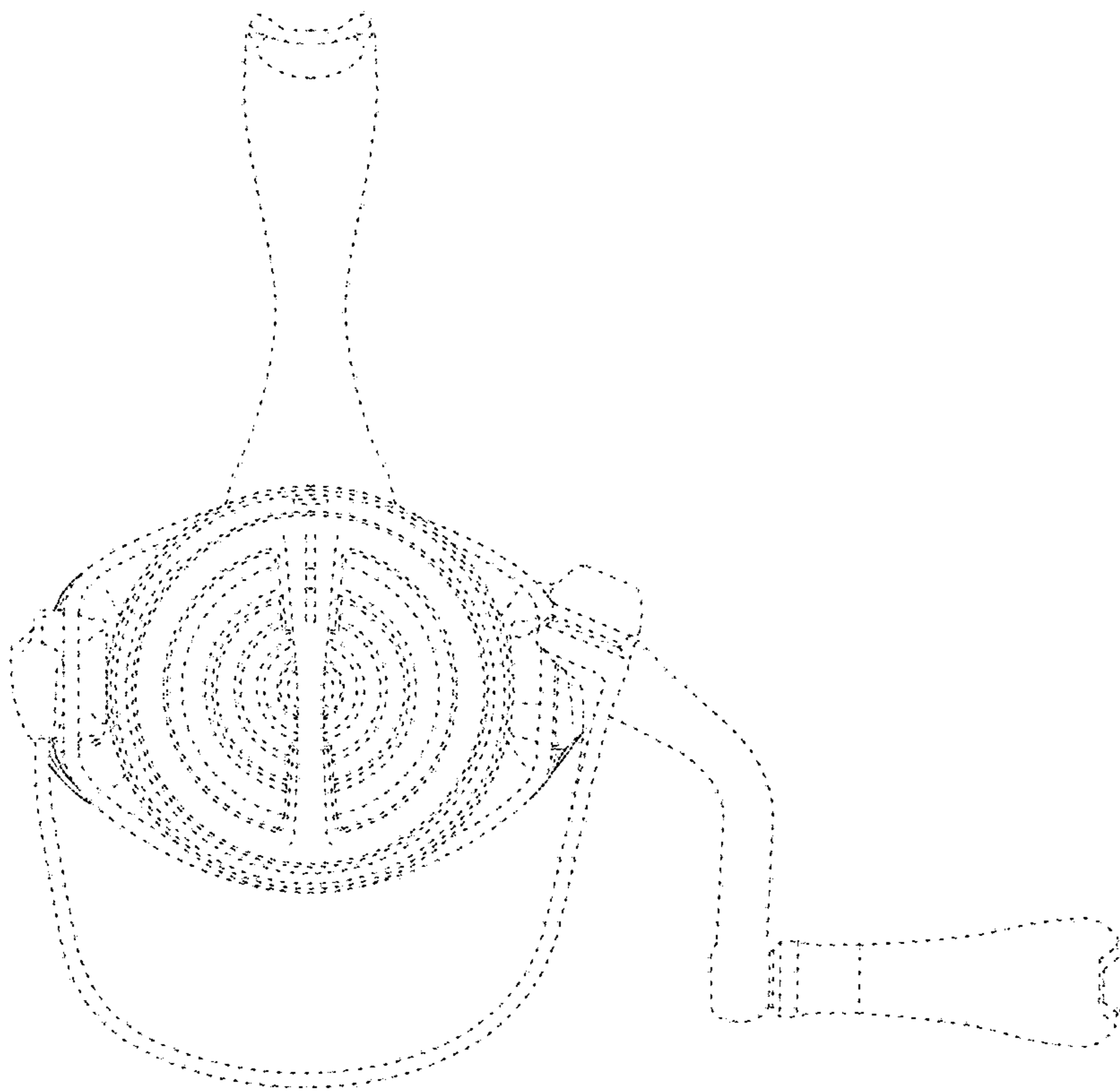
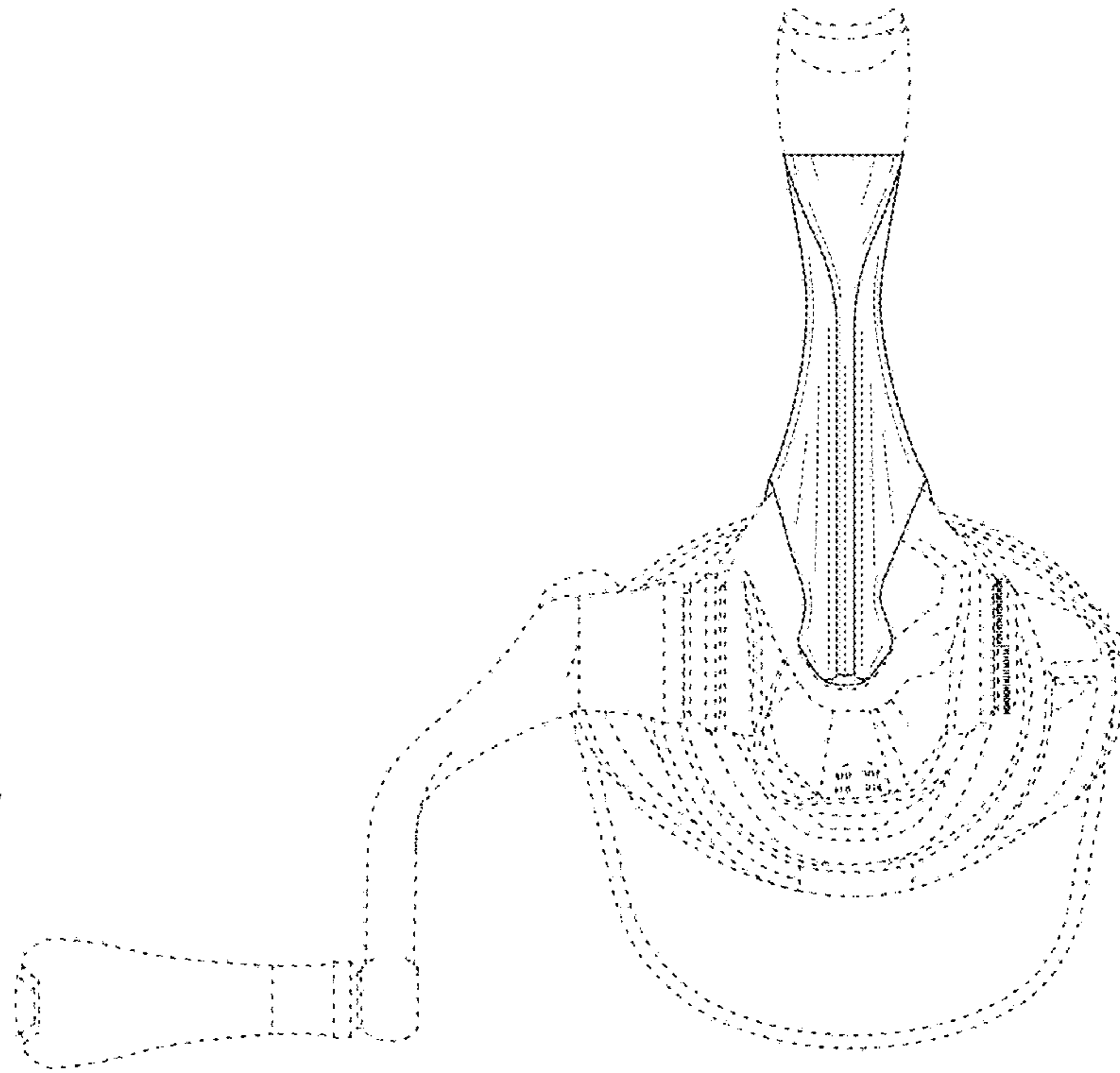


FIG. 8

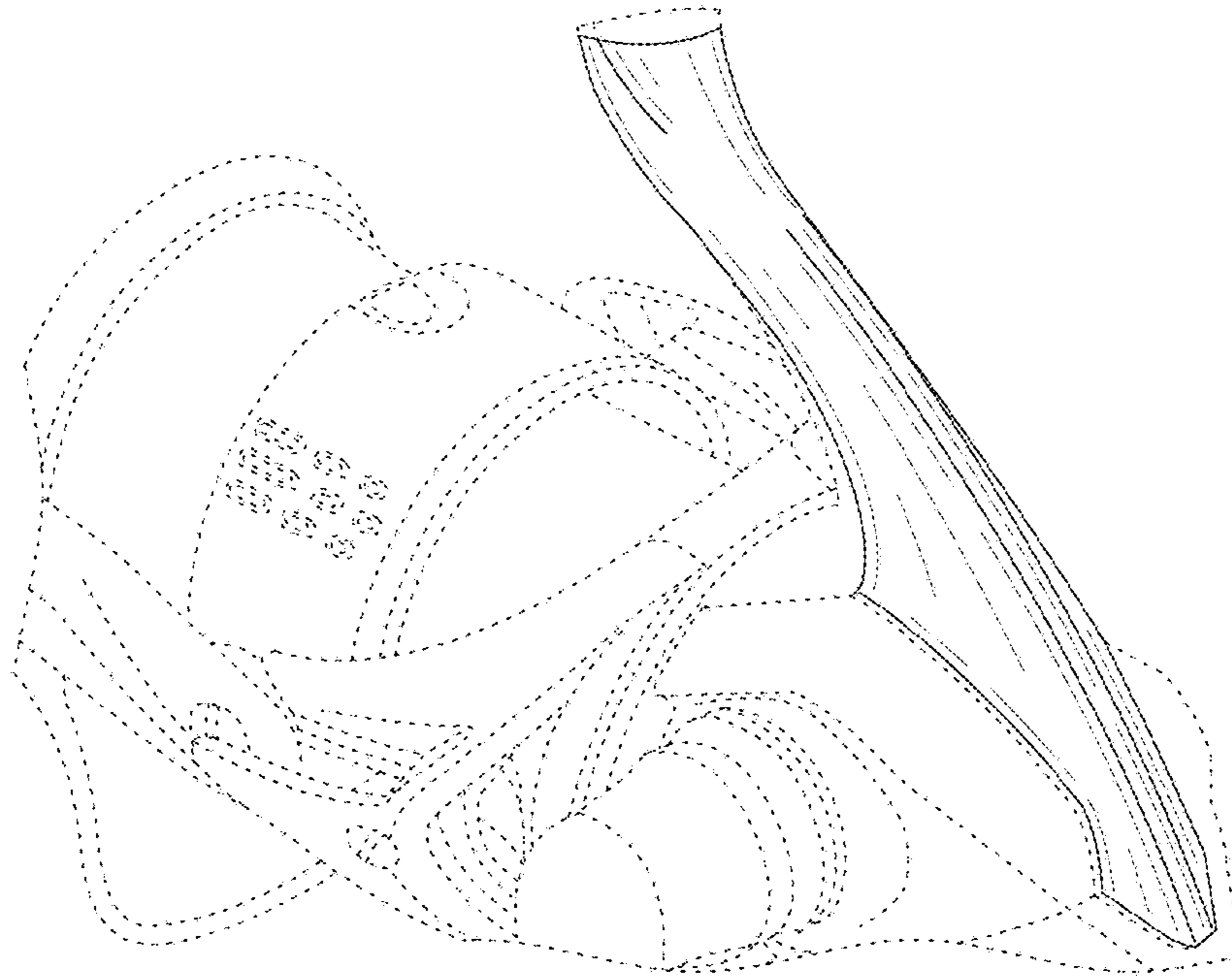


FIG. 9

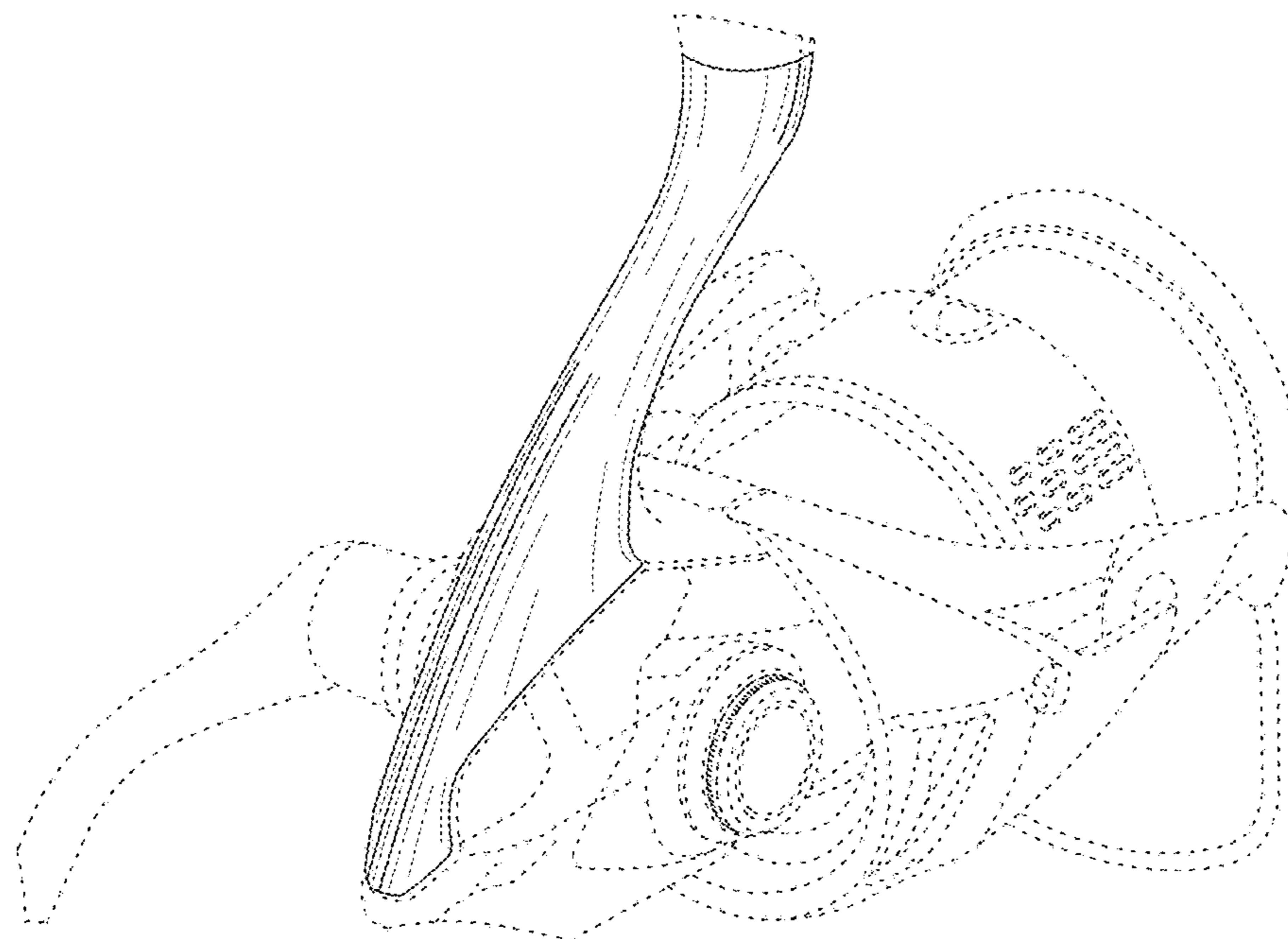


FIG. 10

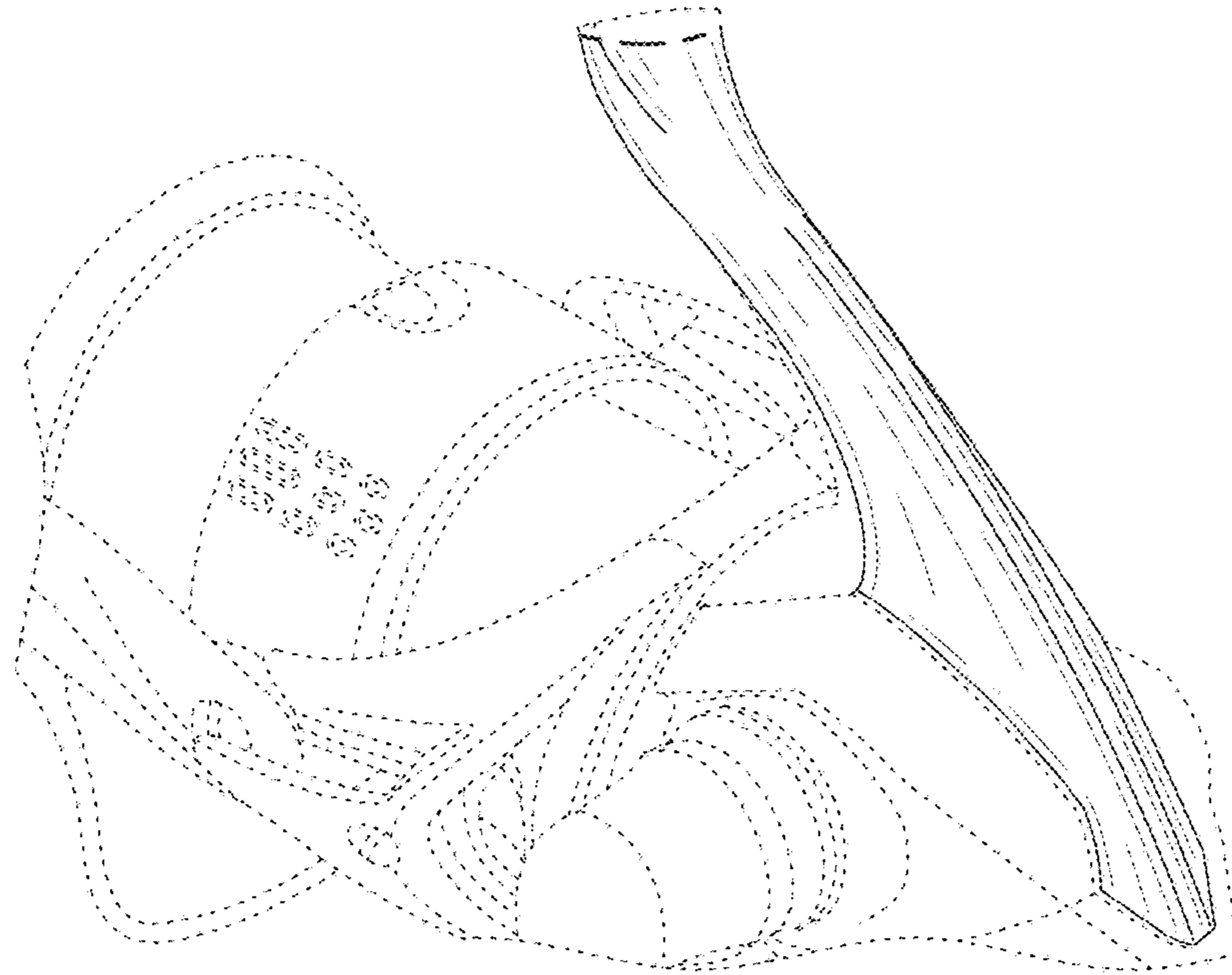


FIG. 11

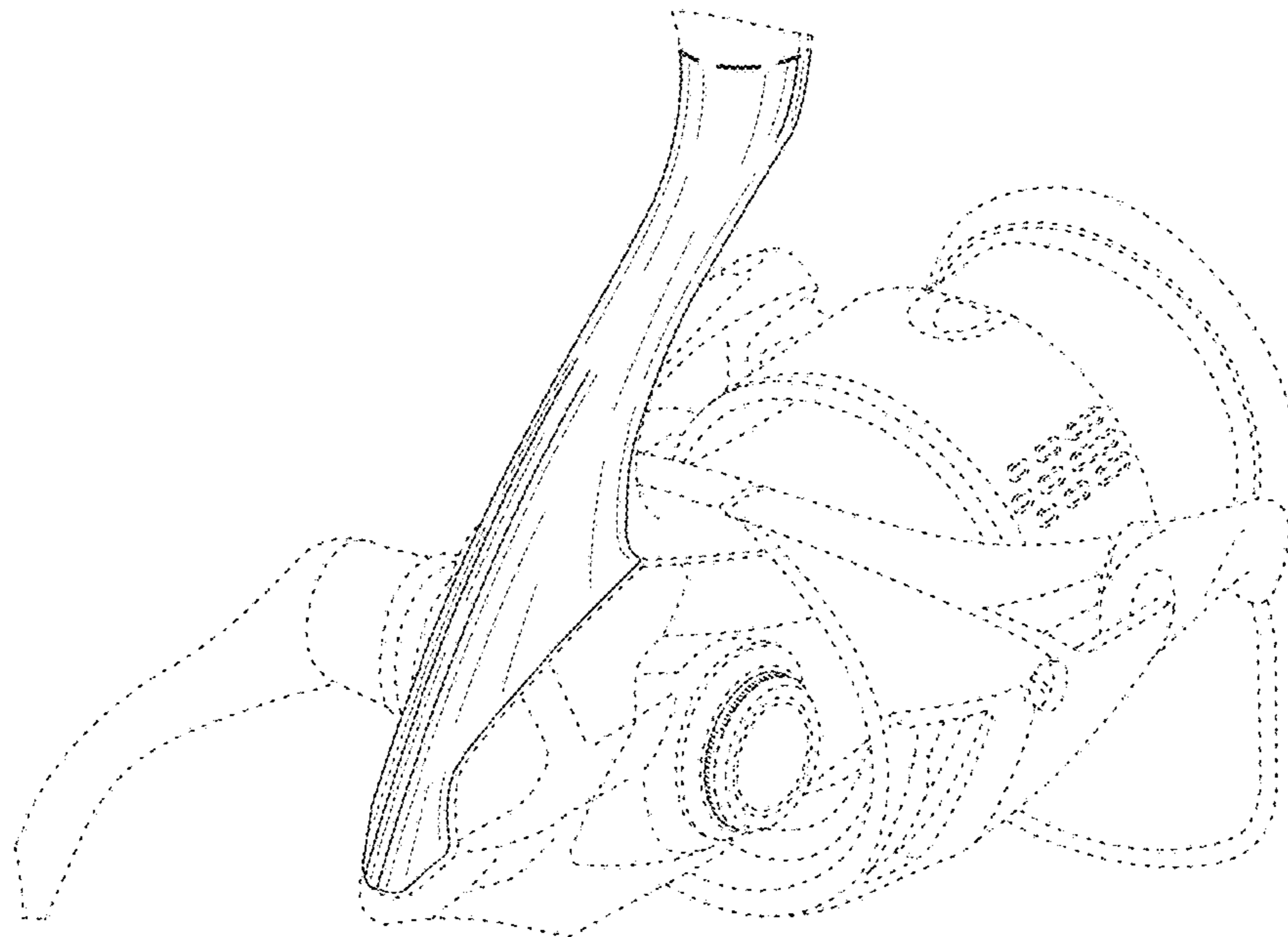


FIG. 12