



US00D846065S

(12) **United States Design Patent** (10) **Patent No.:** **US D846,065 S**
Deguchi (45) **Date of Patent:** **** Apr. 16, 2019**

(54) **FISHING REEL PORTION**

(71) Applicant: **Shimano Inc.**, Sakai, Osaka (JP)

(72) Inventor: **Tomoya Deguchi**, Osaka (JP)

(73) Assignee: **Shimano Inc.**, Osaka (JP)

(**) Term: **15 Years**

(21) Appl. No.: **29/639,043**

(22) Filed: **Mar. 2, 2018**

(30) **Foreign Application Priority Data**

Dec. 20, 2017 (JP) 2017-028361

(51) **LOC (11) Cl.** **22-05**

(52) **U.S. Cl.**
USPC **D22/141**

(58) **Field of Classification Search**
USPC D22/137-141; 242/310-312, 316, 323;
43/19-21

(Continued)

(56) **References Cited**

U.S. PATENT DOCUMENTS

D725,229 S 3/2015 Deguchi et al.
D767,082 S 9/2016 Nago

(Continued)

Primary Examiner — Catherine R Oliver-Garcia

(74) *Attorney, Agent, or Firm* — Global IP Counselors,
LLP

(57) **CLAIM**

An ornamental design for a fishing reel portion, as shown
and described.

DESCRIPTION

FIG. 1 is a first perspective view of a fishing reel that
includes a fishing reel portion in accordance with my new
design;

FIG. 2 is a second perspective view of the fishing reel
illustrated in FIG. 1 that includes the fishing reel portion;
FIG. 3 is a right side elevational view of the fishing reel
illustrated in FIG. 1 that includes the fishing reel portion;
FIG. 4 is a left side elevational view of the fishing reel
illustrated in FIG. 1 that includes the fishing reel portion;
FIG. 5 is a top plan view of the fishing reel illustrated in FIG.
1 that includes the fishing reel portion;

FIG. 6 is a bottom plan view of the fishing reel illustrated in
FIG. 1 with the fishing reel portion completely hidden from
sight;

FIG. 7 is a rear elevational view of the fishing reel illustrated
in FIG. 1 that includes the fishing reel portion;

FIG. 8 is a front elevational view of the fishing reel
illustrated in FIG. 1 that includes the fishing reel portion;

FIG. 9 is an enlarged, partial perspective view of a portion
of the fishing reel illustrated in FIG. 1 that includes the
fishing reel portion;

FIG. 10 is an enlarged, partial perspective view of a portion
of the fishing reel illustrated in FIG. 2 that includes the
fishing reel portion;

FIG. 11 is an enlarged, partial perspective view of a portion
of the fishing reel illustrated in FIG. 3 that includes the
fishing reel portion;

FIG. 12 is an enlarged, partial perspective view of a portion
of the fishing reel illustrated in FIG. 4 that includes the
fishing reel portion;

FIG. 13 is an enlarged, partial perspective view, similar to
FIG. 9, of a portion of the fishing reel illustrated in FIG. 1
that includes an alternate fishing reel portion, which is
identical to the fishing reel portion illustrated in FIGS. 1 to
12, except that a boundary of the alternate fishing reel
portion is shown in broken lines;

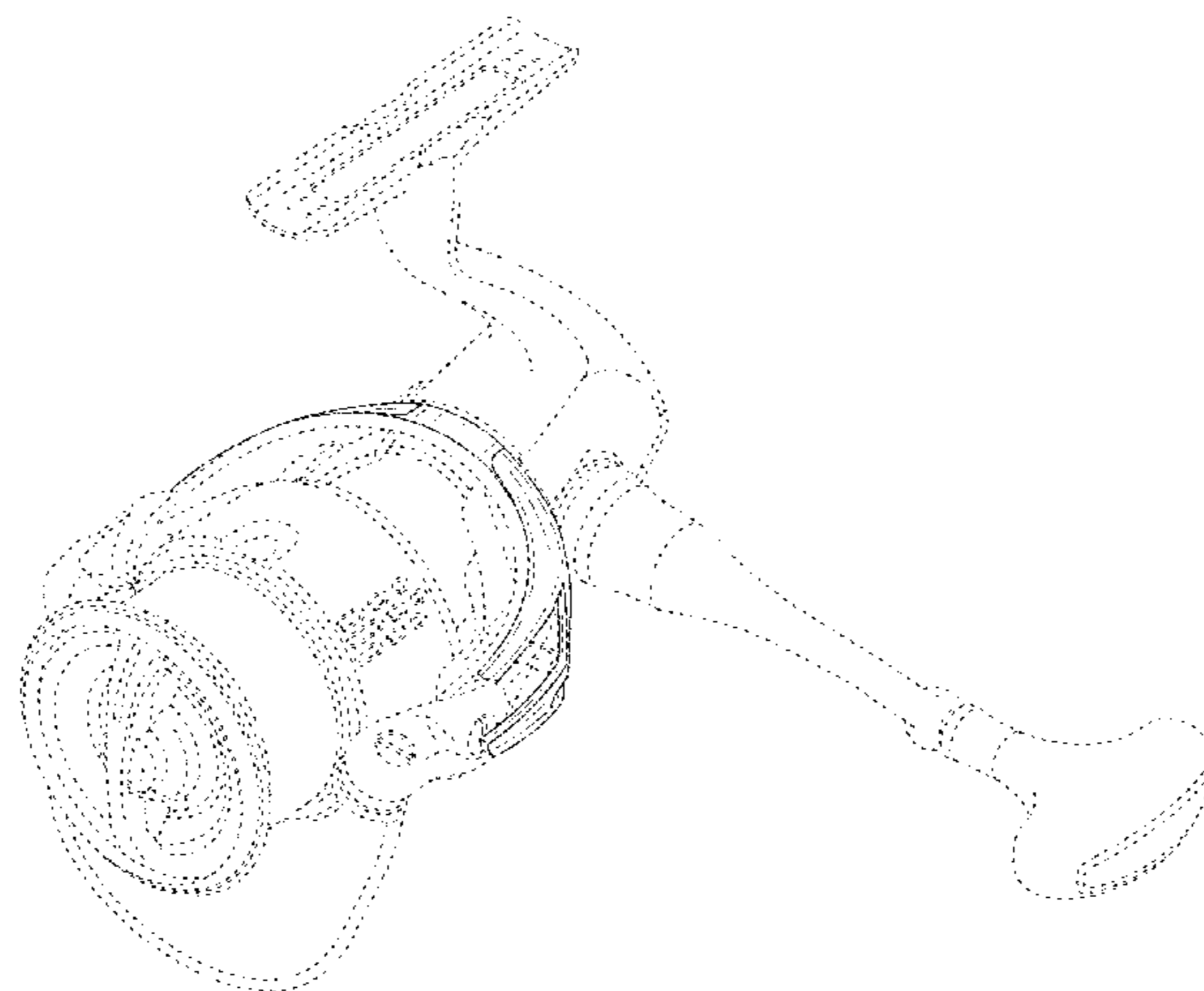
FIG. 14 is an enlarged, partial perspective view, similar to
FIG. 10, of a portion of the fishing reel illustrated in FIG. 2
that includes the alternate fishing reel portion;

FIG. 15 is an enlarged, partial perspective view, similar to
FIG. 11, of a portion of the fishing reel illustrated in FIG. 3
that includes the alternate fishing reel portion; and,

FIG. 16 is an enlarged, partial perspective view, similar to
FIG. 12, of a portion of the fishing reel illustrated in FIG. 4
that includes the alternate fishing reel portion.

In the alternate fishing reel portion illustrated in FIGS. 13 to
16, the broken line boundary does not form part of the

(Continued)



claimed design. In other words, with respect to the alternate design of the fishing reel portion illustrated in FIGS. 13 to 16, it should be understood that the claimed design extends to the broken line boundary but does not include the broken line boundary shown in broken lines.

In the drawings, the broken line illustration of the environmental structure (the remaining structure of the fishing reel) in the drawings is not part of the claimed design. In other words, the broken line portion of the fishing reel does not form part of the claimed design.

1 Claim, 11 Drawing Sheets

(58) **Field of Classification Search**

CPC A01K 89/00; A01K 89/01121; A01K
89/0114

See application file for complete search history.

(56) **References Cited**

U.S. PATENT DOCUMENTS

D782,607 S 3/2017 Deguchi et al.
D785,130 S 4/2017 Deguchi et al.

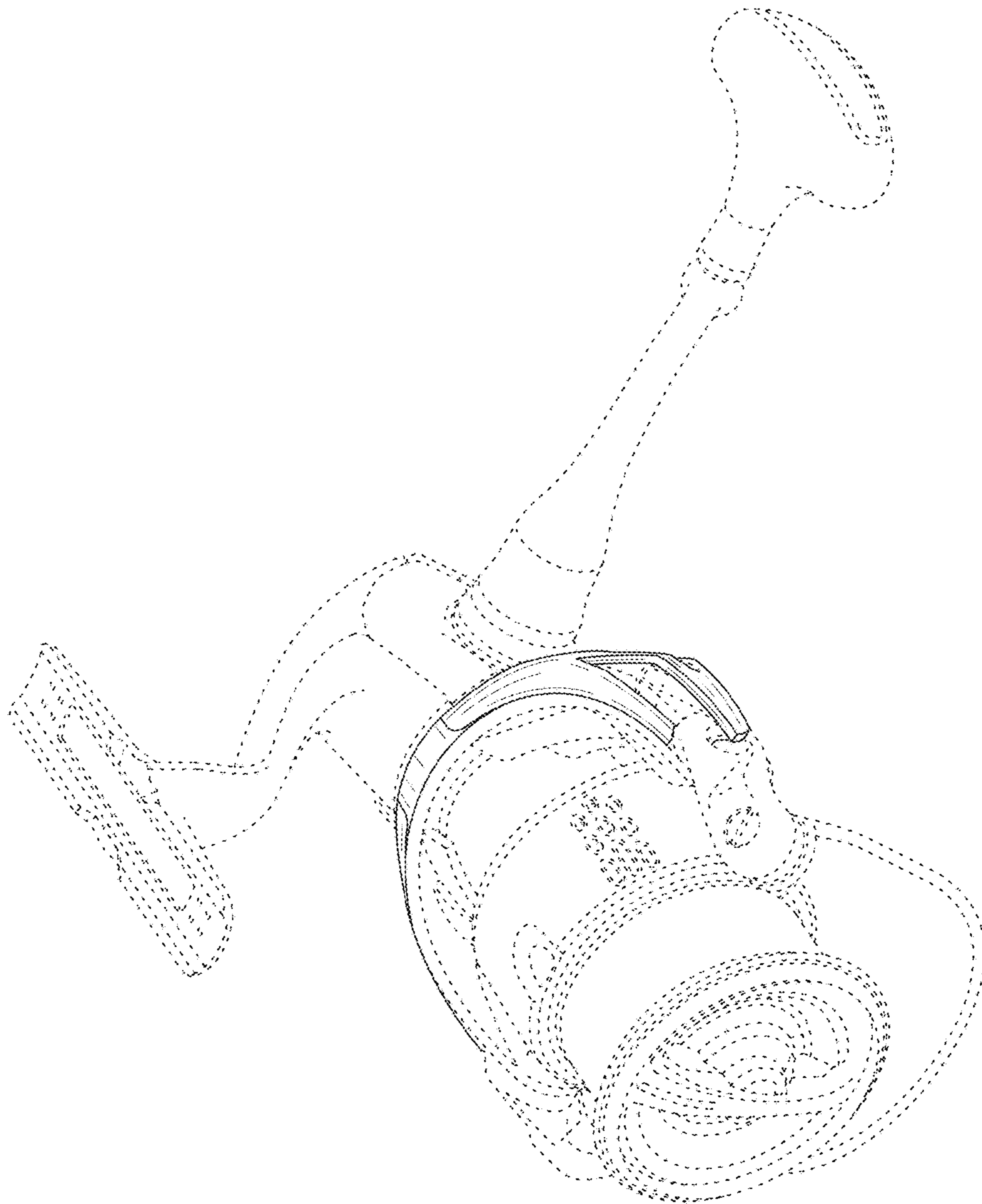


FIG. 1

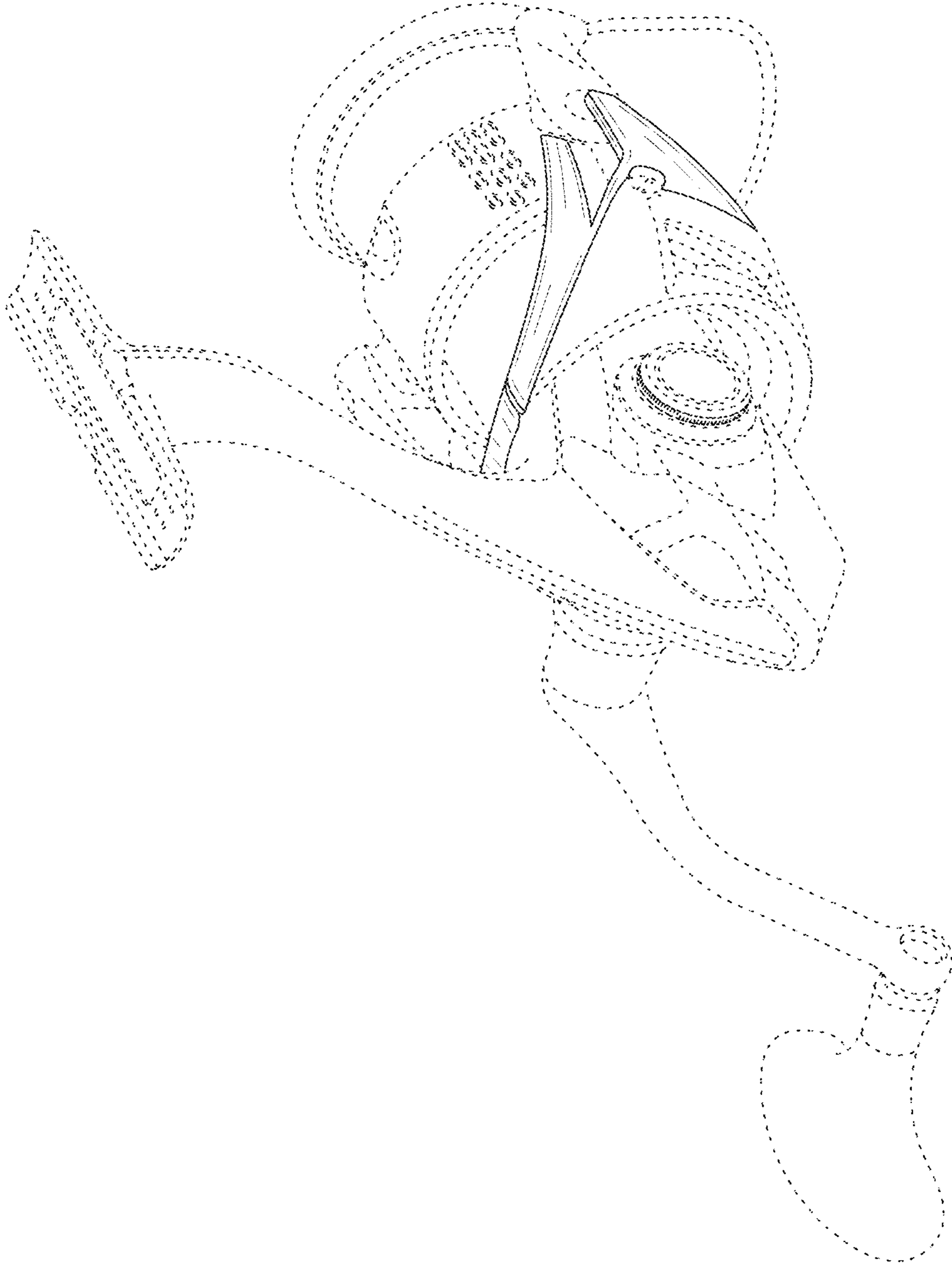


FIG. 2

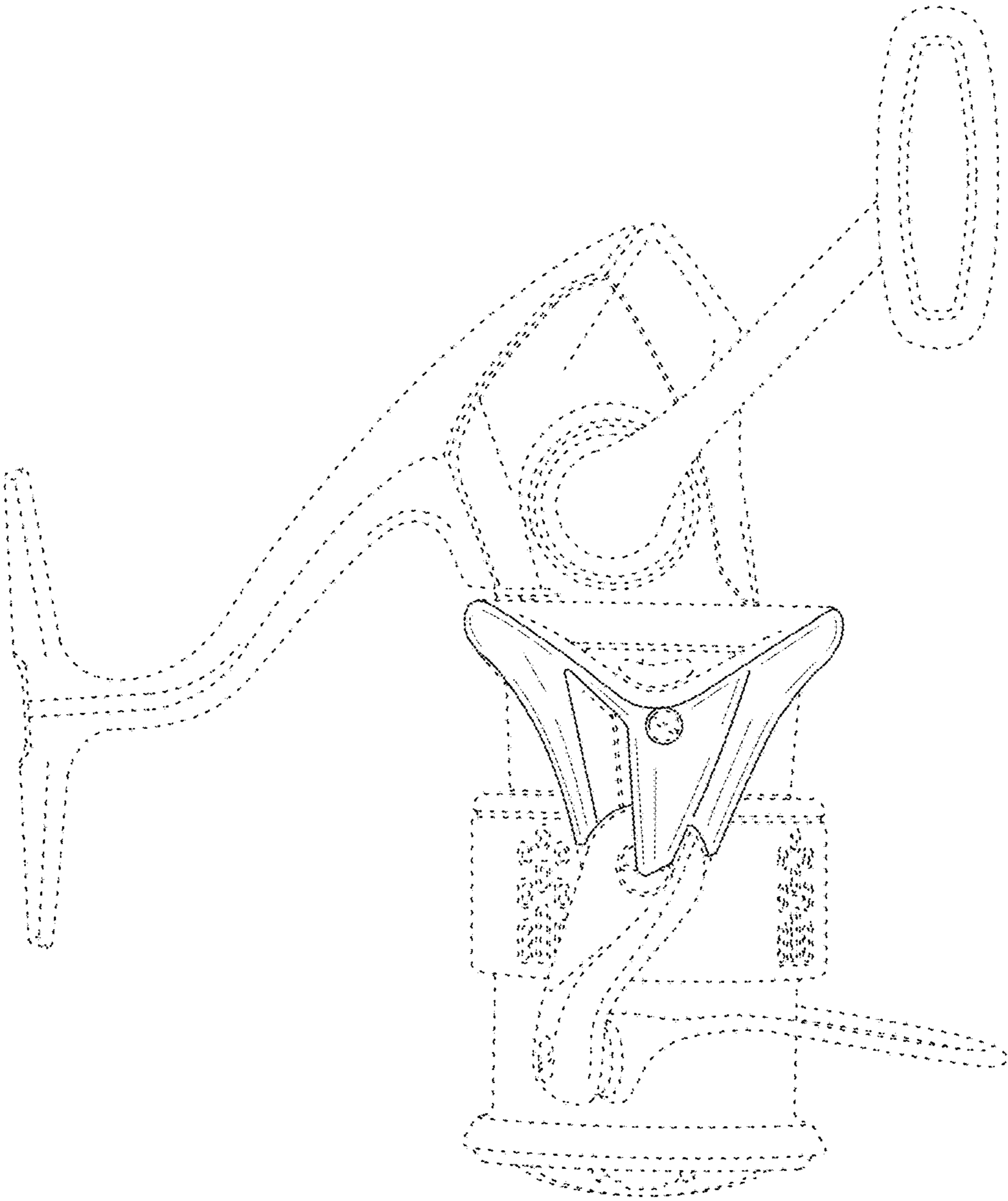


FIG. 3

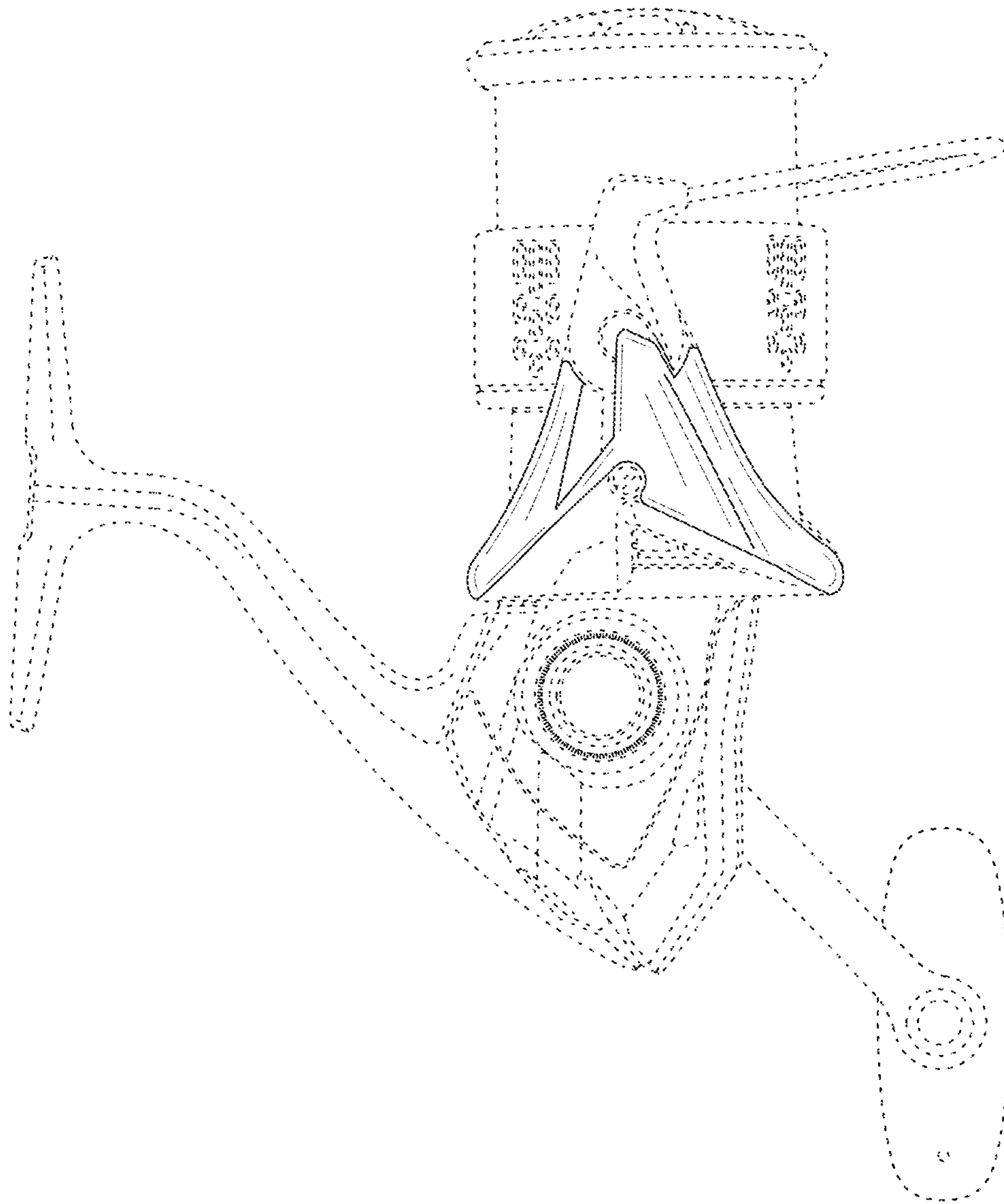


FIG. 4

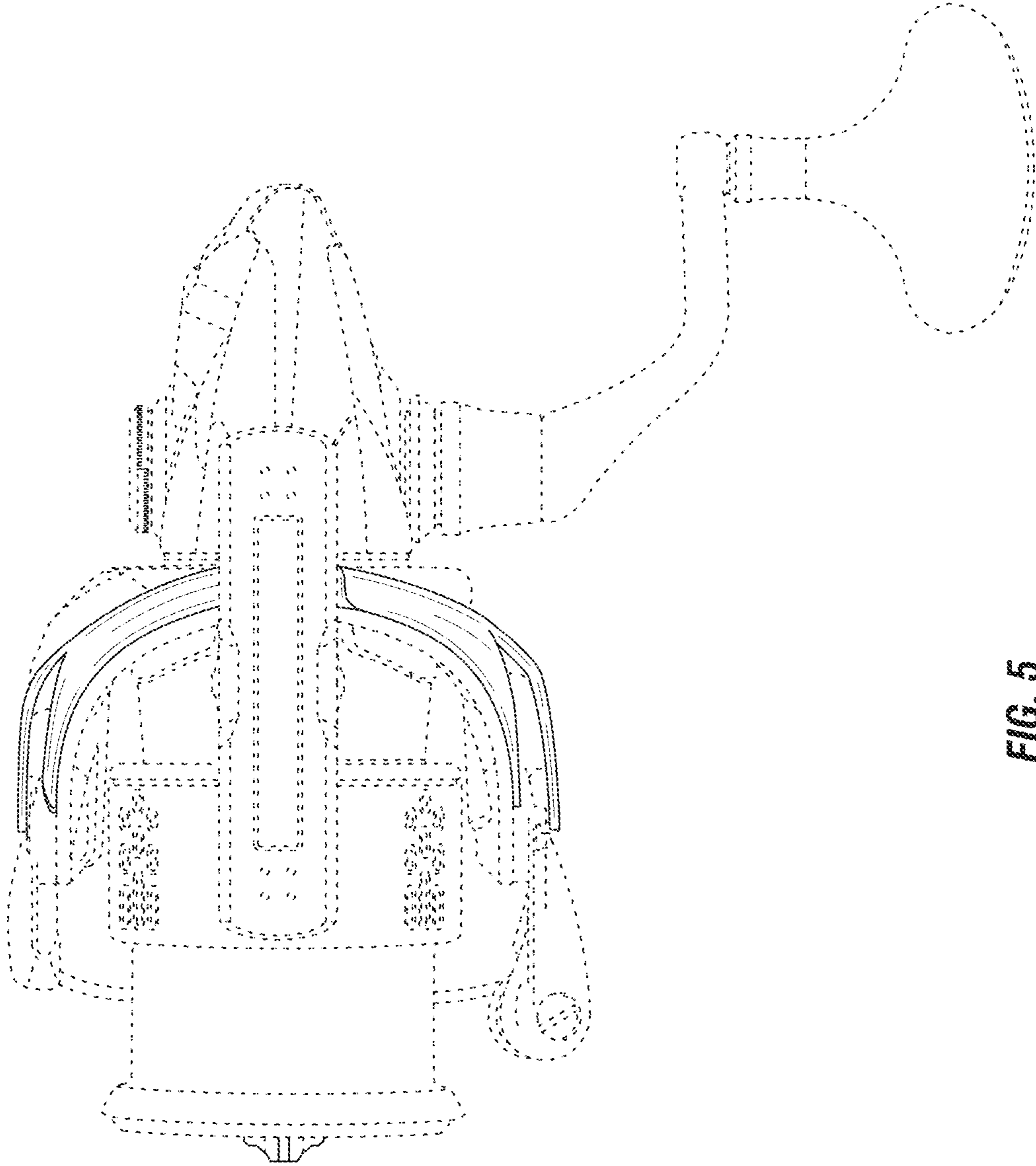


FIG. 5

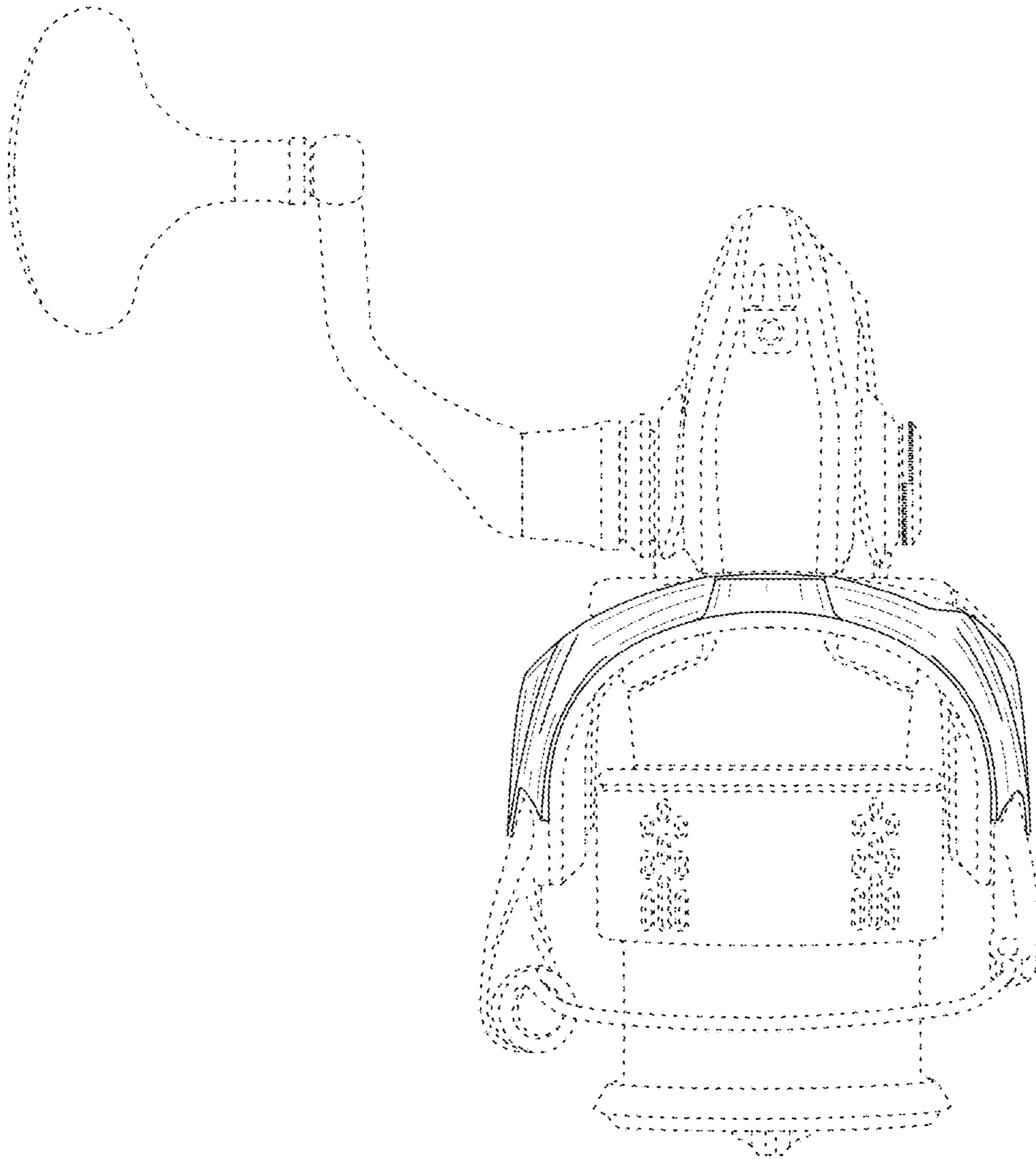


FIG. 6

FIG. 7

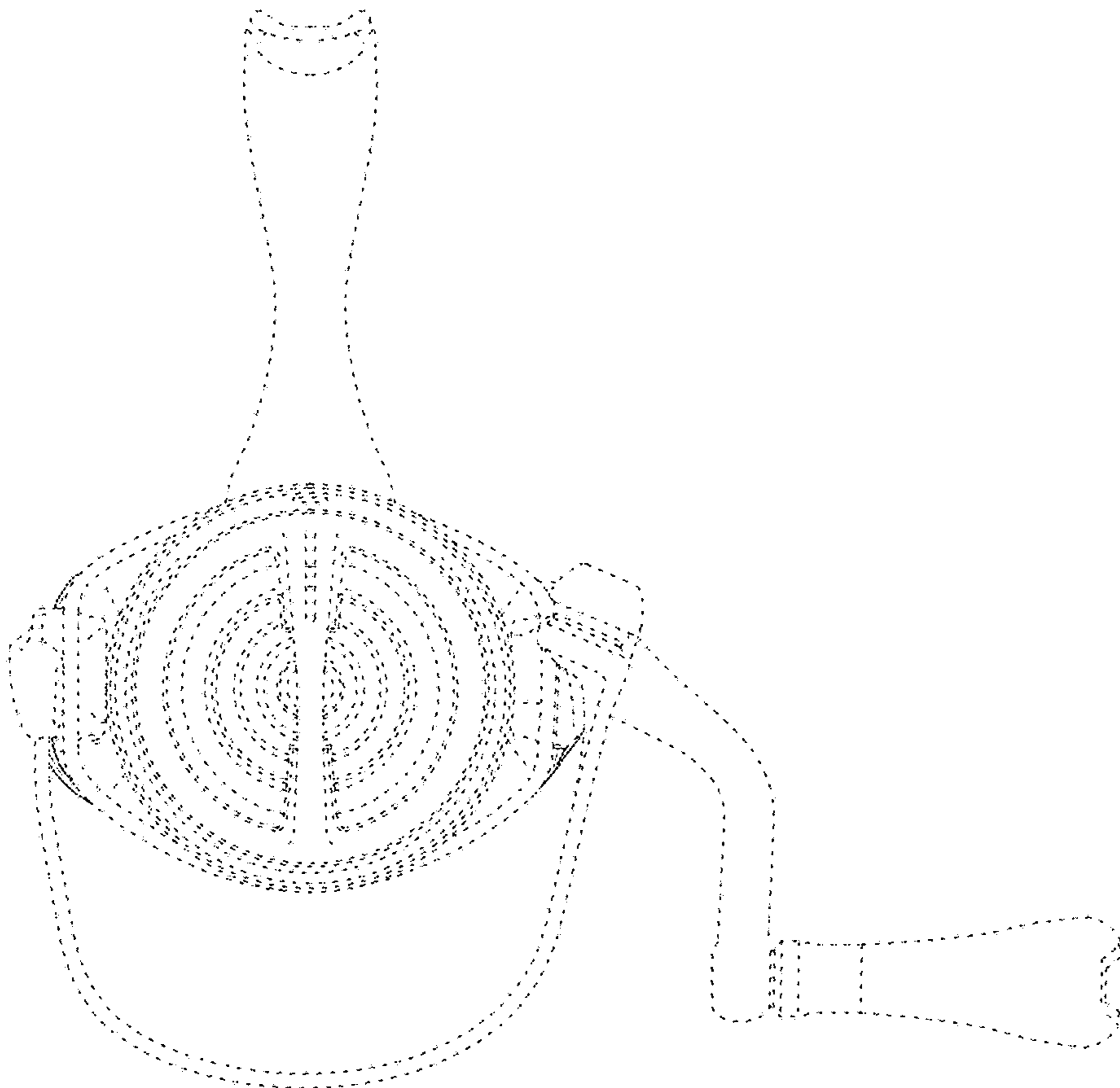
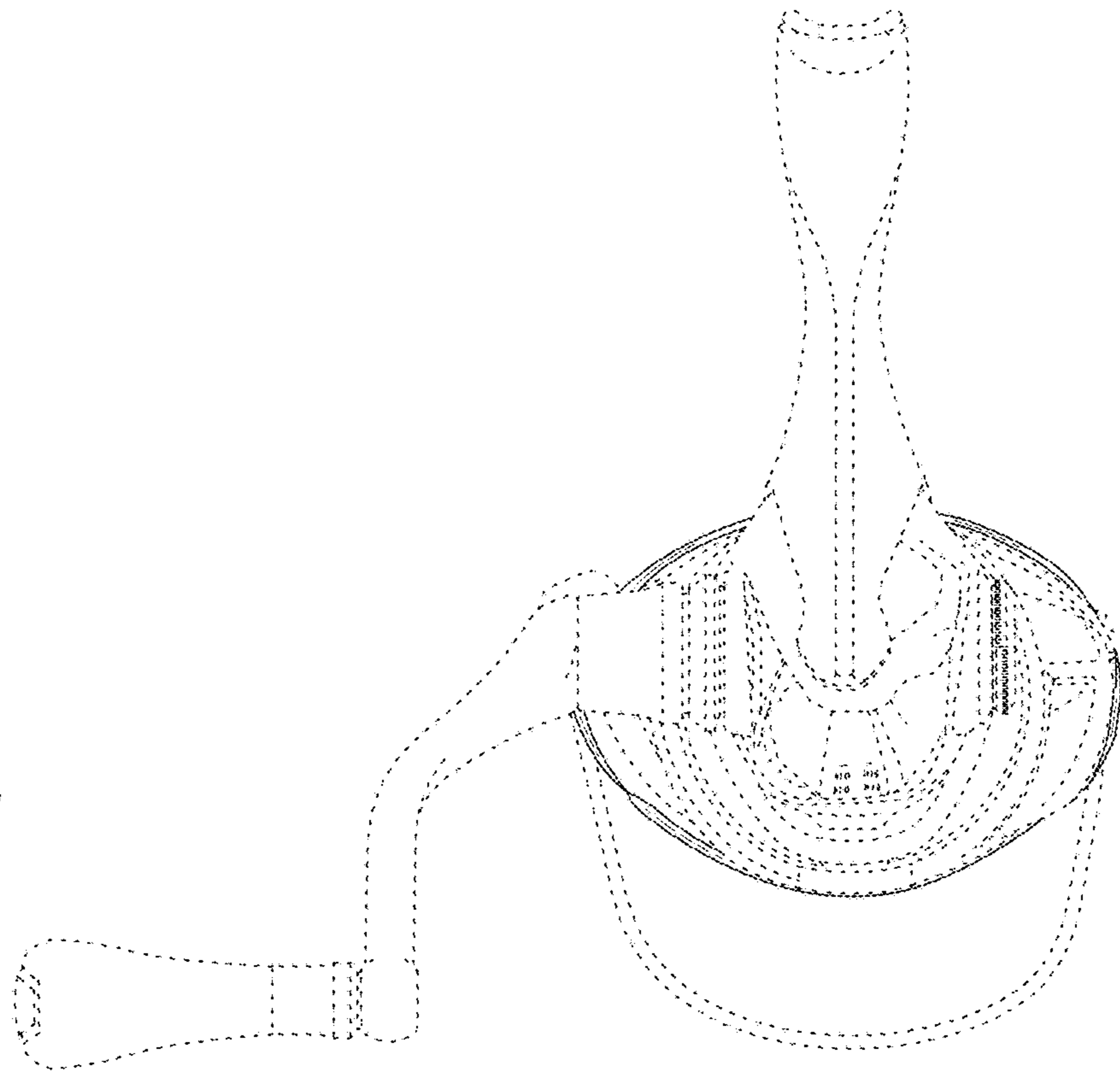


FIG. 8

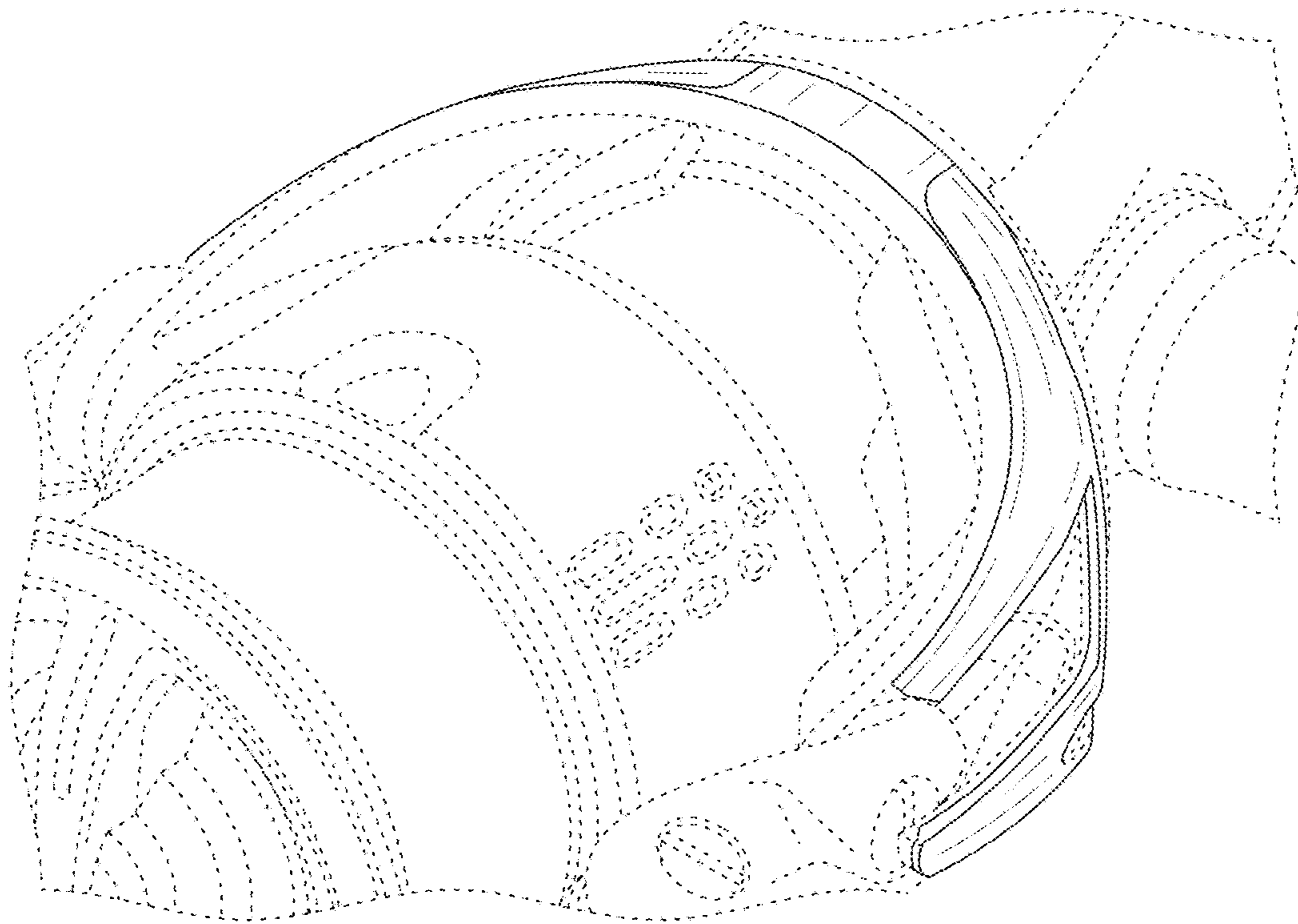


FIG. 9

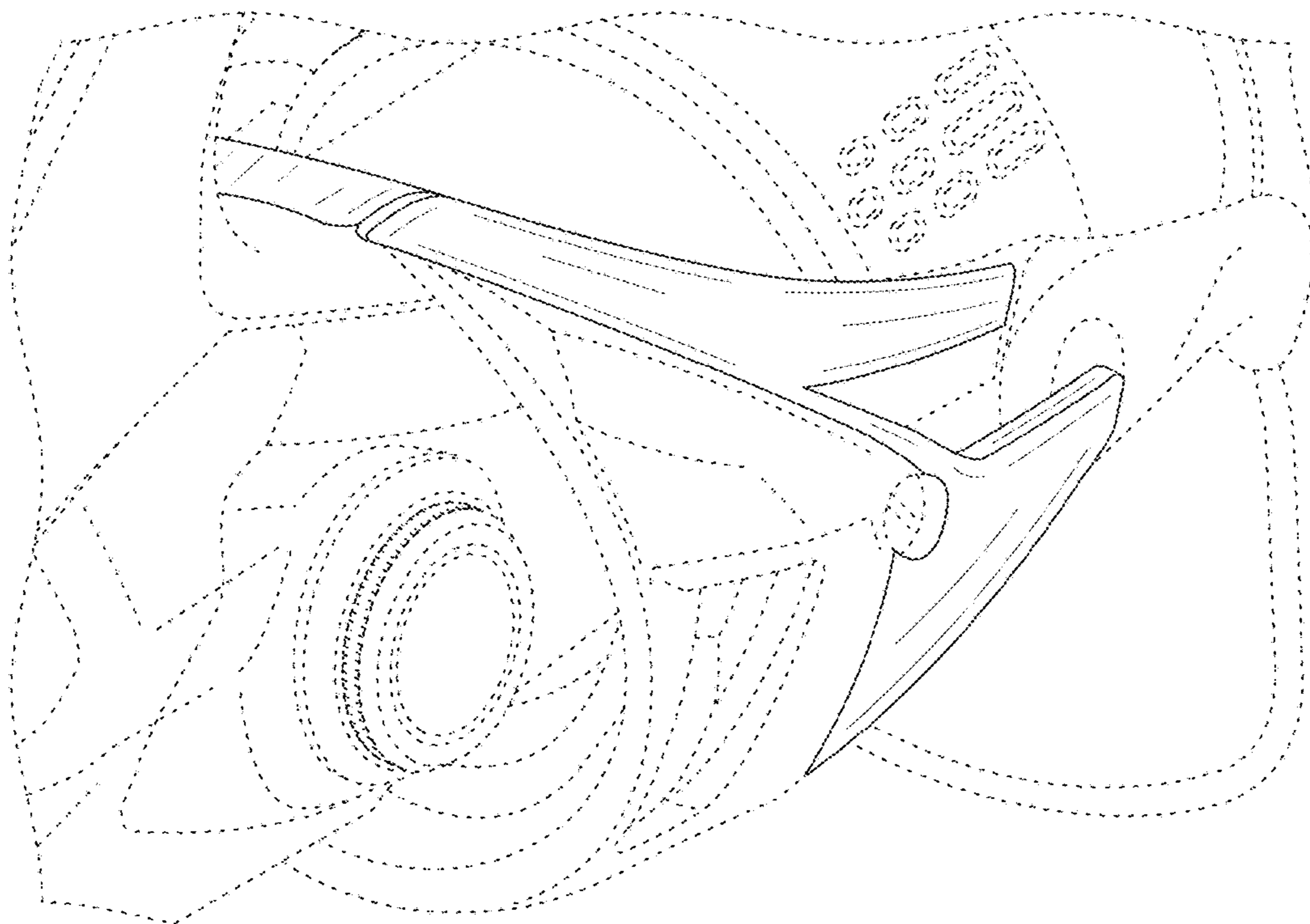


FIG. 10

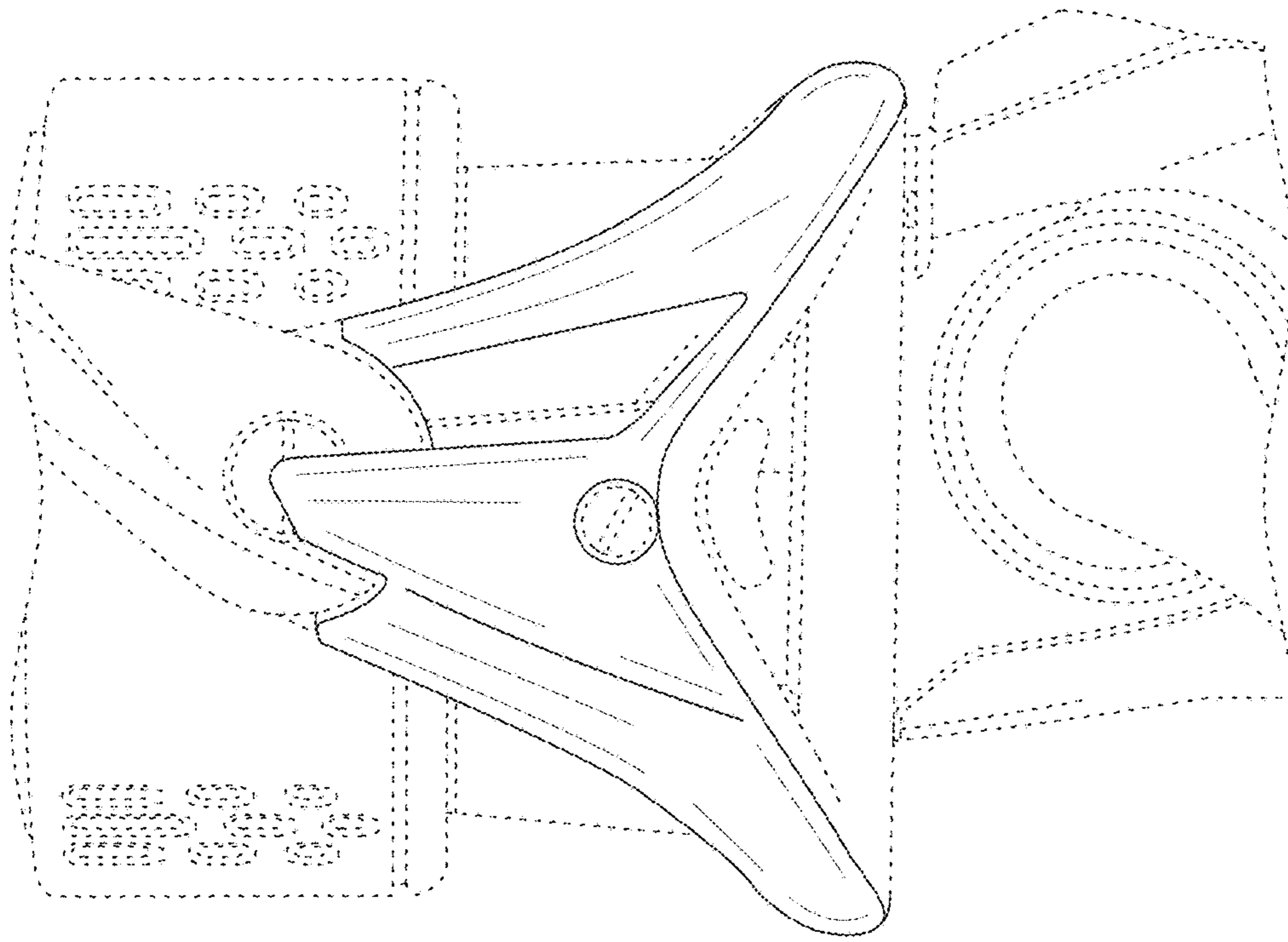


FIG. 11

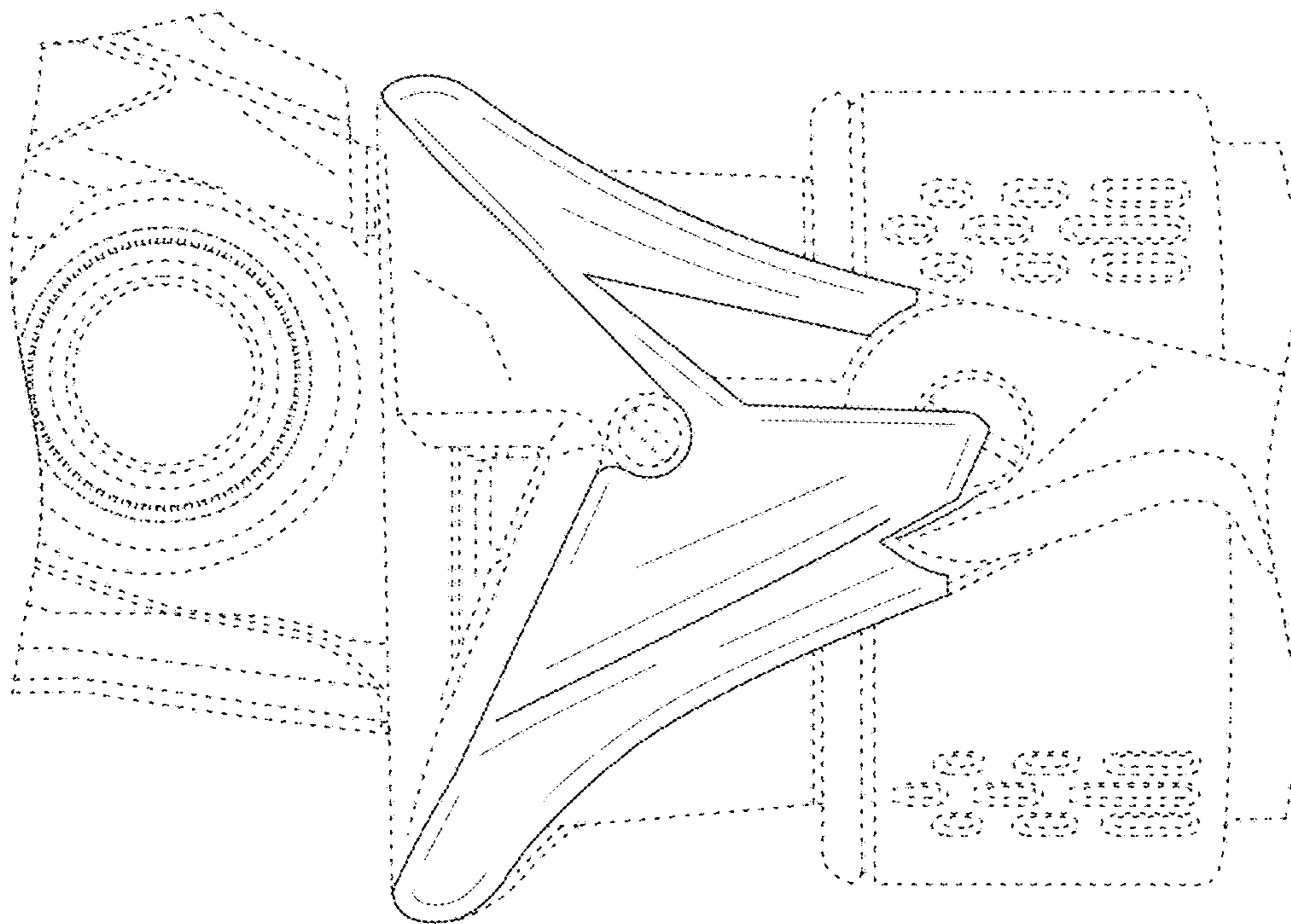


FIG. 12

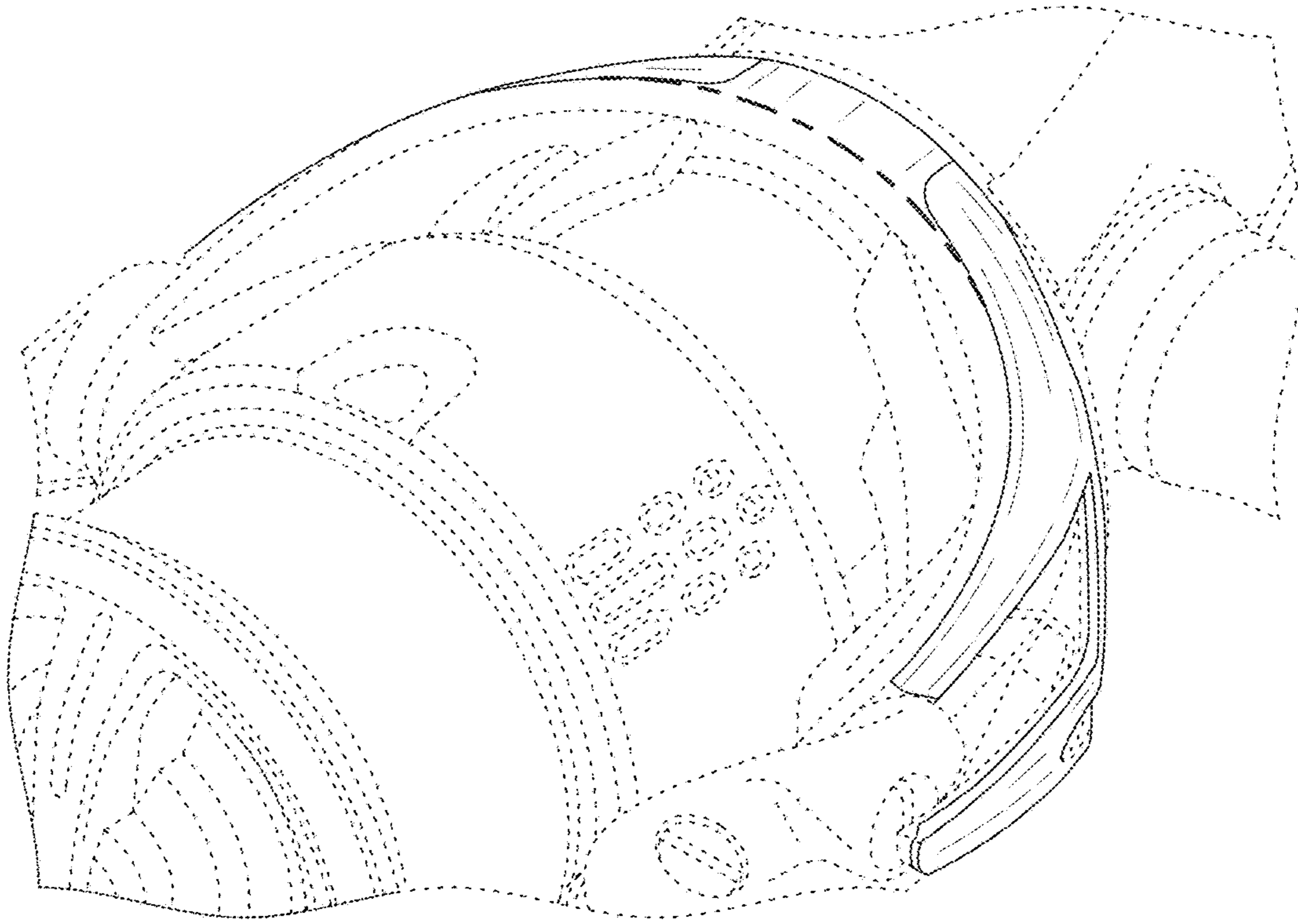


FIG. 13

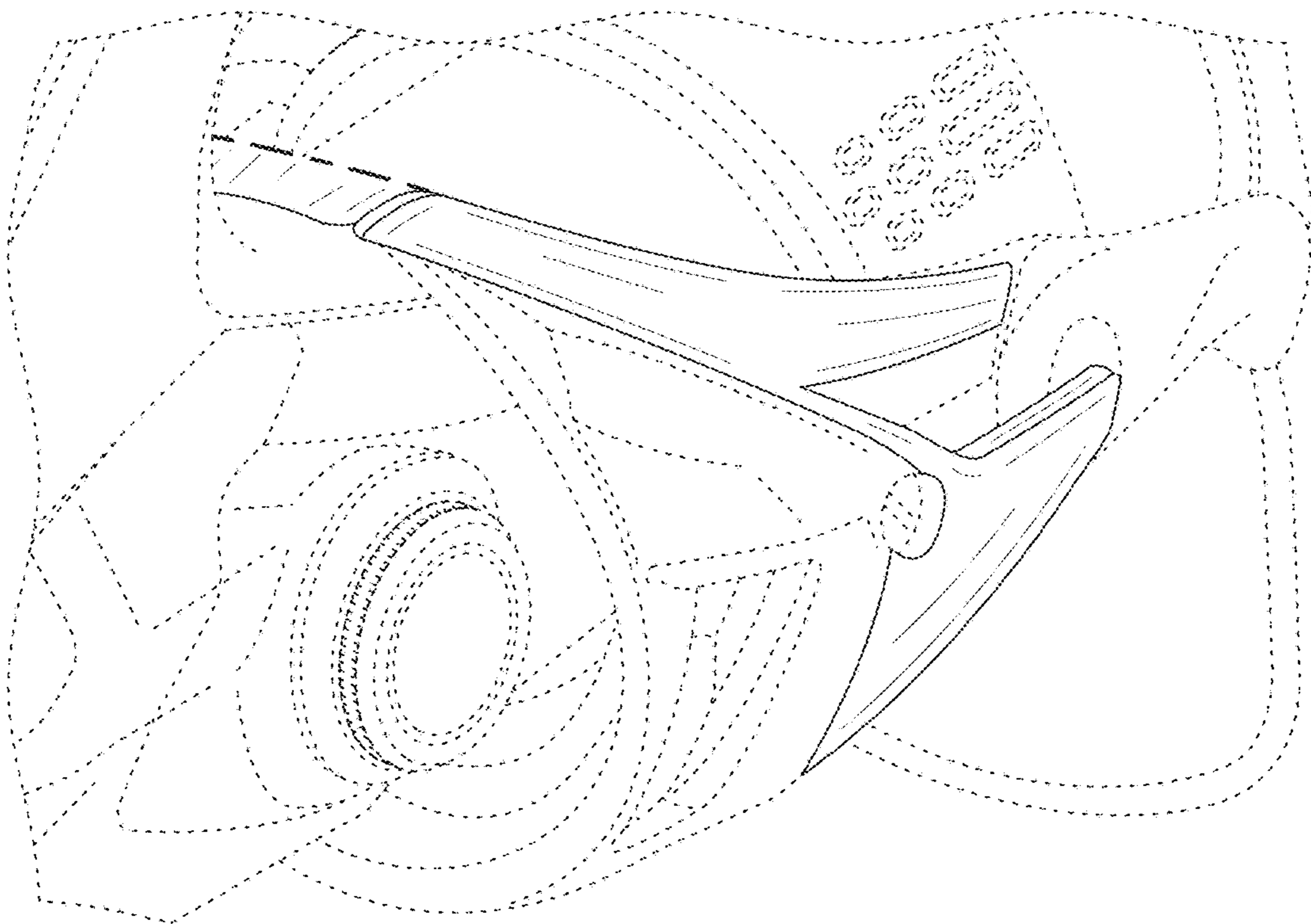


FIG. 14

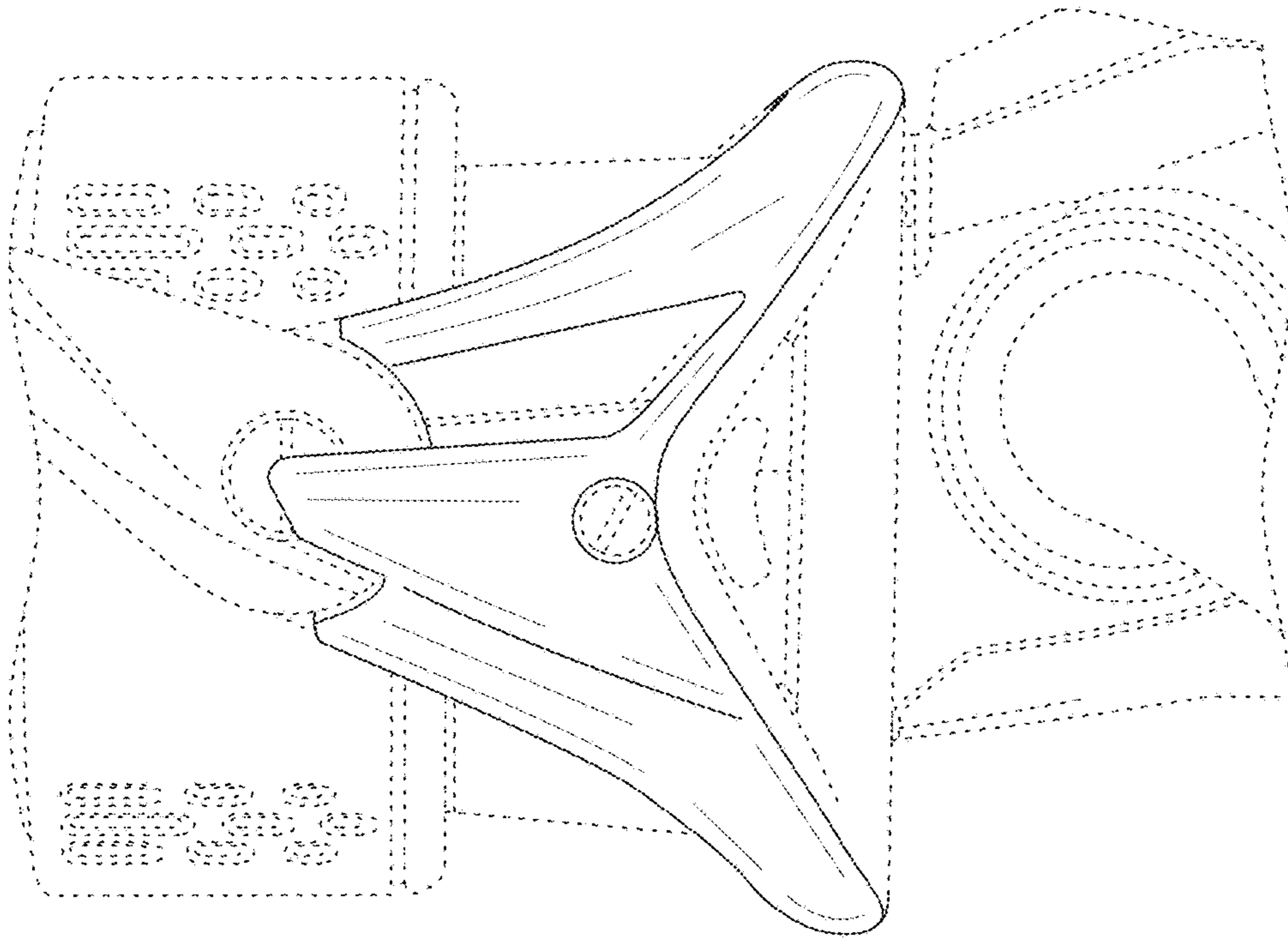


FIG. 15

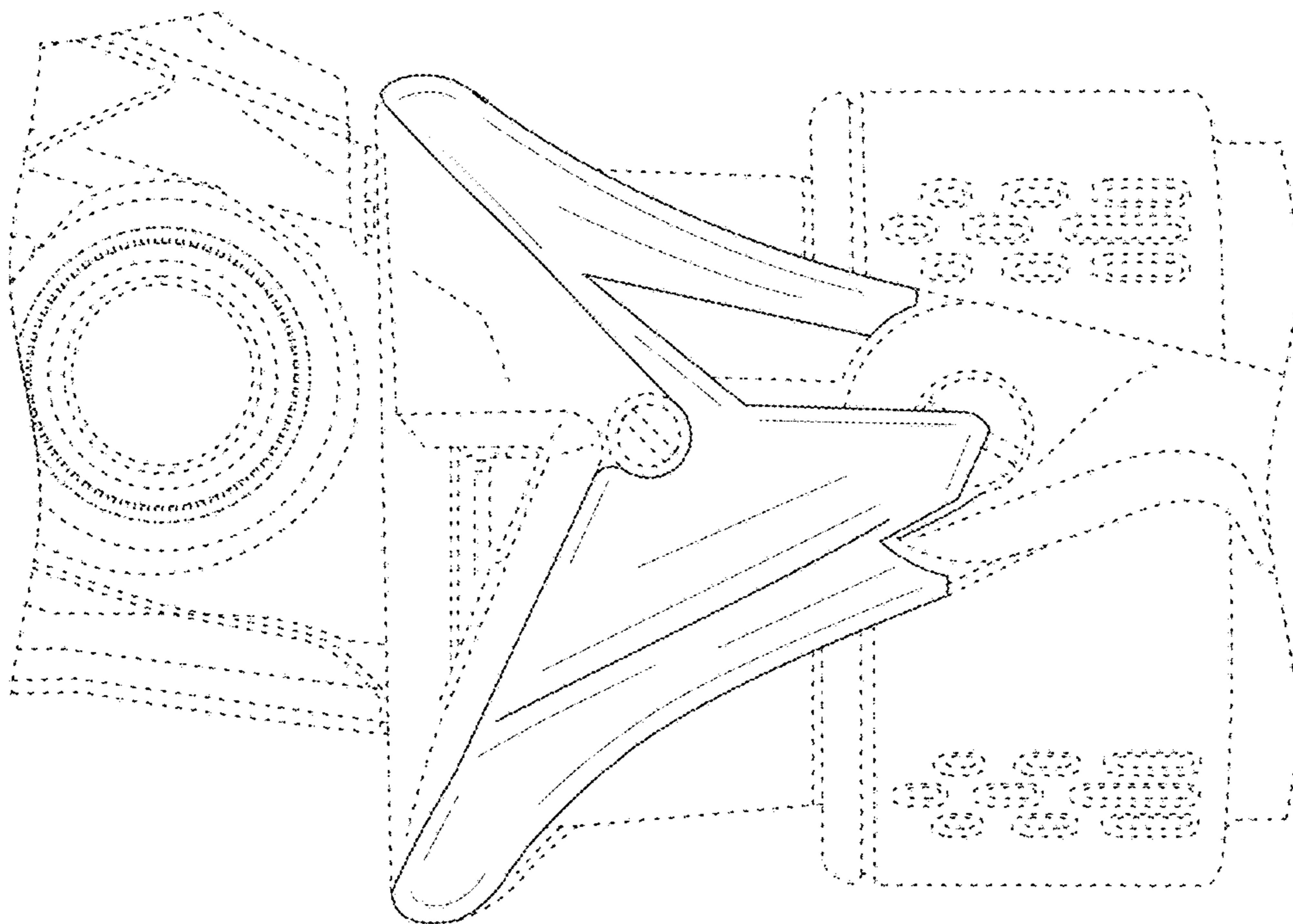


FIG. 16