



US00D846064S

(12) **United States Design Patent** (10) **Patent No.:** **US D846,064 S**
Deguchi (45) **Date of Patent:** **** Apr. 16, 2019**

(54) **FISHING REEL PORTION**

(71) Applicant: **Shimano Inc.**, Sakai, Osaka (JP)

(72) Inventor: **Tomoya Deguchi**, Osaka (JP)

(73) Assignee: **Shimano Inc.**, Osaka (JP)

(**) Term: **15 Years**

(21) Appl. No.: **29/639,037**

(22) Filed: **Mar. 2, 2018**

(30) **Foreign Application Priority Data**

Dec. 20, 2017 (JP) 2017-028360

(51) **LOC (11) Cl.** **22-05**

(52) **U.S. Cl.**
USPC **D22/141**

(58) **Field of Classification Search**
USPC D22/137-141; 242/310-312, 316, 323;
43/19-21
CPC A01K 89/00; A01K 89/01121; A01K
89/0114
See application file for complete search history.

(56) **References Cited**

U.S. PATENT DOCUMENTS

D496,427 S * 9/2004 Sakurai D22/140
D521,104 S * 5/2006 Wong D22/140
D674,867 S 1/2013 Tabuse et al.
D724,175 S 3/2015 Deguchi et al.

(Continued)

FOREIGN PATENT DOCUMENTS

JP 1558666 S 9/2016

Primary Examiner — Catherine R Oliver-Garcia

(74) *Attorney, Agent, or Firm* — Global IP Counselors, LLP

(57) **CLAIM**

An ornamental design for a fishing reel portion, as shown and described.

DESCRIPTION

FIG. 1 is a first perspective view of a fishing reel that includes a fishing reel portion in accordance with my new design;

FIG. 2 is a second perspective view of the fishing reel illustrated in FIG. 1 that includes the fishing reel portion;

FIG. 3 is a left side elevational view of the fishing reel illustrated in FIG. 1 that includes the fishing reel portion;

FIG. 4 is a right side elevational view of the fishing reel illustrated in FIG. 1 with the fishing reel portion completely hidden from sight;

FIG. 5 is a top plan view of the fishing reel illustrated in FIG. 1 with the fishing reel portion completely hidden from sight;

FIG. 6 is a bottom plan view of the fishing reel illustrated in FIG. 1 with the fishing reel portion completely hidden from sight;

FIG. 7 is a rear elevational view of the fishing reel illustrated in FIG. 1 with the fishing reel portion completely hidden from sight;

FIG. 8 is a front elevational view of the fishing reel illustrated in FIG. 1 with the fishing reel portion completely hidden from sight;

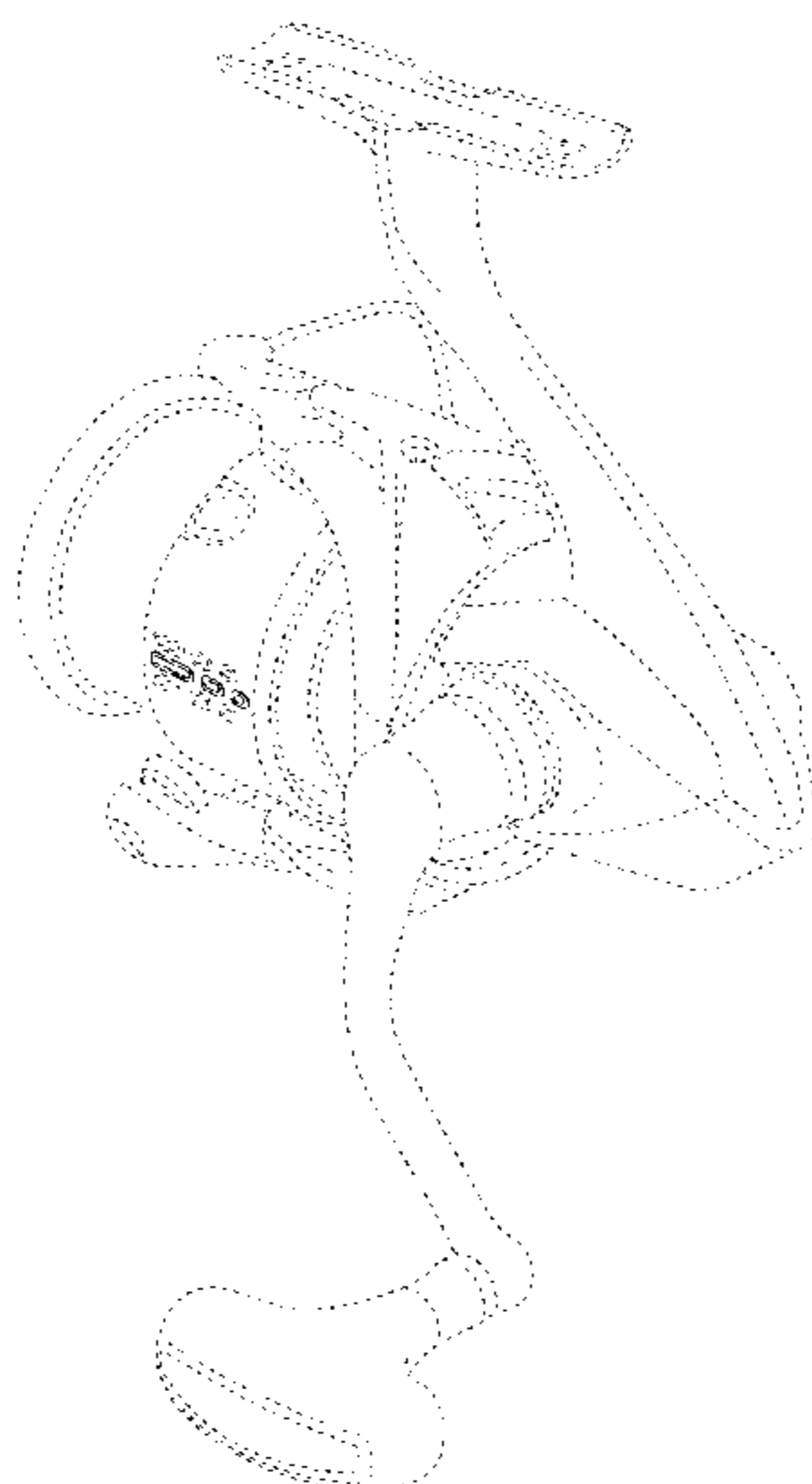
FIG. 9 is an enlarged, partial perspective view of a portion of the fishing reel illustrated in FIG. 1 that includes the fishing reel portion;

FIG. 10 is an enlarged, partial perspective view of a portion of the fishing reel illustrated in FIG. 2 that includes the fishing reel portion; and,

FIG. 11 is an enlarged, partial perspective view of a portion of the fishing reel illustrated in FIG. 3 that includes the fishing reel portion.

In the drawings, the broken line illustration of the environmental structure (the remaining structure of the fishing reel) in the drawings is not part of the claimed design.

1 Claim, 9 Drawing Sheets



(56)

References Cited

U.S. PATENT DOCUMENTS

D738,458 S 9/2015 Deguchi et al.
D789,483 S * 6/2017 Koelewyn D22/141

* cited by examiner

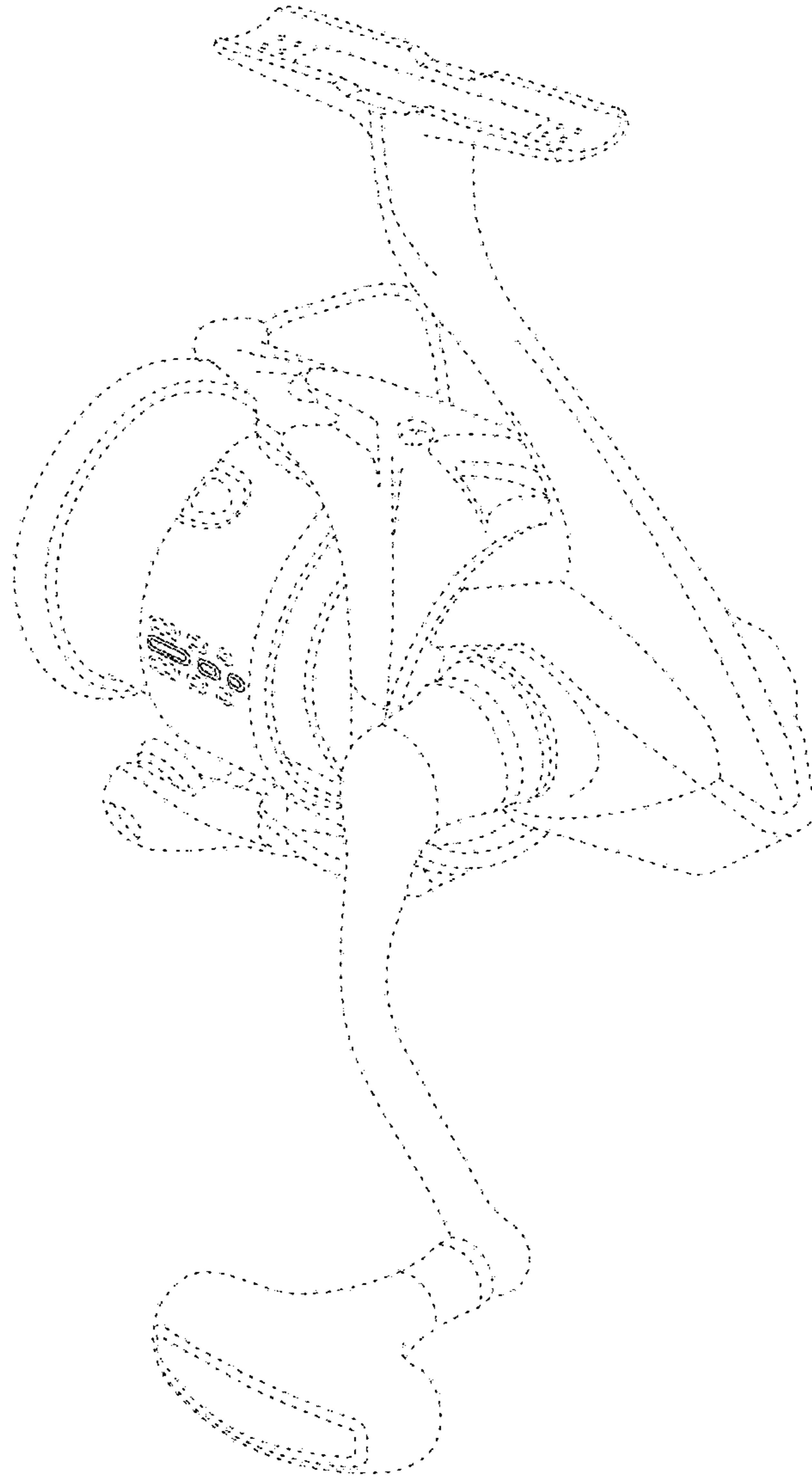


FIG. 1

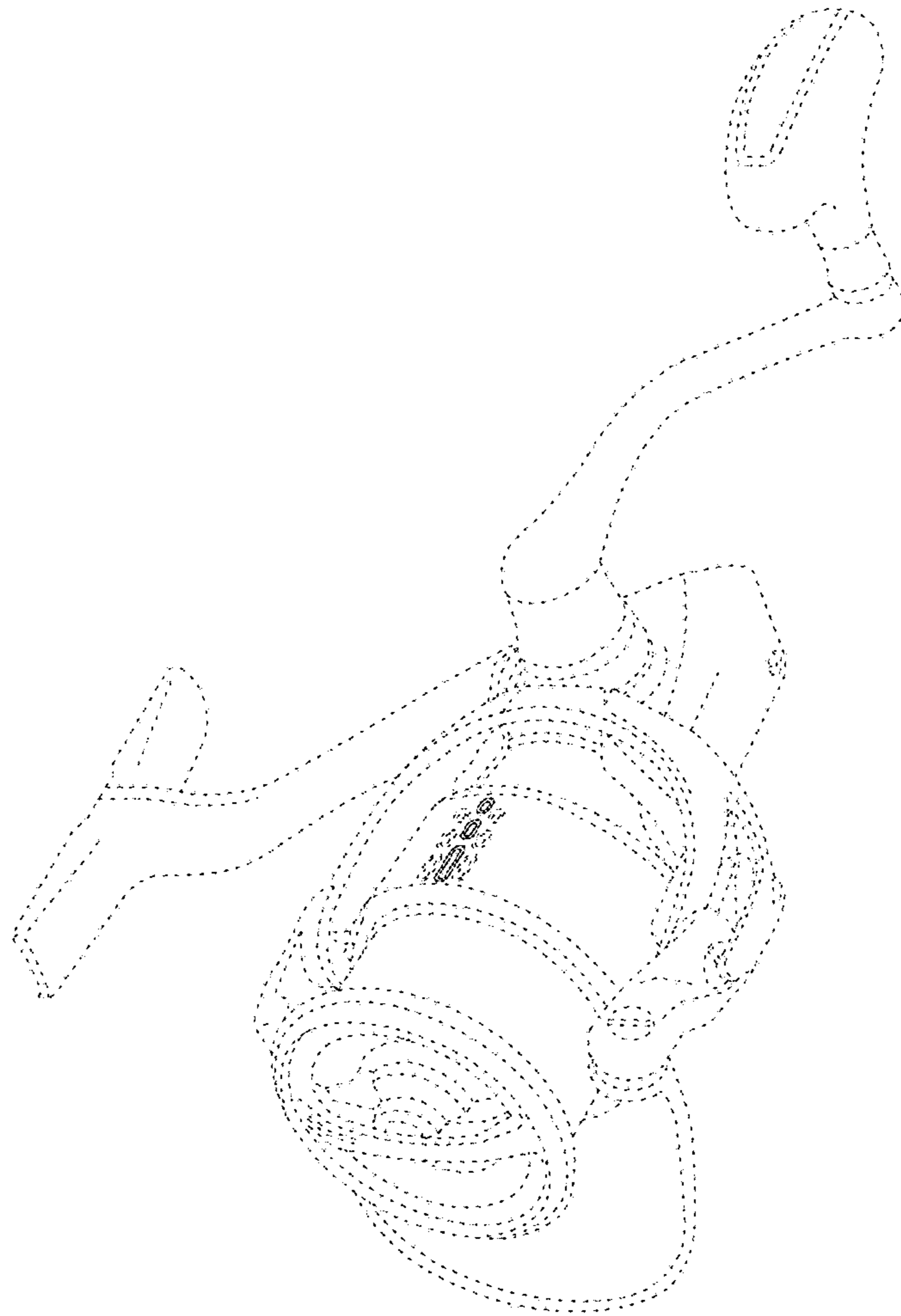


FIG. 2

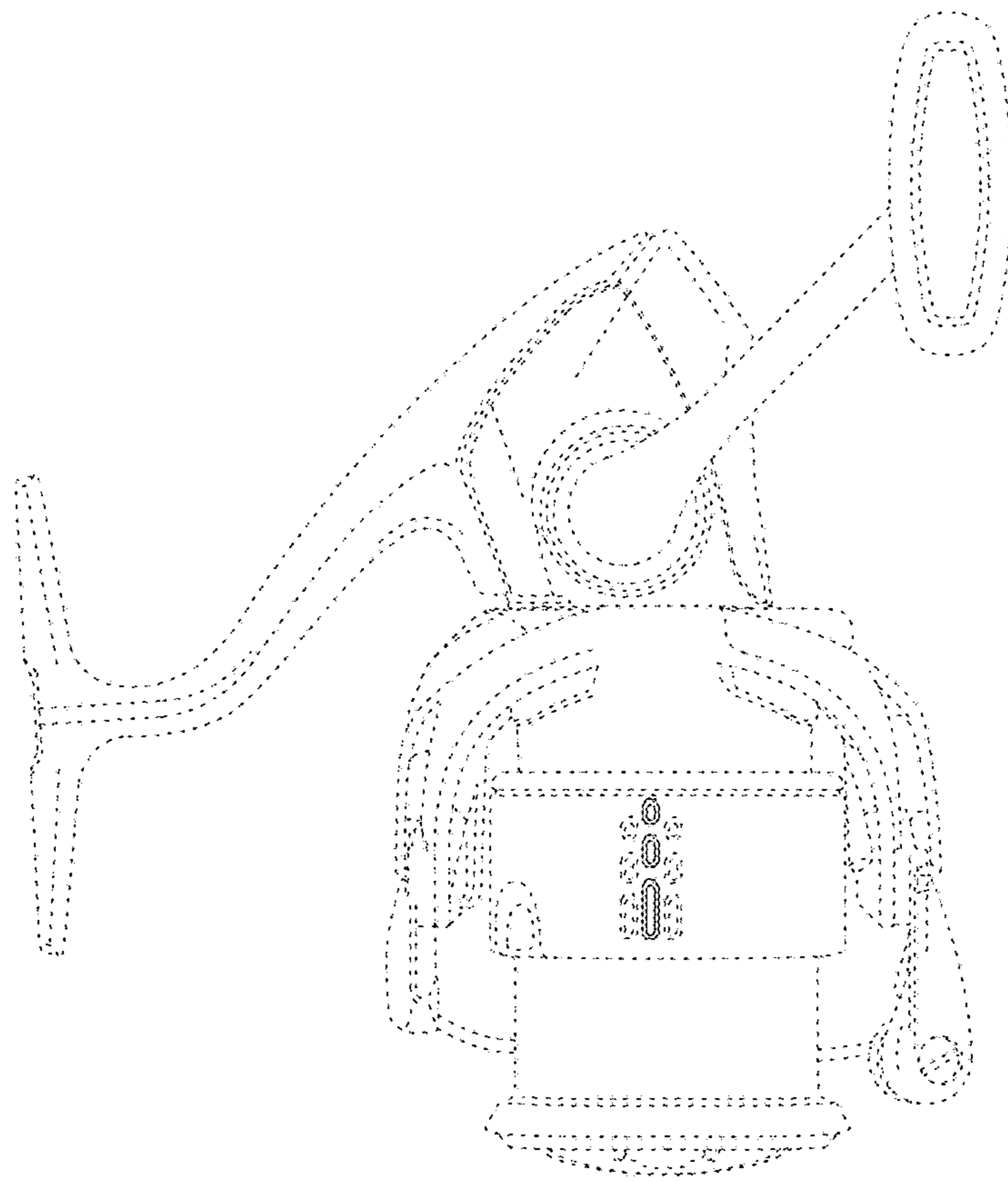


FIG. 3

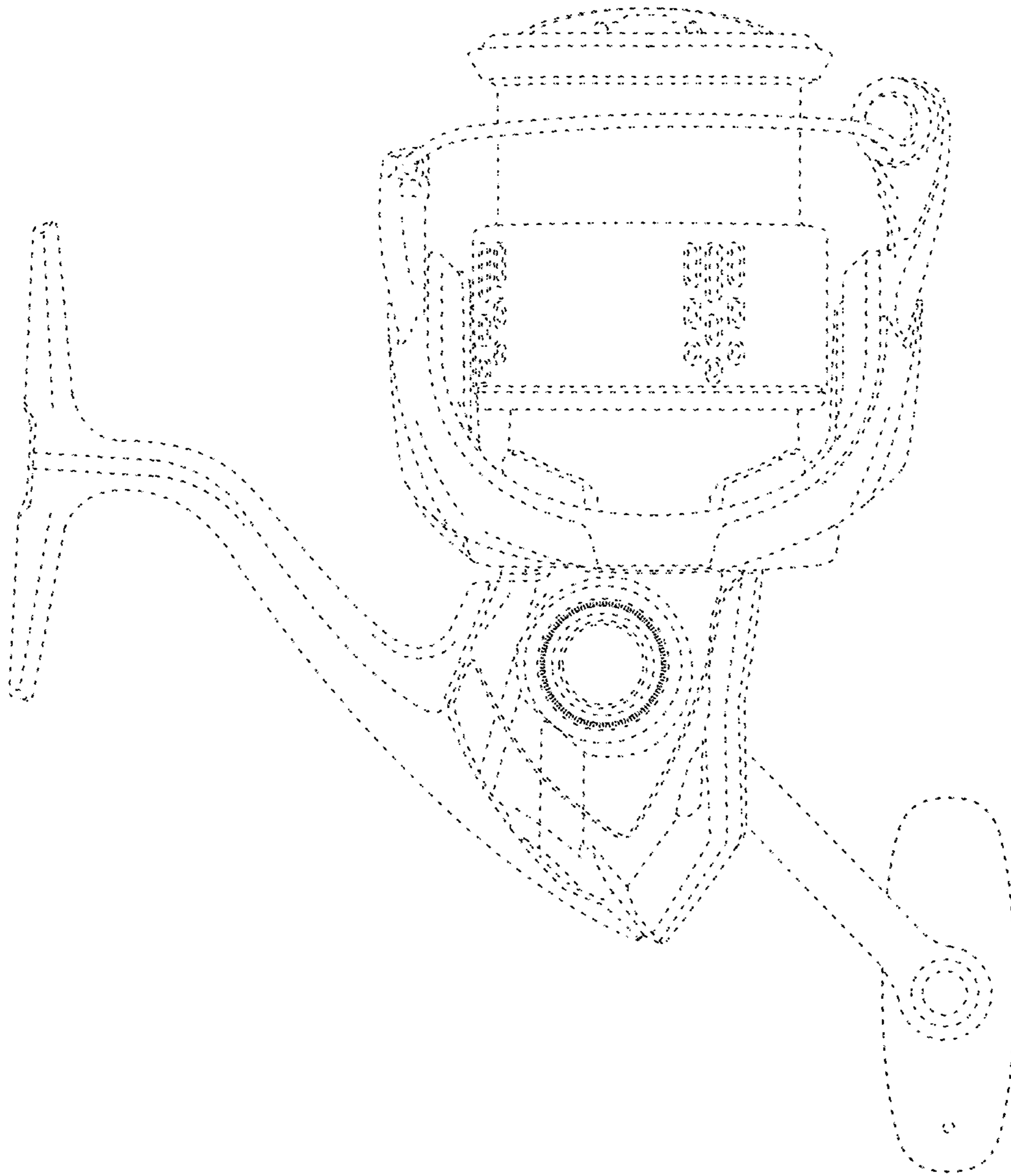


FIG. 4

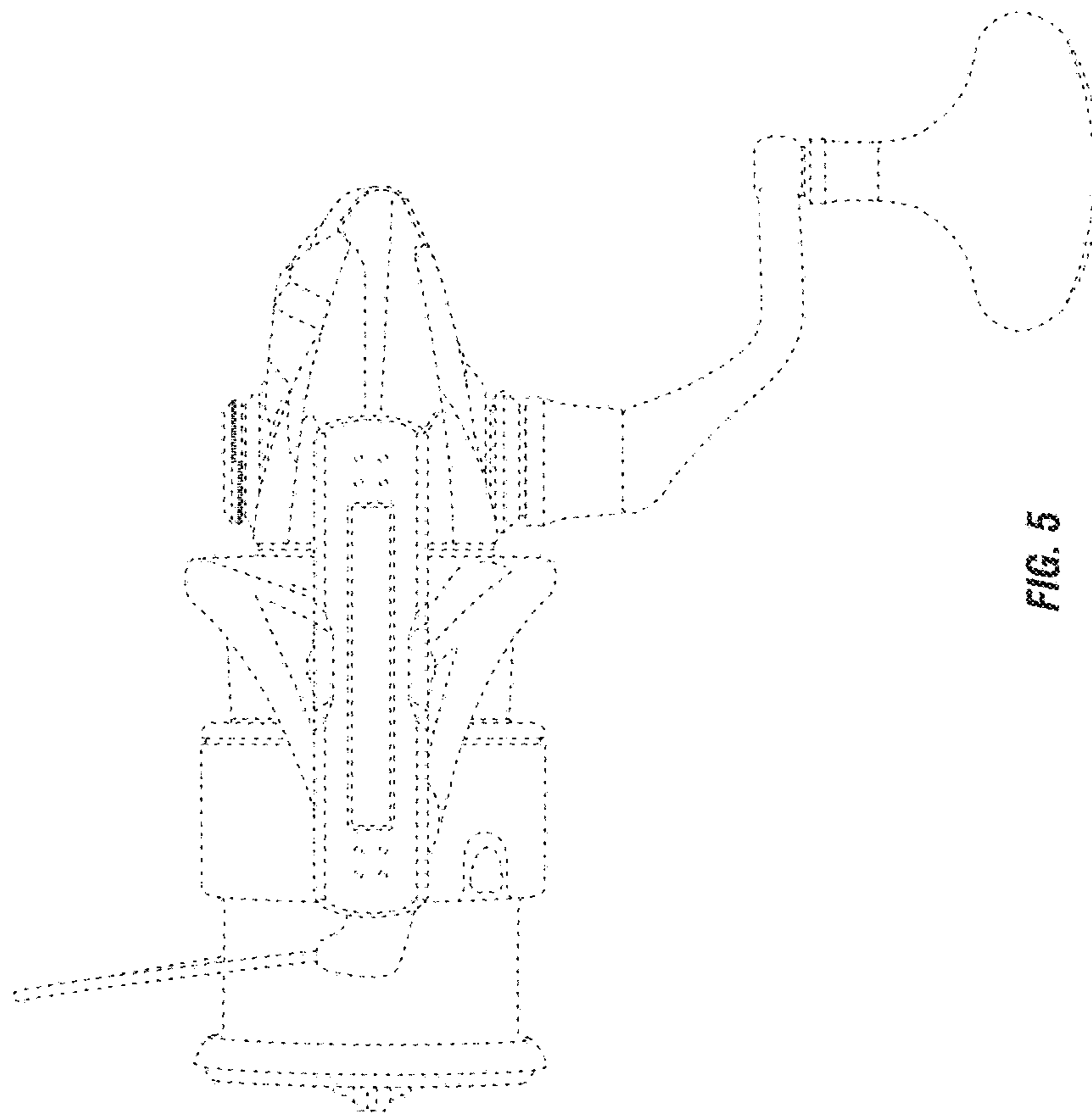


FIG. 5

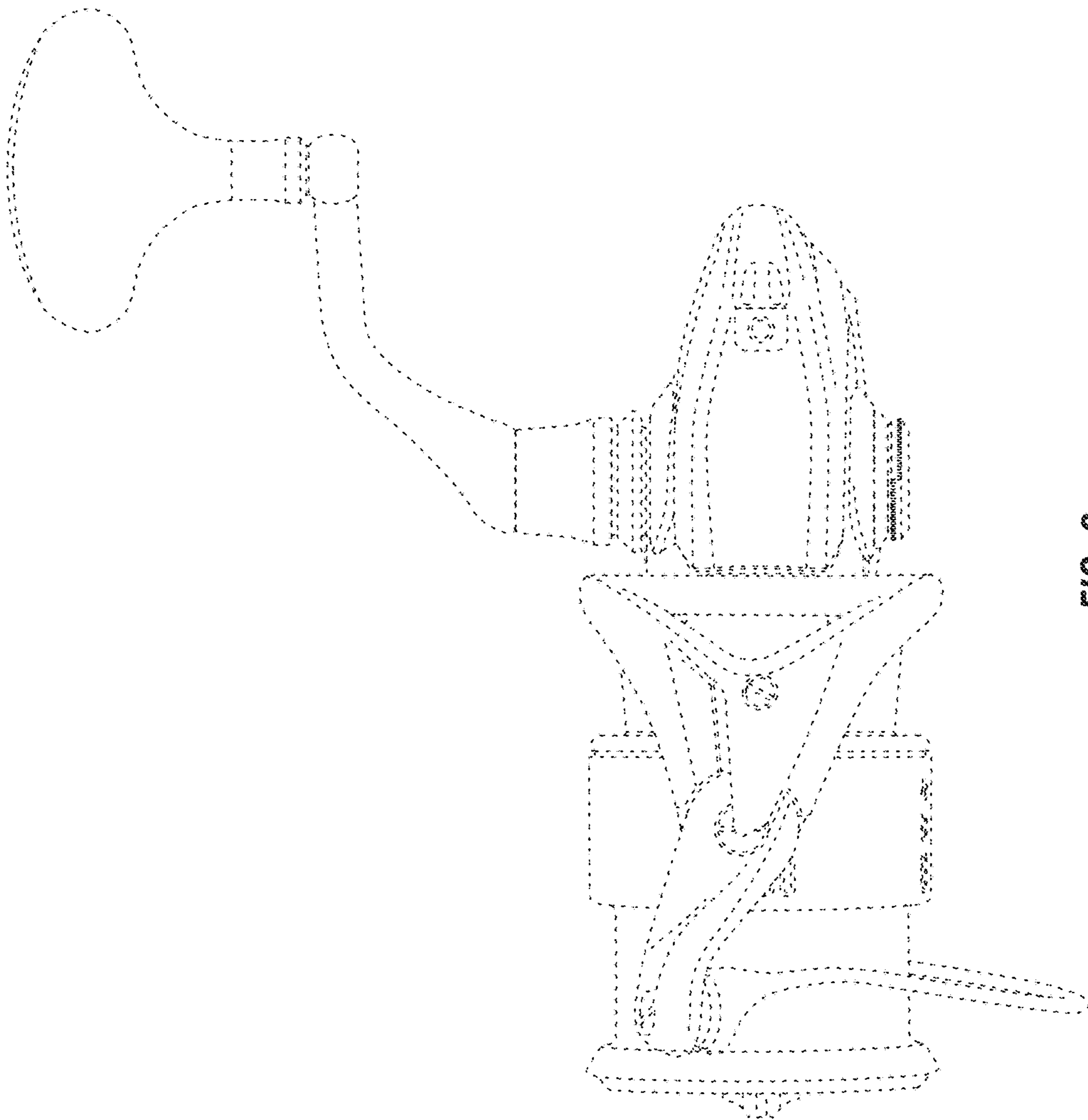


FIG. 6

FIG. 7

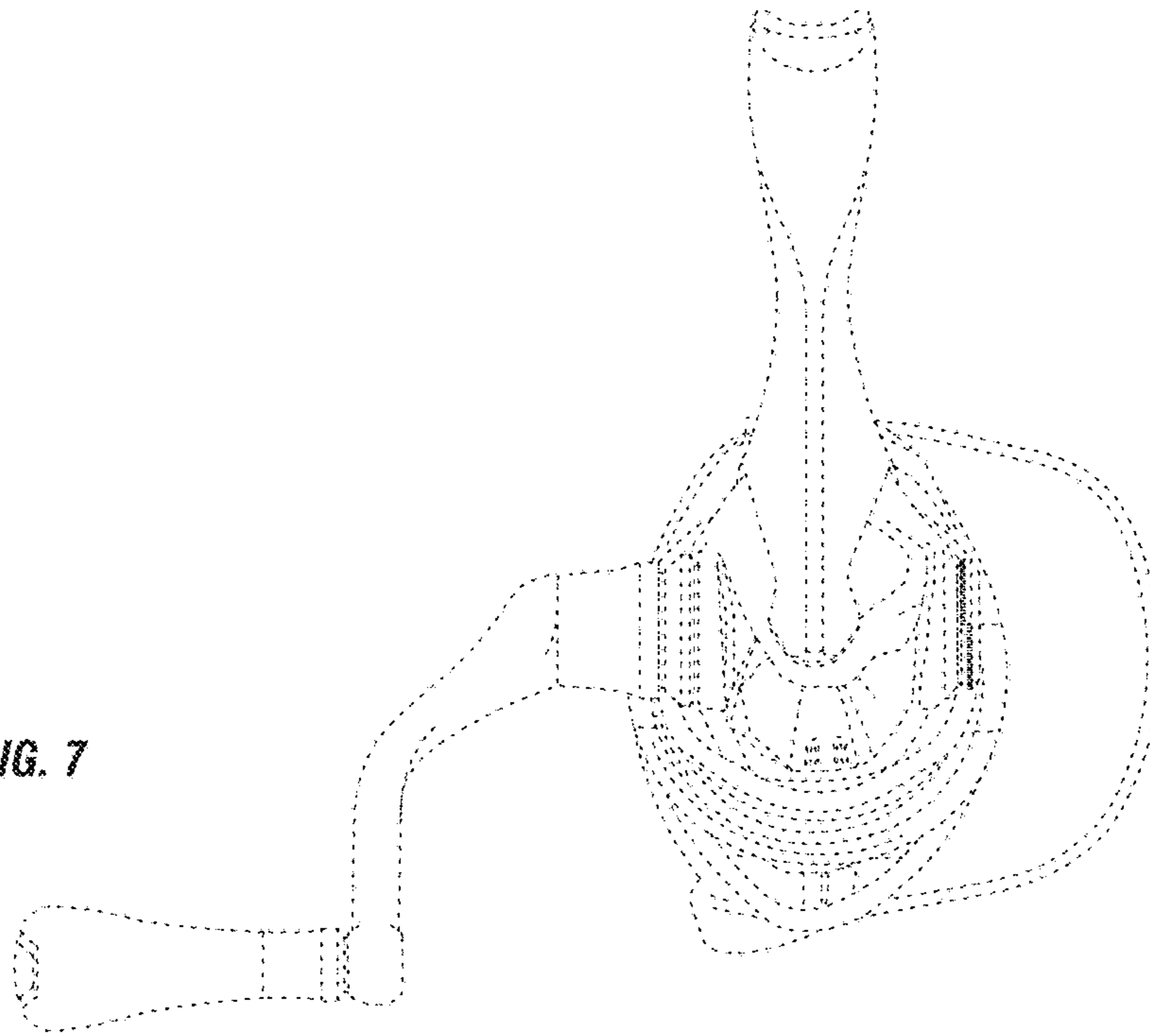
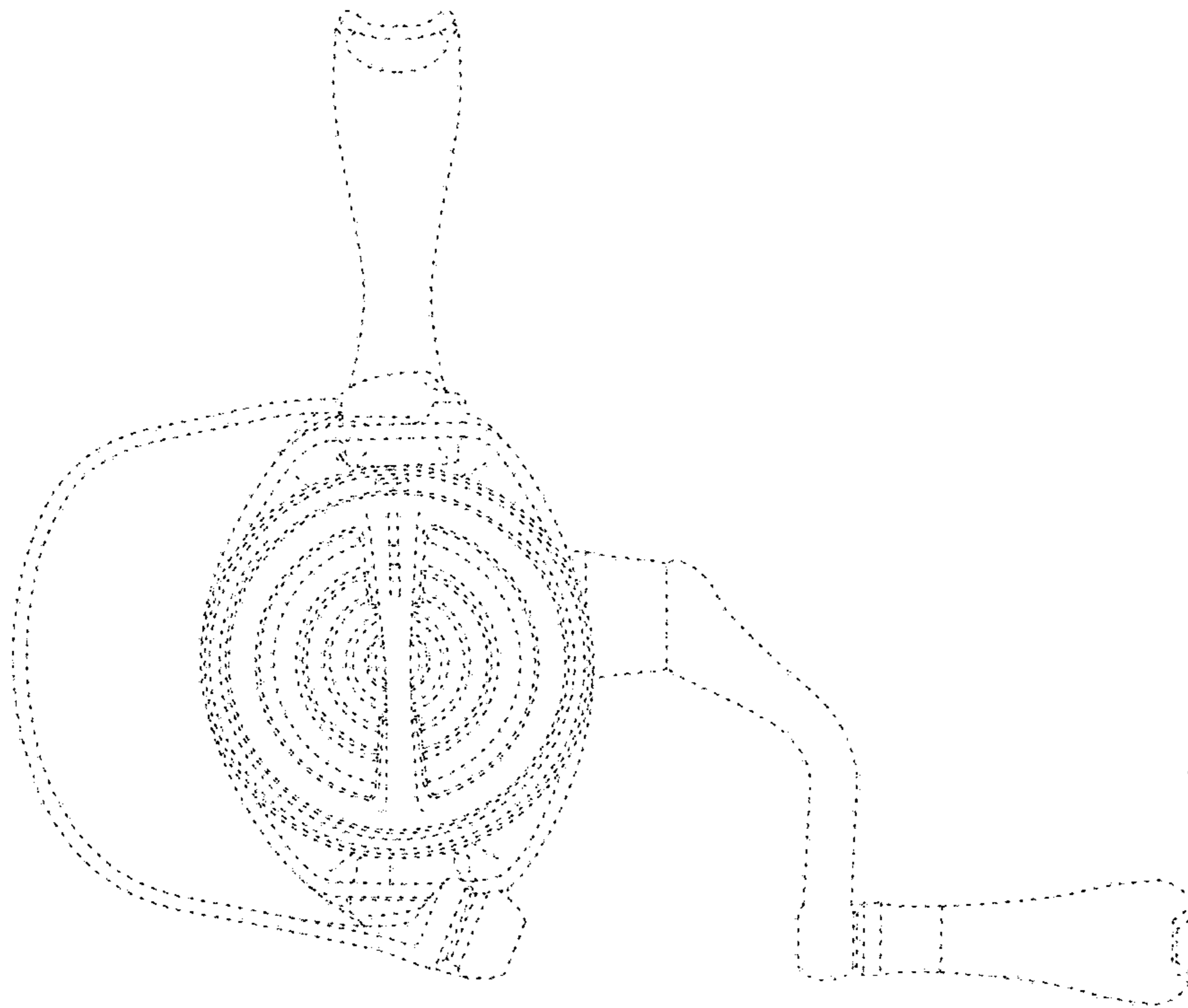


FIG. 8



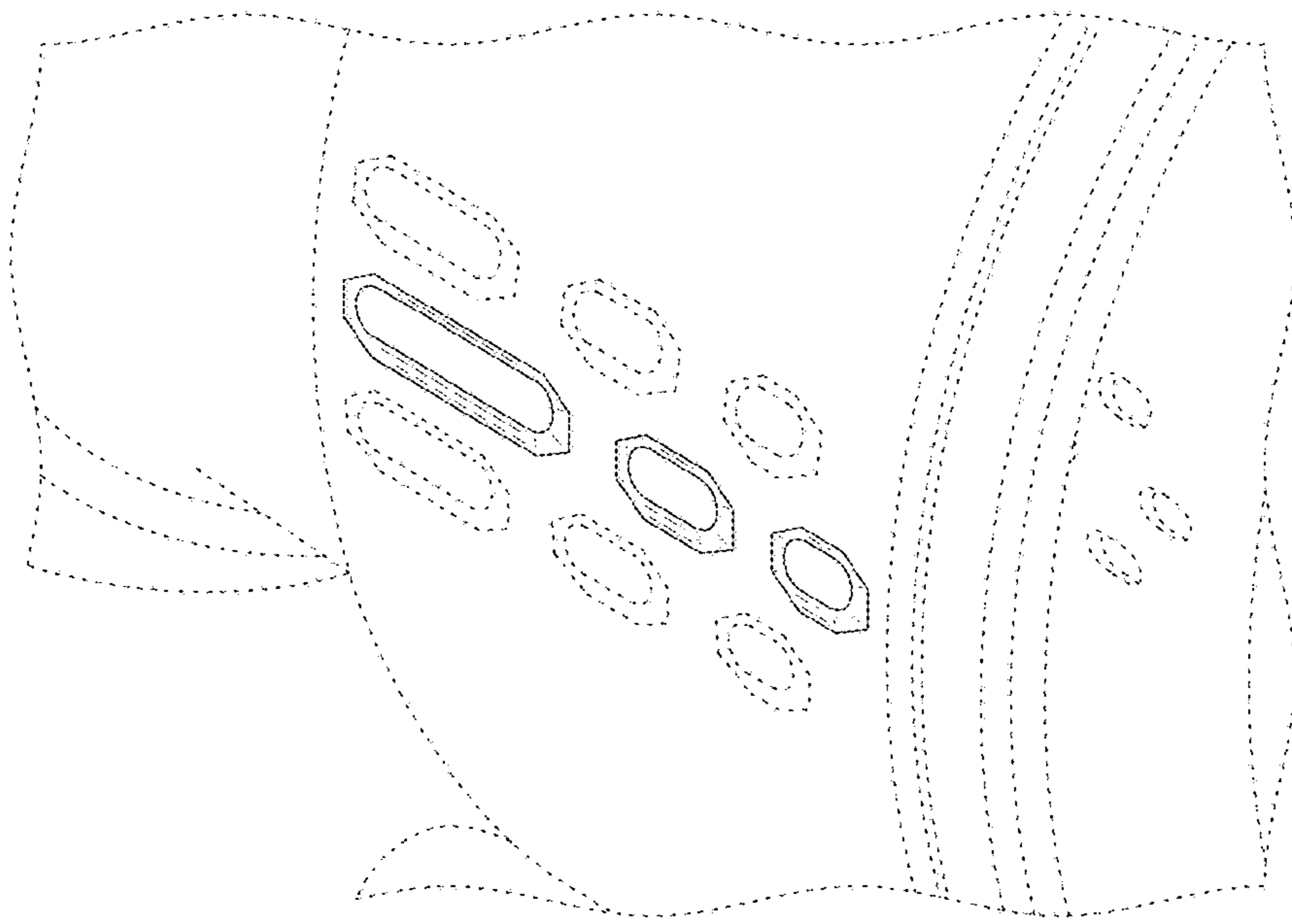


FIG. 9

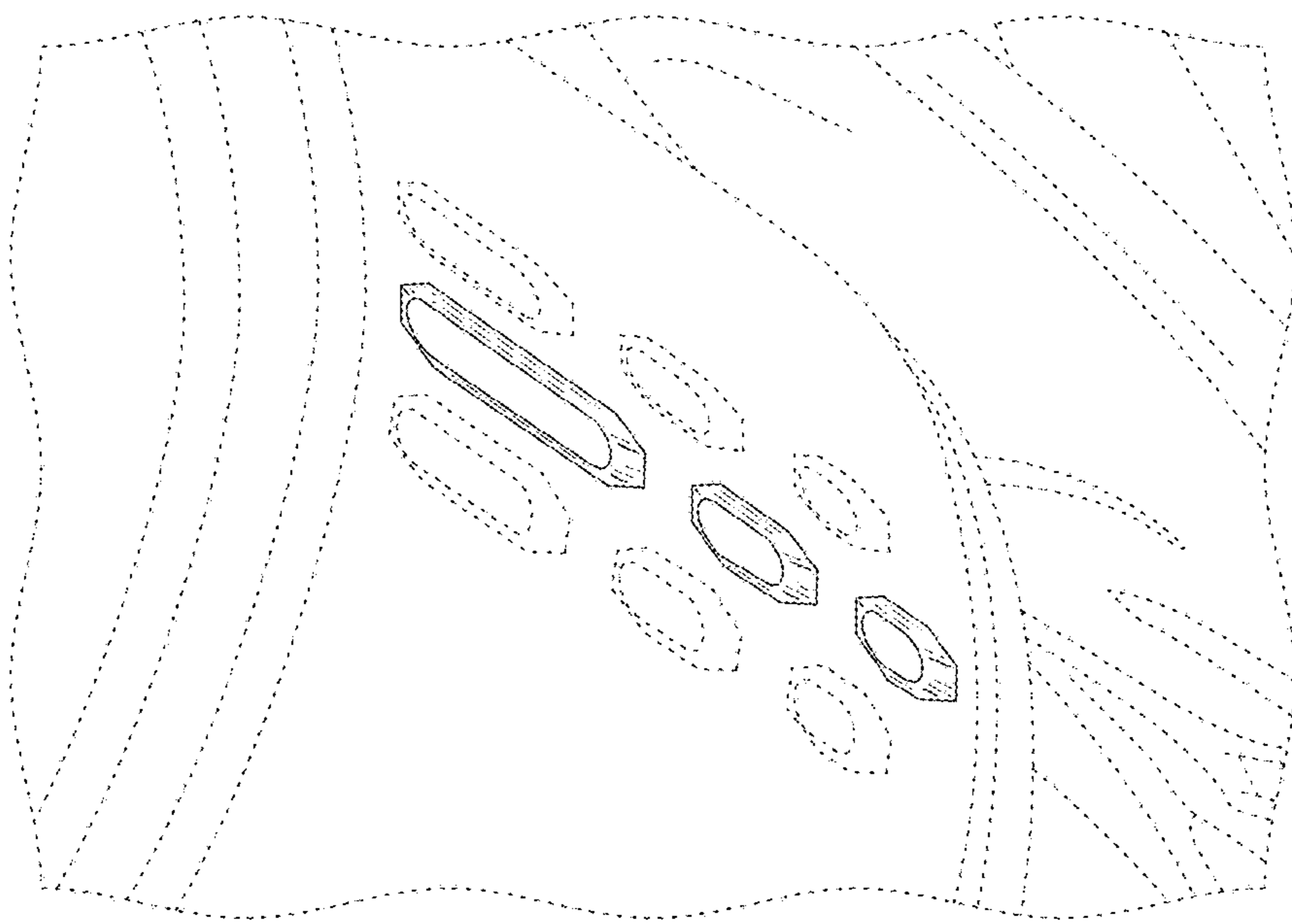


FIG. 10

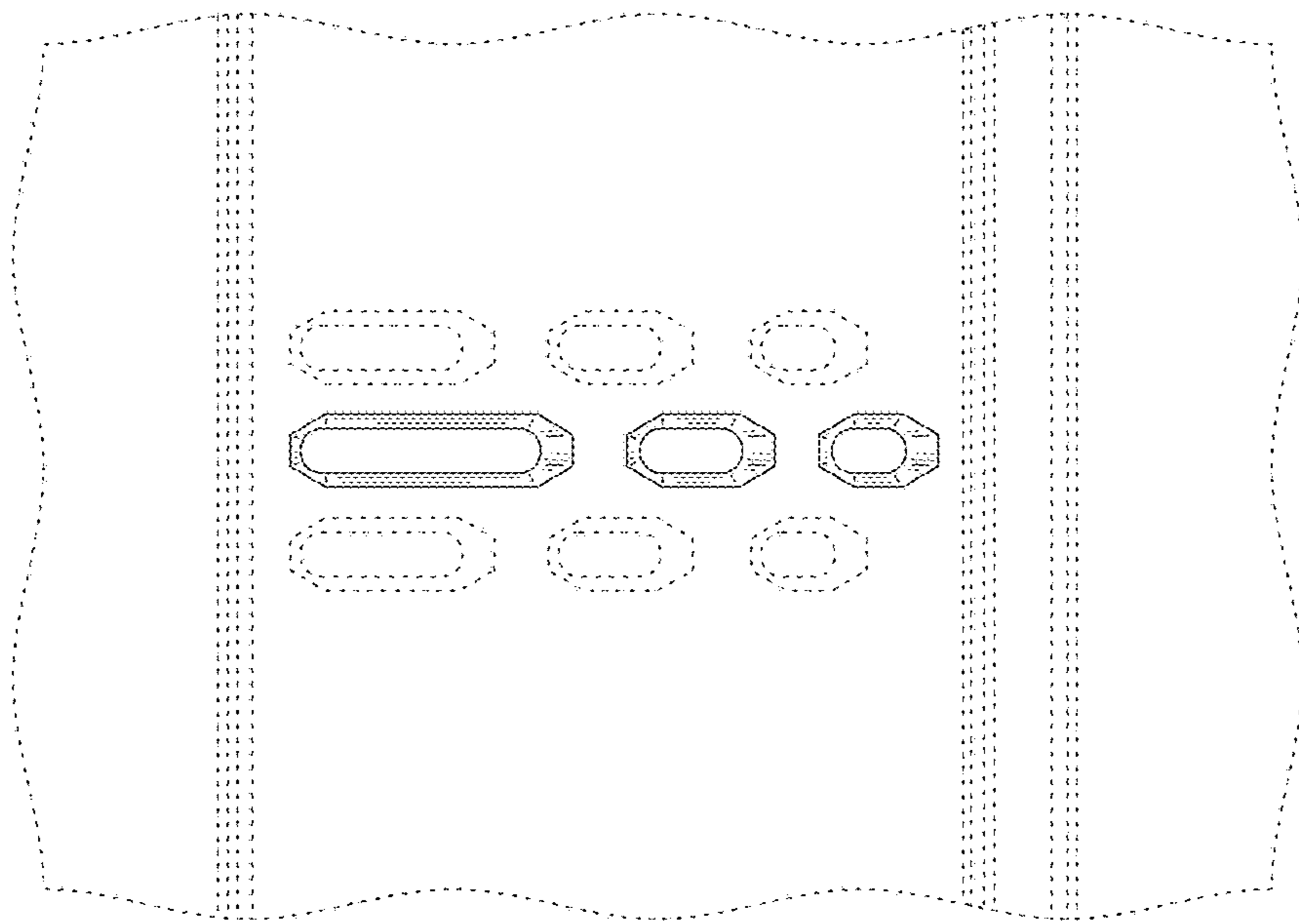


FIG. 11