



US00D846062S

(12) **United States Design Patent**
Deguchi

(10) **Patent No.:** **US D846,062 S**

(45) **Date of Patent:** **** Apr. 16, 2019**

(54) **FISHING REEL**

(71) Applicant: **Shimano Inc.**, Sakai, Osaka (JP)

(72) Inventor: **Tomoya Deguchi**, Osaka (JP)

(73) Assignee: **Shimano Inc.**, Osaka (JP)

(**) Term: **15 Years**

(21) Appl. No.: **29/639,030**

(22) Filed: **Mar. 2, 2018**

(30) **Foreign Application Priority Data**

Dec. 20, 2017 (JP) 2017-028357

(51) **LOC (11) Cl.** **22-05**

(52) **U.S. Cl.**
USPC **D22/141**

(58) **Field of Classification Search**
USPC D22/137-141; 43/19-21; 242/137-139,
242/141, 223, 310-311, 314-315, 318,
242/322

CPC A01K 89/015; A01K 89/01931
See application file for complete search history.

(56) **References Cited**

U.S. PATENT DOCUMENTS

D443,019 S * 5/2001 Kang D22/141
D505,991 S * 6/2005 Iwabuchi D22/141
D620,073 S * 7/2010 Tabuse D22/141
D627,417 S * 11/2010 Nago D22/141

D685,055 S 6/2013 Deguchi
D716,413 S * 10/2014 Hosono D22/141
D723,655 S 3/2015 Deguchi et al.
D767,085 S 9/2016 Nago
D767,086 S 9/2016 Nago

* cited by examiner

Primary Examiner — Catherine R Oliver-Garcia

(74) *Attorney, Agent, or Firm* — Gloabl IP Counselors,
LLP

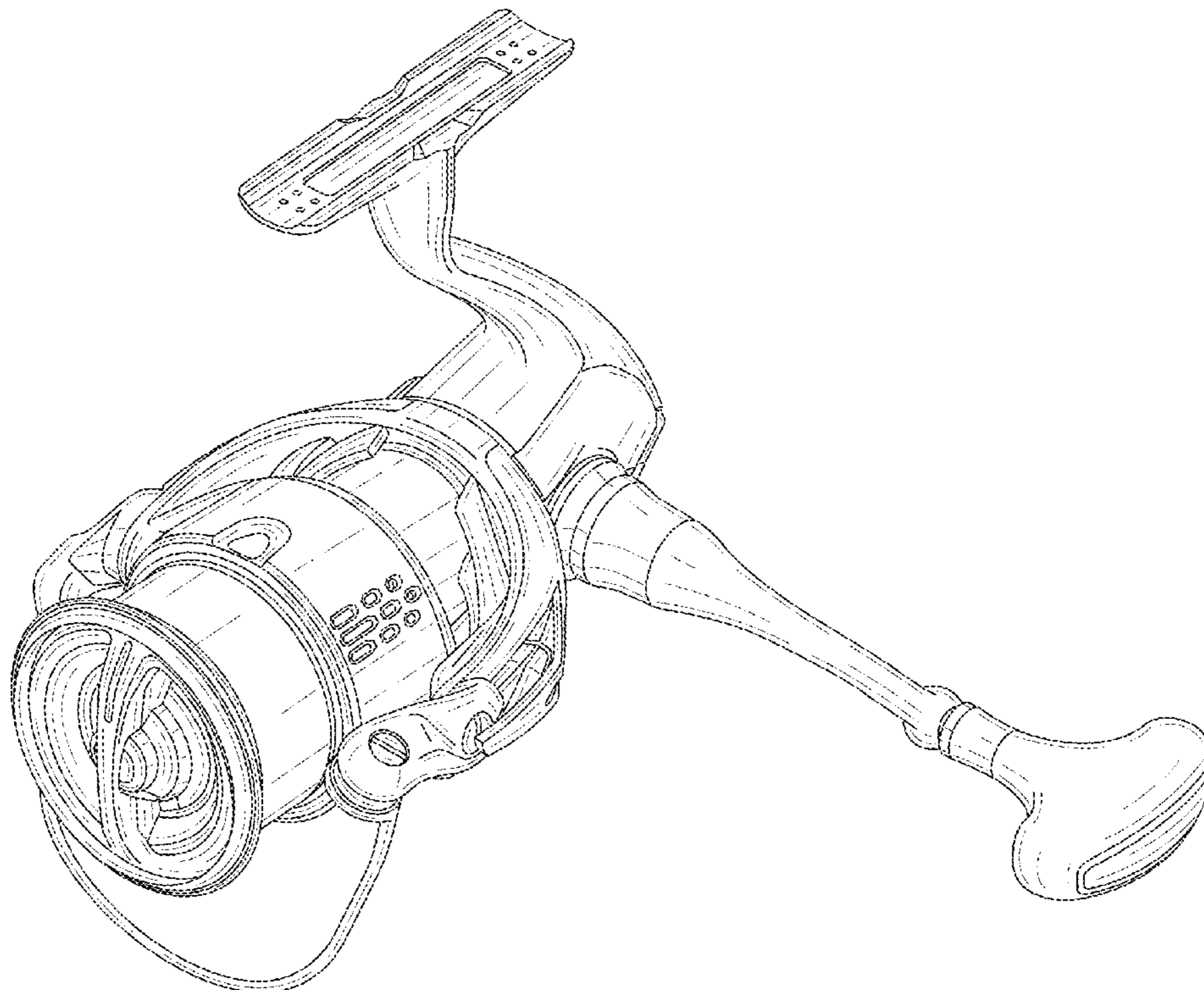
(57) **CLAIM**

An ornamental design for a fishing reel, as shown and described.

DESCRIPTION

FIG. 1 is a top, front and right perspective view of a fishing reel in accordance with my new design;
FIG. 2 is a bottom, rear and left side perspective view of the fishing reel illustrated in FIG. 1;
FIG. 3 is a right side elevational view of the fishing reel illustrated in FIG. 1;
FIG. 4 is a left side elevational view of the fishing reel illustrated in FIG. 1;
FIG. 5 is a top plan view of the fishing reel illustrated in FIG. 1;
FIG. 6 is a bottom plan view of the fishing reel illustrated in FIG. 1;
FIG. 7 is a rear elevational view of the fishing reel illustrated in FIG. 1; and,
FIG. 8 is a front elevational view of the fishing reel illustrated in FIG. 1.

1 Claim, 7 Drawing Sheets



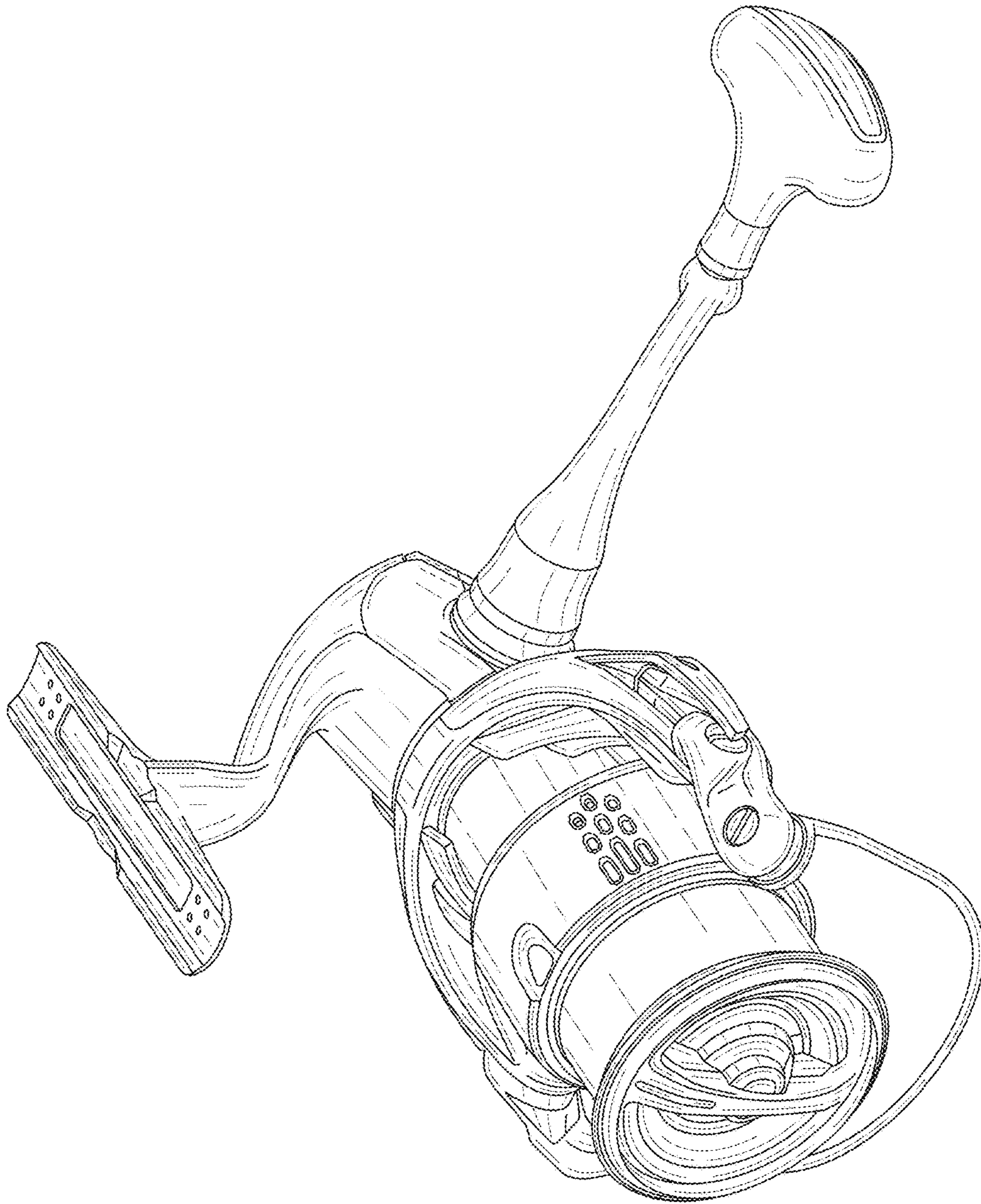


FIG. 1

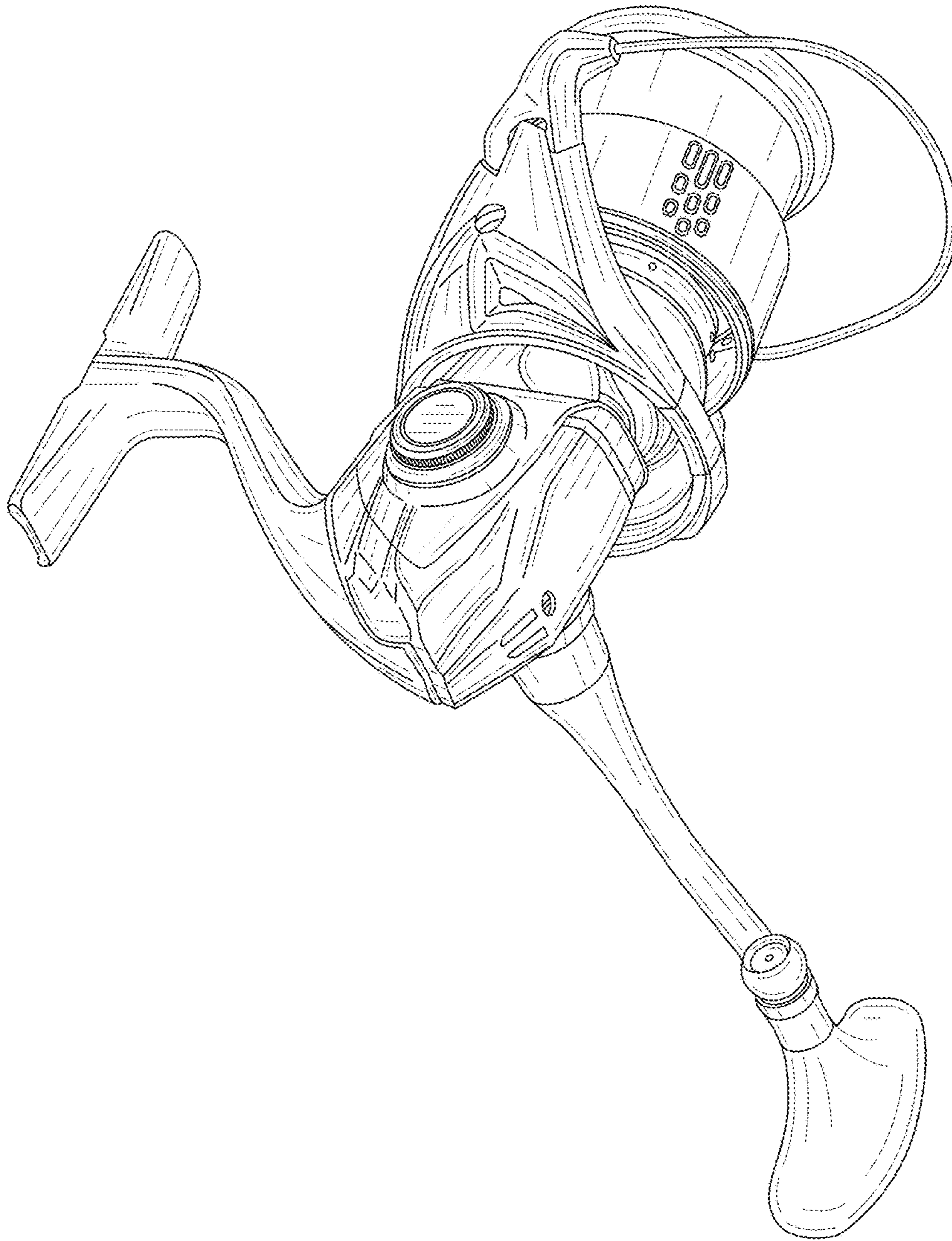


FIG. 2

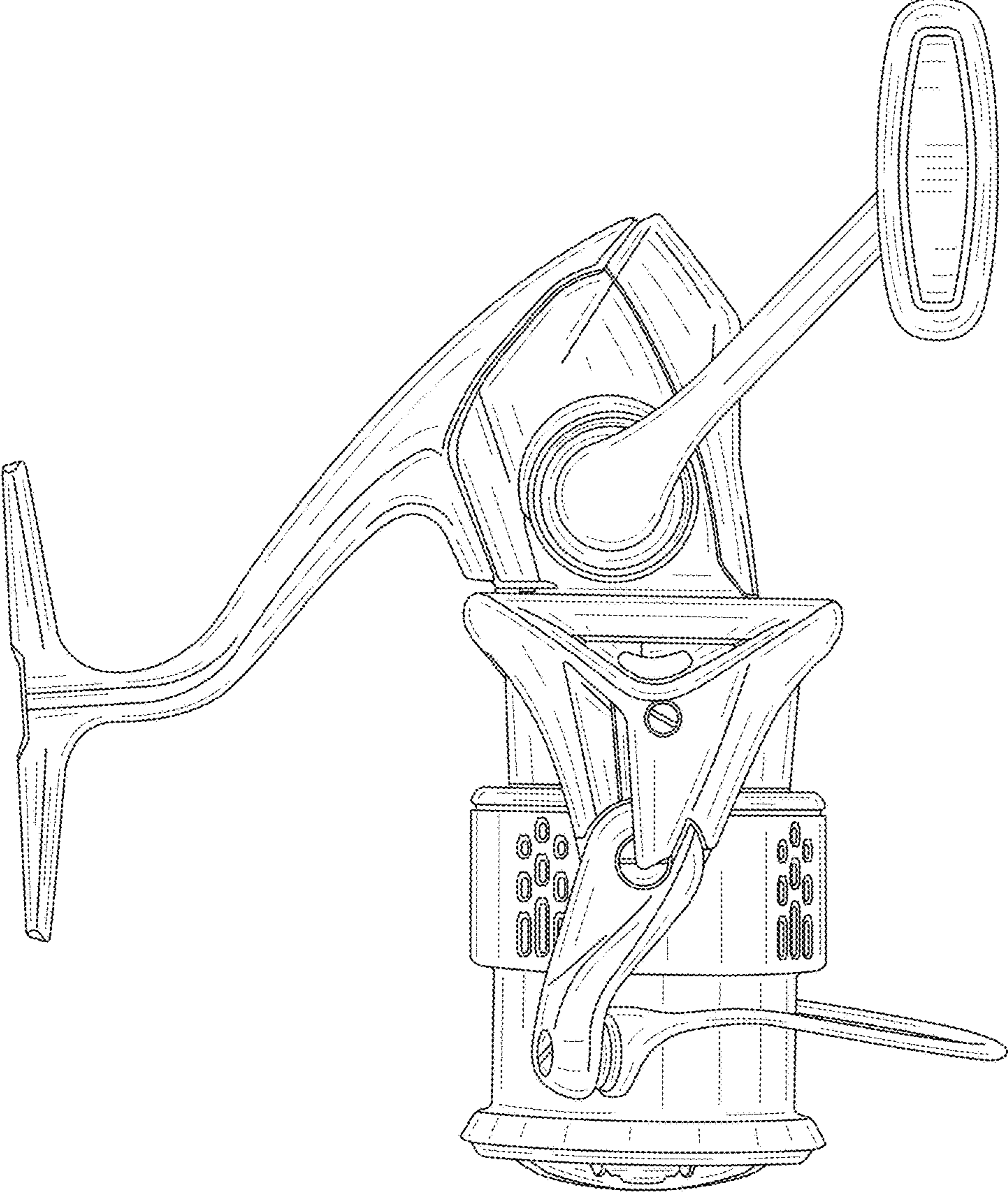


FIG. 3

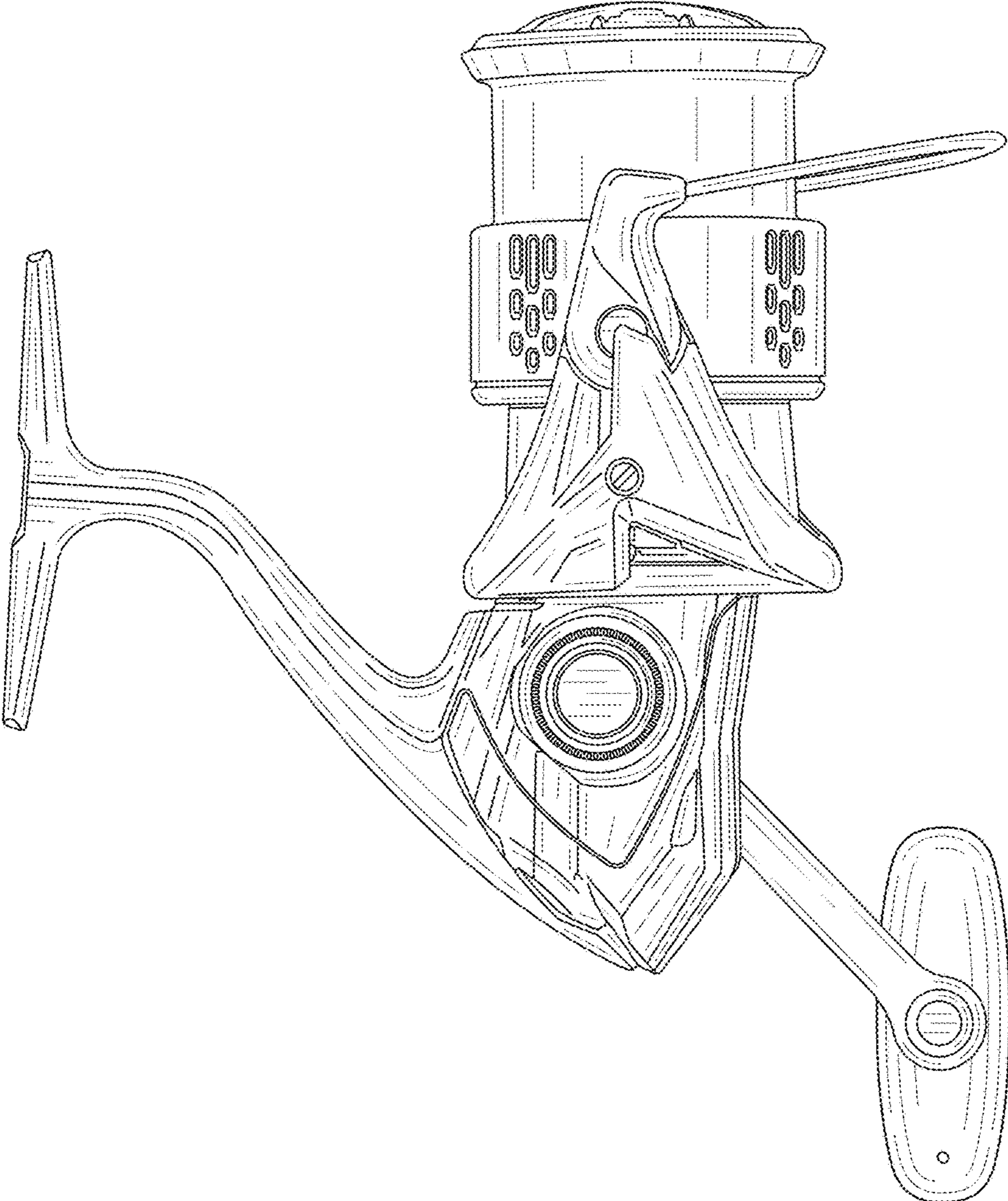


FIG. 4

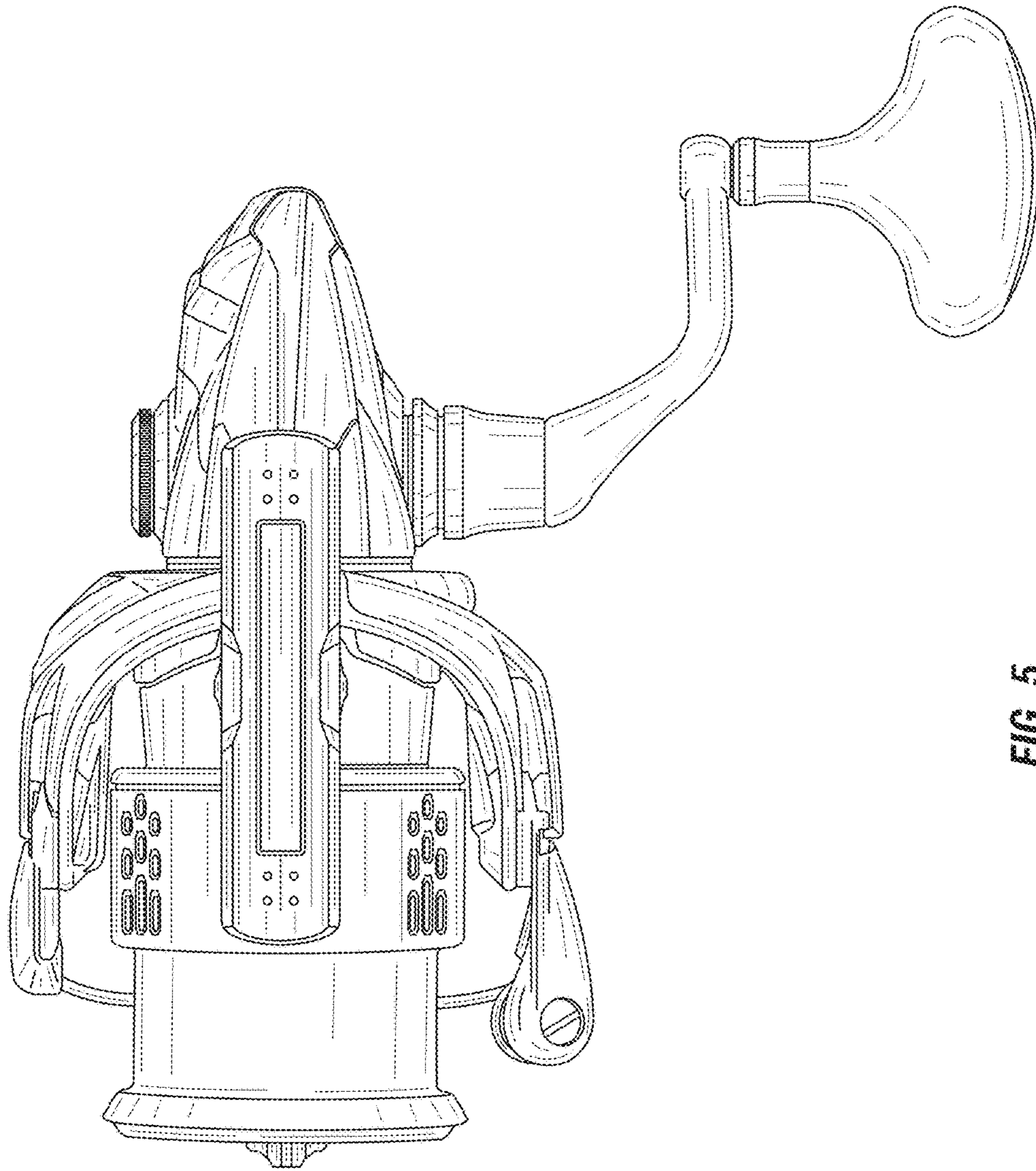


FIG. 5

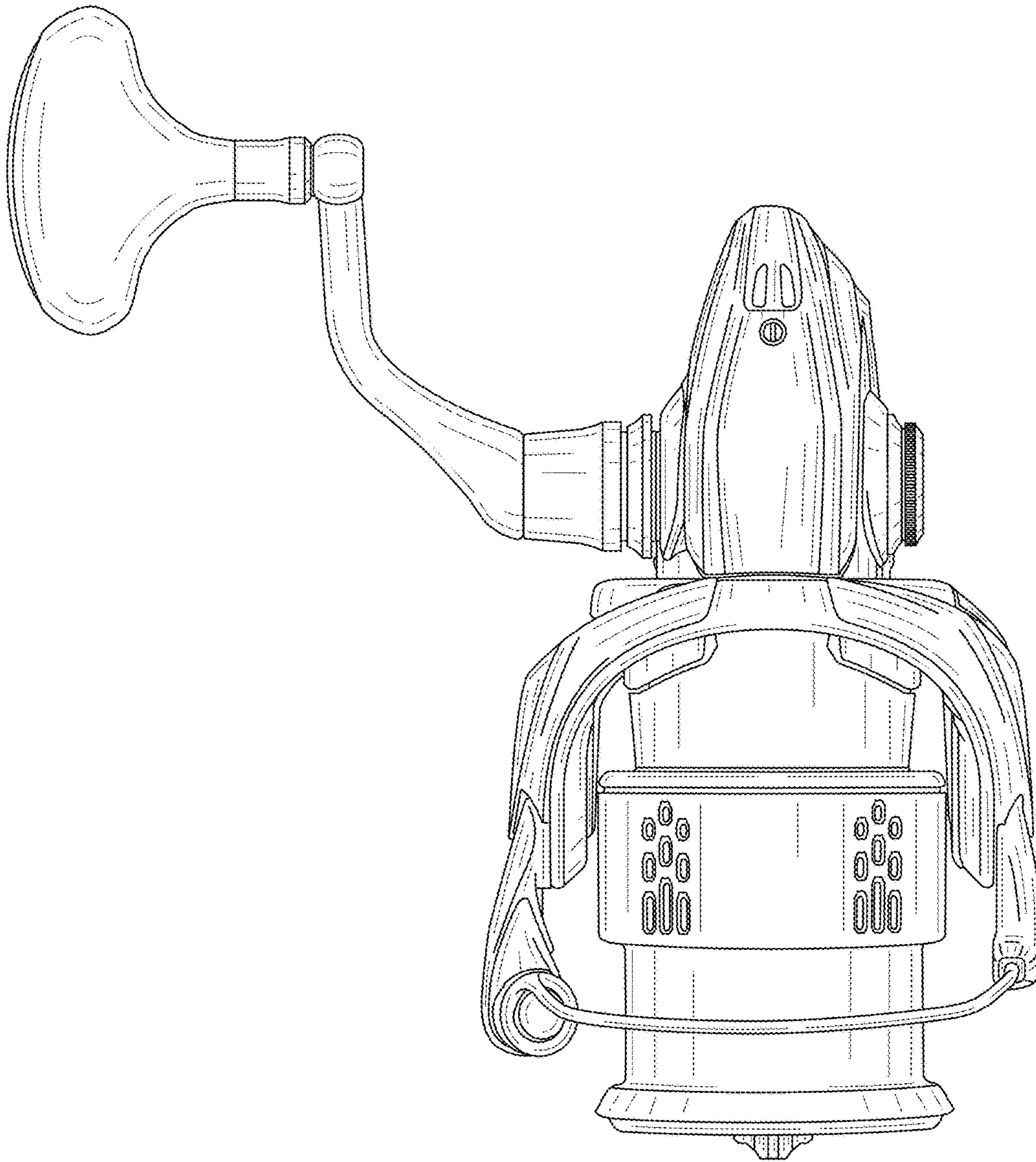


FIG. 6

FIG. 7

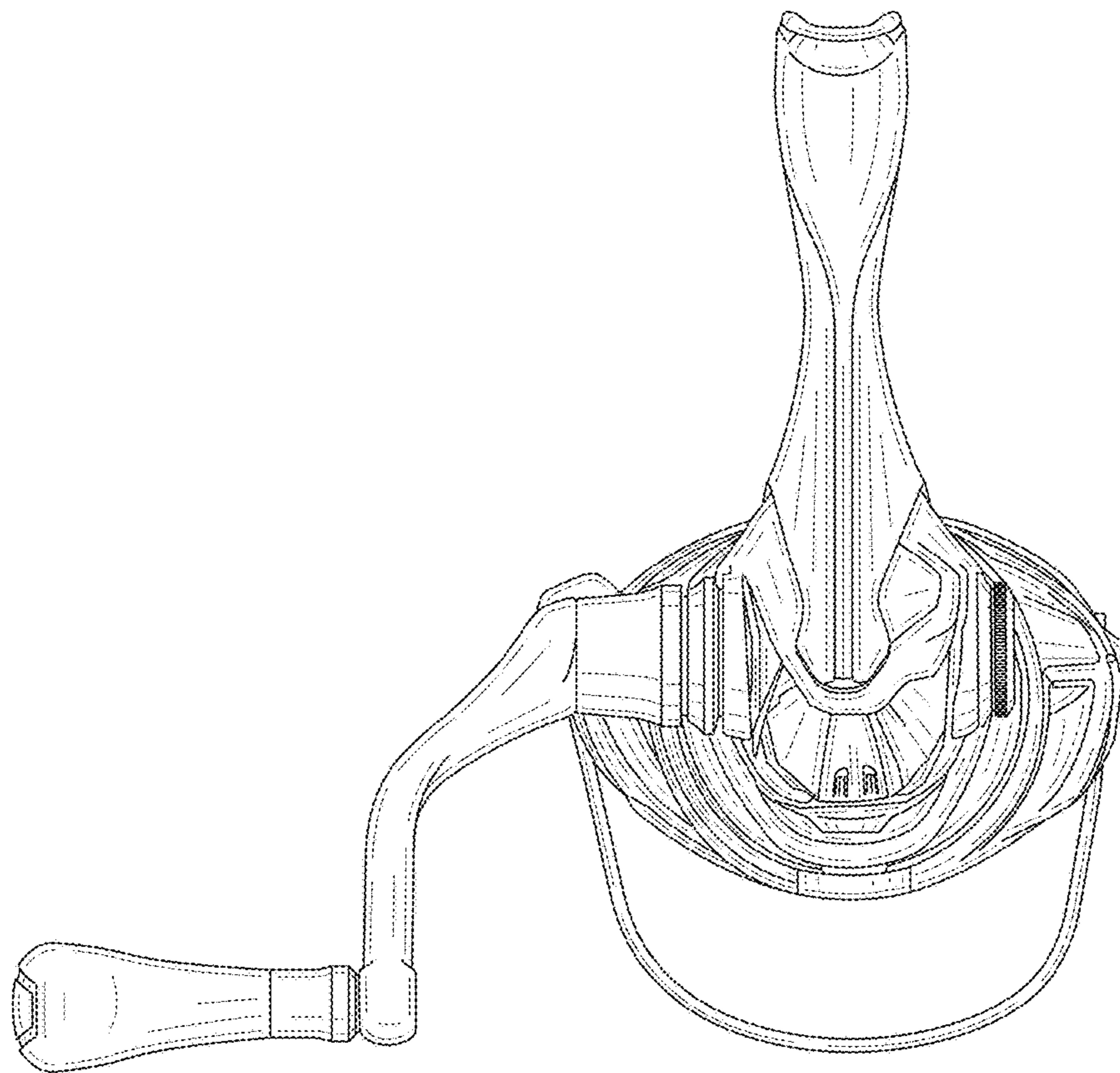


FIG. 8

