



US00D846061S

(12) **United States Design Patent** (10) **Patent No.:** **US D846,061 S**  
**Niitsuma** (45) **Date of Patent:** **\*\* Apr. 16, 2019**

- (54) **FISHING REEL**
- (71) Applicant: **Shimano Inc.**, Sakai, Osaka (JP)
- (72) Inventor: **Motohiro Niitsuma**, Osaka (JP)
- (73) Assignee: **Shimano Inc.**, Osaka (JP)
- (\*\*) Term: **15 Years**
- (21) Appl. No.: **29/639,022**
- (22) Filed: **Mar. 2, 2018**

(30) **Foreign Application Priority Data**

Nov. 27, 2017 (JP) ..... 2017-026285

(51) **LOC (11) Cl.** ..... **22-05**

(52) **U.S. Cl.**  
USPC ..... **D22/140**

(58) **Field of Classification Search**  
USPC ..... D22/137-141; 242/310-311, 314-315,  
242/318, 322  
CPC ..... A01K 89/015; A01K 89/0193  
See application file for complete search history.

(56) **References Cited**

**U.S. PATENT DOCUMENTS**

- D326,308 S \* 5/1992 Sakurai ..... D22/140
- 6,032,894 A \* 3/2000 Chapman ..... A01K 89/01931  
242/310
- D579,075 S \* 10/2008 Sekimoto ..... D22/140
- D674,868 S 1/2013 Deguchi et al.
- D684,238 S \* 6/2013 McCune ..... D22/140
- D709,985 S 7/2014 Deguchi
- D718,409 S 11/2014 Asaba

- D724,173 S \* 3/2015 Asaba ..... D22/140
- D731,613 S \* 6/2015 Kano ..... D22/140
- D767,083 S 9/2016 Niitsuma
- 2011/0240785 A1 \* 10/2011 Martin ..... A01K 89/015  
242/311

\* cited by examiner

*Primary Examiner* — Catherine R Oliver-Garcia  
(74) *Attorney, Agent, or Firm* — Global IP Counselors,  
LLP

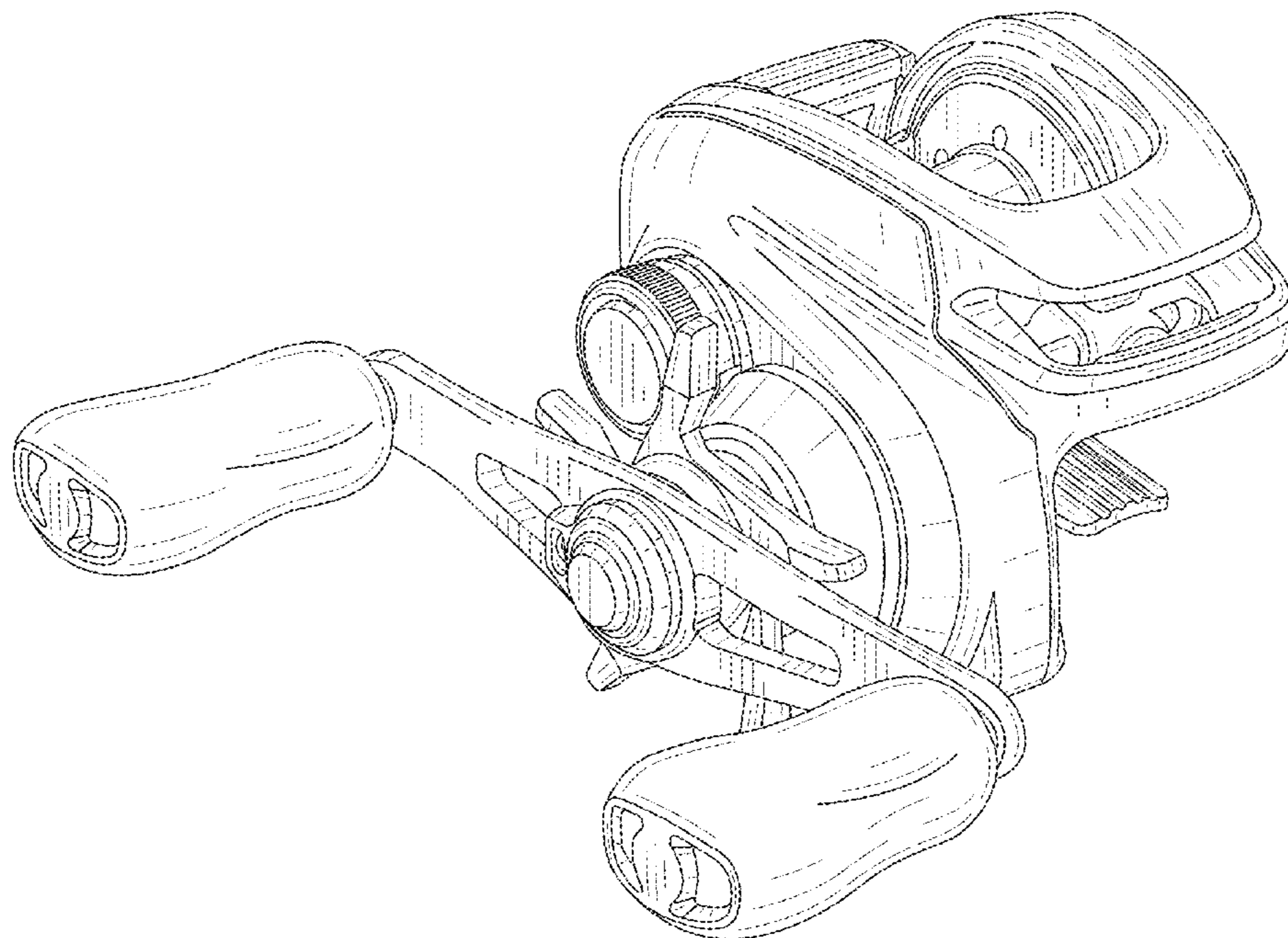
(57) **CLAIM**

An ornamental design for a fishing reel, as shown and described.

**DESCRIPTION**

FIG. 1 is a top, left and front perspective view of a fishing reel in accordance with my new design;  
 FIG. 2 is a top, right and front perspective view of the fishing reel illustrated in FIG. 1;  
 FIG. 3 is a bottom, right and front perspective view of the fishing reel illustrated in FIG. 1;  
 FIG. 4 is a front elevational view of the fishing reel illustrated in FIG. 1;  
 FIG. 5 is a rear elevational view of the fishing reel illustrated in FIG. 1;  
 FIG. 6 is a top plan view of the fishing reel illustrated in FIG. 1;  
 FIG. 7 is a bottom plan view of the fishing reel illustrated in FIG. 1;  
 FIG. 8 is a right side elevational view of the fishing reel illustrated in FIG. 1; and,  
 FIG. 9 is a left side elevational view of the fishing reel illustrated in FIG. 1.

**1 Claim, 7 Drawing Sheets**



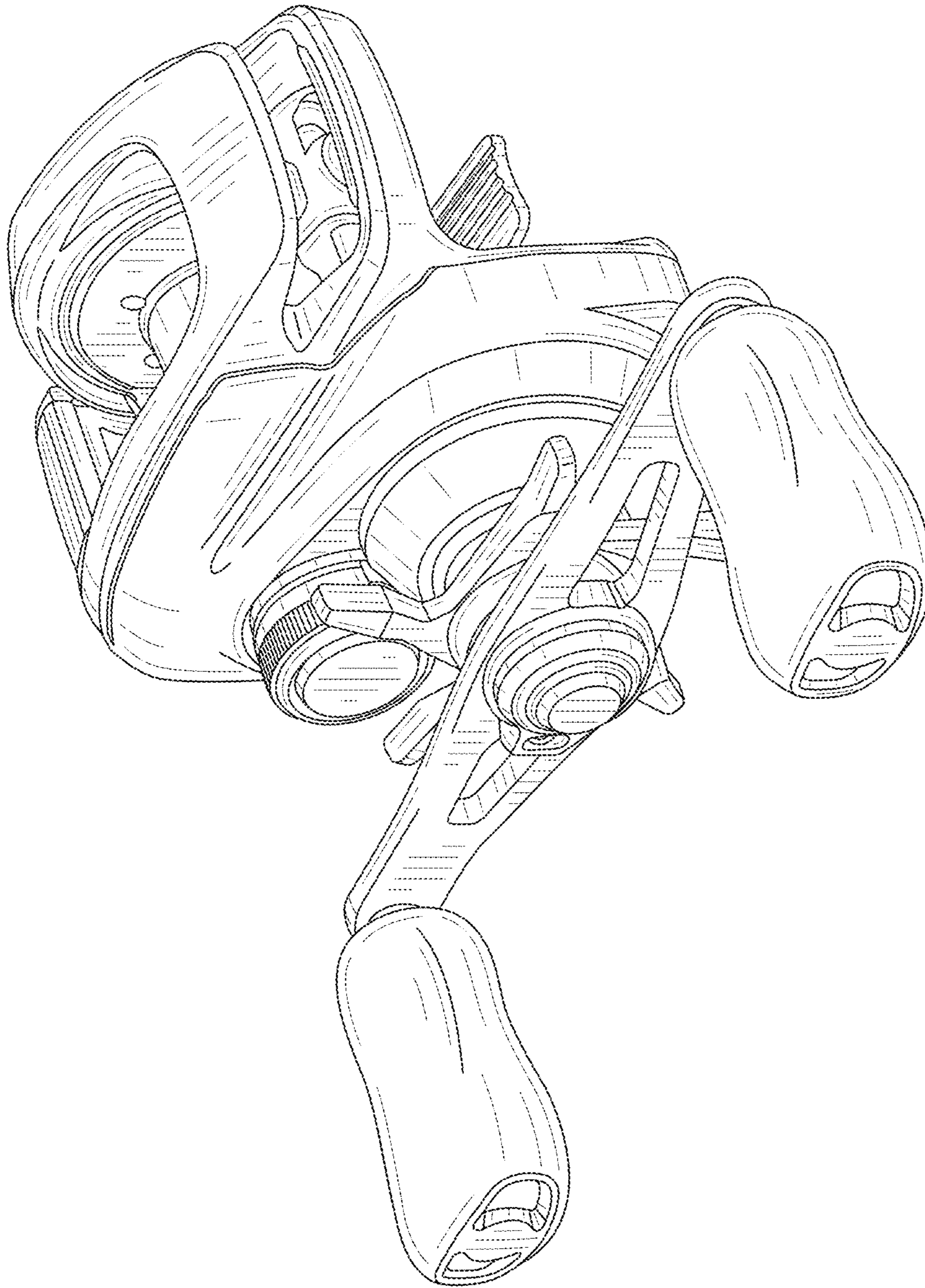


FIG. 1



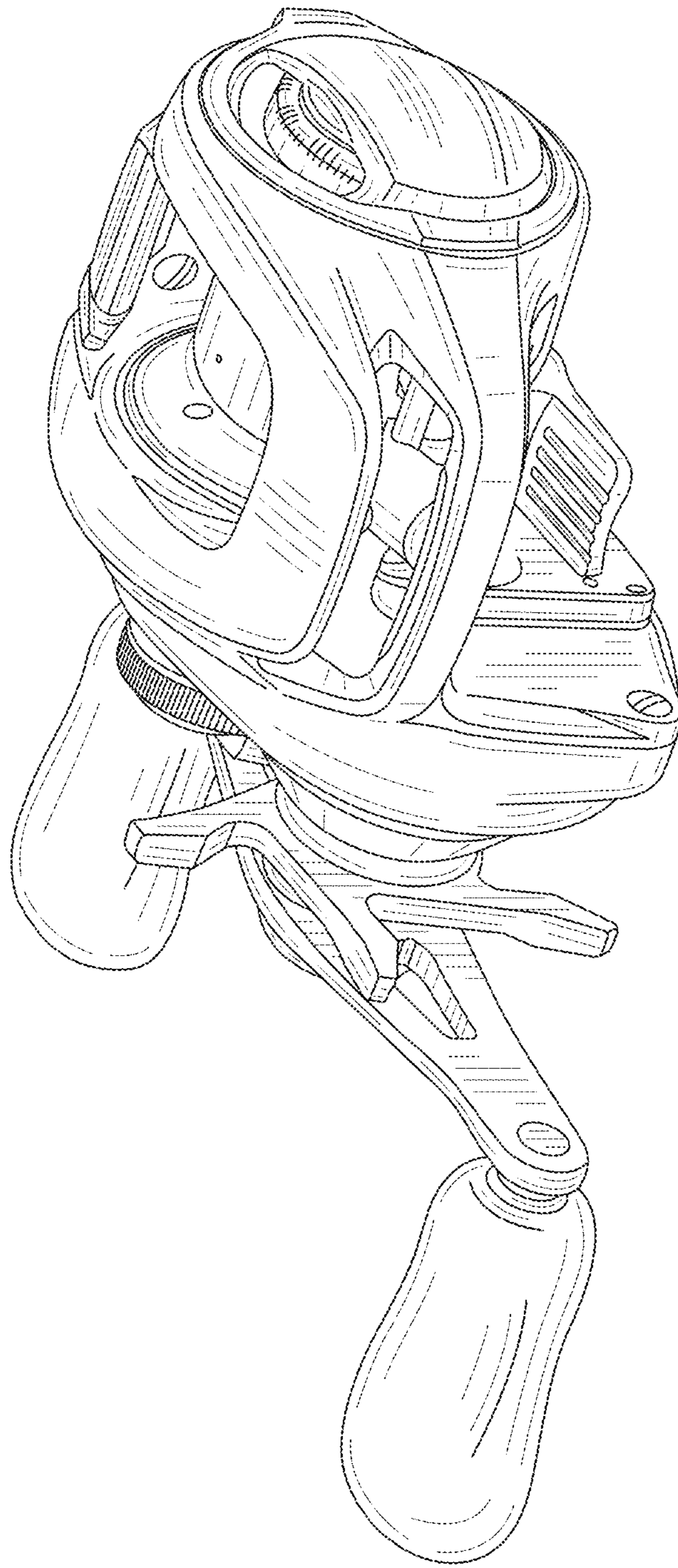


FIG. 2

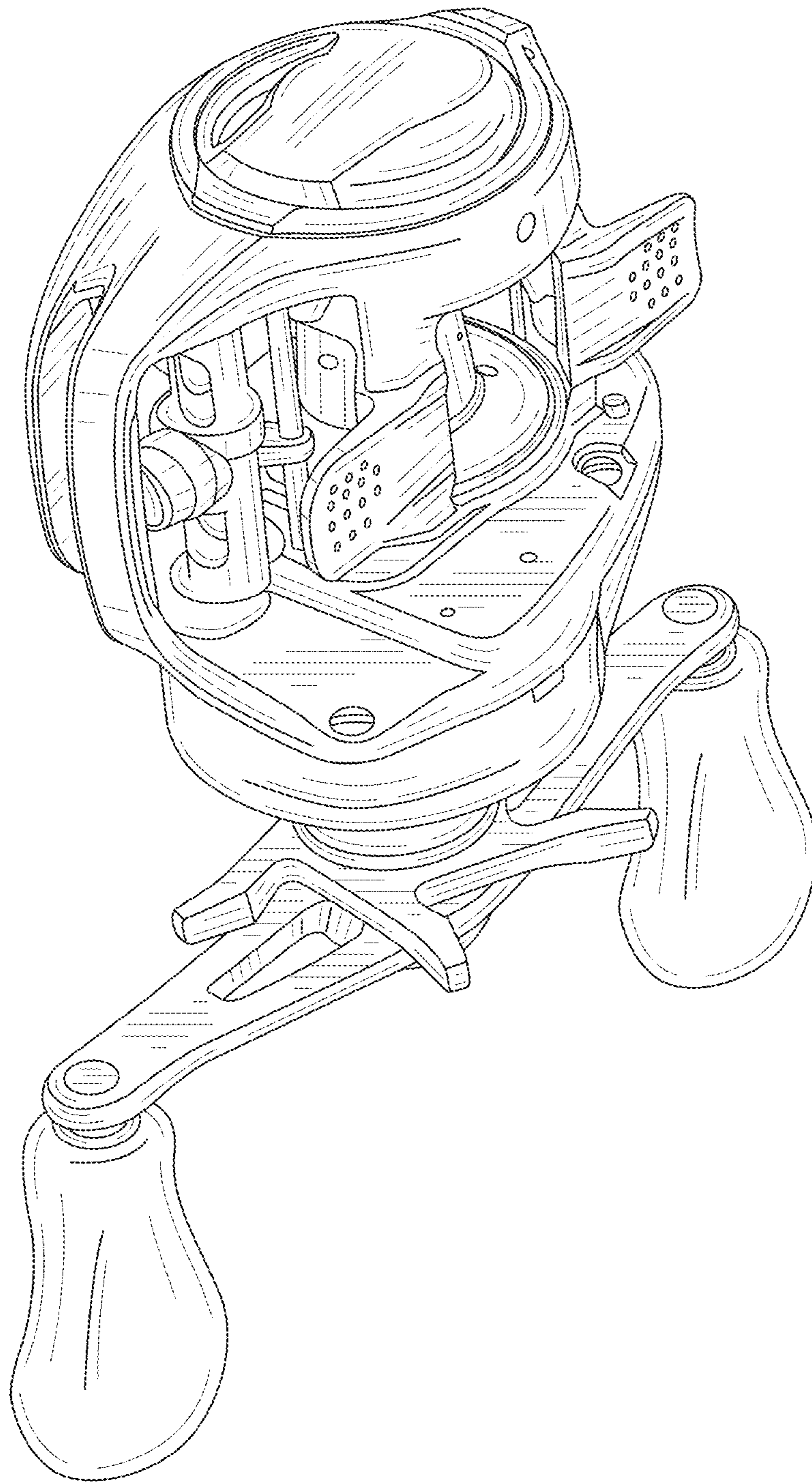


FIG. 3

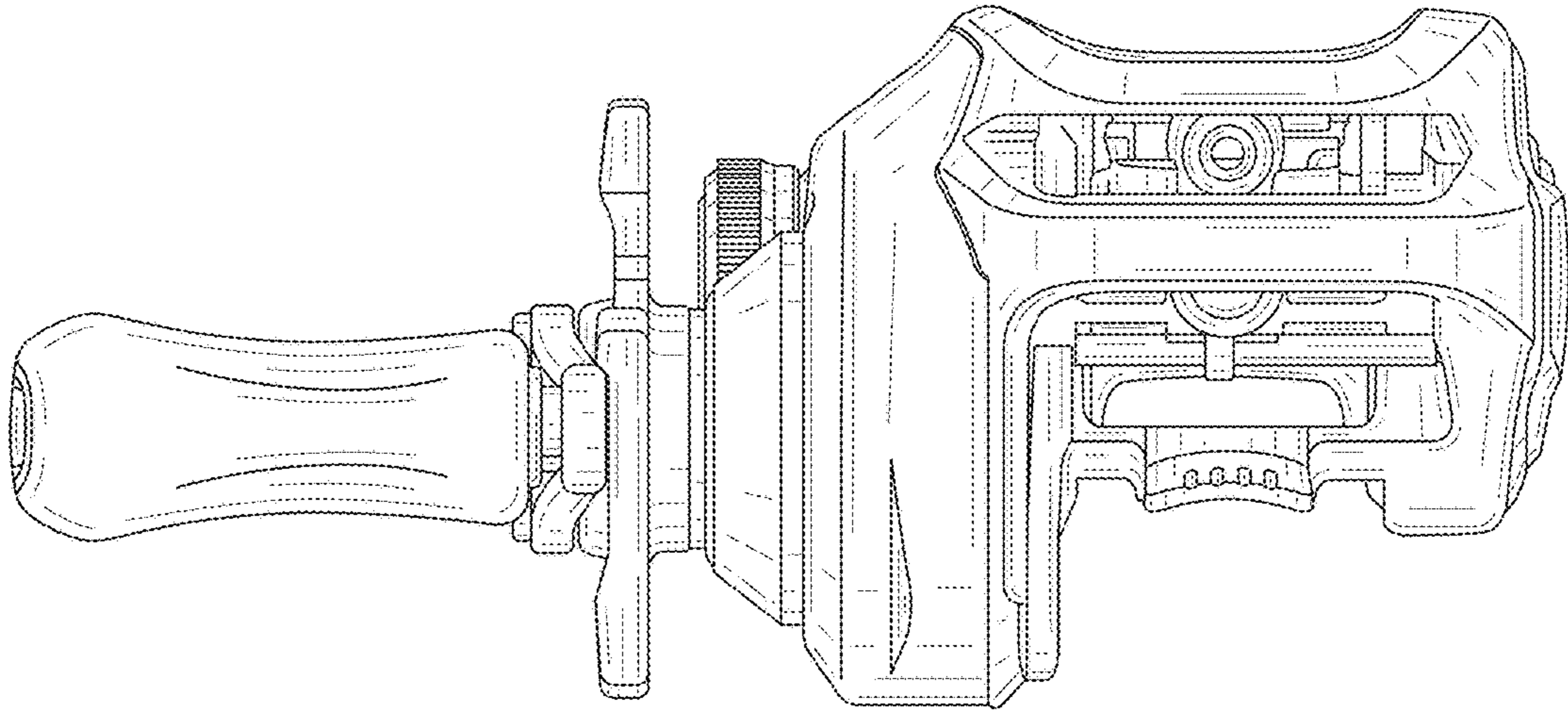


FIG. 4

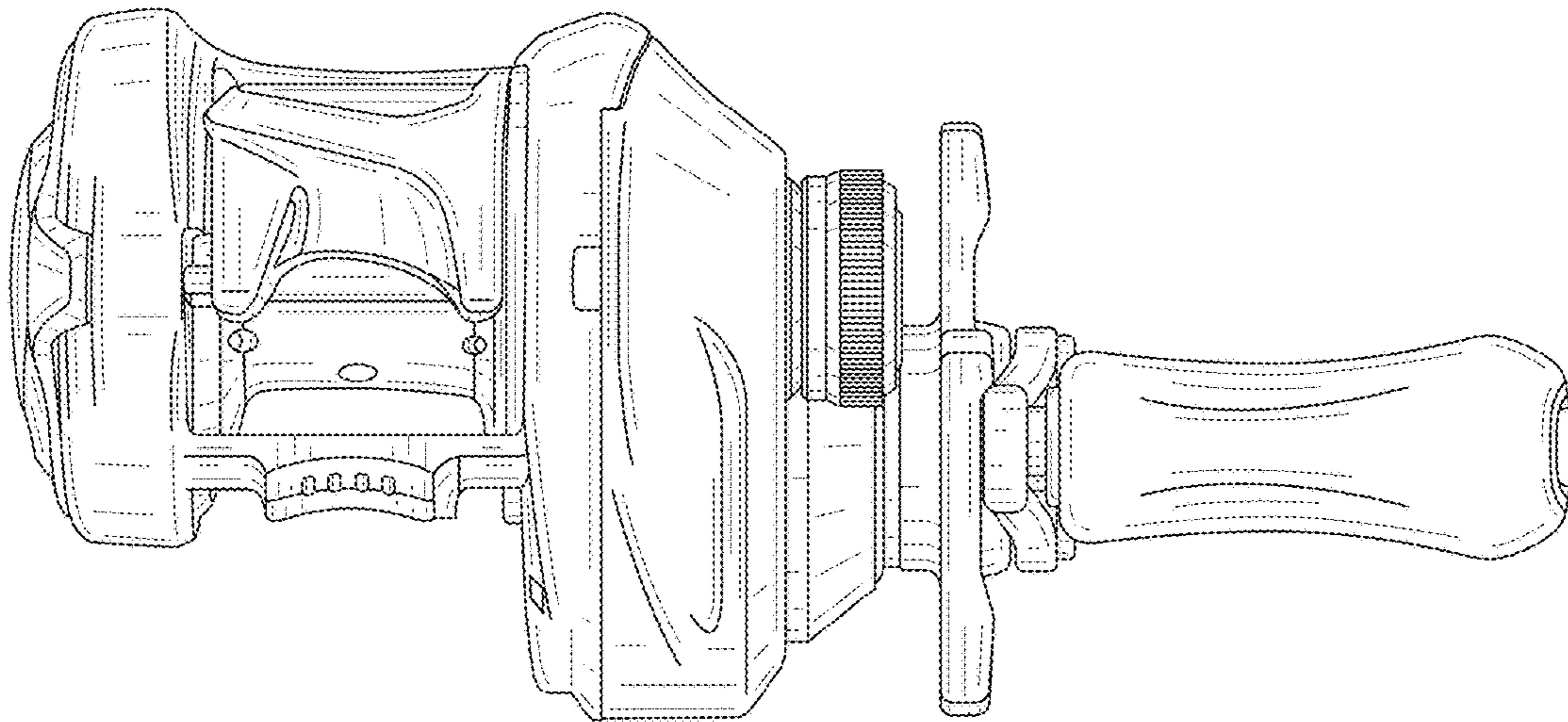


FIG. 5



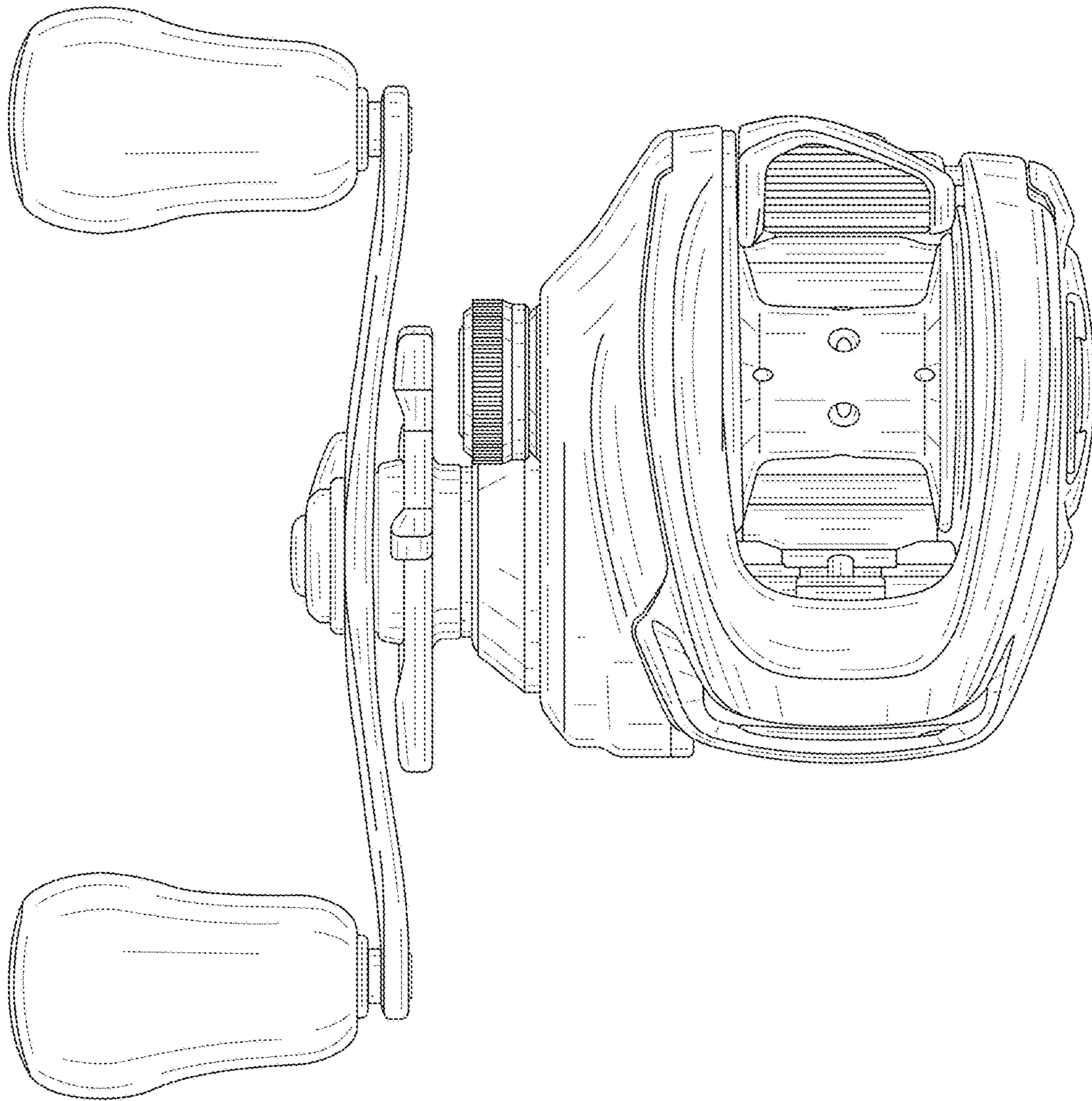


FIG. 6

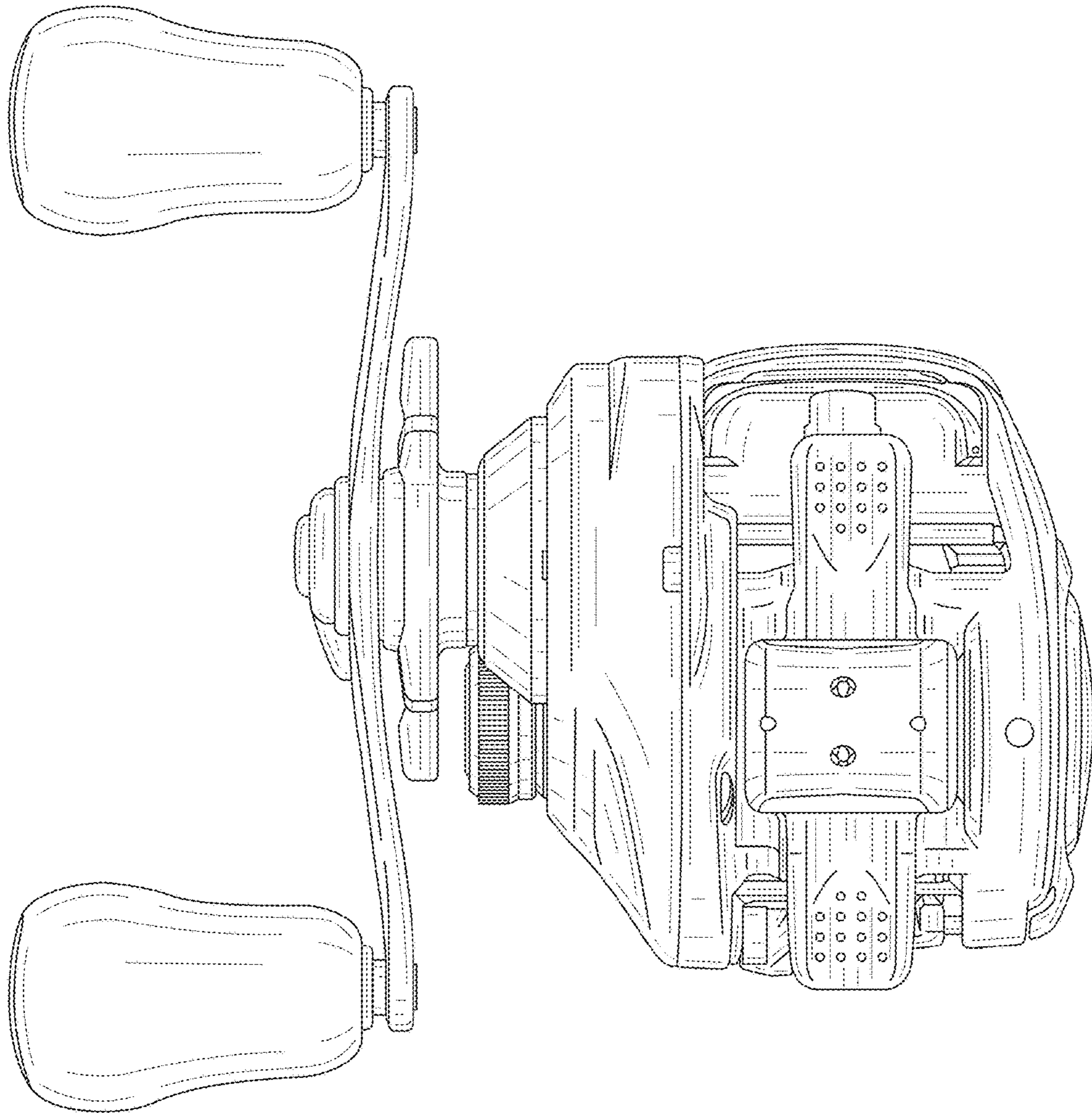


FIG. 7

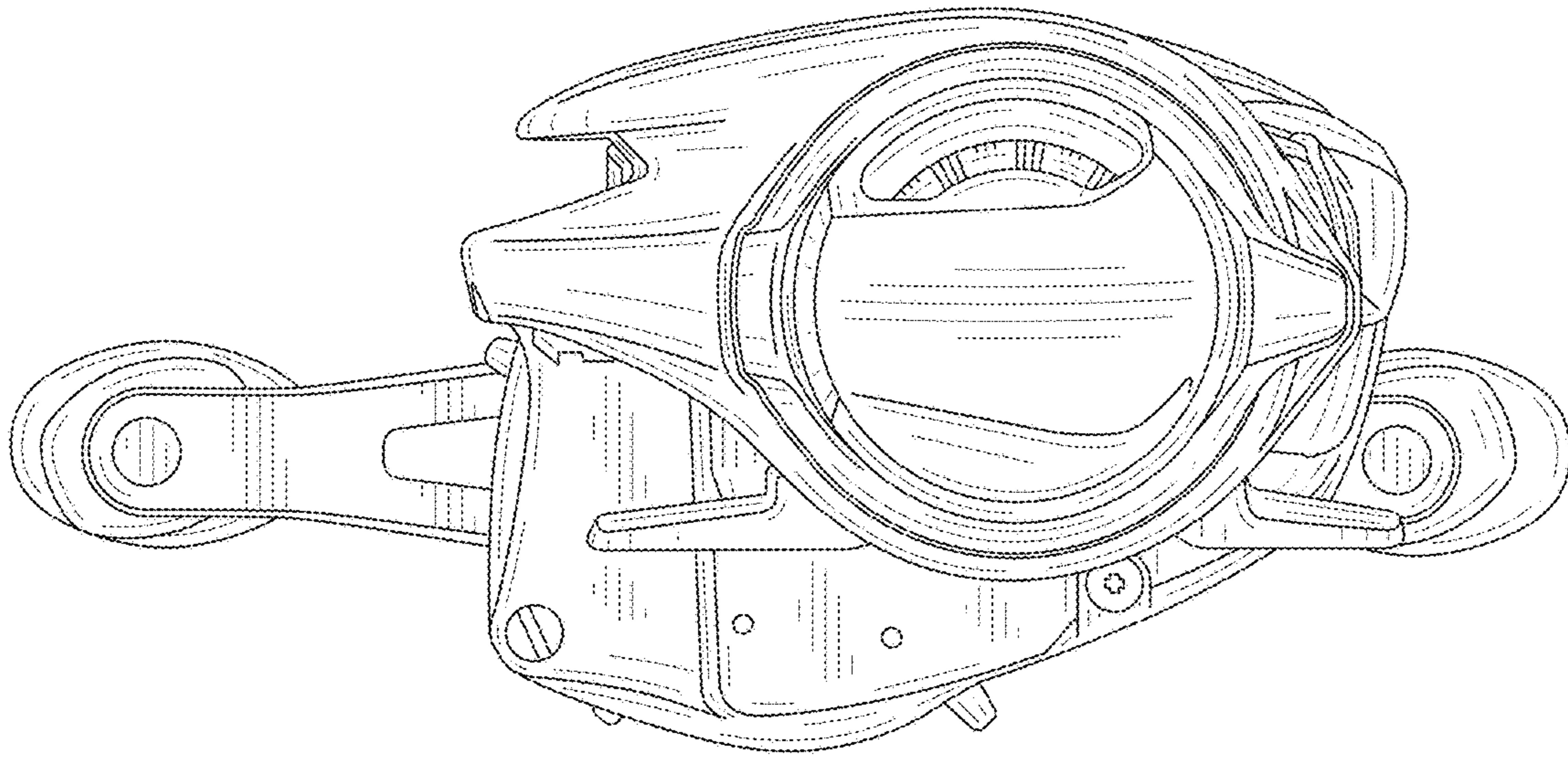


FIG. 8

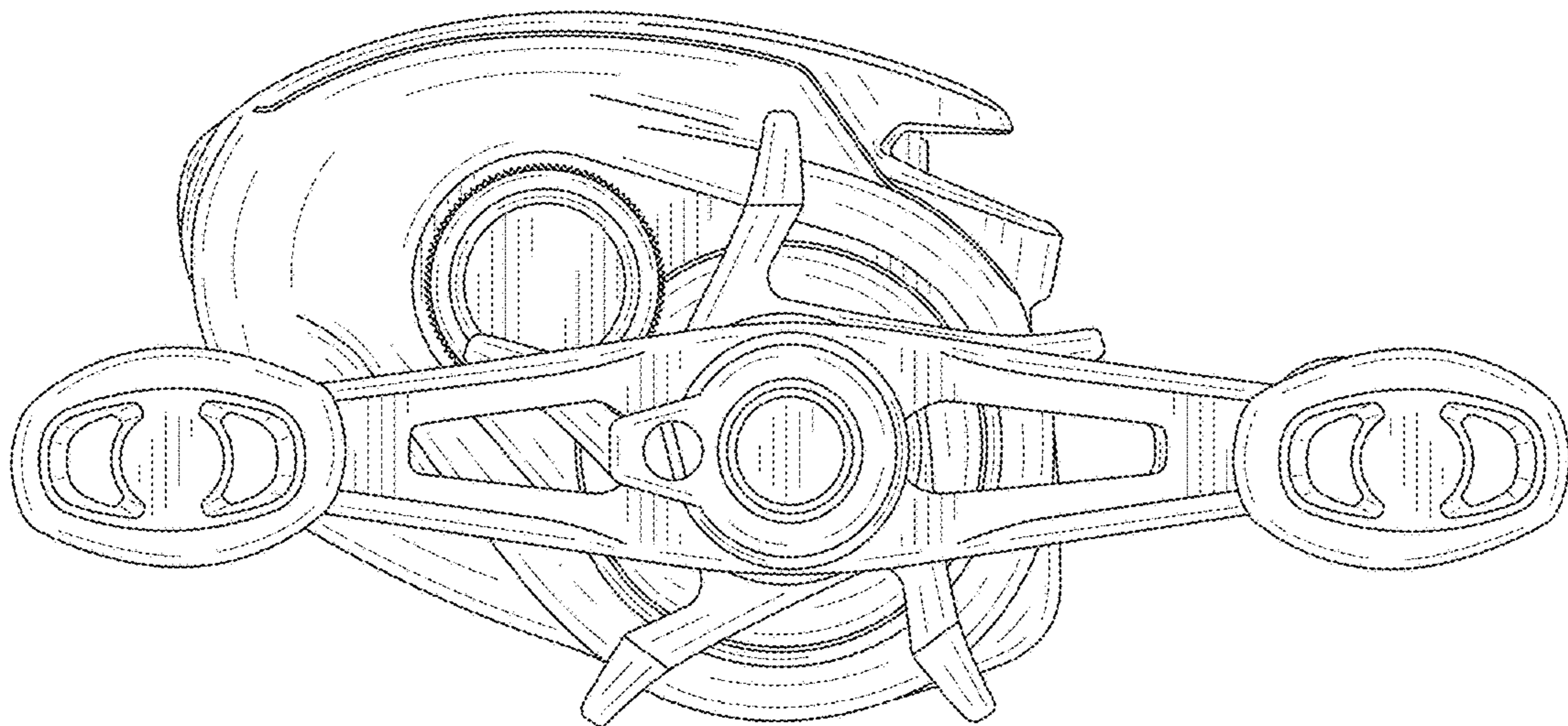


FIG. 9