

US00D846059S

(12) **United States Design Patent**
Zhang et al.

(10) **Patent No.:** **US D846,059 S**
(45) **Date of Patent:** **** Apr. 16, 2019**

(54) **PILLAR INSECT TRAP WITH BIRD GUARDS**

(71) Applicant: **Sterling International Inc.**, Spokane, WA (US)

(72) Inventors: **Qing-He Zhang**, Greenacres, WA (US);
Marc Chapin, Spokane, WA (US);
Rodney G. Schneidmiller, Greenacres, WA (US)

(73) Assignee: **Sterling International Inc.**, Spokane, WA (US)

(**) Term: **15 Years**

(21) Appl. No.: **29/642,832**

(22) Filed: **Apr. 2, 2018**

Related U.S. Application Data

(63) Continuation-in-part of application No. 29/621,934, filed on Oct. 12, 2017, now Pat. No. Des. 831,782.

(51) **LOC (11) Cl.** **22-06**

(52) **U.S. Cl.**
USPC **D22/122**

(58) **Field of Classification Search**
USPC D22/119-124; 43/107, 112-113, 43/121-122, 124, 131, 132.1
CPC A01M 1/14; A01M 1/2011; A01M 1/2016; A01M 2200/011; A01M 2200/012; A01M 1/04; A01M 1/06
See application file for complete search history.

(56) **References Cited**

U.S. PATENT DOCUMENTS

5,274,949 A 1/1994 Beaton
D359,790 S 6/1995 Blotnick

D467,295 S 12/2002 Andrews et al.
D467,635 S 12/2002 Andrews et al.
6,860,062 B2 3/2005 Spragins
7,310,907 B2 12/2007 Suteerawanit
D675,282 S 1/2013 Frisch
D700,269 S 2/2014 Chapin et al.
9,015,988 B2 4/2015 Zhang
D761,932 S 7/2016 Zhang et al.
D818,558 S 5/2018 Wang et al.

Primary Examiner — Catherine R Oliver-Garcia

(74) *Attorney, Agent, or Firm* — Christensen O'Connor Johnson Kindness, PLLC; Ryan E. Dodge, Jr.

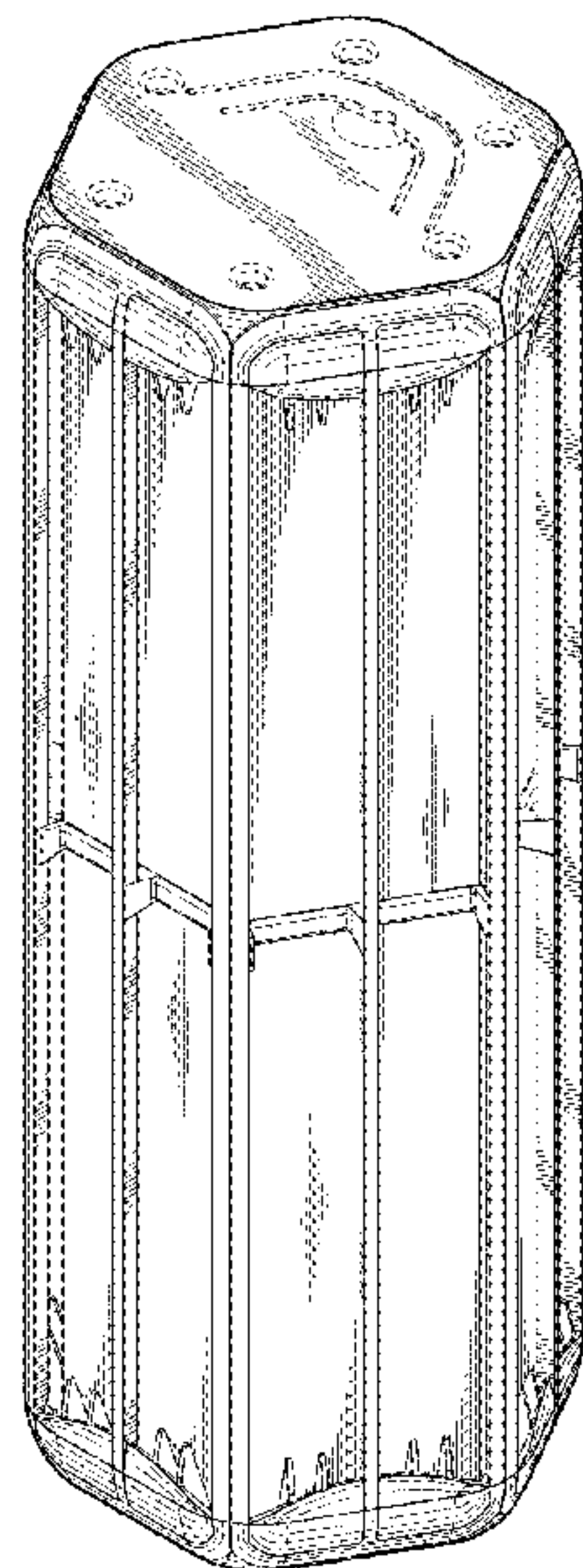
(57) **CLAIM**

The ornamental design for a pillar insect trap with bird guards, as shown and described.

DESCRIPTION

FIG. 1 is an upper-front-right perspective view of a pillar insect trap with bird guards, according to our new design; FIG. 2 is a front view of the pillar insect trap with bird guards shown in FIG. 1, which is the same as the rear view; FIG. 3 is a top plan view of the pillar insect trap with bird guards shown in FIG. 1, which is the same as the bottom plan view; FIG. 4 is a left side view of the pillar insect trap with bird guards shown in FIG. 1, which is the same as the right side view; and, FIG. 5 is a perspective sectional view of the pillar insect trap with bird guards through section 5-5 indicated in FIG. 2. The broken line showing of top and bottom hanging features is for the purpose of illustrating portions of the pillar and forms no part in the claimed design.

1 Claim, 5 Drawing Sheets



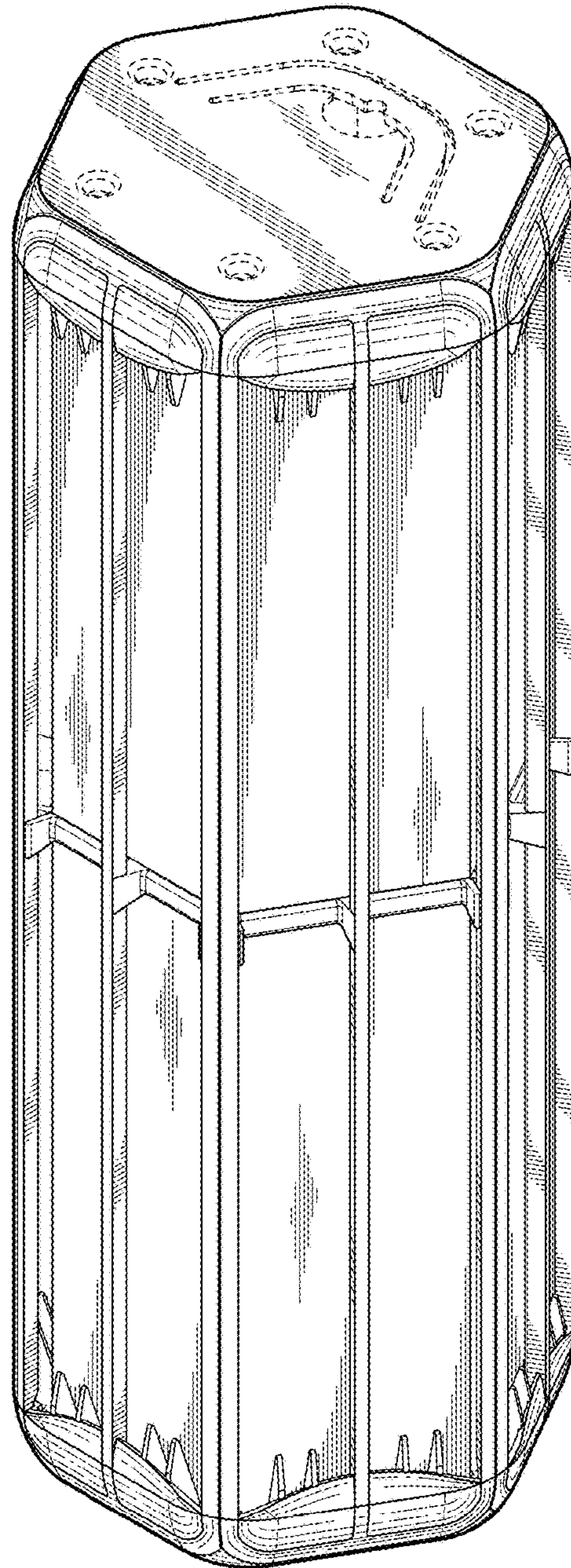


Fig. 1.

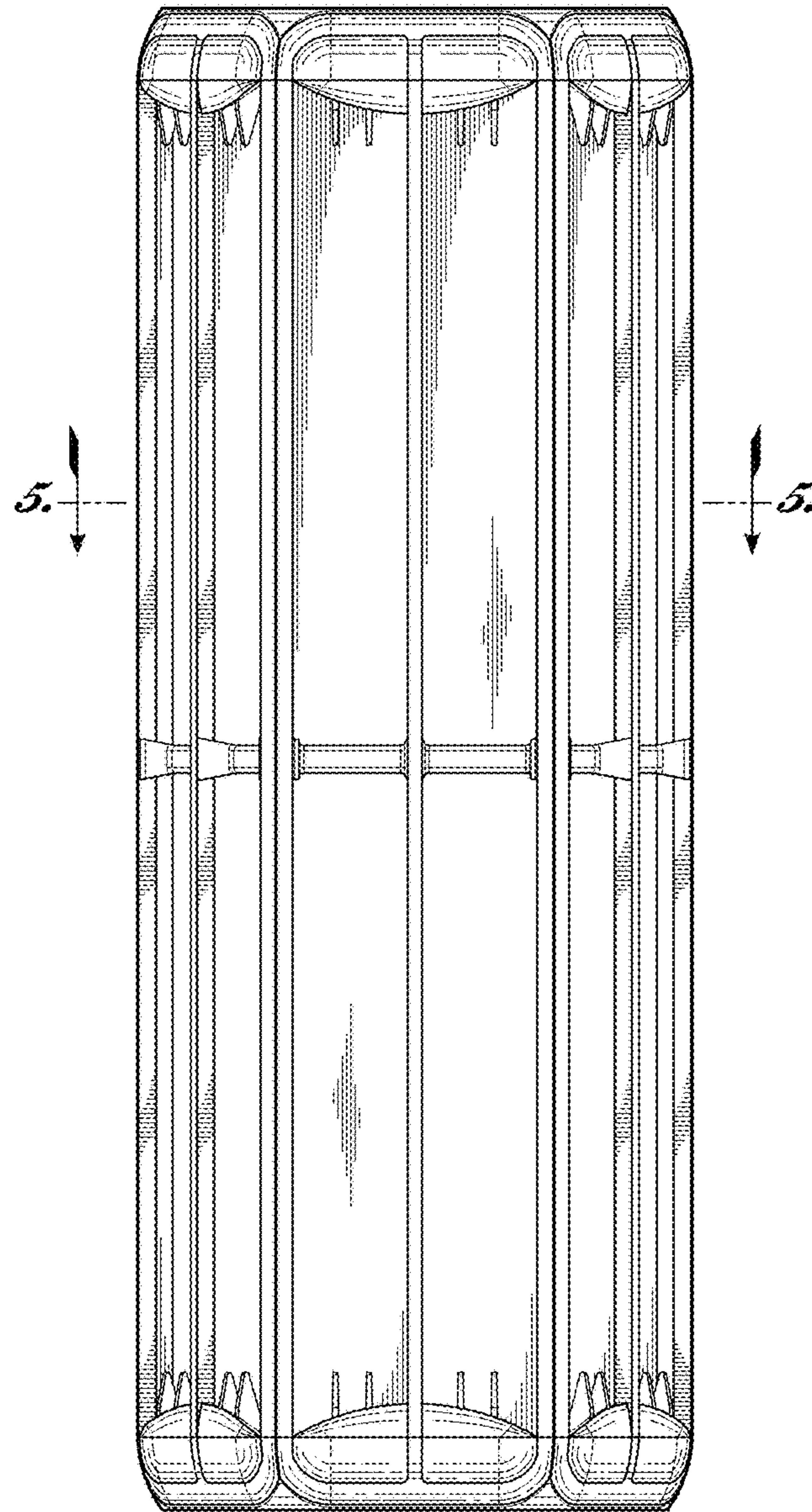


Fig. 2.

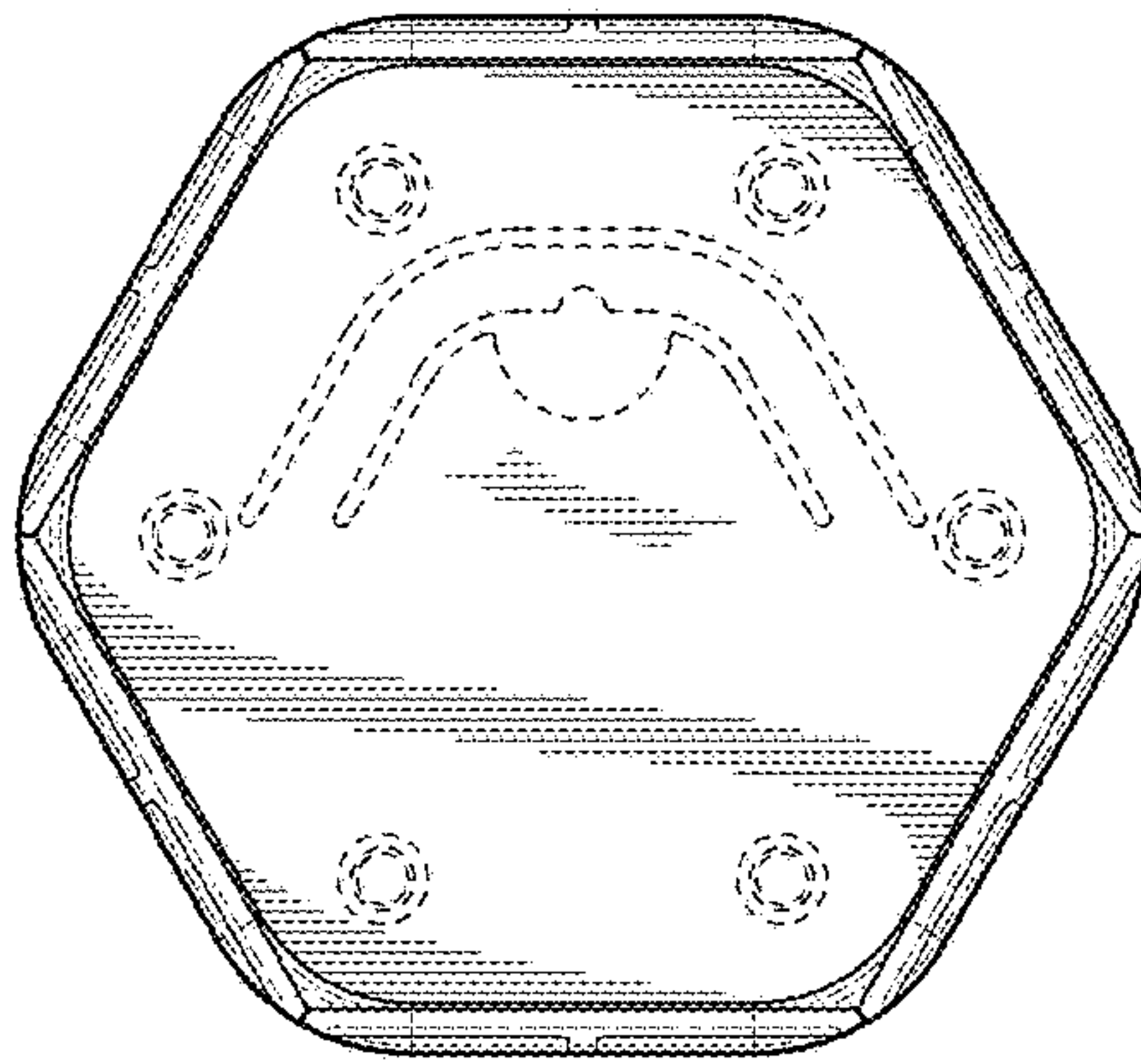


Fig. 3.

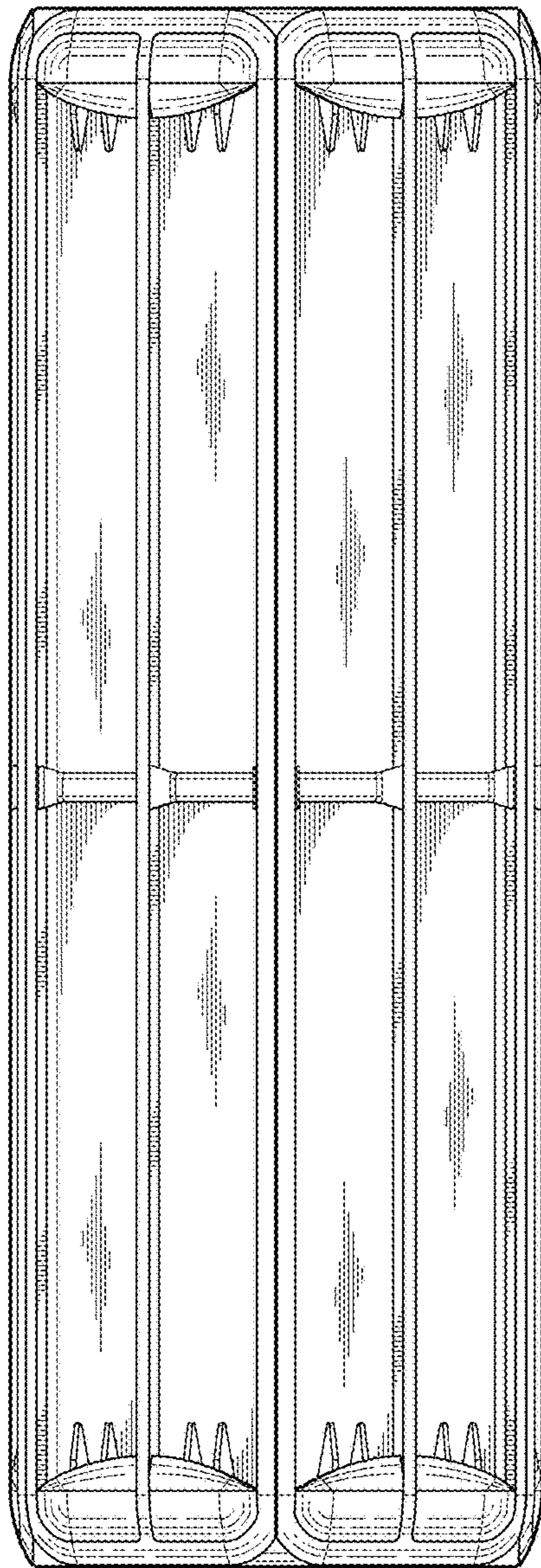


Fig. 4.

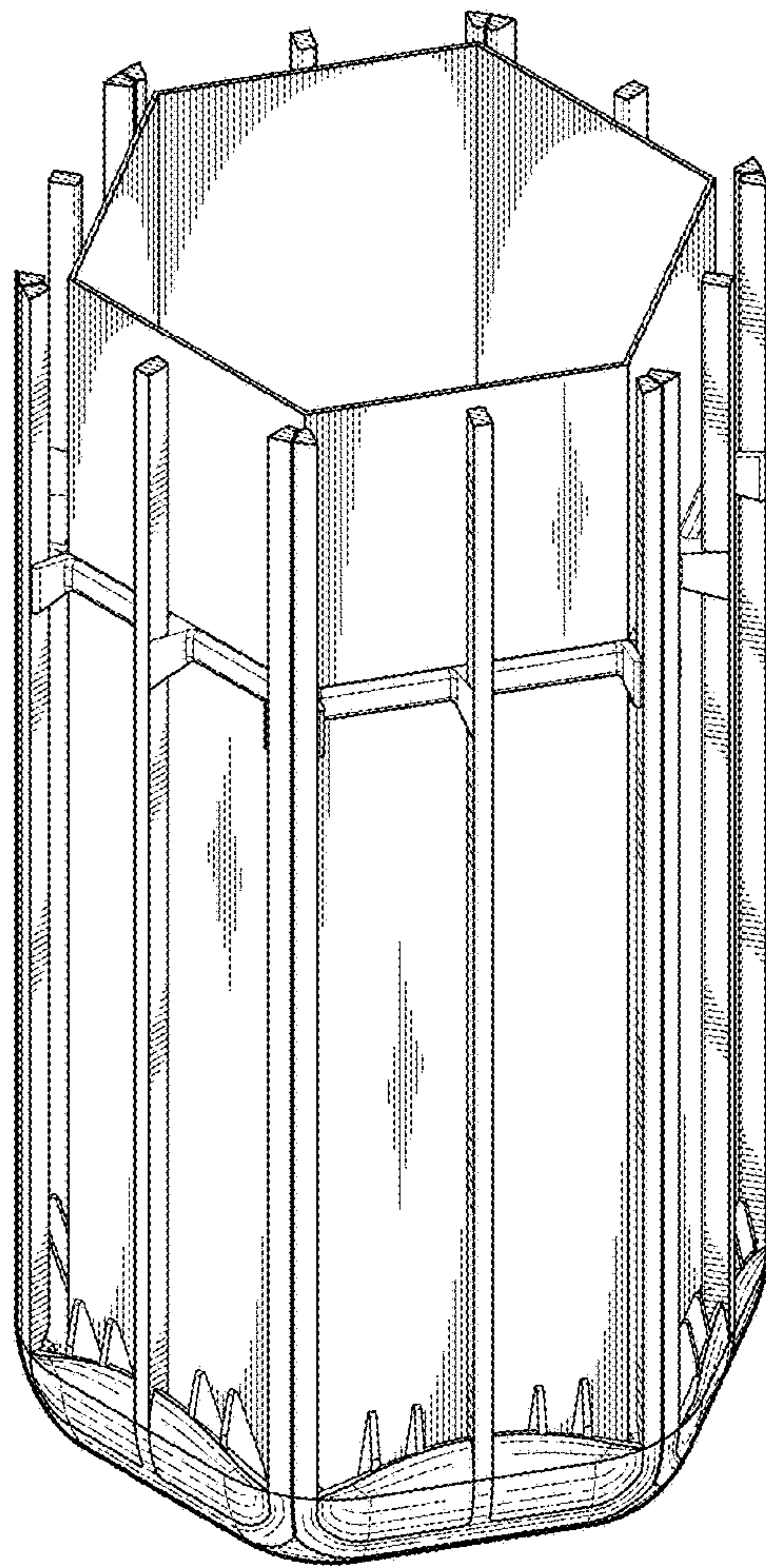


Fig. 5.