

US00D846058S

(12) **United States Design Patent** (10) **Patent No.:** **US D846,058 S**  
**Dennett** (45) **Date of Patent:** **\*\* Apr. 16, 2019**

(54) **GUN REST**  
 (71) Applicant: **Rodney Dennett**, Bentonville, AR (US)  
 (72) Inventor: **Rodney Dennett**, Bentonville, AR (US)

(\*\*) Term: **15 Years**

(21) Appl. No.: **29/636,436**

(22) Filed: **Feb. 8, 2018**

(51) **LOC (11) Cl.** ..... **22-01**

(52) **U.S. Cl.**

USPC ..... **D22/108**; D22/199; D6/552

(58) **Field of Classification Search**

USPC ..... D22/104–105, 107–110, 199;  
D21/571–575; D6/552

CPC ..... F41A 23/18; F41A 23/16; F41A 23/00;  
F41A 17/44; F41C 27/00; B60R 7/14;  
B60R 7/04; B60R 11/00

See application file for complete search history.

(56) **References Cited**

**U.S. PATENT DOCUMENTS**

4,409,751 A \* 10/1983 Goda ..... F41A 23/00  
42/94  
4,918,823 A \* 4/1990 Santiago ..... F41G 1/32  
42/132  
D369,416 S \* 4/1996 Davis ..... D22/199  
5,600,913 A \* 2/1997 Minneman ..... F41A 23/06  
211/64  
6,811,197 B1 \* 11/2004 Grabowski ..... B60R 7/04  
180/68.5  
D582,493 S \* 12/2008 Viljoen ..... D21/573  
D600,311 S \* 9/2009 Swan ..... D22/109  
D792,548 S \* 7/2017 Daniel ..... D22/108  
D817,026 S \* 5/2018 Sammut ..... D6/552  
D821,534 S \* 6/2018 Couie ..... D22/108

2004/0231221 A1 \* 11/2004 Latschaw ..... A01M 31/025  
43/1  
2004/0245796 A1 \* 12/2004 Maierholzner ..... B60R 7/04  
296/37.8  
2012/0193254 A1 \* 8/2012 Kubiniec ..... A47B 81/005  
206/317

**FOREIGN PATENT DOCUMENTS**

FR 2789641 A1 \* 8/2000 ..... B60R 7/04

**OTHER PUBLICATIONS**

Gun rack, posted at Ford F150 Forum, posting date Jan. 14, 2013. [Site visited Nov. 2, 2018] URL: <<https://www.f150forum.com/f6/gun-rack-188062/>> (Year: 2013).\*

Heracles Research ConsoleBunker, posted at Personal Defense World, posting date Nov. 7, 2012. [Site visited Nov. 2, 2018] URL: <<https://www.personaldefenseworld.com/2012/11/heracles-research-consolebunker/>> (Year: 2012).\*

\* cited by examiner

*Primary Examiner* — Kevin K Rudzinski

*Assistant Examiner* — Kathleen L Jones

(74) *Attorney, Agent, or Firm* — Wright Lindsey Jennings, LLP; Meredith K. Lowry

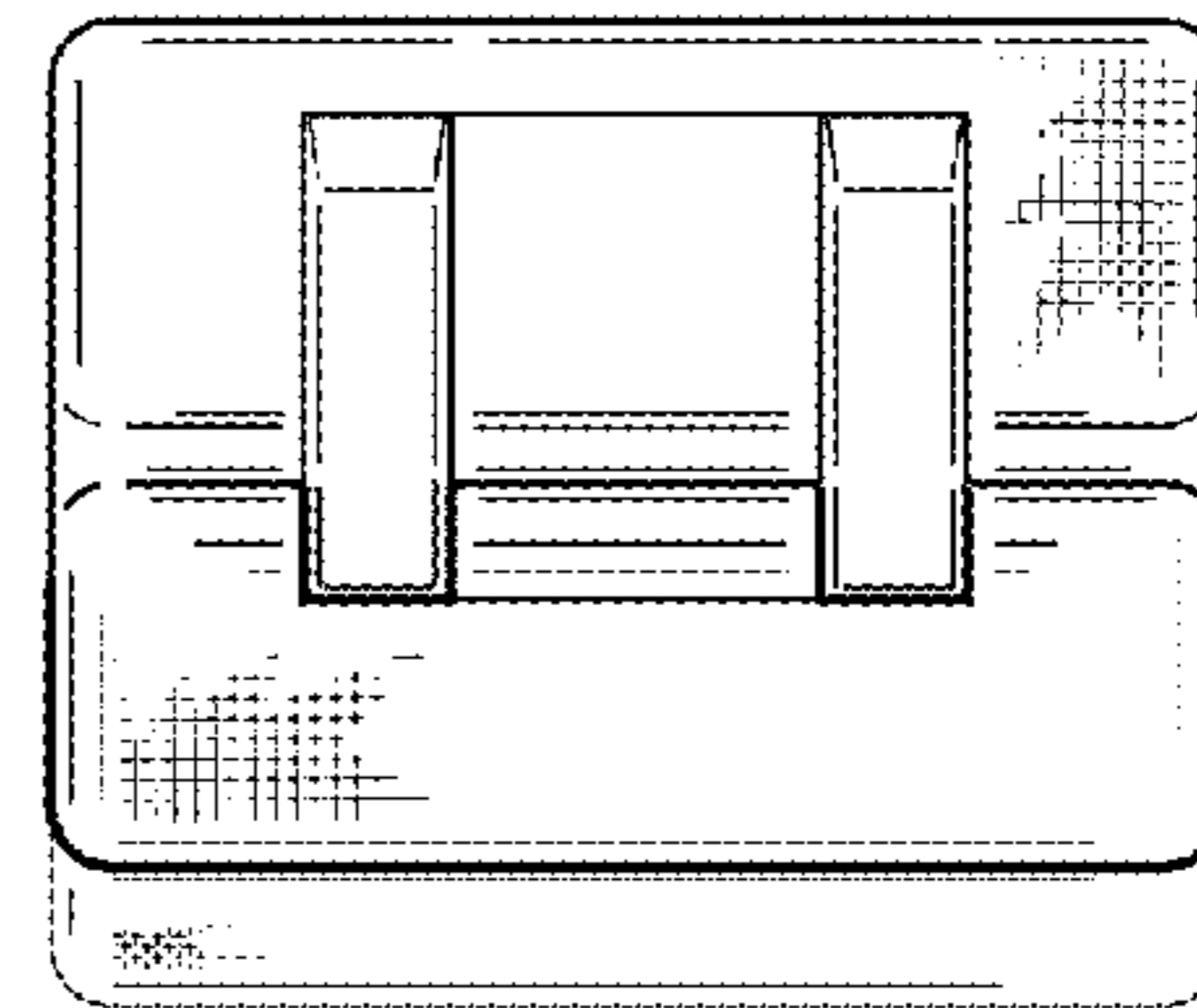
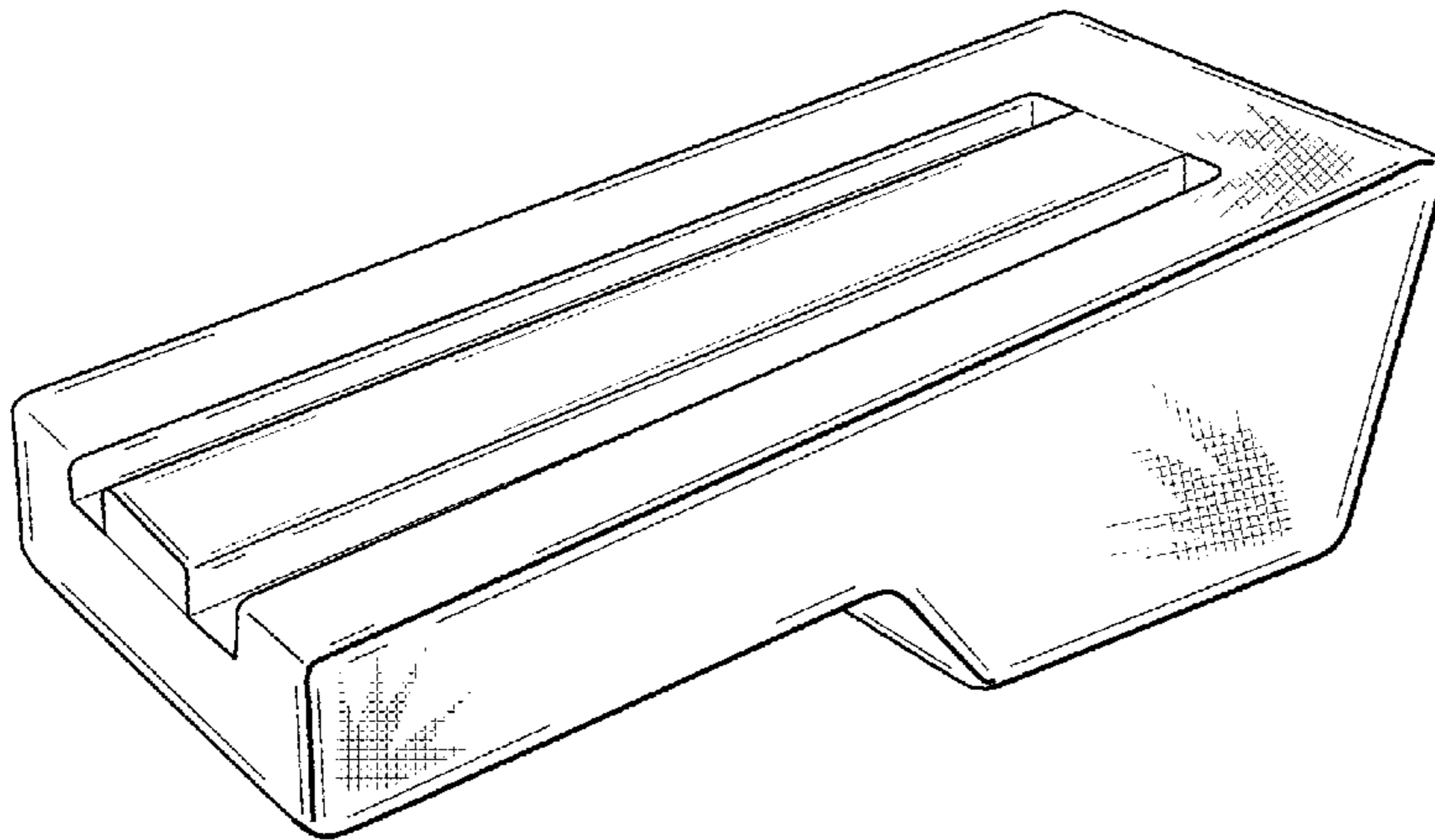
(57) **CLAIM**

The ornamental design for a gun rest, as shown.

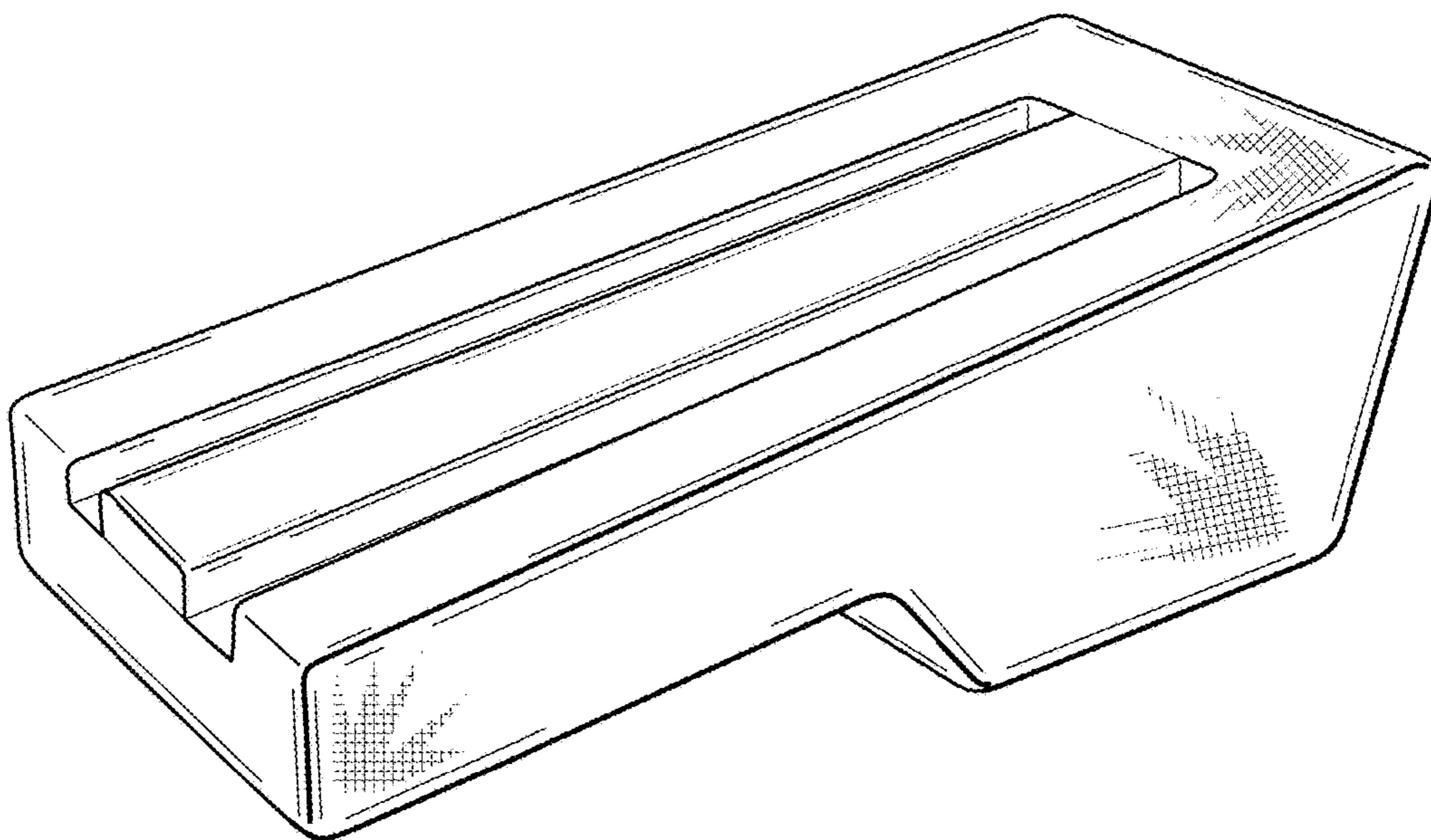
**DESCRIPTION**

FIG. 1 is a perspective view of the top of the gun rest;  
 FIG. 2 is a top view of the gun rest;  
 FIG. 3 is a bottom view thereof;  
 FIG. 4 is a right side view thereof;  
 FIG. 5 is a left side view thereof;  
 FIG. 6 is a front plan view thereof; and,  
 FIG. 7 is a rear plan view thereof.

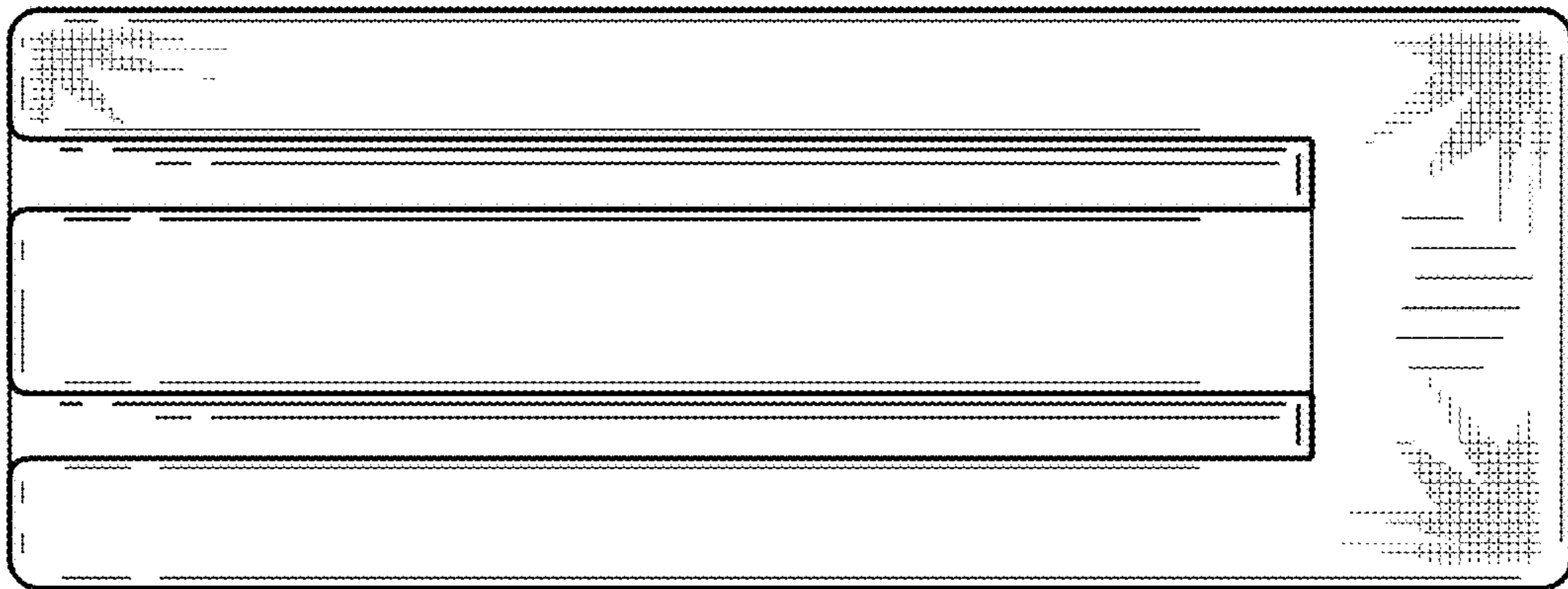
**1 Claim, 4 Drawing Sheets**



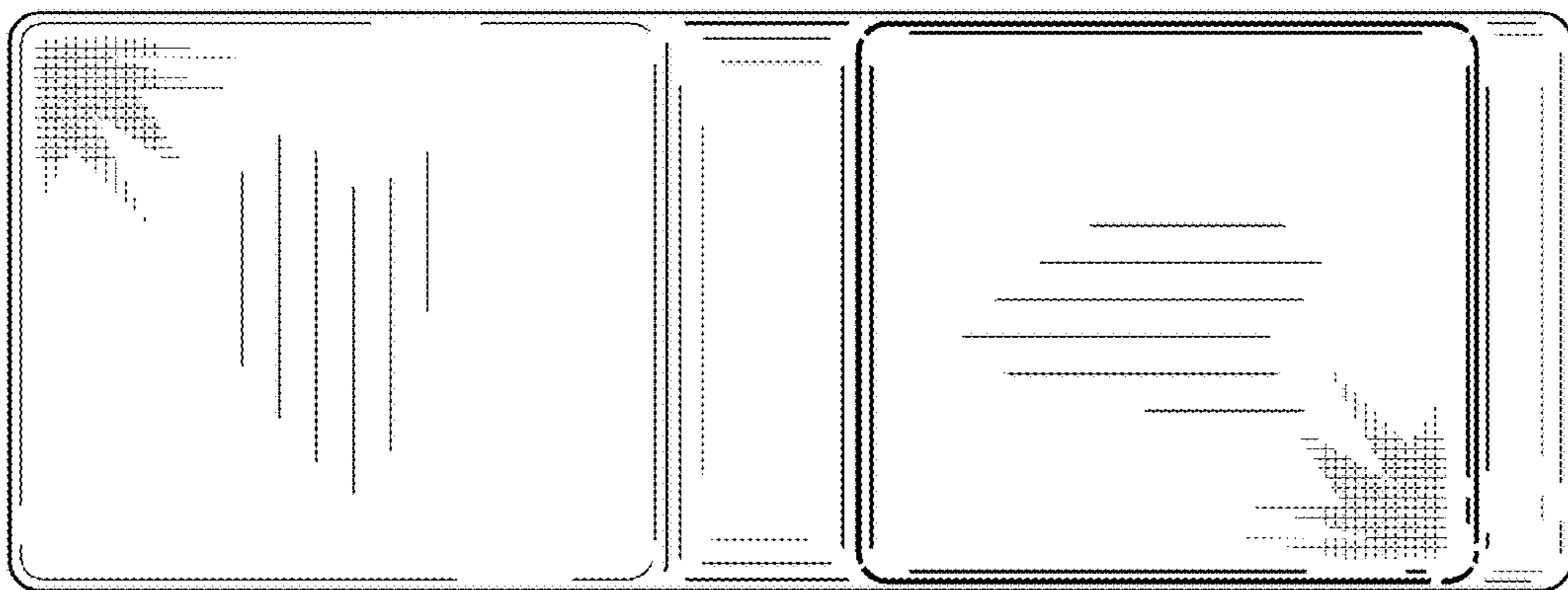
**FIG. 1**



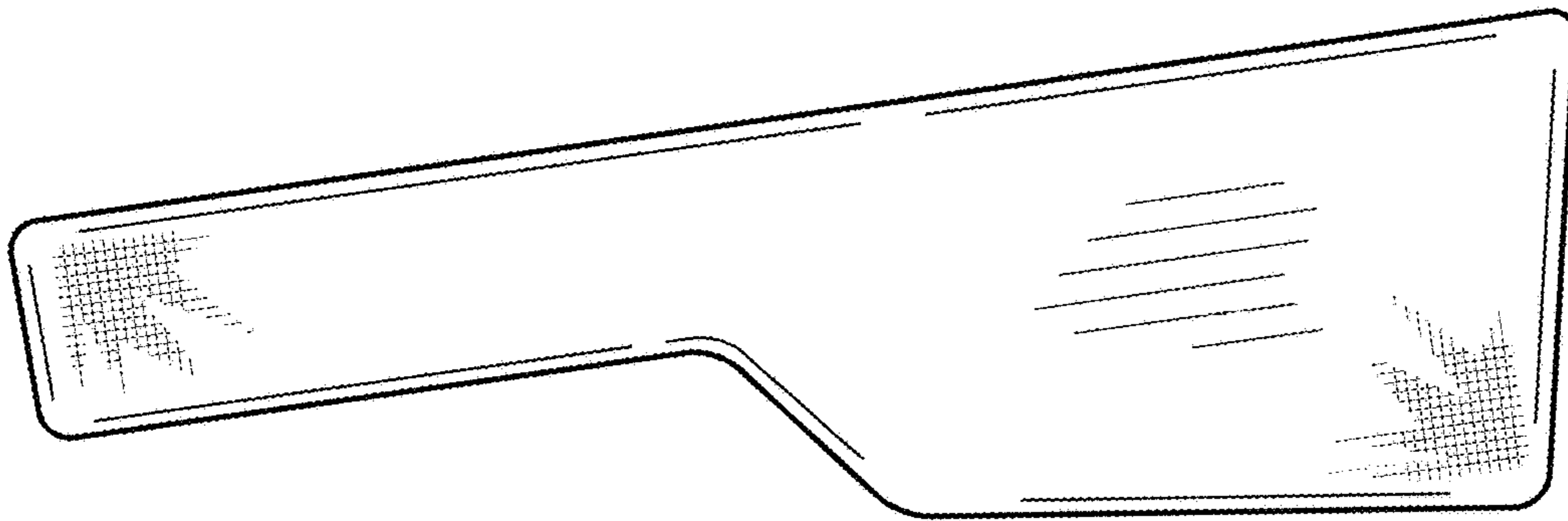
**FIG. 2**



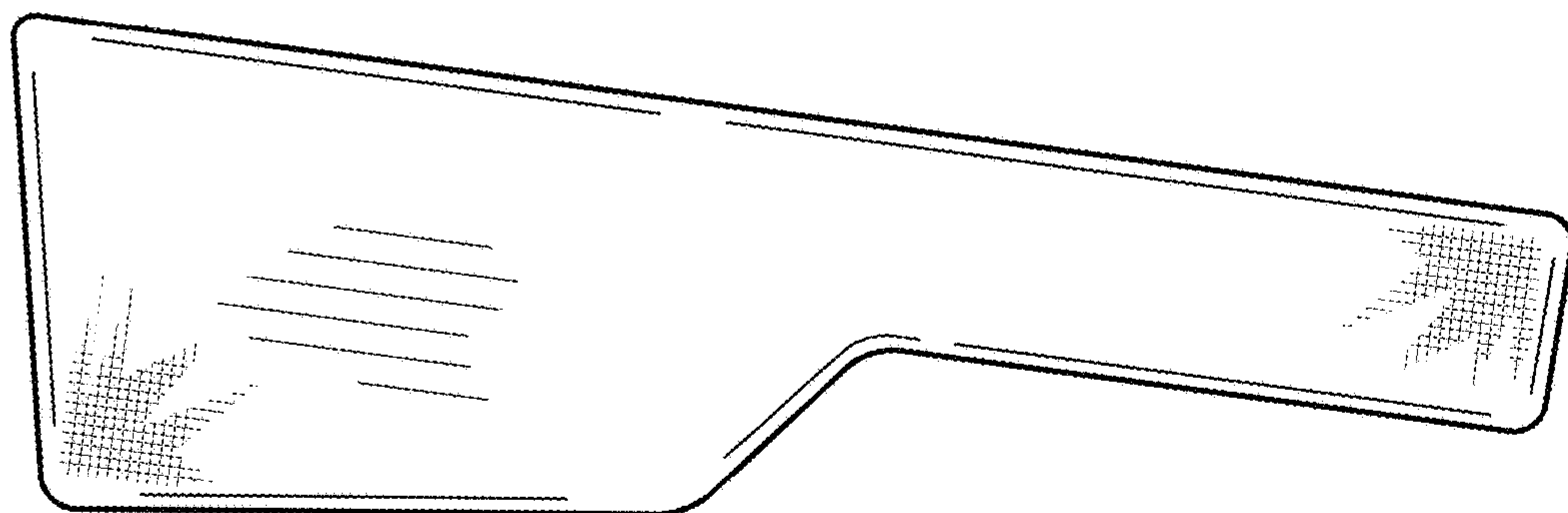
**FIG. 3**



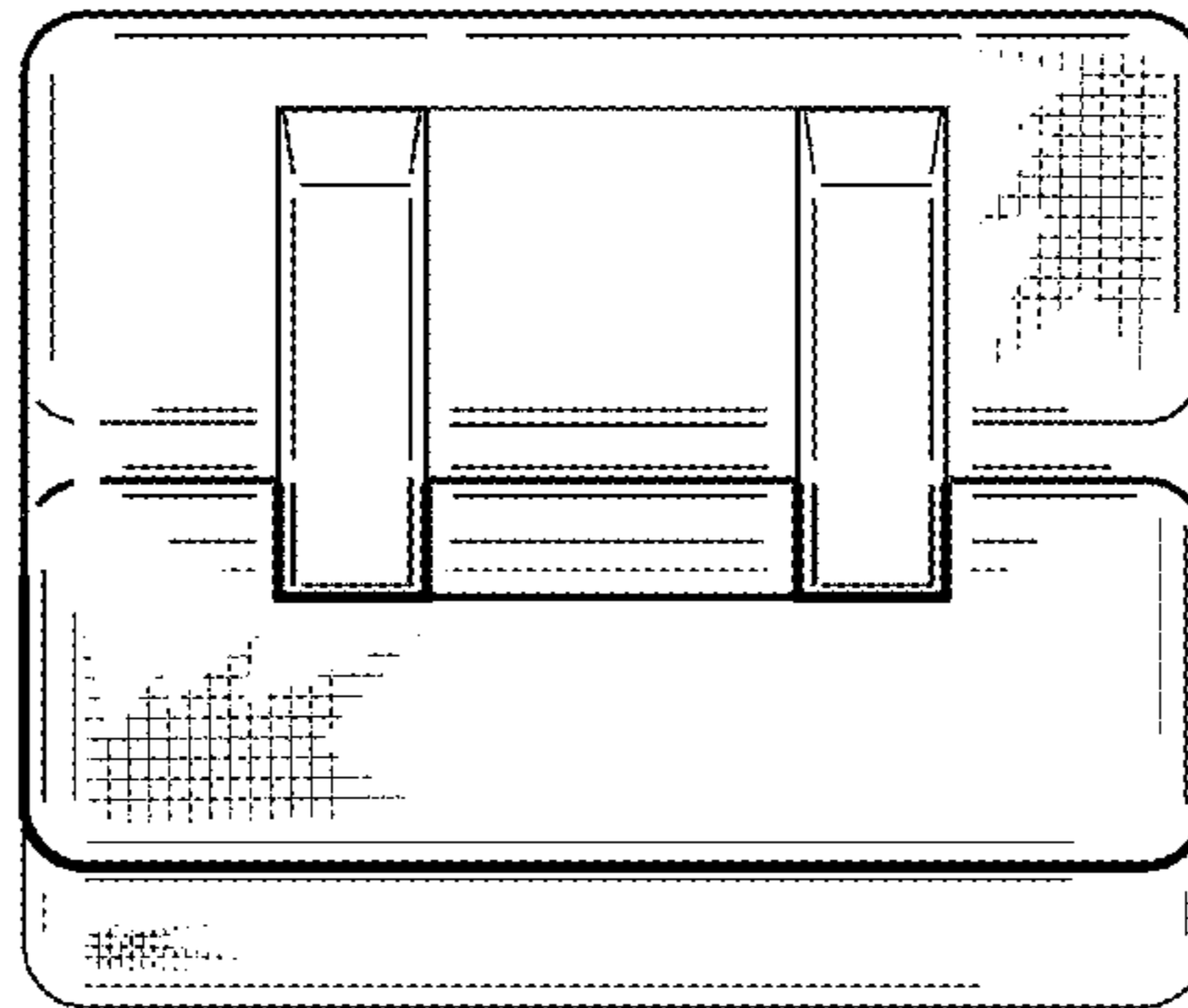
**FIG. 4**



**FIG. 5**



**FIG. 6**



**FIG. 7**

