

US00D846057S

(12) **United States Design Patent**
Cheng et al.

(10) **Patent No.:** **US D846,057 S**
(45) **Date of Patent:** **** Apr. 16, 2019**

(54) **HAND GRIP WITH FLASHLIGHT**

(71) Applicants: **Carson Cheng**, City of Industry, CA (US); **Jason Michael Cheng**, City of Industry, CA (US)

(72) Inventors: **Carson Cheng**, City of Industry, CA (US); **Jason Michael Cheng**, City of Industry, CA (US)

(73) Assignee: **NcSTAR, Inc.**, City of Industry, CA (US)

(**) Term: **15 Years**

(21) Appl. No.: **29/601,890**

(22) Filed: **Apr. 27, 2017**

(51) **LOC (11) Cl.** **22-01**

(52) **U.S. Cl.**
USPC **D22/108**

(58) **Field of Classification Search**
USPC D22/108-110
CPC F41G 1/35; F41G 1/345
See application file for complete search history.

(56) **References Cited**

U.S. PATENT DOCUMENTS

- 8,607,492 B2 * 12/2013 Hartley F41C 23/16 42/72
- D704,298 S * 5/2014 Cheng D22/109
- D709,159 S * 7/2014 Gibson D22/108

* cited by examiner

Primary Examiner — Michael A. Pratt

(74) *Attorney, Agent, or Firm* — Raymond Y. Chan; David and Raymond Patent Firm

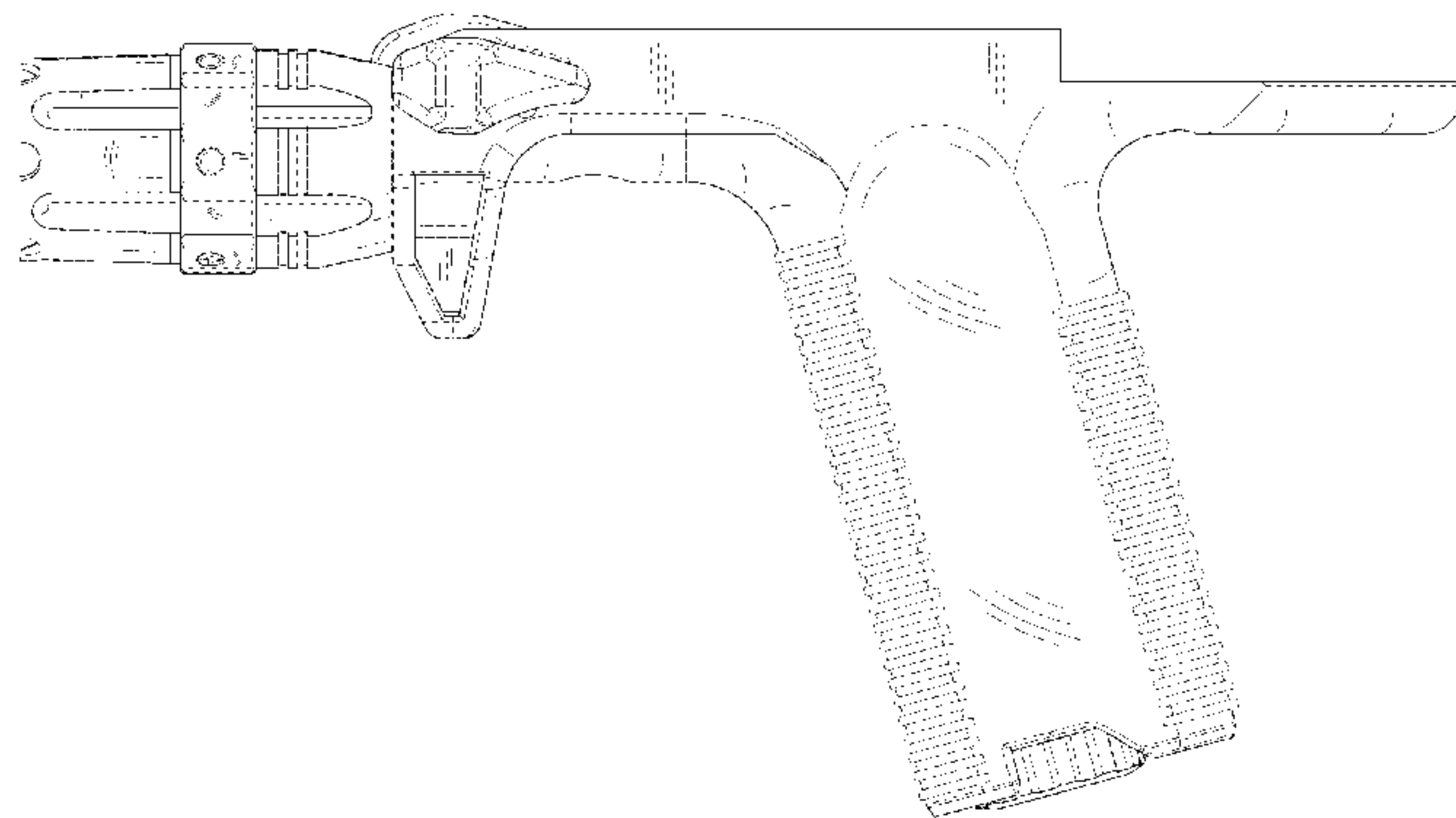
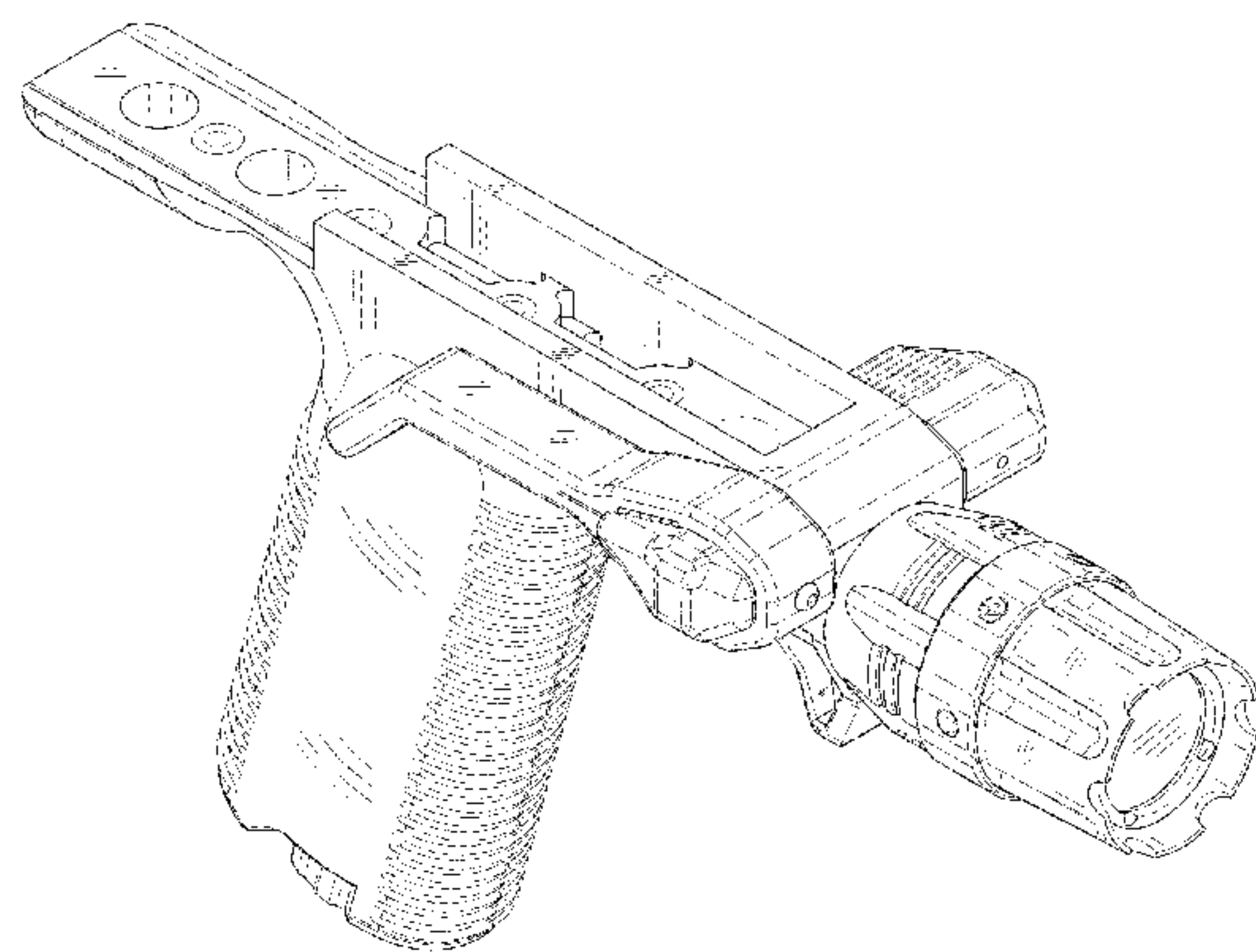
(57) **CLAIM**

The ornamental design for a hand grip with flashlight, as shown and described.

DESCRIPTION

FIG. 1 is a perspective view of a hand grip with flashlight showing our new design;
 FIG. 2 is a rear perspective view of the hand grip with flashlight;
 FIG. 3 is a bottom perspective view of the hand grip with flashlight;
 FIG. 4 is a left view of the hand grip with flashlight;
 FIG. 5 is a right view of the hand grip with flashlight;
 FIG. 6 is a front view of the hand grip with flashlight;
 FIG. 7 is a rear view of the hand grip with flashlight;
 FIG. 8 is a top view of the hand grip with flashlight;
 FIG. 9 is a bottom view of the hand grip with flashlight;
 FIG. 10 is a perspective view of the hand grip with flashlight coupled with KeyMod mounting;
 FIG. 11 is a perspective view of the hand grip with flashlight coupled with Weaver rail mounting; and,
 FIG. 12 is a perspective view of the hand grip with flashlight coupled with M-Lok mounting.
 The broken lines represent unclaimed portions of the design article. All of the broken lines forms no part of the claimed design.

1 Claim, 12 Drawing Sheets



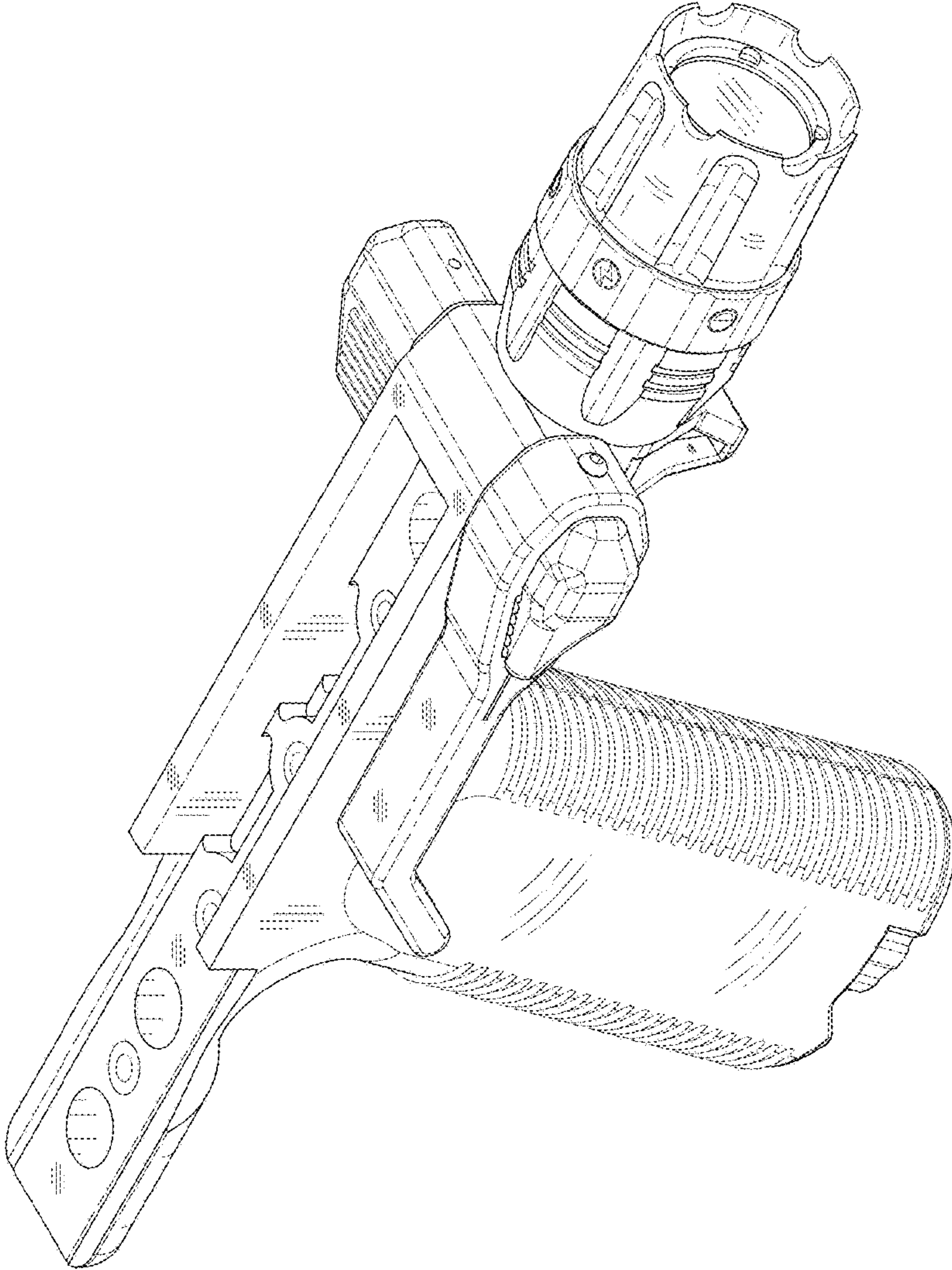


FIG.1

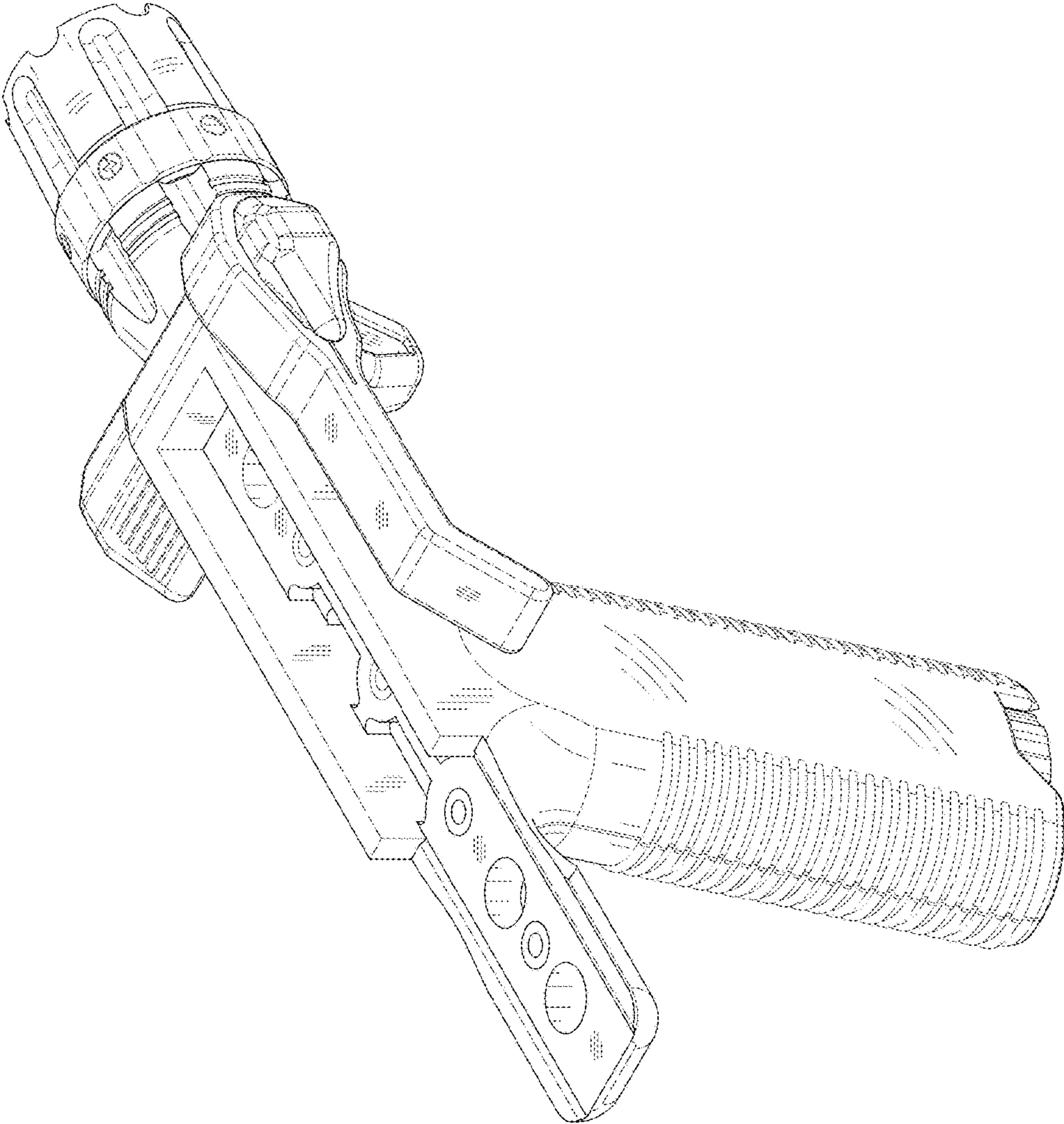


FIG.2

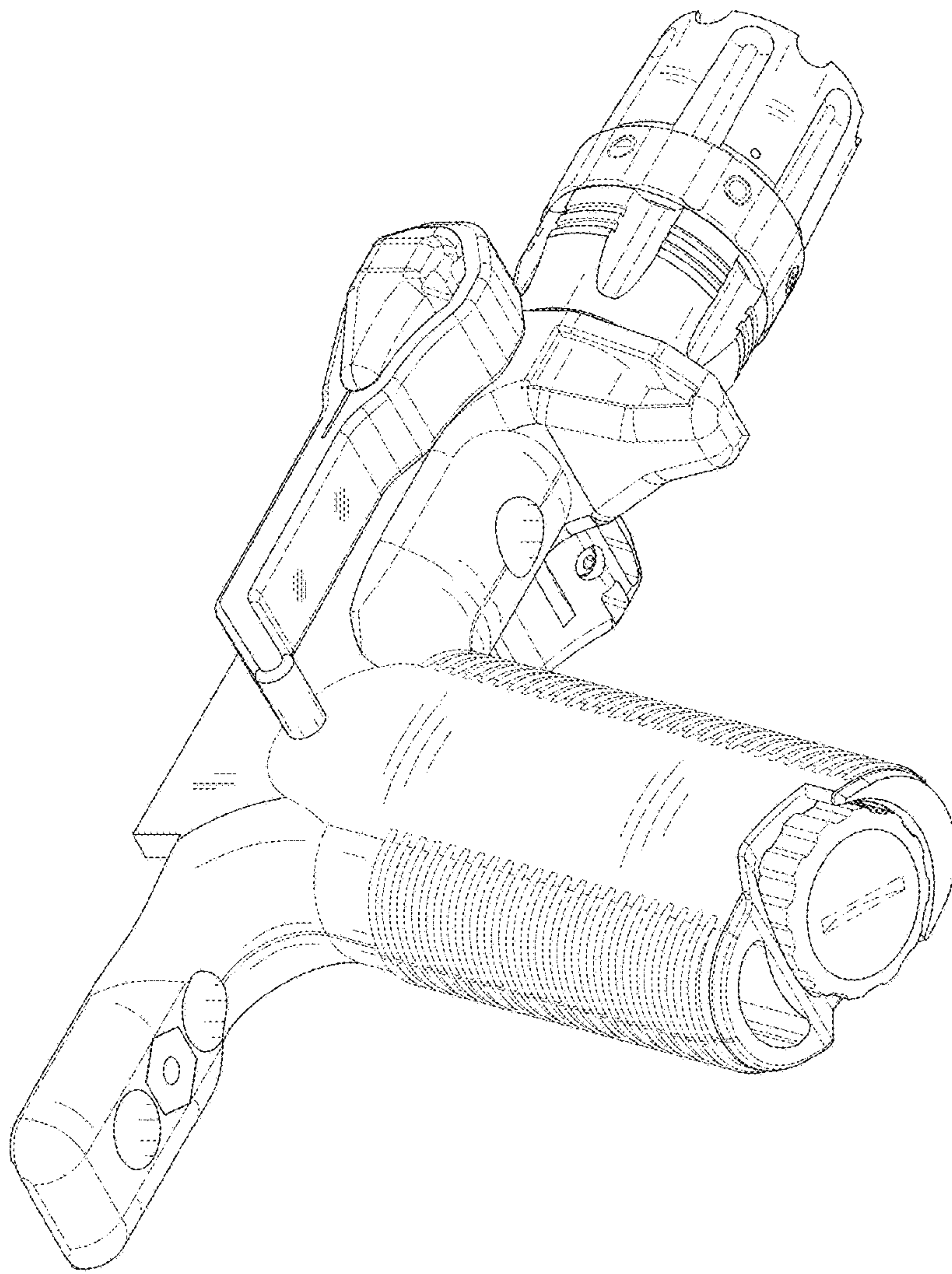


FIG.3

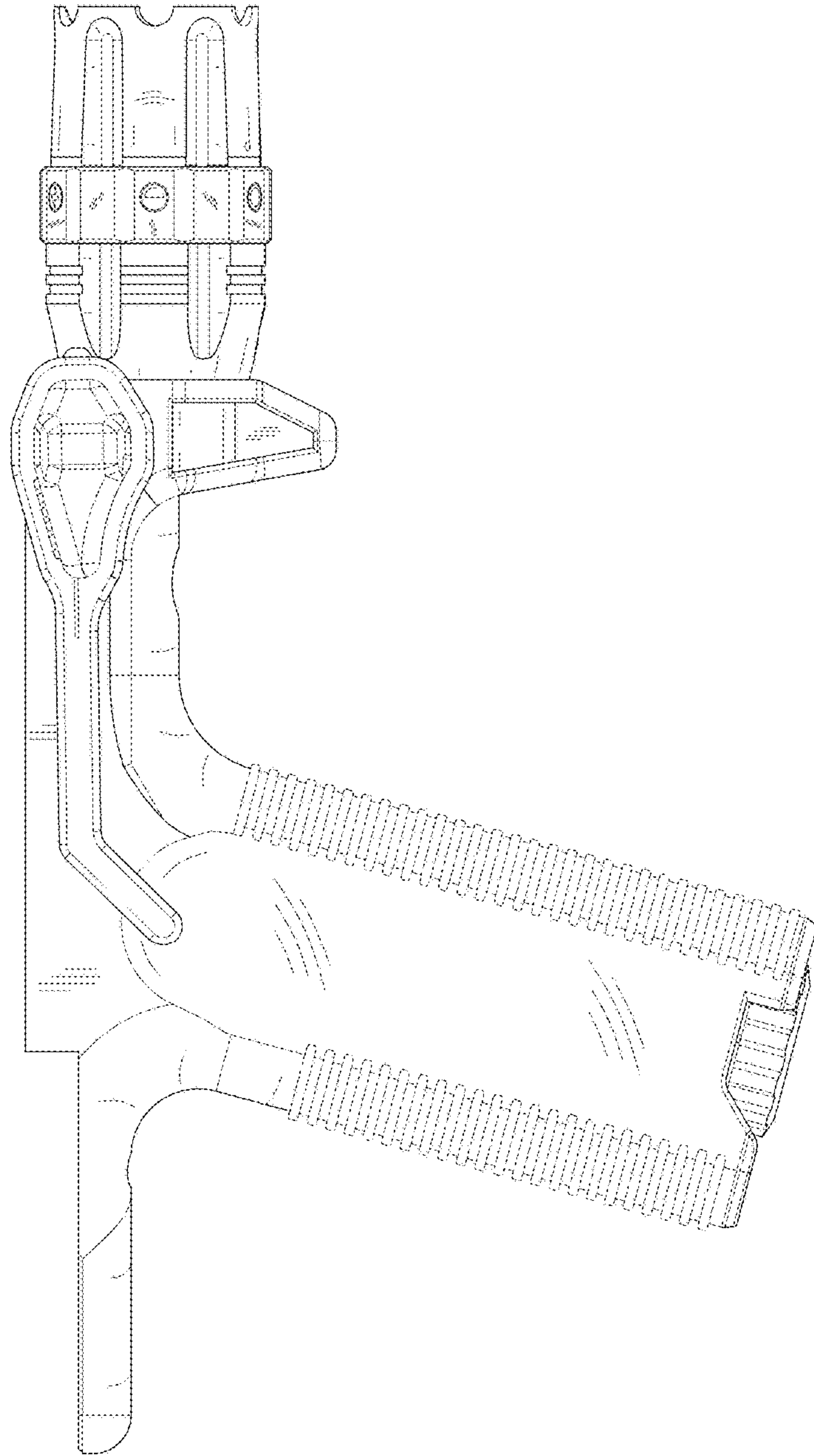


FIG.4

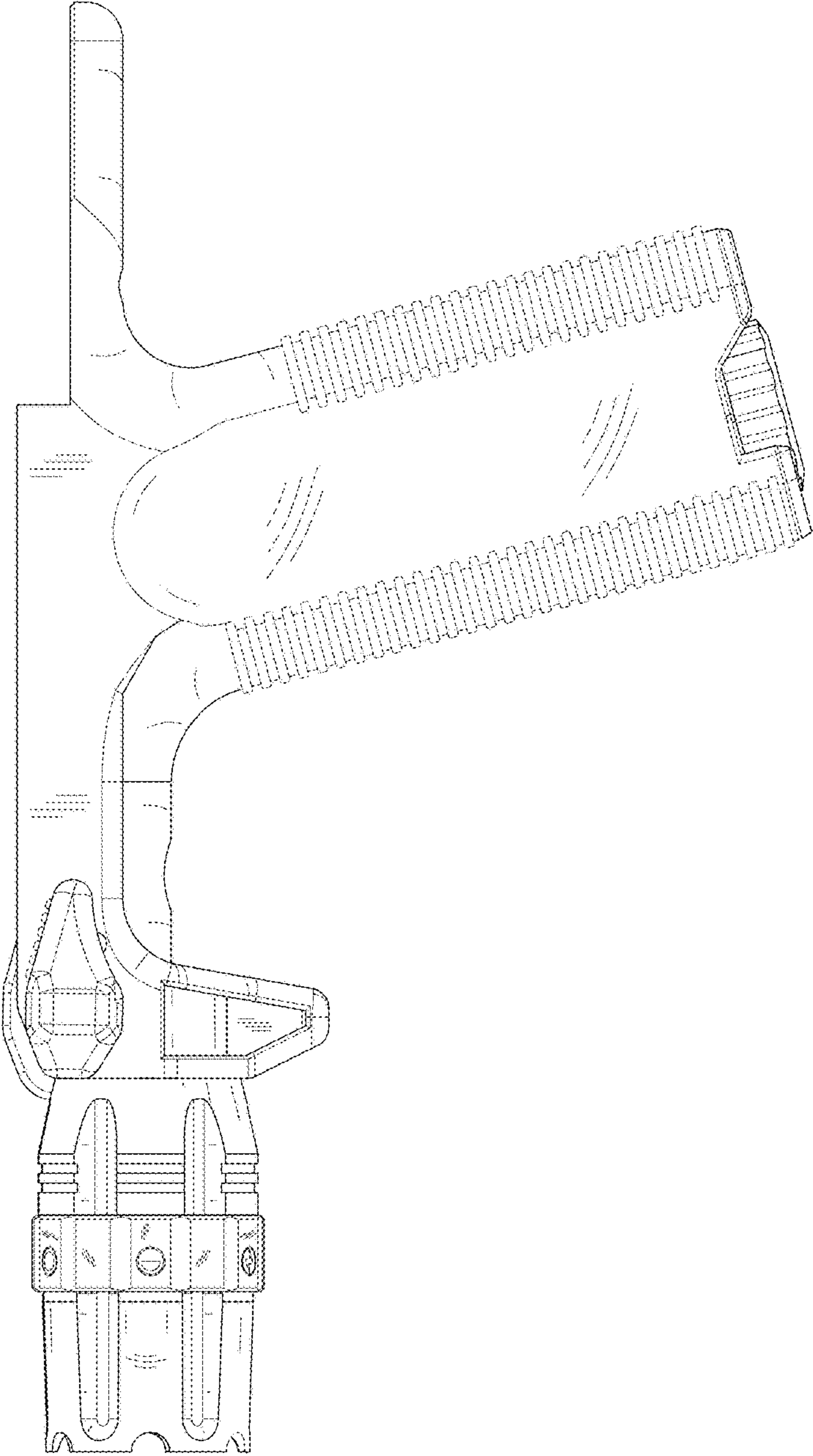


FIG.5

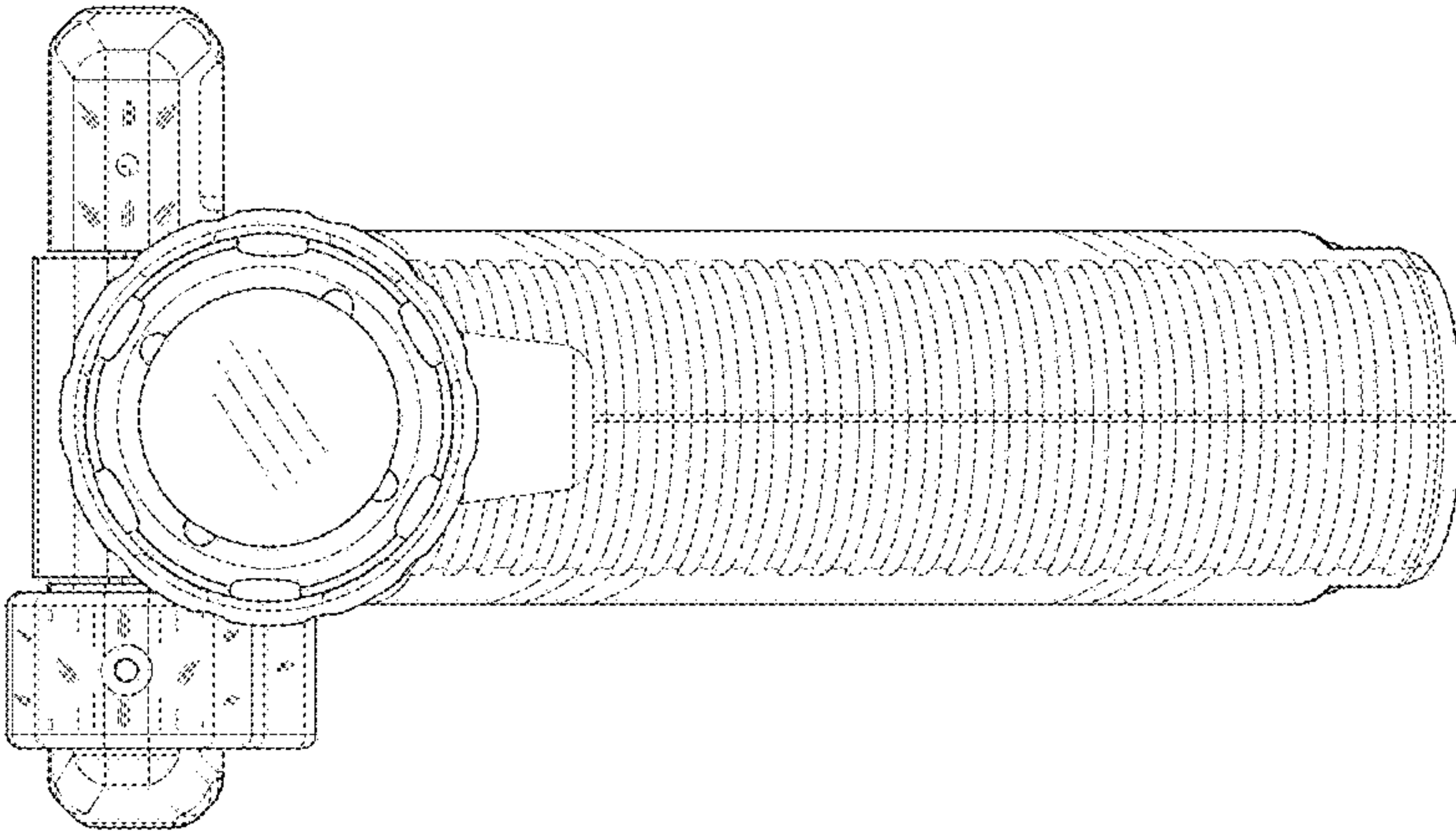


FIG.6

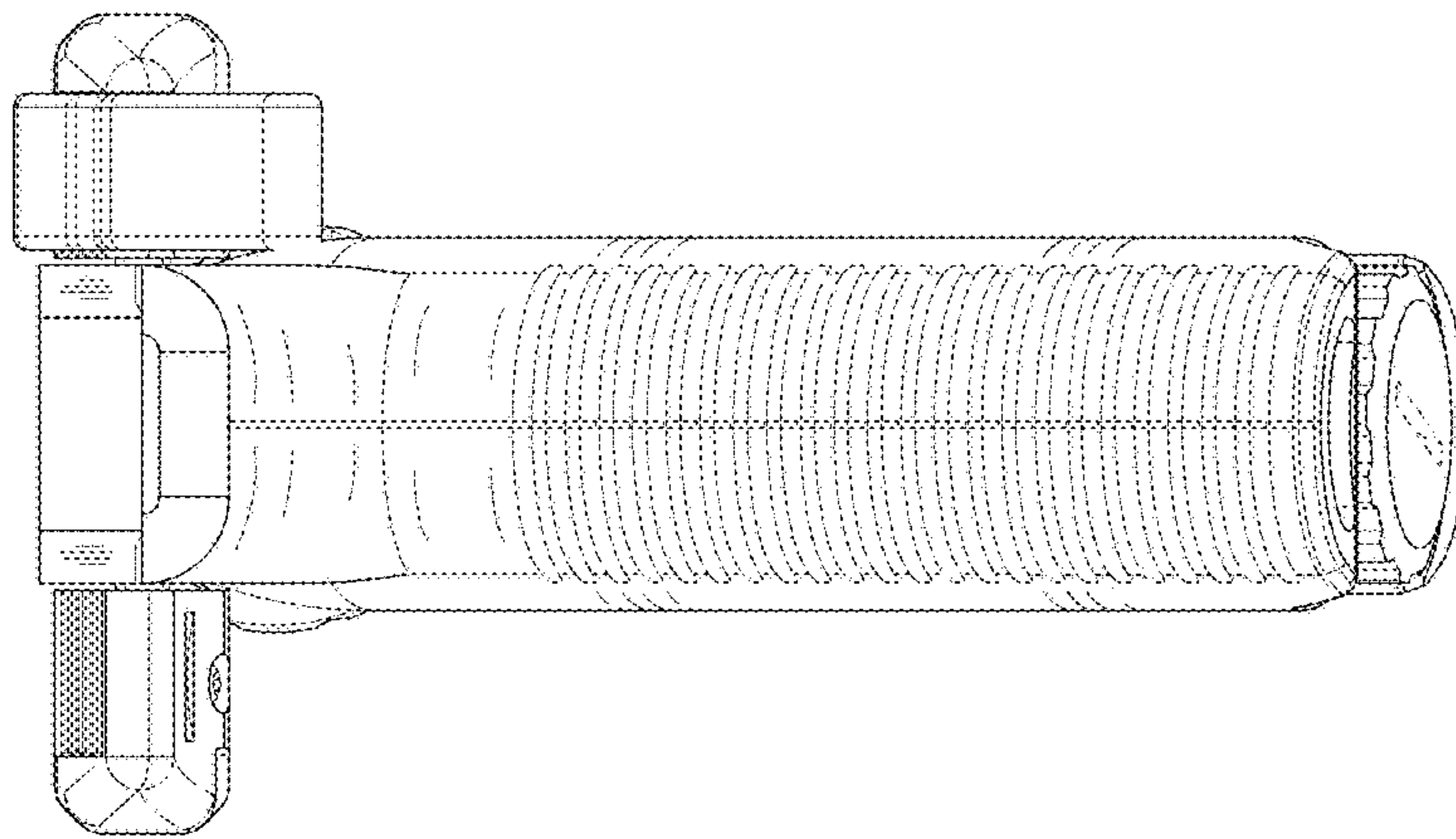


FIG.7

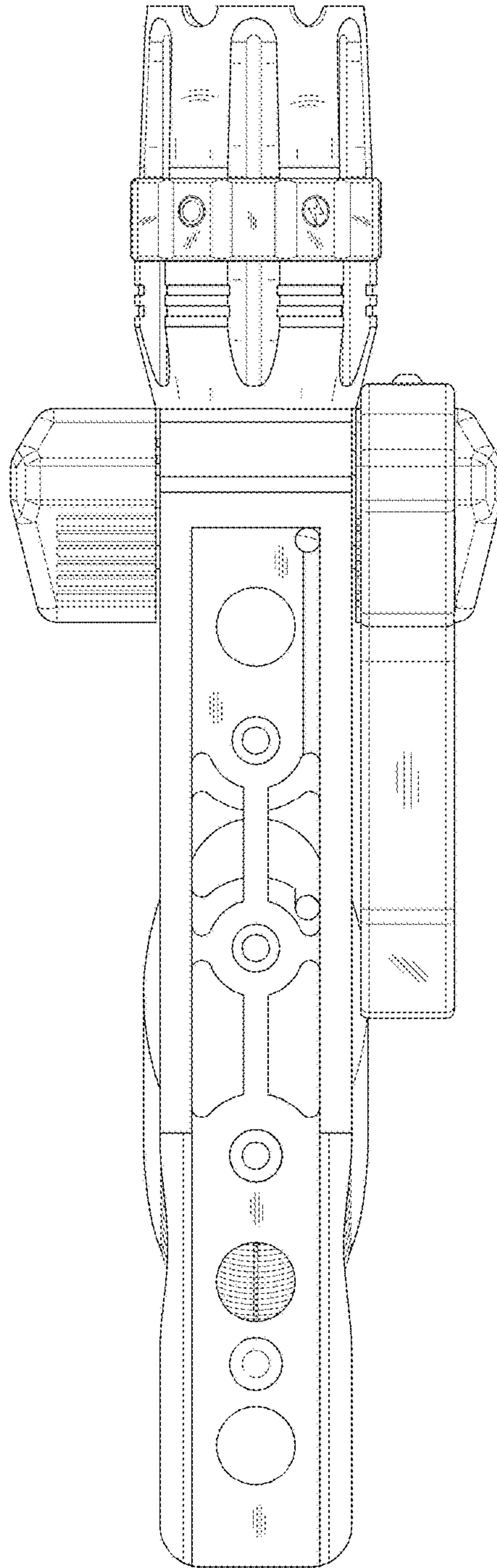


FIG. 8

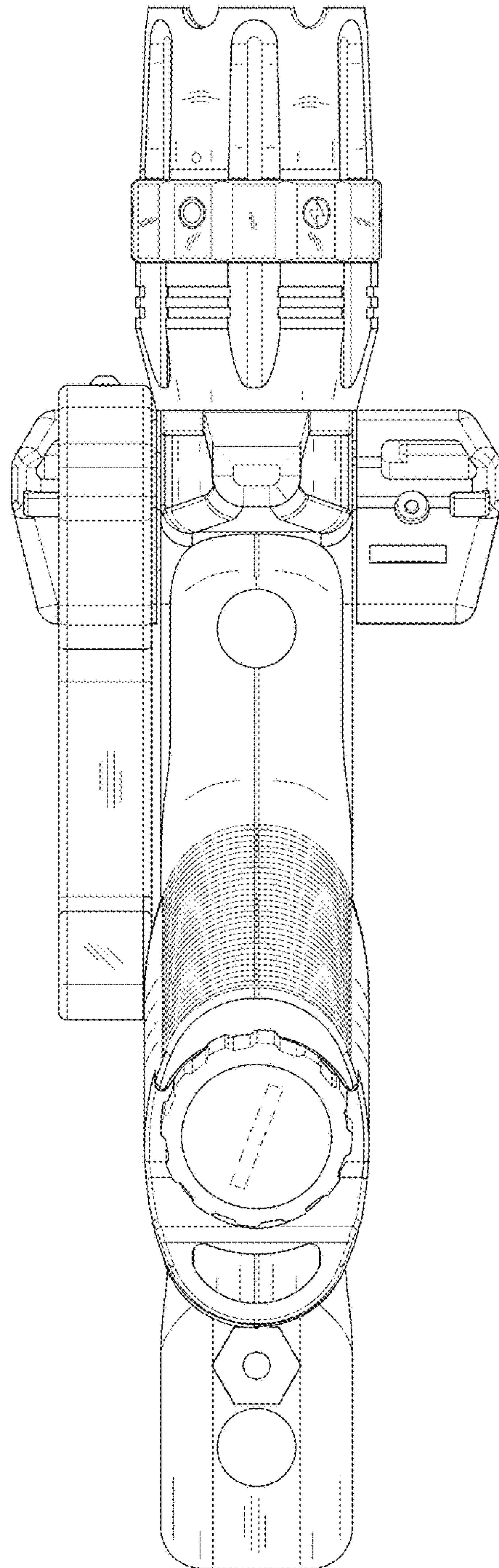


FIG. 9

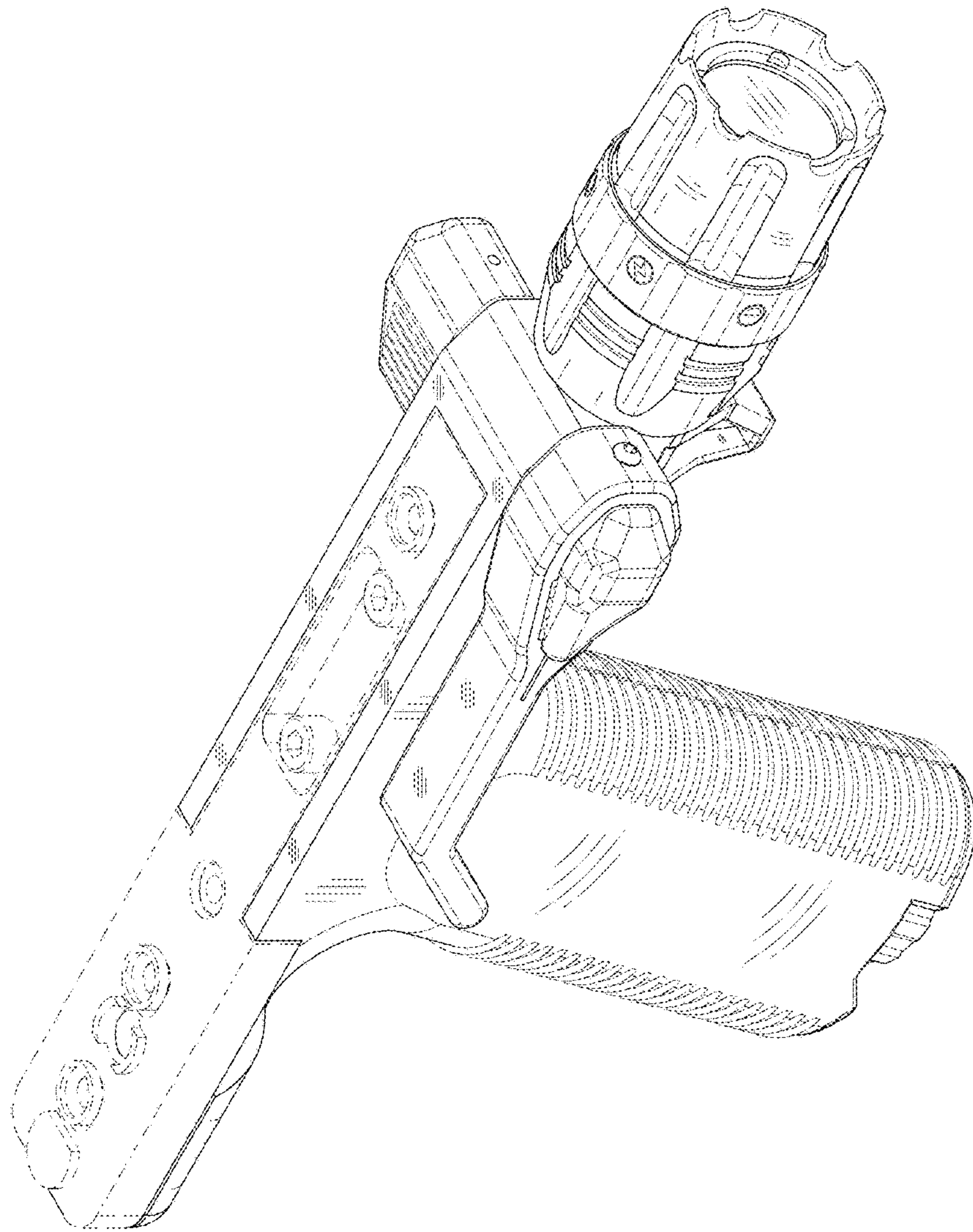


FIG.10

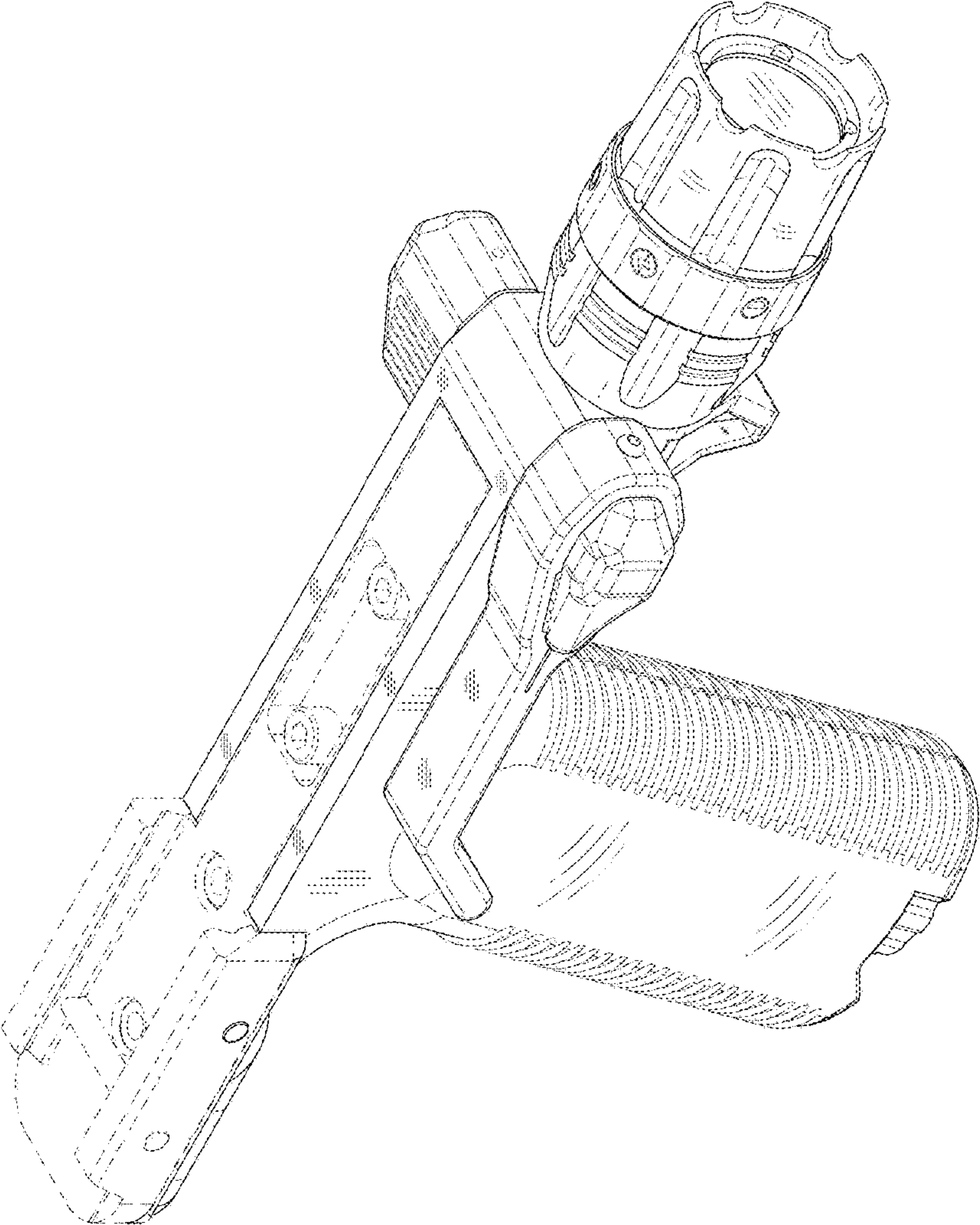


FIG.11

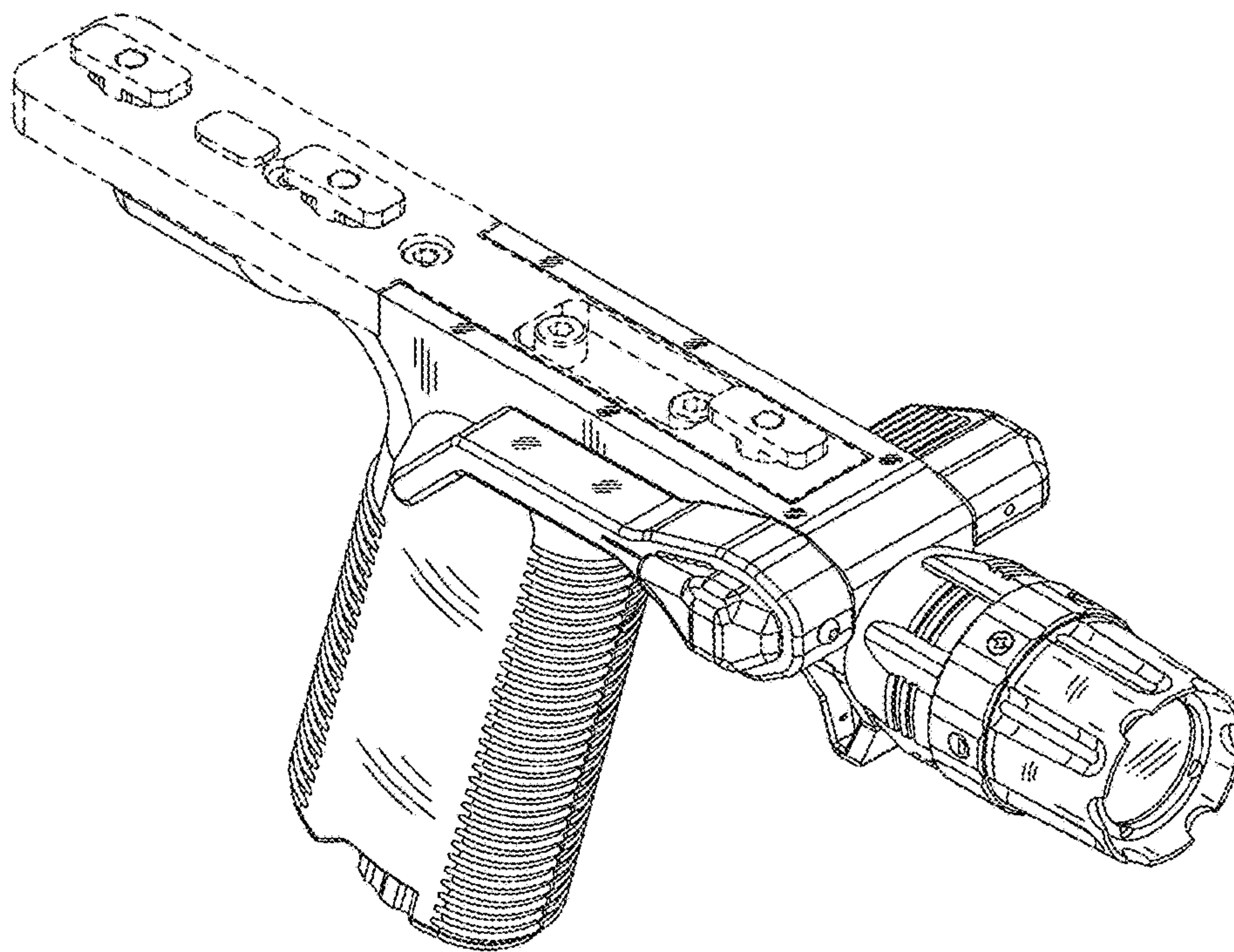


FIG.12