

US00D846056S

(12) **United States Design Patent**
Hefer et al.

(10) **Patent No.:** **US D846,056 S**

(45) **Date of Patent:** **** Apr. 16, 2019**

- (54) **PISTOL MAGAZINE LOADER**
- (71) Applicant: **VISTA OUTDOOR OPERATIONS LLC, Farmington, UT (US)**
- (72) Inventors: **Brandon Thomas Hefer, St. Louis, MO (US); Brandon Karl Trostrud, St. Louis, MO (US); Sean Higgs, St. Louis, MO (US)**
- (73) Assignee: **VISTA OUTDOOR OPERATIONS LLC, Farmington, UT (US)**
- (**) Term: **15 Years**
- (21) Appl. No.: **29/591,049**
- (22) Filed: **Jan. 16, 2017**

Related U.S. Application Data

- (63) Continuation-in-part of application No. 29/576,953, filed on Sep. 8, 2016, now Pat. No. Des. 824,477.
- (51) **LOC (11) Cl.** **22-01**
- (52) **U.S. Cl.**
USPC **D22/108**
- (58) **Field of Classification Search**
USPC D22/108
CPC F41A 9/83; F41A 9/82
See application file for complete search history.

(56) **References Cited**

U.S. PATENT DOCUMENTS

1,786,537 A	12/1930	Holek
1,840,477 A	1/1932	Frommer
2,014,177 A	9/1935	Herlach et al.
2,137,491 A	11/1938	Huff
2,191,130 A	2/1940	Ludwig
2,210,931 A	8/1940	Harris
2,345,593 A	4/1944	Garand
2,362,109 A	11/1944	Whitmore

2,394,033 A	2/1946	Wossum
2,403,012 A	7/1946	McPheters
2,451,521 A	10/1948	Uglum
2,452,600 A	11/1948	Pool et al.
2,462,836 A	3/1949	Barker et al.
2,466,017 A	4/1949	Farber
2,493,048 A	1/1950	Wangrow
2,514,277 A	7/1950	Donallan
2,531,387 A	11/1950	Bilodeau
2,659,173 A	11/1953	Capito
2,783,570 A	3/1957	Kunz
2,803,985 A	8/1957	Hull
2,830,498 A	4/1958	Maillard
2,834,137 A	5/1958	Kunz
2,856,720 A	10/1958	Kunz
2,862,324 A	12/1958	Ball
2,885,811 A	5/1959	Womble, Jr.

(Continued)

Primary Examiner — Michael A. Pratt

(74) *Attorney, Agent, or Firm* — Seyfarth Shaw LLP;
Brian Michaelis

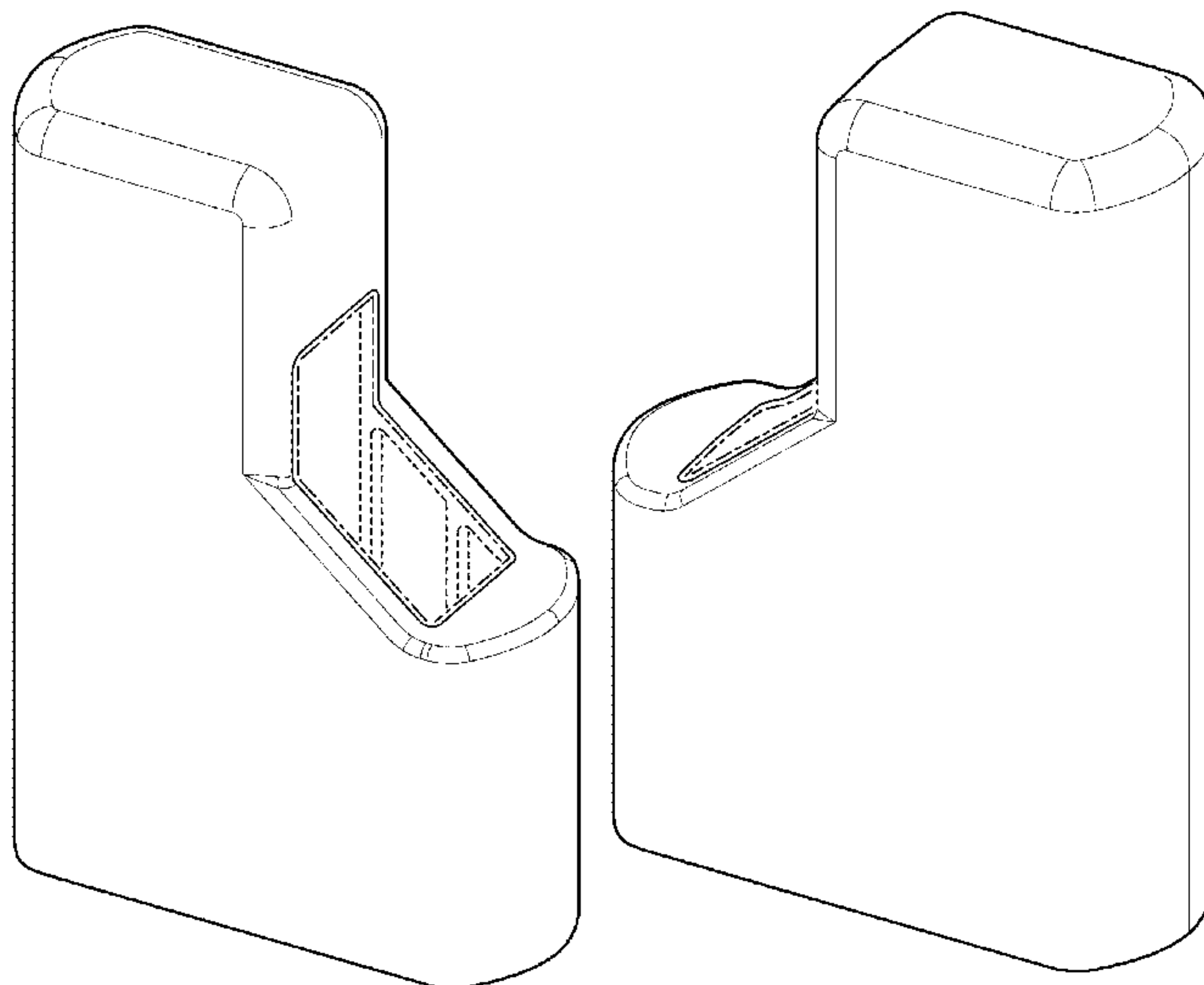
(57) **CLAIM**

We claim the ornamental design for a pistol magazine loader, as shown and described.

DESCRIPTION

FIG. 1 is a front, right side, top perspective view of a pistol magazine loader showing our new design; and, FIG. 2 is a rear, left side, top perspective view thereof. The bottom of the pistol magazine loader is not shown in the drawing and forms no part of the claimed design. Broken lines shown in the drawings form no part of the claimed design. The broken lines having alternating short and long dash lengths in the drawings depict boundaries between claimed and non-claimed subject matter. The boundaries themselves form no part of the claimed design. The broken lines having equal dash lengths in the drawings illustrate structure and/or features that form no part of the claimed design.

1 Claim, 2 Drawing Sheets



(56)

References Cited

U.S. PATENT DOCUMENTS

			6,678,985 B2	1/2004	Pikula	
			6,807,764 B1	10/2004	Phillips	
			6,810,616 B2 *	11/2004	Tal	F41A 9/83 42/87
2,887,811 A	5/1959	Johnson, Jr.	6,817,134 B2	11/2004	Newman	
3,045,525 A	7/1962	Stadelmann	7,059,077 B2	6/2006	Tal et al.	
3,509,655 A	5/1970	Wilhelm	7,257,919 B1	8/2007	Farley	
3,526,028 A	9/1970	Winch	7,383,657 B2	6/2008	Pikielny	
3,710,497 A	1/1973	Musgrave	7,487,613 B2	2/2009	Taylor	
3,789,531 A	2/1974	Kersten	7,503,138 B2	3/2009	Tal et al.	
3,854,232 A	12/1974	Musgrave	D604,792 S	11/2009	Stanley	
3,939,590 A	2/1976	Musgrave	7,637,048 B2	12/2009	Tal et al.	
3,991,501 A	11/1976	Larsson	7,805,874 B2	10/2010	Tal et al.	
4,152,857 A	5/1979	Ketterer	8,065,830 B2	11/2011	Twardy	
4,291,483 A	9/1981	Musgrave	8,234,810 B2	8/2012	Lee, III	
4,304,062 A	12/1981	Pepe et al.	8,356,441 B2	1/2013	Meinel	
4,352,254 A	10/1982	Peter et al.	8,453,366 B2	6/2013	Gray	
4,392,321 A	7/1983	Bosworth	8,484,874 B2	7/2013	Kim	
4,425,834 A	1/1984	Lohmann	D700,266 S	2/2014	Tal et al.	
4,452,002 A	6/1984	Musgrave	8,650,792 B1	2/2014	Overmars	
4,464,855 A	8/1984	Musgrave	8,726,561 B1	5/2014	Hampton	
4,488,371 A	12/1984	Boyles	8,915,007 B1	12/2014	Williams	
4,538,371 A	9/1985	Howard	8,931,199 B1	1/2015	Cauley, Jr. et al.	
D282,680 S	2/1986	Boyles	D728,065 S	4/2015	Tal et al.	
4,570,371 A	2/1986	Mears	9,003,687 B2	4/2015	Cauley, Jr. et al.	
4,574,511 A	3/1986	Csongor	9,057,570 B1	6/2015	Tal et al.	
4,614,052 A	9/1986	Brown et al.	9,091,500 B1 *	7/2015	Kim	F41A 9/83
4,688,344 A	8/1987	Kim	9,115,943 B1	8/2015	Jordan	
4,689,909 A	9/1987	Howard	9,182,185 B2	11/2015	Hatch	
4,706,402 A	11/1987	Csongor	9,212,859 B1	12/2015	Tal et al.	
4,707,941 A	11/1987	Eastman	9,239,198 B2	1/2016	McPhee	
4,719,715 A	1/1988	Howard	9,273,917 B1	3/2016	Buckner	
4,736,667 A	4/1988	Kochevar et al.	D753,781 S	4/2016	Cauley, Jr. et al.	
4,739,572 A	4/1988	Brandenburg	9,303,934 B1	4/2016	Kazsuk	
D300,549 S	4/1989	Crow	D755,325 S	5/2016	Cauley, Jr. et al.	
4,827,651 A	5/1989	Conkey	D770,588 S	11/2016	Cauley, Jr. et al.	
4,829,693 A	5/1989	Holmes	D818,554 S *	5/2018	Hefer	D22/108
4,872,279 A	10/1989	Boat	D821,534 S *	6/2018	Couie	D22/108
4,879,829 A	11/1989	Miller et al.	2003/0046854 A1	3/2003	Urchek	
4,888,902 A	12/1989	Knowles	2003/0226306 A1	12/2003	Hines	
4,939,862 A	7/1990	Brandenburg et al.	2004/0159035 A1	8/2004	Newman	
4,949,495 A	8/1990	Mari	2007/0137086 A1	6/2007	Price	
4,970,820 A	11/1990	Miller et al.	2012/0192477 A1	8/2012	Kim	
4,993,180 A	2/1991	Upchurch	2012/0222343 A1	9/2012	Kim	
5,074,070 A	12/1991	Kuykendall	2013/0061505 A1	3/2013	Faifer	
5,129,173 A	7/1992	Kuykendall	2013/0232843 A1	9/2013	Bajuelo	
5,249,386 A	10/1993	Switzer	2014/0033592 A1	2/2014	Fiorucci	
5,301,449 A	4/1994	Jackson	2014/0223792 A1	8/2014	Socivoi	
5,355,606 A	10/1994	Origoni	2014/0298704 A1	10/2014	Niccum	
5,377,436 A	1/1995	Switzer	2014/0311008 A1	10/2014	McPhee	
5,402,594 A	4/1995	Switzer	2015/0316341 A1	11/2015	Aguilar	
5,417,003 A	5/1995	Claveau	2015/0377573 A1	12/2015	Niccum	
5,669,171 A	9/1997	Sally	2016/0025437 A1	1/2016	Slocum	
D423,628 S *	4/2000	Smart	2016/0102932 A1	4/2016	Cobb	
6,178,683 B1	1/2001	Williams	2017/0051992 A1 *	2/2017	Cottrell	F41A 9/83
6,189,254 B1	2/2001	Steitz	2018/0058785 A1	3/2018	Hefer et al.	
6,219,953 B1	4/2001	Bentley				
6,286,243 B1	9/2001	Hinton				
D477,047 S	7/2003	Springer				

* cited by examiner

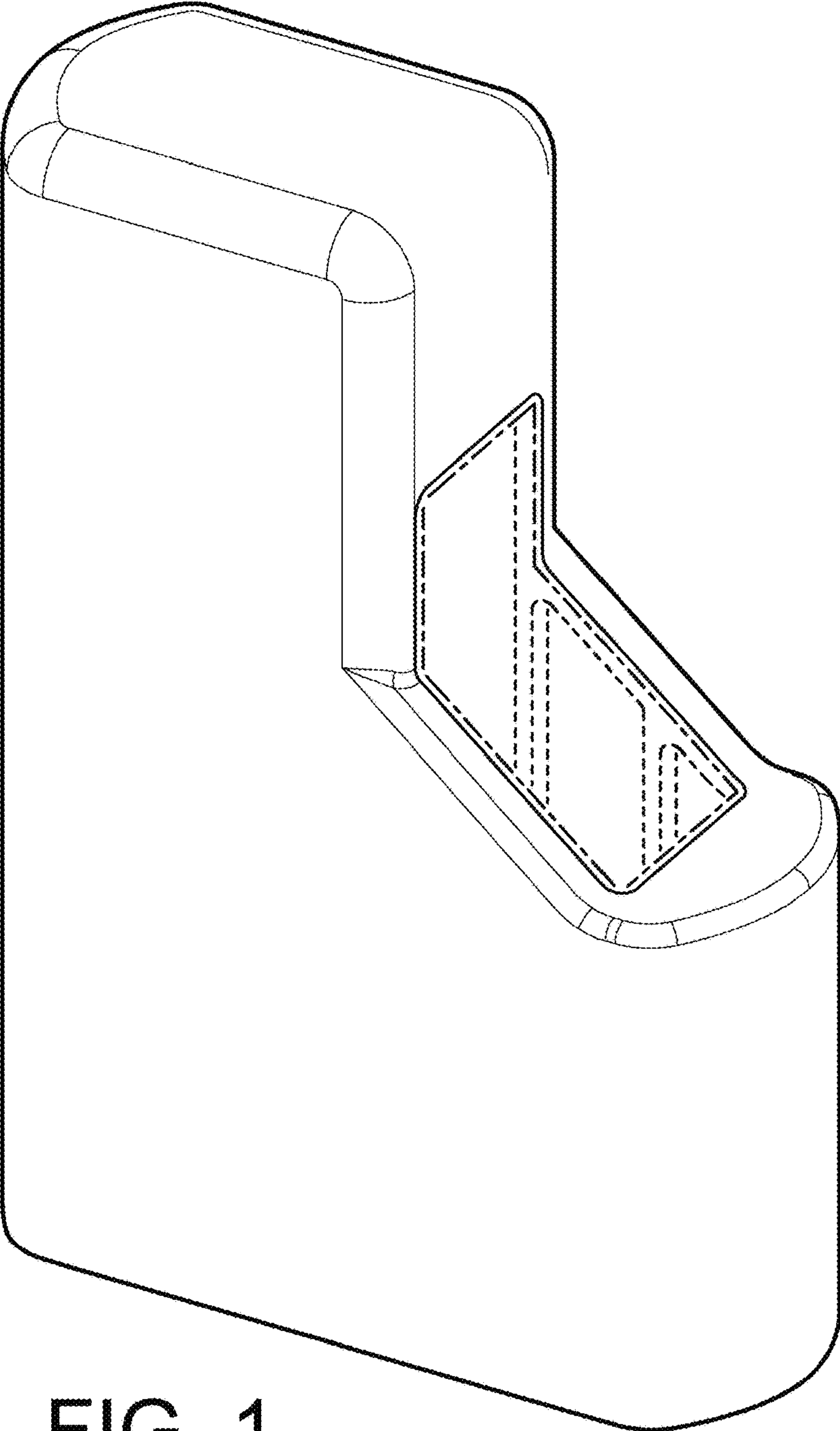


FIG. 1

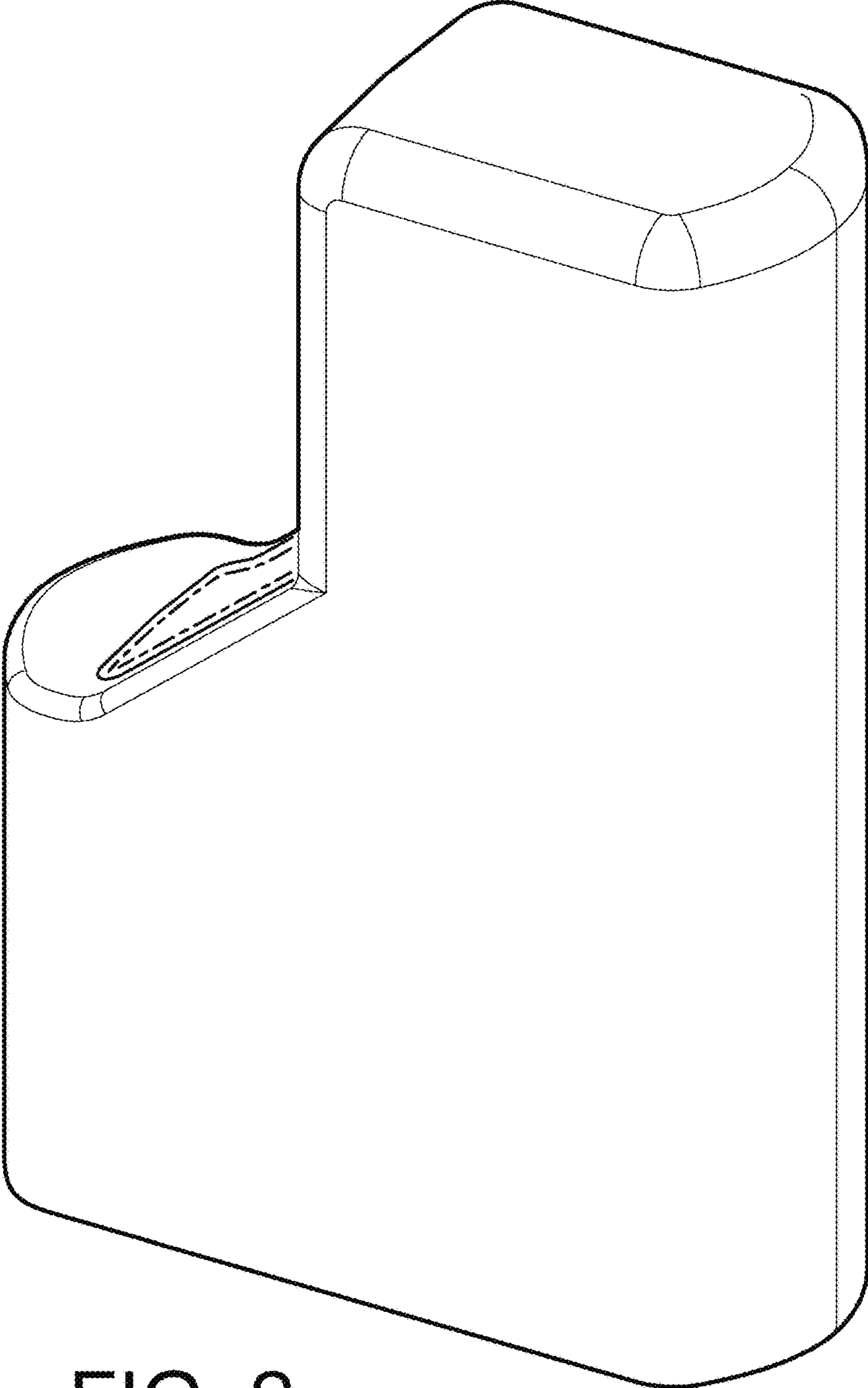


FIG. 2