



US00D846054S

(12) **United States Design Patent** (10) **Patent No.:** **US D846,054 S**
Becktor (45) **Date of Patent:** **** Apr. 16, 2019**

(54) **GOLF CLUB HEAD**
(71) Applicant: **DUNLOP SPORTS CO. LTD.,**
Kobe-shi, Hyogo (JP)
(72) Inventor: **Mika Becktor**, New York, NY (US)
(73) Assignee: **DUNLOP SPORTS CO. LTD.,**
Kobe-shi (JP)
(**) Term: **15 Years**
(21) Appl. No.: **29/626,931**
(22) Filed: **Nov. 21, 2017**
(51) **LOC (11) Cl.** **21-02**
(52) **U.S. Cl.**
USPC **D21/759**
(58) **Field of Classification Search**
USPC D21/747-751, 759
CPC A63B 53/00; A63B 53/02; A63B 53/04;
A63B 53/047; A63B 53/0475; A63B
2053/0479; A63B 2053/0483; A63B
2053/0445; A63B 60/00; A63B 60/46
See application file for complete search history.

(56) **References Cited**
U.S. PATENT DOCUMENTS
D343,435 S * 1/1994 Poincenot D21/750
D345,775 S * 4/1994 Poincenot D21/750
D360,445 S * 7/1995 Schmidt D21/748
D399,276 S * 10/1998 Hettinger D21/747
D411,274 S * 6/1999 Renegar D21/752
D426,276 S * 6/2000 Besnard D21/747
D428,632 S * 7/2000 Besnard D21/748
D449,866 S * 10/2001 Miller D21/747
D476,050 S * 6/2003 Walker D21/759
D479,568 S * 9/2003 Rodgers D21/747
D491,241 S * 6/2004 Long D21/747
D516,650 S * 3/2006 Wolfe D21/747

D523,917 S * 6/2006 Wolfe D21/747
D526,038 S * 8/2006 Kelley D21/759
D533,610 S * 12/2006 Cleveland D21/747
D580,506 S * 11/2008 Chick D21/759
D584,371 S * 1/2009 Chick D21/759
D589,106 S * 3/2009 Oldknow D21/759
D589,107 S * 3/2009 Oldknow D21/759
D603,918 S * 11/2009 Simon D21/747
D606,607 S * 12/2009 Cooper D21/759
D619,667 S * 7/2010 Cleveland D21/747
D639,884 S * 6/2011 Breier D21/759
D659,780 S * 5/2012 Llewellyn D21/747
D659,784 S * 5/2012 Dolezel D21/759
D682,377 S * 5/2013 Voshall D21/759
D703,282 S * 4/2014 Breier D21/747
D726,265 S * 4/2015 Nicolette D21/747
D741,429 S * 10/2015 Asatsuma D21/759

(Continued)

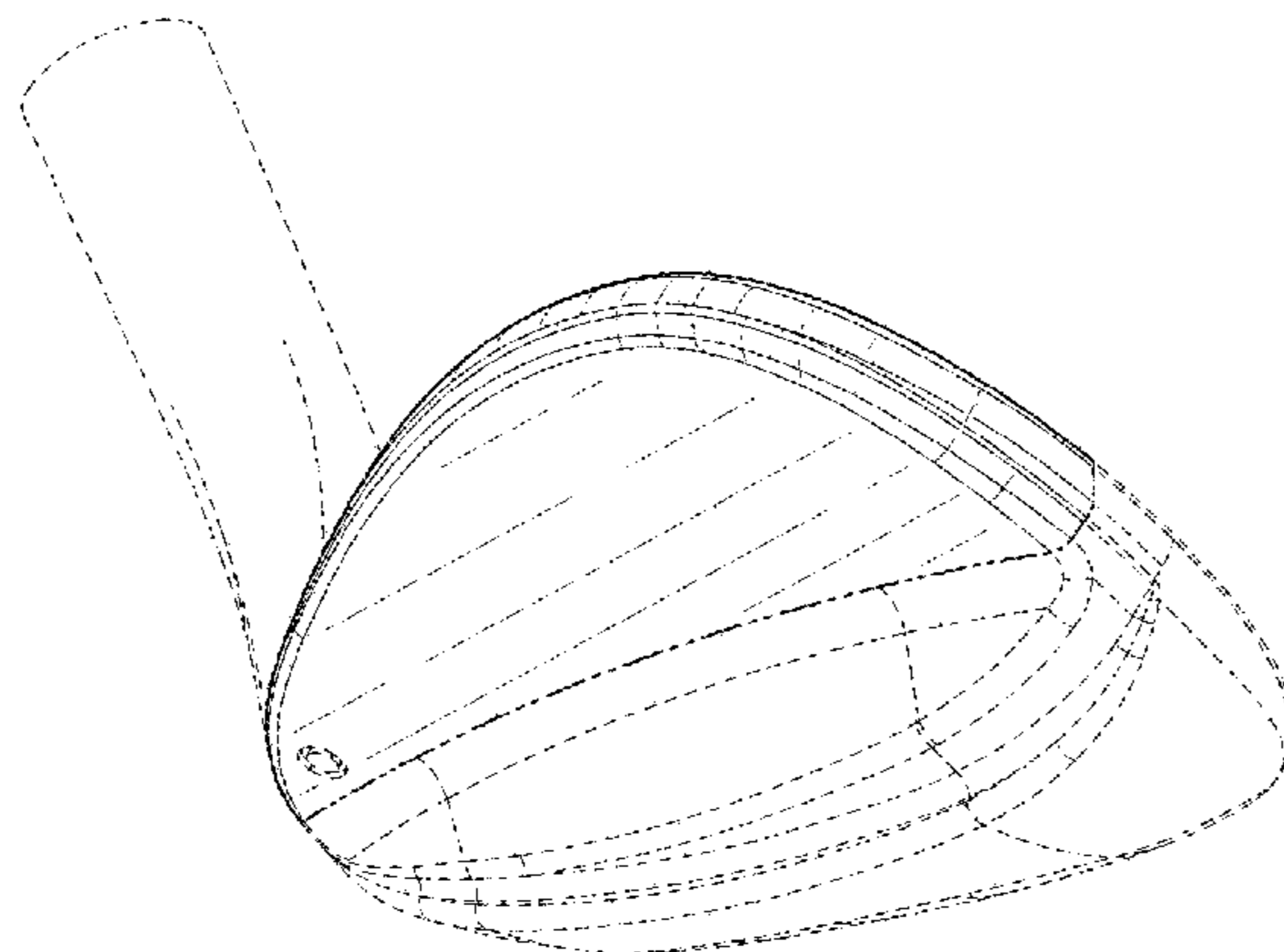
Primary Examiner — Mitchell I. Siegel
(74) *Attorney, Agent, or Firm* — Oliff PLC

(57) **CLAIM**
The ornamental design for a golf club head, as shown and described.

DESCRIPTION

FIG. 1 is a rear, toe-side perspective view of the golf club head;
FIG. 2 is a bottom, rear, heel-side perspective view thereof;
FIG. 3 is a front elevational view thereof;
FIG. 4 is a rear elevational view thereof;
FIG. 5 is a top plan view thereof;
FIG. 6 is a bottom plan view thereof;
FIG. 7 is a toe-side elevational view thereof; and,
FIG. 8 is a heel-side elevational view thereof.
The broken lines depict unclaimed parts of the golf club head, and thus form no part of the claimed design. The dot-dot-dash chain lines depict boundaries of the claimed subject matter, and thus form no part of the claimed design.

1 Claim, 7 Drawing Sheets



(56)

References Cited

U.S. PATENT DOCUMENTS

| | | | |
|--------------|---------|------------------|---------|
| D760,333 S * | 6/2016 | Harrington | D21/747 |
| D762,792 S * | 8/2016 | Oliveiro | D21/747 |
| D763,379 S * | 8/2016 | Oldknow | D21/759 |
| D763,380 S * | 8/2016 | Oldknow | D21/759 |
| D773,574 S * | 12/2016 | Oliveiro | D21/747 |
| D773,575 S * | 12/2016 | Nicolette | D21/747 |
| D783,747 S * | 4/2017 | Harrington | D21/747 |
| D810,217 S * | 2/2018 | Long | D21/759 |
| D810,850 S * | 2/2018 | Becktor | D21/747 |
| D829,837 S * | 10/2018 | Wolfe | D21/747 |
| D832,953 S * | 11/2018 | Bacon | D21/747 |
| D833,548 S * | 11/2018 | Harrington | D21/747 |
| D835,739 S * | 12/2018 | Long | D21/759 |

* cited by examiner

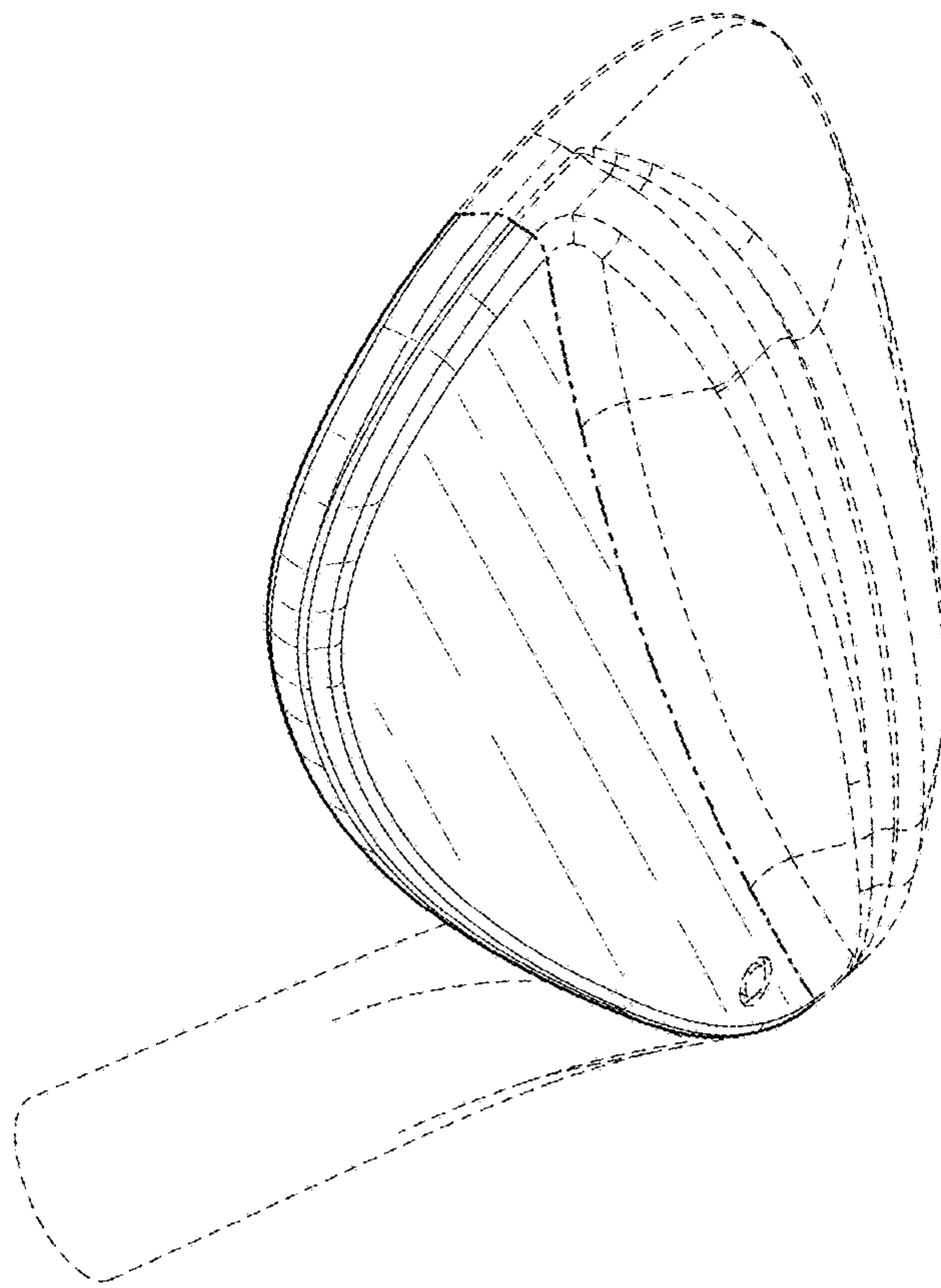


FIG. 1



FIG. 2

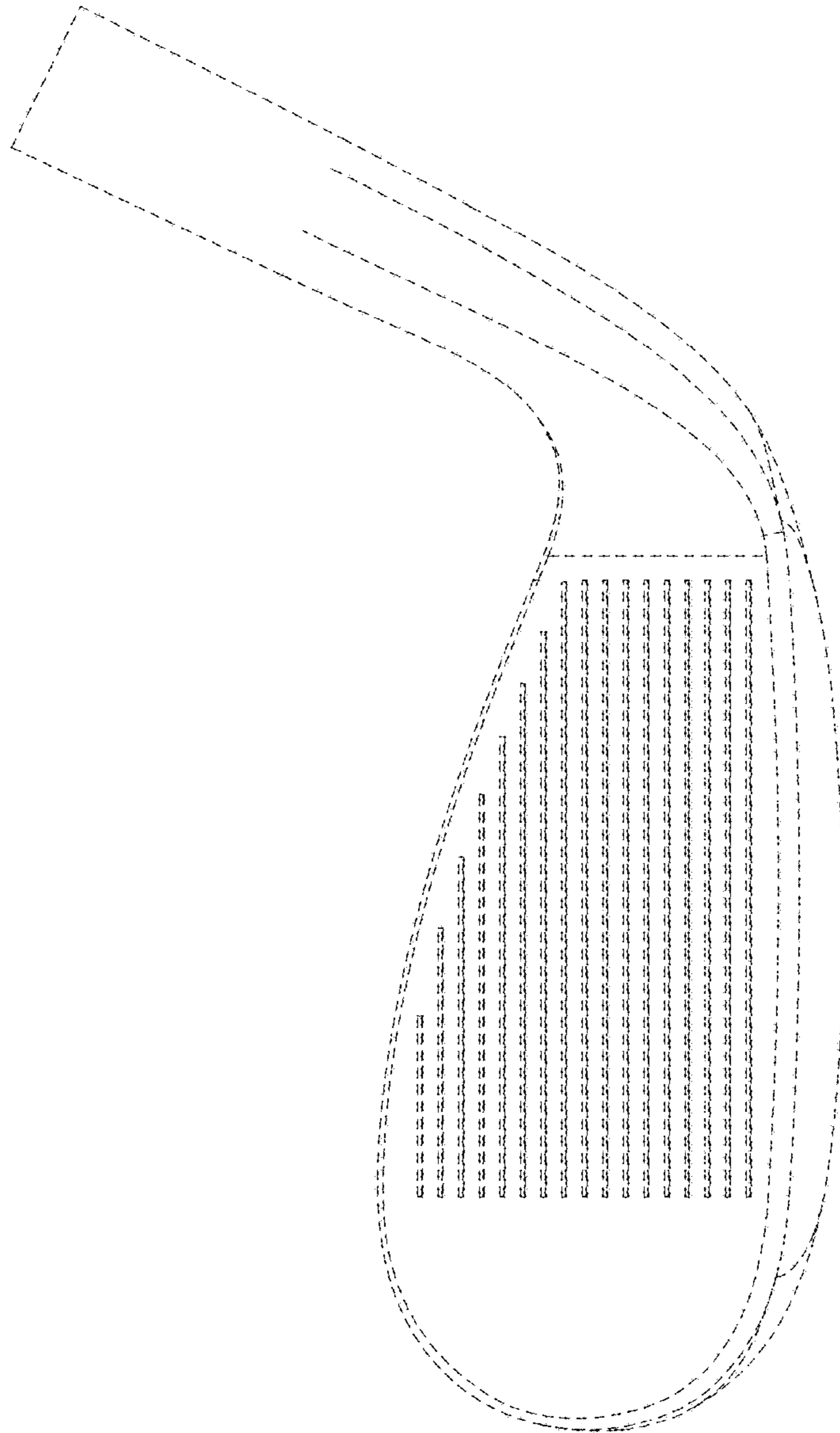


FIG. 3

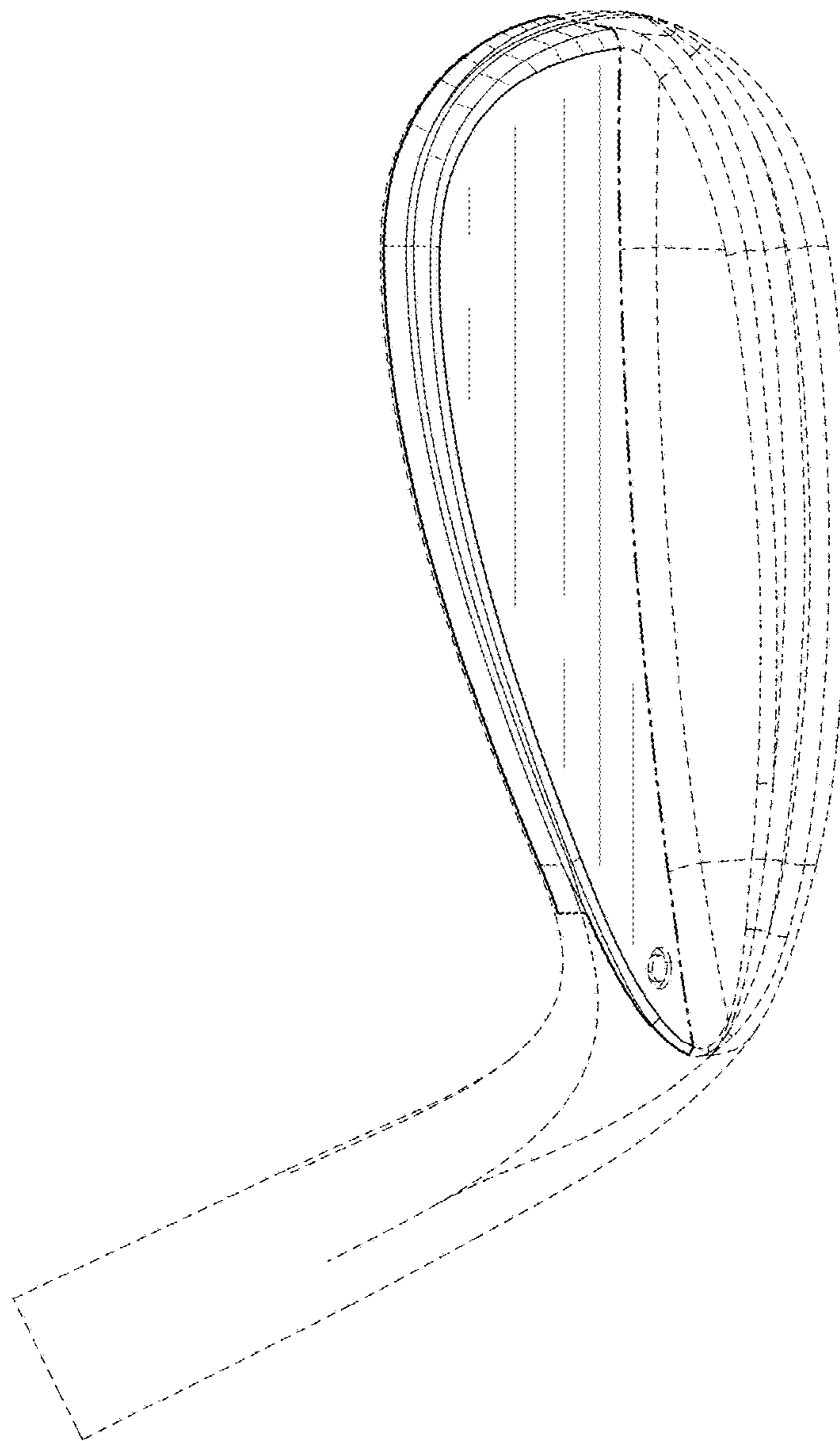


FIG. 4

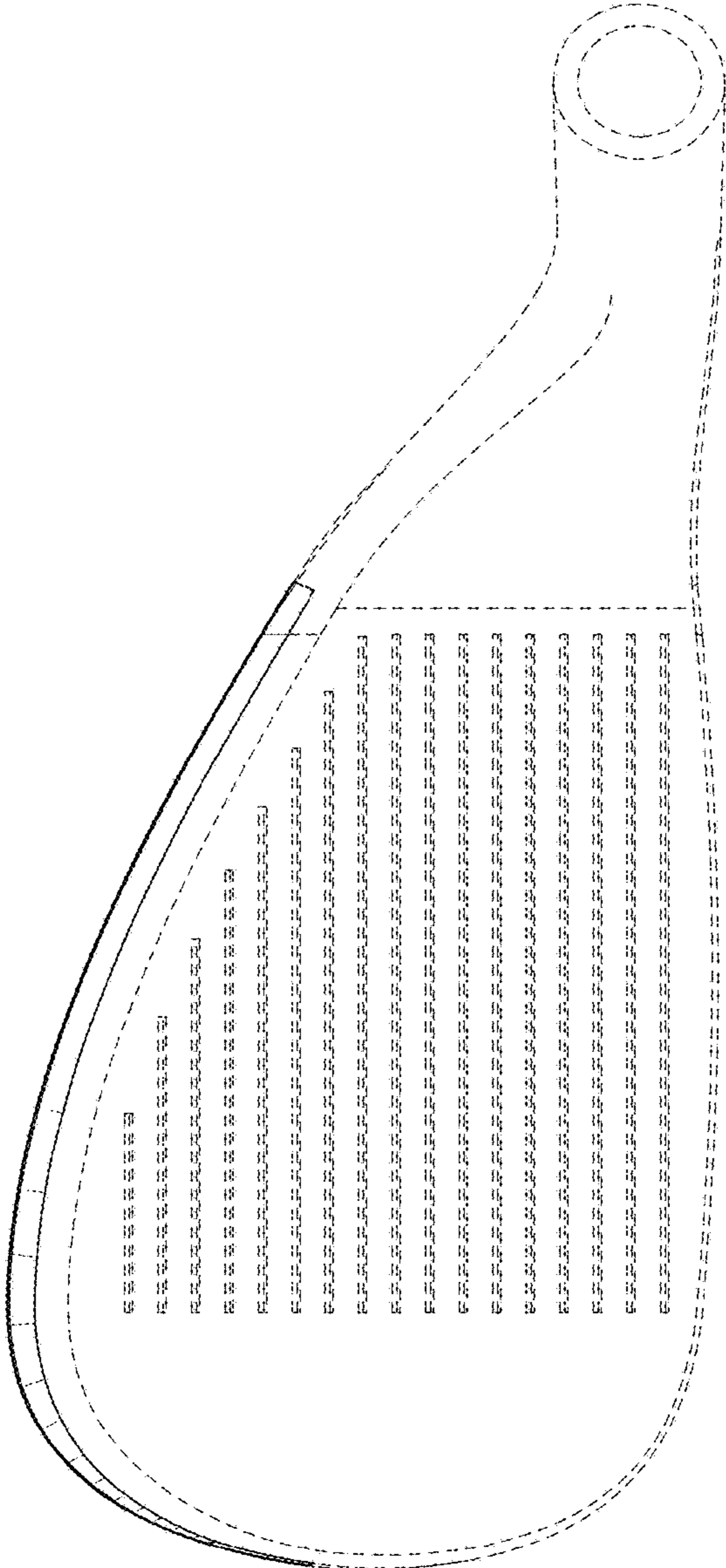


FIG. 5

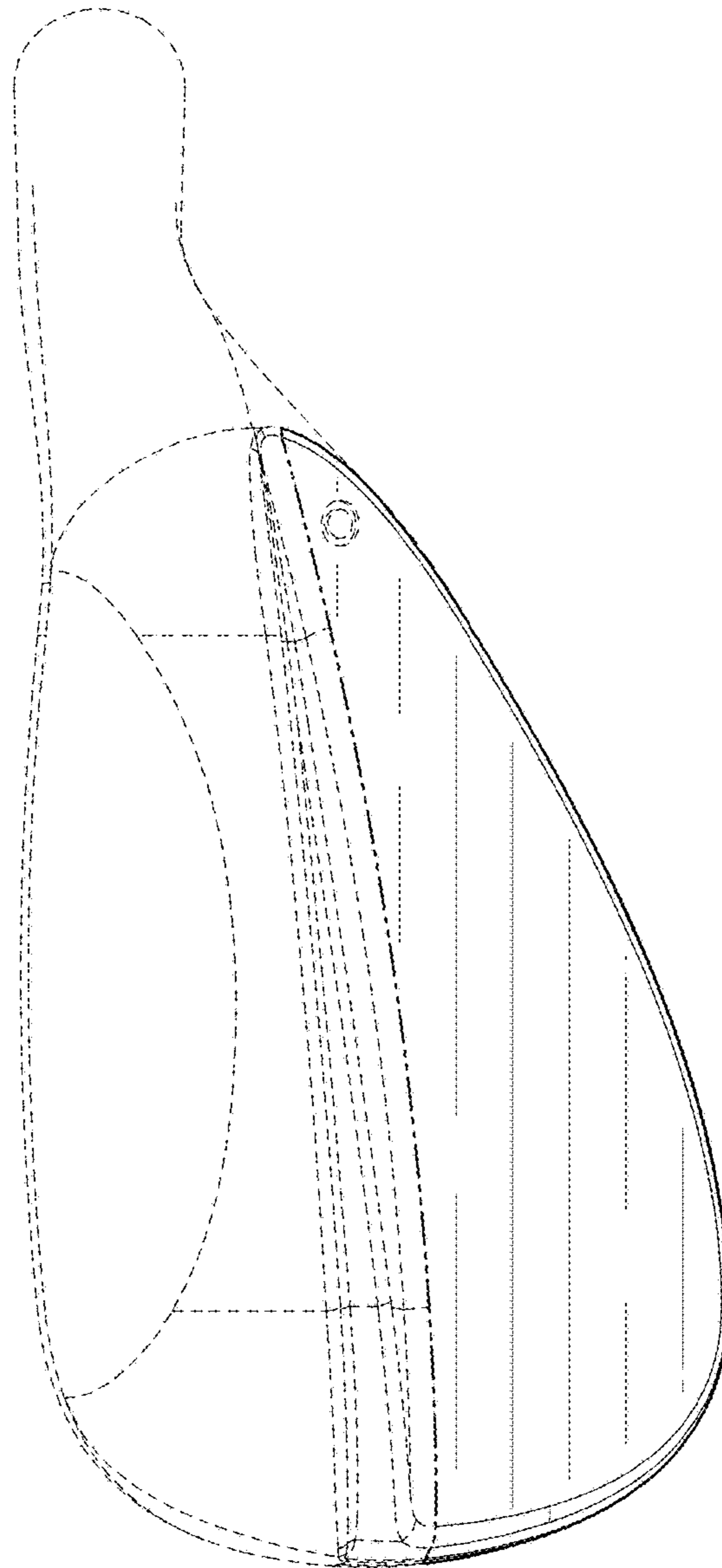


FIG. 6

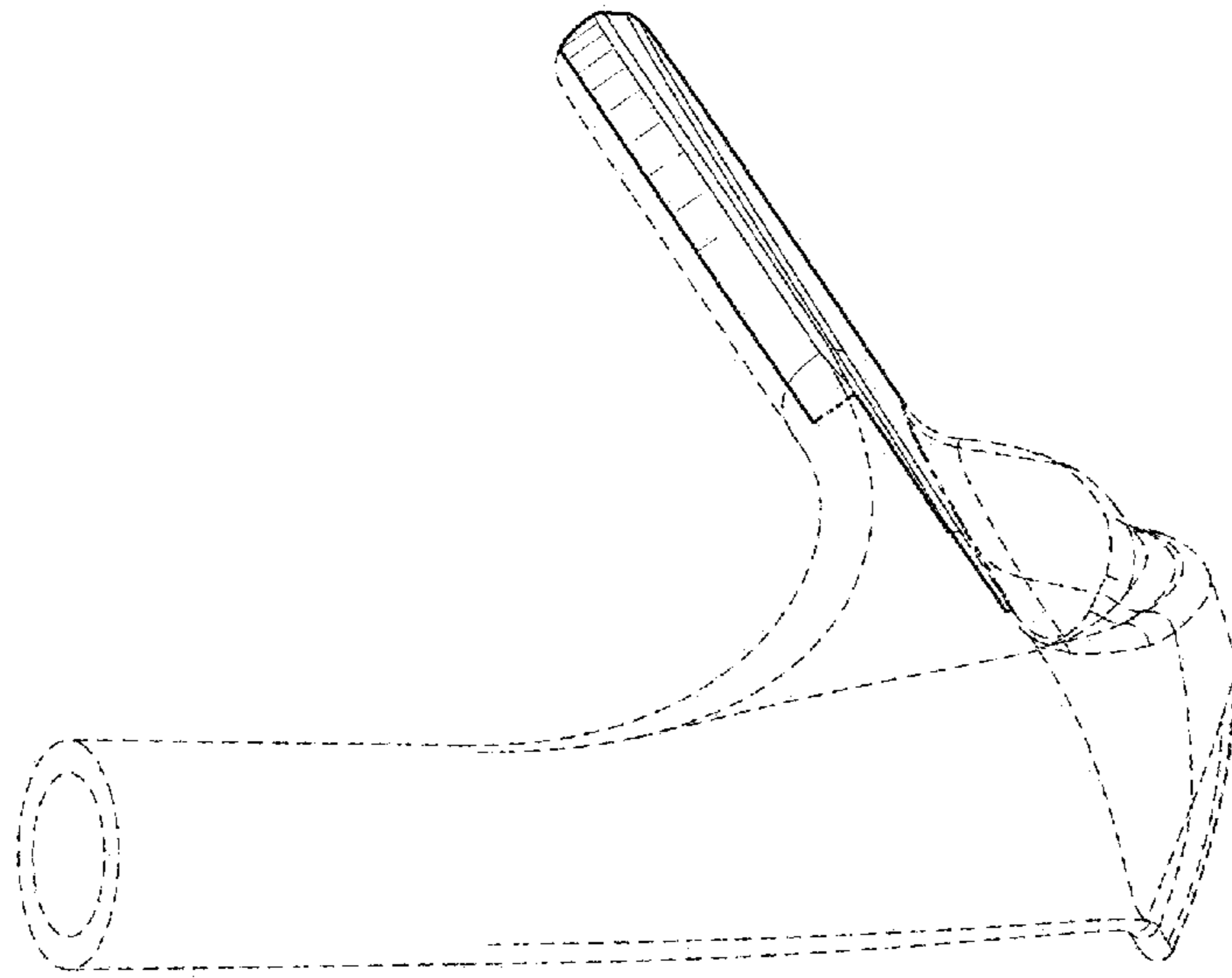


FIG. 8

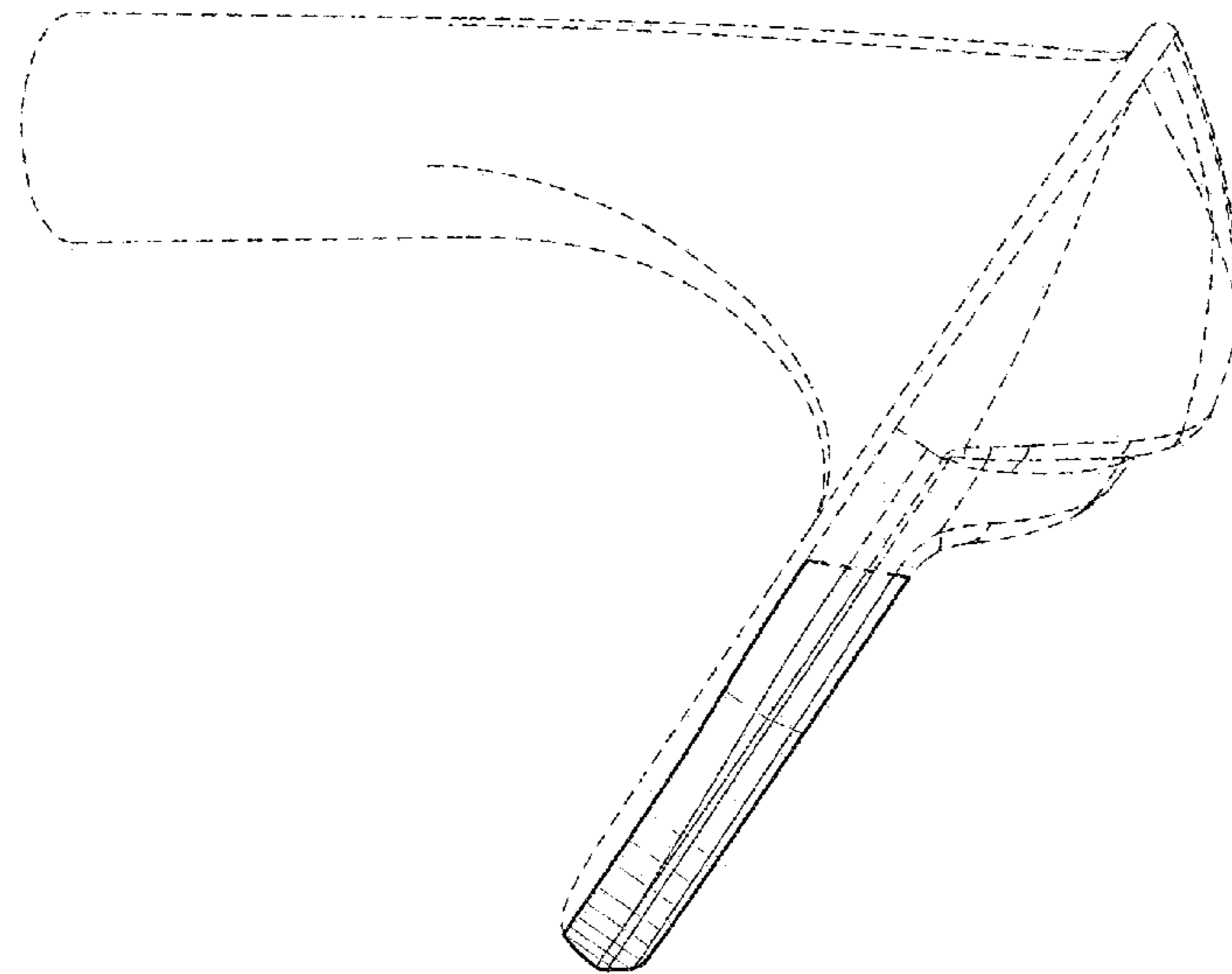


FIG. 7