



US00D846052S

(12) **United States Design Patent**  
**Becktor**

(10) **Patent No.:** **US D846,052 S**

(45) **Date of Patent:** **\*\* Apr. 16, 2019**

- (54) **GOLF CLUB HEAD**
- (71) Applicant: **DUNLOP SPORTS CO. LTD.,**  
Kobe-shi, Hyogo (JP)
- (72) Inventor: **Mika Becktor,** New York, NY (US)
- (73) Assignee: **DUNLOP SPORTS CO. LTD.,**  
Kobe-shi (JP)
- (\*\*) Term: **15 Years**
- (21) Appl. No.: **29/626,919**
- (22) Filed: **Nov. 21, 2017**
- (51) **LOC (11) Cl.** ..... **21-02**
- (52) **U.S. Cl.**  
USPC ..... **D21/759**
- (58) **Field of Classification Search**  
USPC ..... D21/747-751, 759  
CPC ..... A63B 53/00; A63B 53/02; A63B 53/04;  
A63B 53/047; A63B 53/0475; A63B  
2053/0479; A63B 2053/0483; A63B  
2053/0445; A63B 60/00; A63B 60/46  
See application file for complete search history.

(56) **References Cited**

**U.S. PATENT DOCUMENTS**

D343,435 S *	1/1994	Poincenot	.....	D21/750
D345,775 S *	4/1994	Poincenot	.....	D21/750
D360,445 S *	7/1995	Schmidt	.....	D21/748
D399,276 S *	10/1998	Hettinger	.....	D21/747
D411,274 S *	6/1999	Renegar	.....	D21/752
D426,276 S *	6/2000	Besnard	.....	D21/747
D428,632 S *	7/2000	Besnard	.....	D21/748
D449,866 S *	10/2001	Miller	.....	D21/747
D476,050 S *	6/2003	Walker	.....	D21/759
D479,568 S *	9/2003	Rodgers	.....	D21/747
D491,241 S *	6/2004	Long	.....	D21/747
D516,650 S *	3/2006	Wolfe	.....	D21/747

D523,917 S *	6/2006	Wolfe	.....	D21/747
D526,038 S *	8/2006	Kelley	.....	D21/759
D533,610 S *	12/2006	Cleveland	.....	D21/747
D580,506 S *	11/2008	Chick	.....	D21/759
D584,371 S *	1/2009	Chick	.....	D21/759
D589,106 S *	3/2009	Oldknow	.....	D21/759
D589,107 S *	3/2009	Oldknow	.....	D21/759
D603,918 S *	11/2009	Simon	.....	D21/747
D606,607 S *	12/2009	Cooper	.....	D21/759
D619,667 S *	7/2010	Cleveland	.....	D21/747
D639,884 S *	6/2011	Breier	.....	D21/759
D659,780 S *	5/2012	Llewellyn	.....	D21/747
D659,784 S *	5/2012	Dolezel	.....	D21/759
D682,377 S *	5/2013	Voshall	.....	D21/759
D703,282 S *	4/2014	Breier	.....	D21/747
D726,265 S *	4/2015	Nicolette	.....	D21/747
D741,429 S *	10/2015	Asatsuma	.....	D21/759

(Continued)

*Primary Examiner* — Mitchell I. Siegel

(74) *Attorney, Agent, or Firm* — Oliff PLC

(57) **CLAIM**

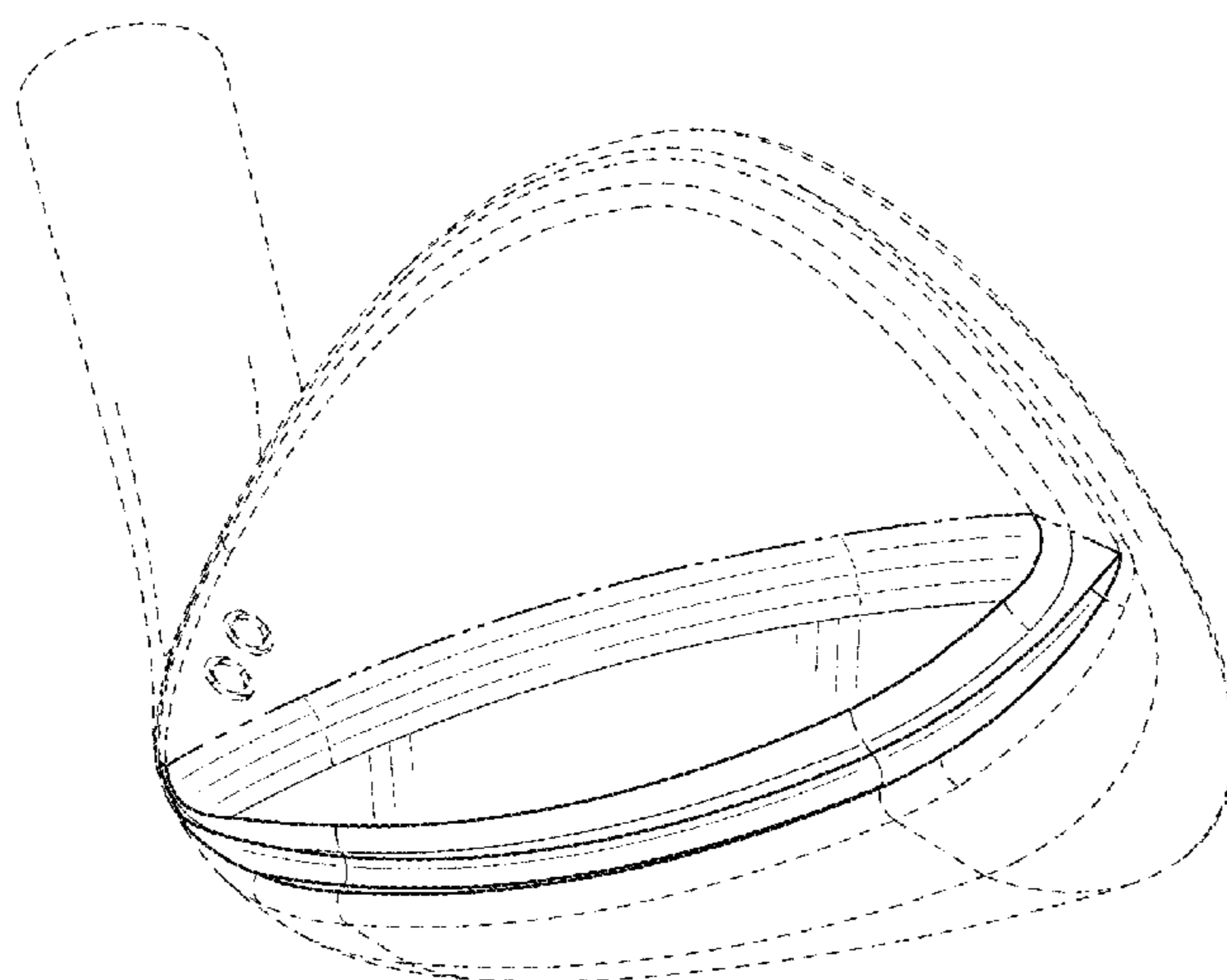
The ornamental design for a golf club head, as shown and described.

**DESCRIPTION**

FIG. 1 is a rear, toe-side perspective view of the golf club head;  
 FIG. 2 is a bottom, rear, heel-side perspective view thereof;  
 FIG. 3 is a front elevational view thereof;  
 FIG. 4 is a rear elevational view thereof;  
 FIG. 5 is a top plan view thereof;  
 FIG. 6 is a bottom plan view thereof;  
 FIG. 7 is a toe-side elevational view thereof; and,  
 FIG. 8 is a heel-side elevational view thereof.

The broken lines depict unclaimed parts of the golf club head, and thus form no part of the claimed design. The dot-dot-dash chain lines depict boundaries of the claimed subject matter, and thus form no part of the claimed design.

**1 Claim, 7 Drawing Sheets**



(56)

**References Cited**

U.S. PATENT DOCUMENTS

D760,333 S *	6/2016	Harrington .....	D21/747
D762,792 S *	8/2016	Oliveiro .....	D21/747
D763,379 S *	8/2016	Oldknow .....	D21/759
D763,380 S *	8/2016	Oldknow .....	D21/759
D773,574 S *	12/2016	Oliveiro .....	D21/747
D773,575 S *	12/2016	Nicolette .....	D21/747
D783,747 S *	4/2017	Harrington .....	D21/747
D810,217 S *	2/2018	Long .....	D21/759
D810,850 S *	2/2018	Becktor .....	D21/747
D829,837 S *	10/2018	Wolfe .....	D21/747
D832,953 S *	11/2018	Bacon .....	D21/747
D833,548 S *	11/2018	Harrington .....	D21/747
D835,739 S *	12/2018	Long .....	D21/759

\* cited by examiner

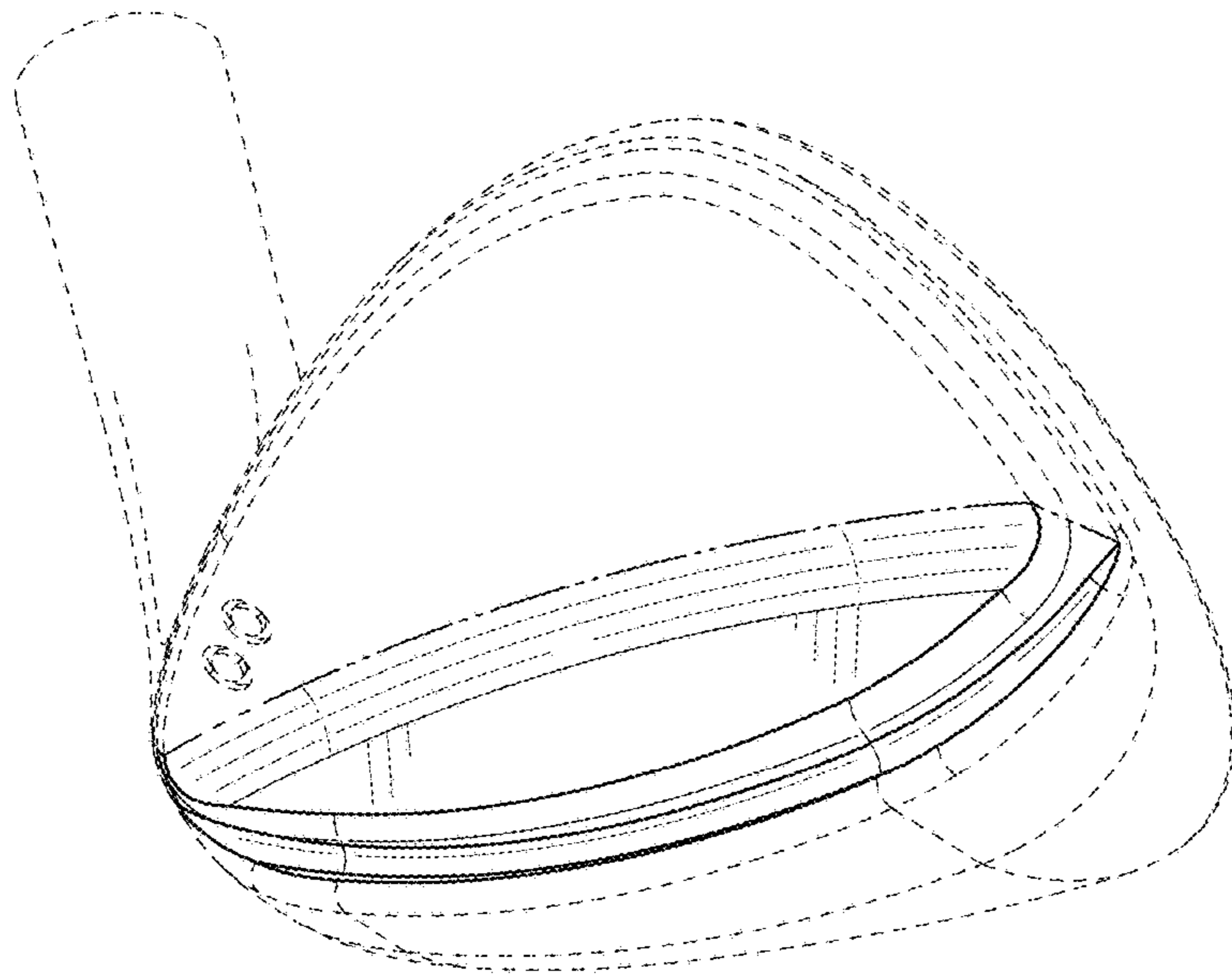


FIG. 1

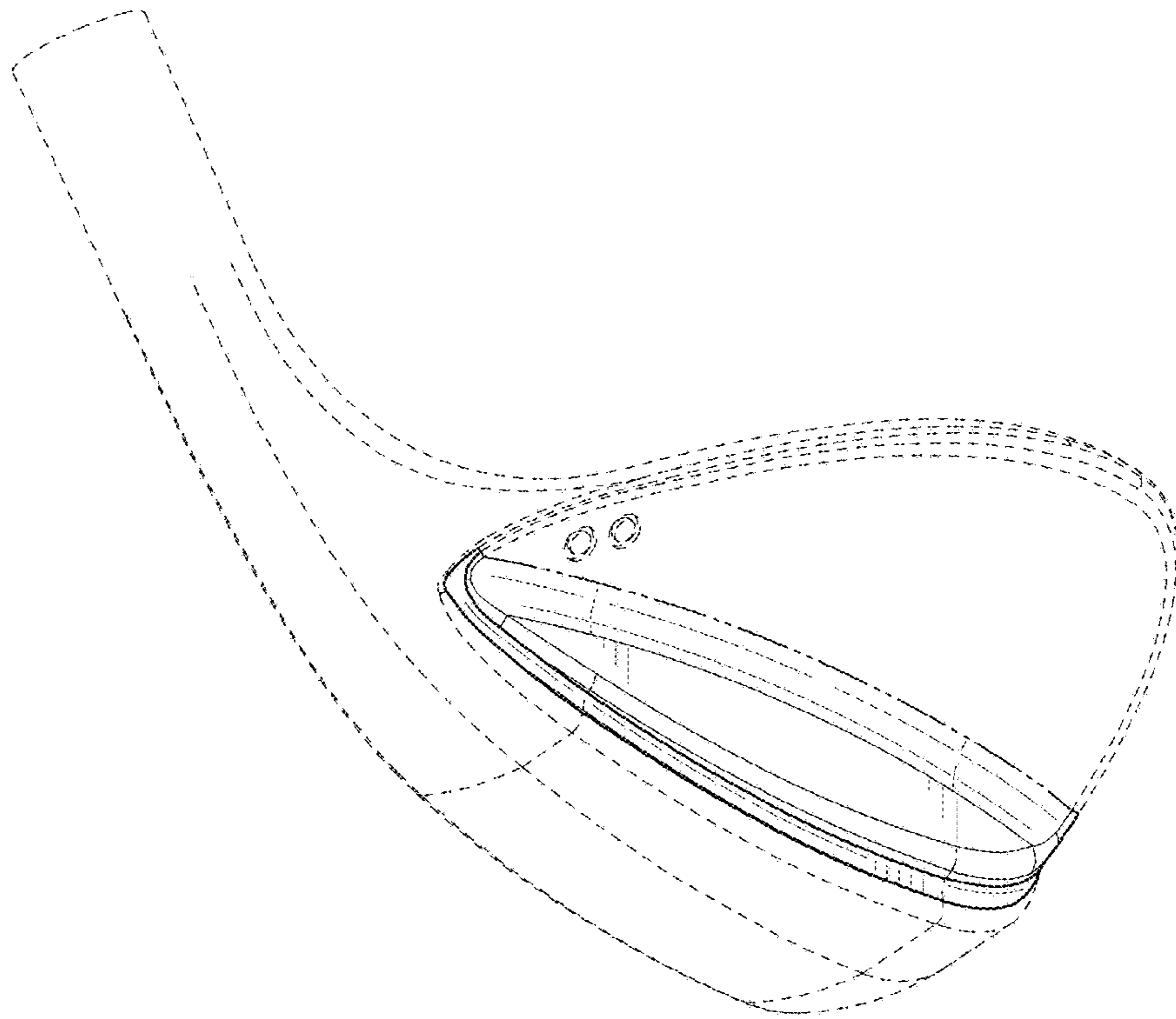


FIG. 2

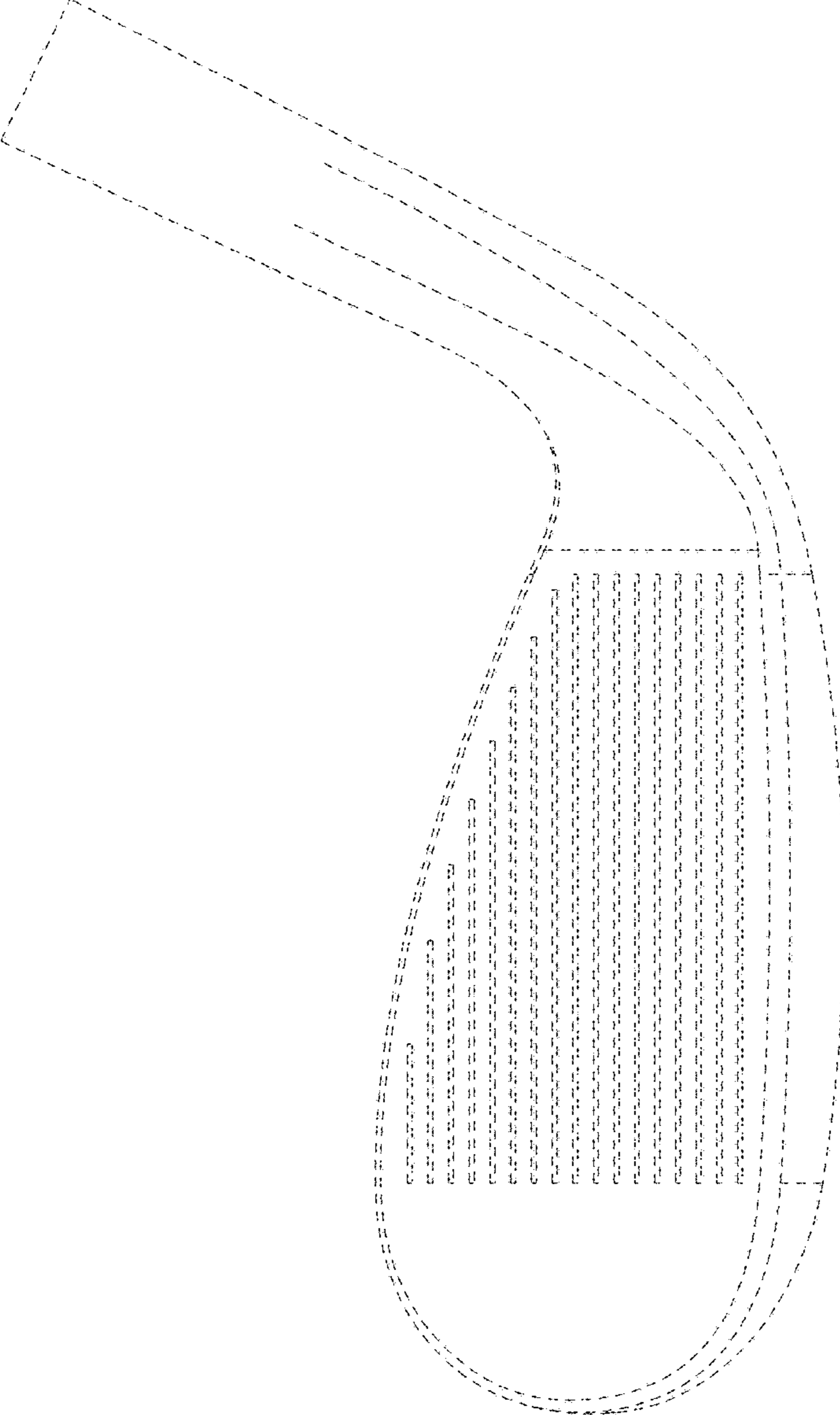


FIG. 3

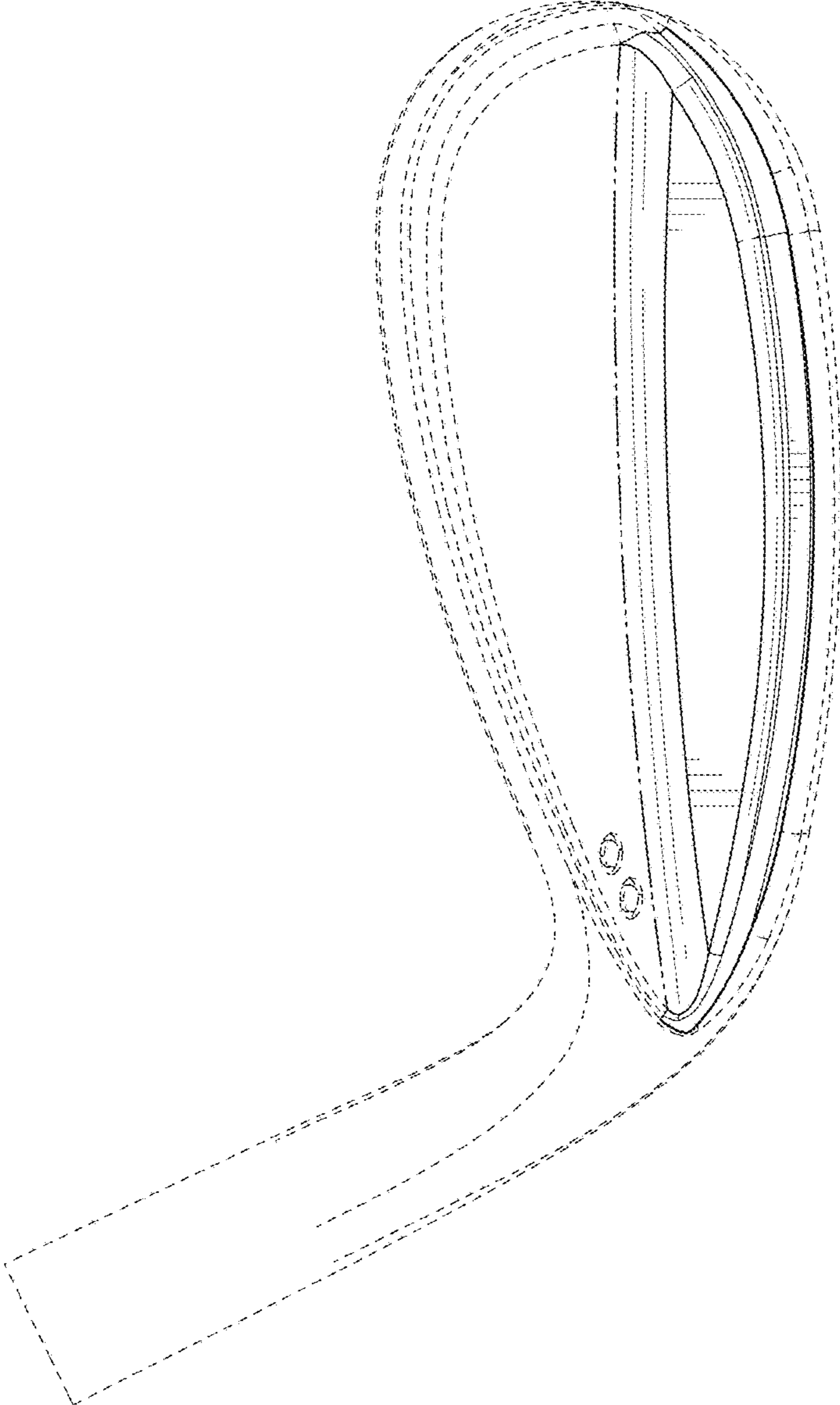


FIG. 4

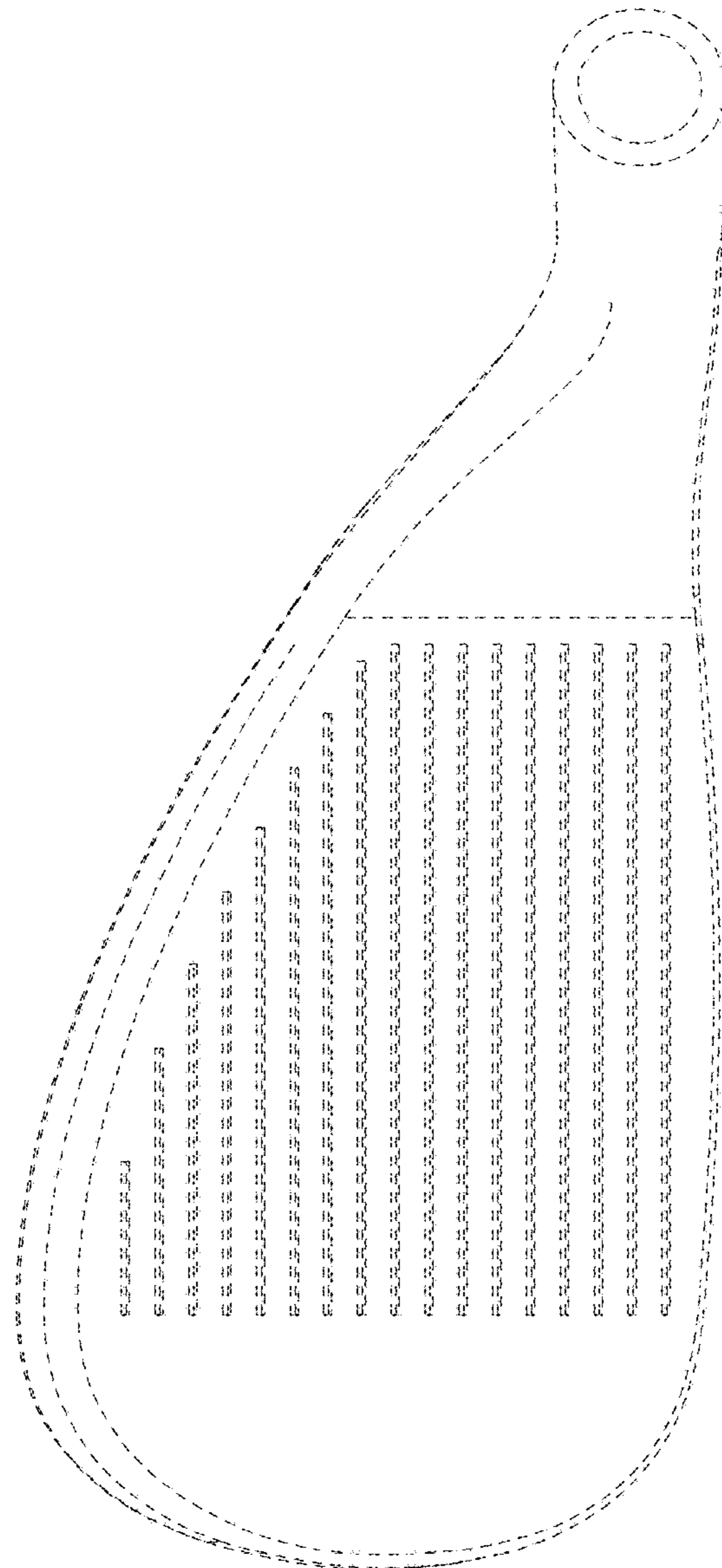


FIG. 5

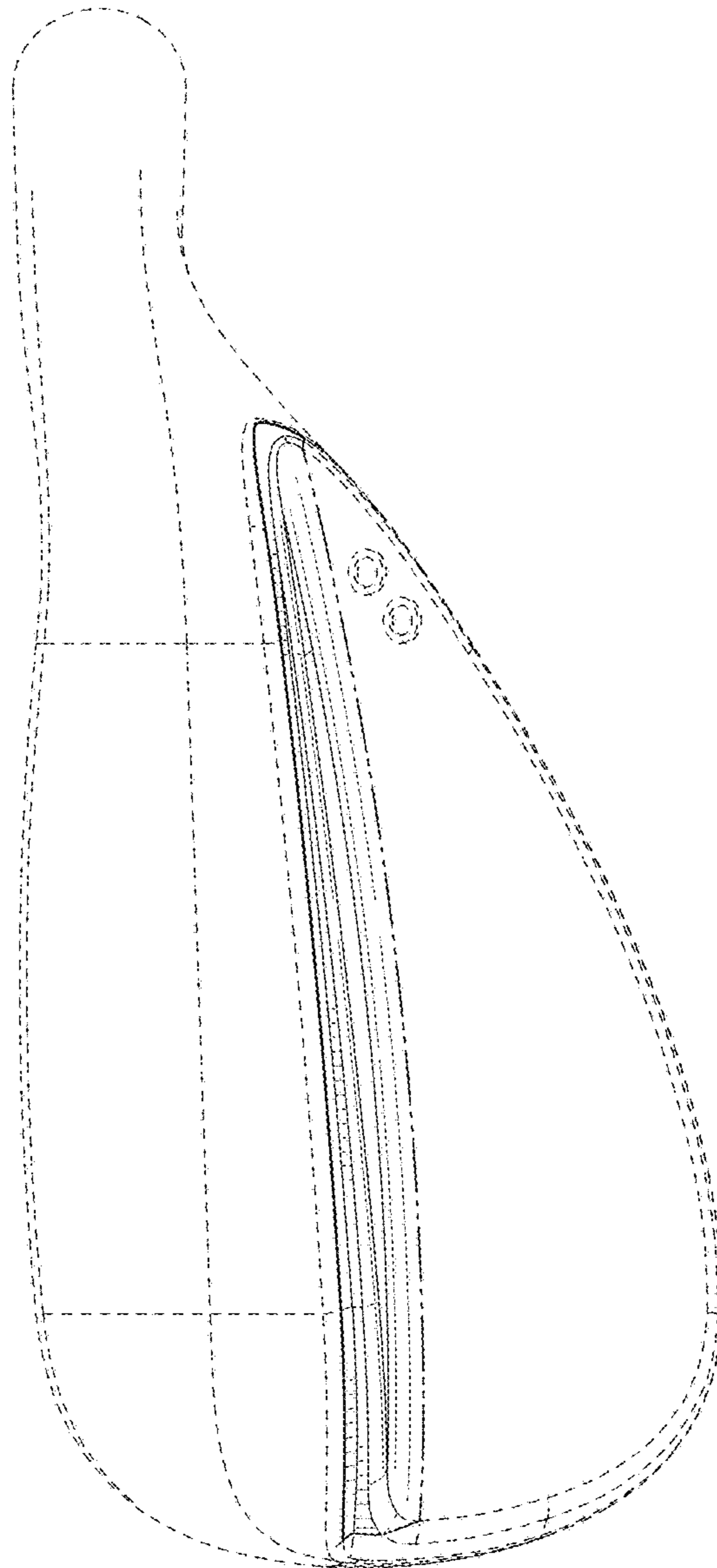


FIG. 6



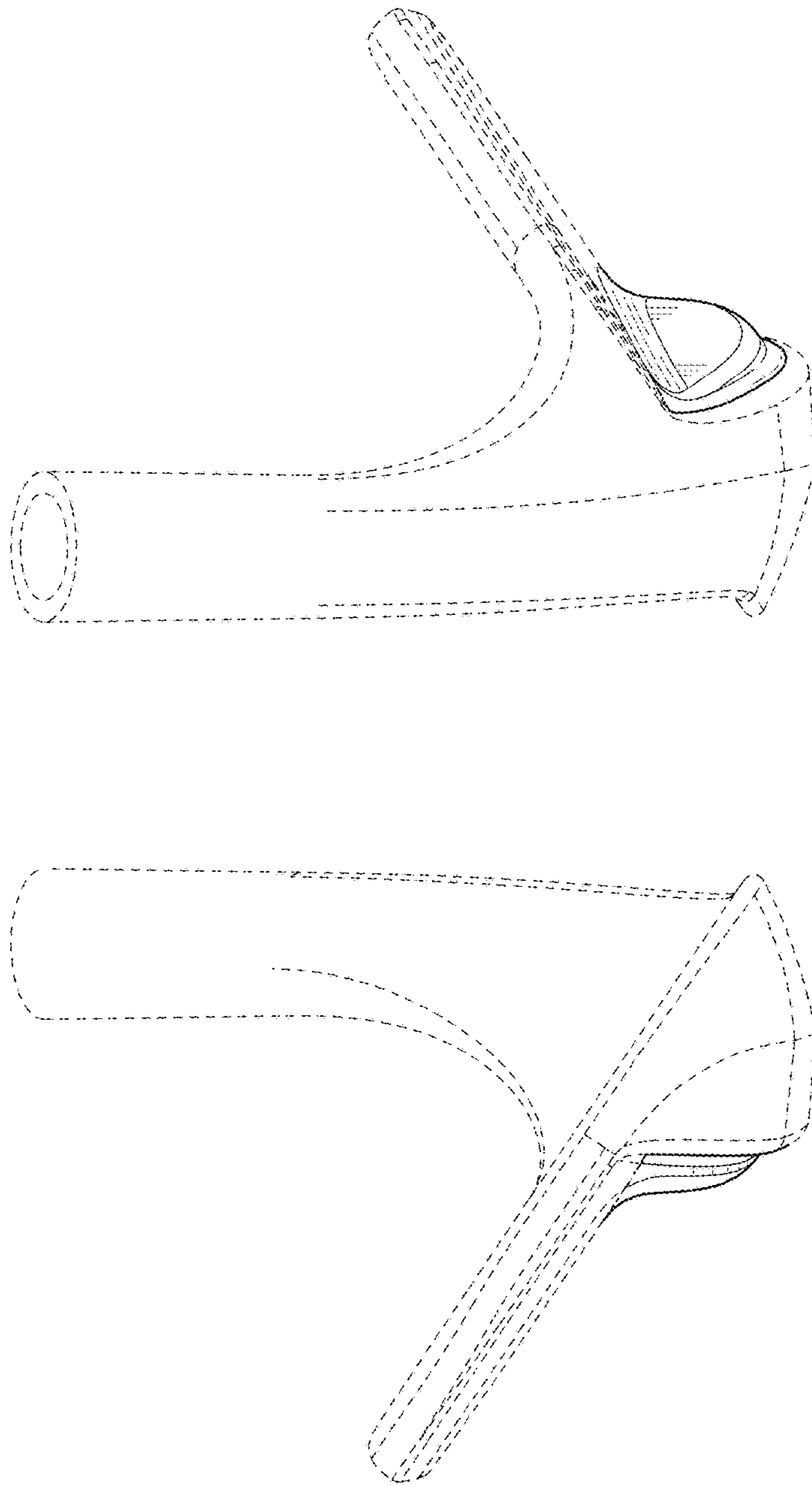


FIG. 8

FIG. 7