



US00D846050S

(12) **United States Design Patent**  
**Song et al.**

(10) **Patent No.:** **US D846,050 S**

(45) **Date of Patent:** **\*\* Apr. 16, 2019**

(54) **GOLF CLUB HEAD**

(71) Applicant: **Acushnet Company**, Fairhaven, MA  
(US)

(72) Inventors: **Yu-Jin Song**, San Marcos, CA (US);  
**Christopher D. Harvell**, Carlsbad, CA  
(US)

(73) Assignee: **Acushnet Company**, Fairhaven, MA  
(US)

(\*\*) Term: **15 Years**

(21) Appl. No.: **29/626,133**

(22) Filed: **Nov. 15, 2017**

(51) **LOC (11) Cl.** ..... **21-02**

(52) **U.S. Cl.**  
USPC ..... **D21/752**

(58) **Field of Classification Search**  
USPC ..... D21/733, 752, 759  
CPC ..... A63B 53/00; A63B 53/04; A63B 53/0466;  
A63B 2053/002; A63B 2053/0445; A63B  
2053/0433; A63B 2053/0491; A63B  
2053/0437  
See application file for complete search history.

(56) **References Cited**

**U.S. PATENT DOCUMENTS**

D665,863 S \* 8/2012 Gonzalez ..... D21/759  
D707,767 S \* 6/2014 Song ..... D21/752  
D716,889 S \* 11/2014 Dolezel ..... D21/759  
D732,124 S \* 6/2015 Trahan ..... D21/759  
D738,975 S \* 9/2015 Kim ..... D21/759

D756,474 S \* 5/2016 Trahan ..... D21/759  
D760,335 S \* 6/2016 Song ..... D21/752  
D763,996 S \* 8/2016 Kim ..... D21/759  
D783,748 S \* 4/2017 Song ..... D21/752  
D785,111 S \* 4/2017 Song ..... D21/752  
D786,991 S \* 5/2017 Tang ..... D21/759  
D786,992 S \* 5/2017 Tang ..... D21/759  
D786,993 S \* 5/2017 Tang ..... D21/759  
D788,239 S \* 5/2017 Kim ..... D21/759  
D812,168 S \* 3/2018 Kim ..... D21/759  
D832,957 S \* 11/2018 Tang ..... D21/759  
D833,555 S \* 11/2018 Tsuchihashi ..... D21/759  
D834,118 S \* 11/2018 Song ..... D21/759

\* cited by examiner

*Primary Examiner* — Mitchell I. Siegel

(74) *Attorney, Agent, or Firm* — Randy K. Chang

(57) **CLAIM**

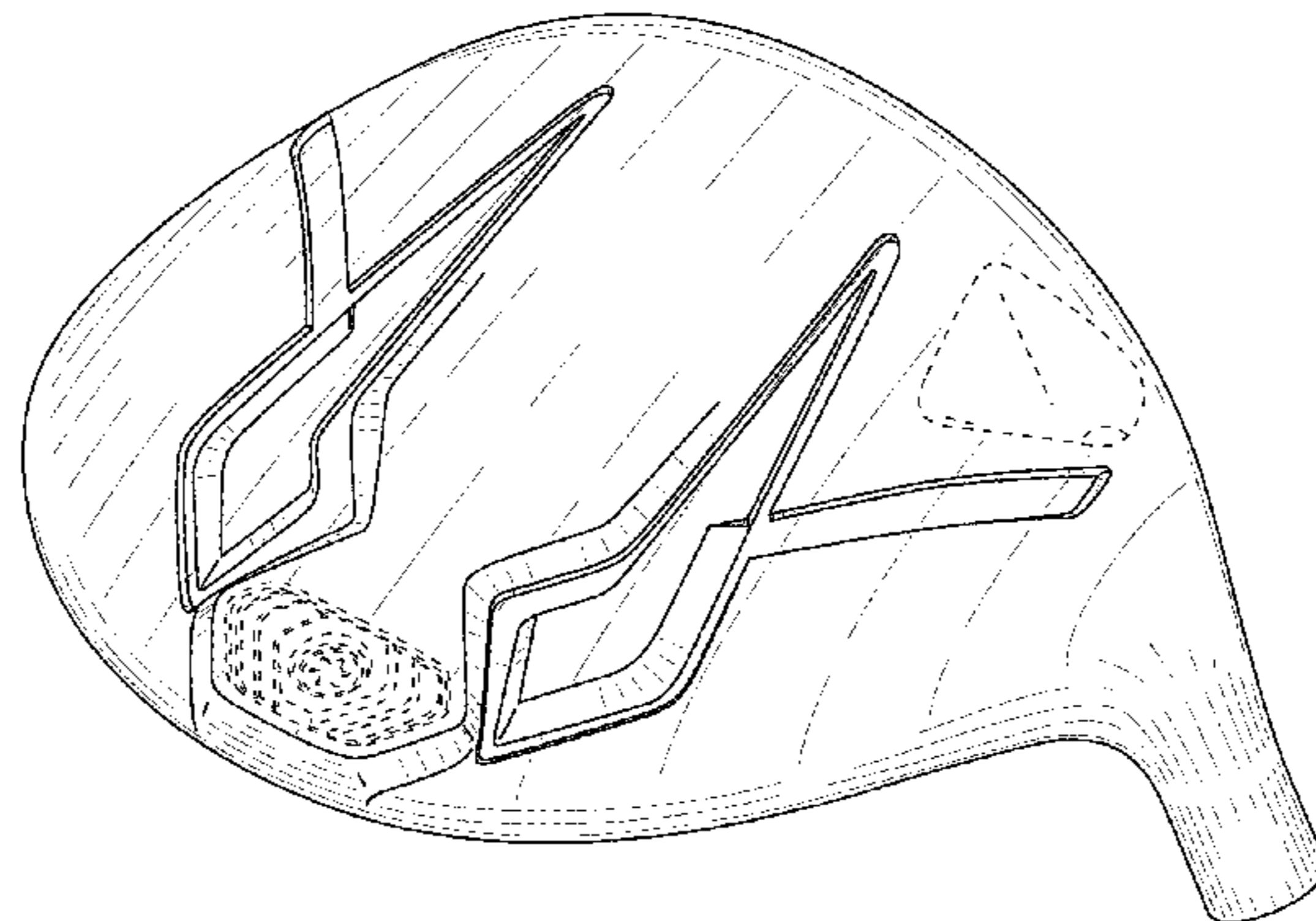
The ornamental design for a golf club head, as shown and described.

**DESCRIPTION**

FIG. 1 is a bottom perspective view of our new design for a golf club head;  
FIG. 2 is a front view thereof;  
FIG. 3 is a bottom sole view thereof;  
FIG. 4 is a top view thereof;  
FIG. 5 is a back view thereof;  
FIG. 6 is at toe view thereof; and,  
FIG. 7 is a heel view thereof.

The broken line showing on the golf club head is included for the purpose of illustrating unclaimed subject matter and forms no part of the claimed design.

**1 Claim, 4 Drawing Sheets**



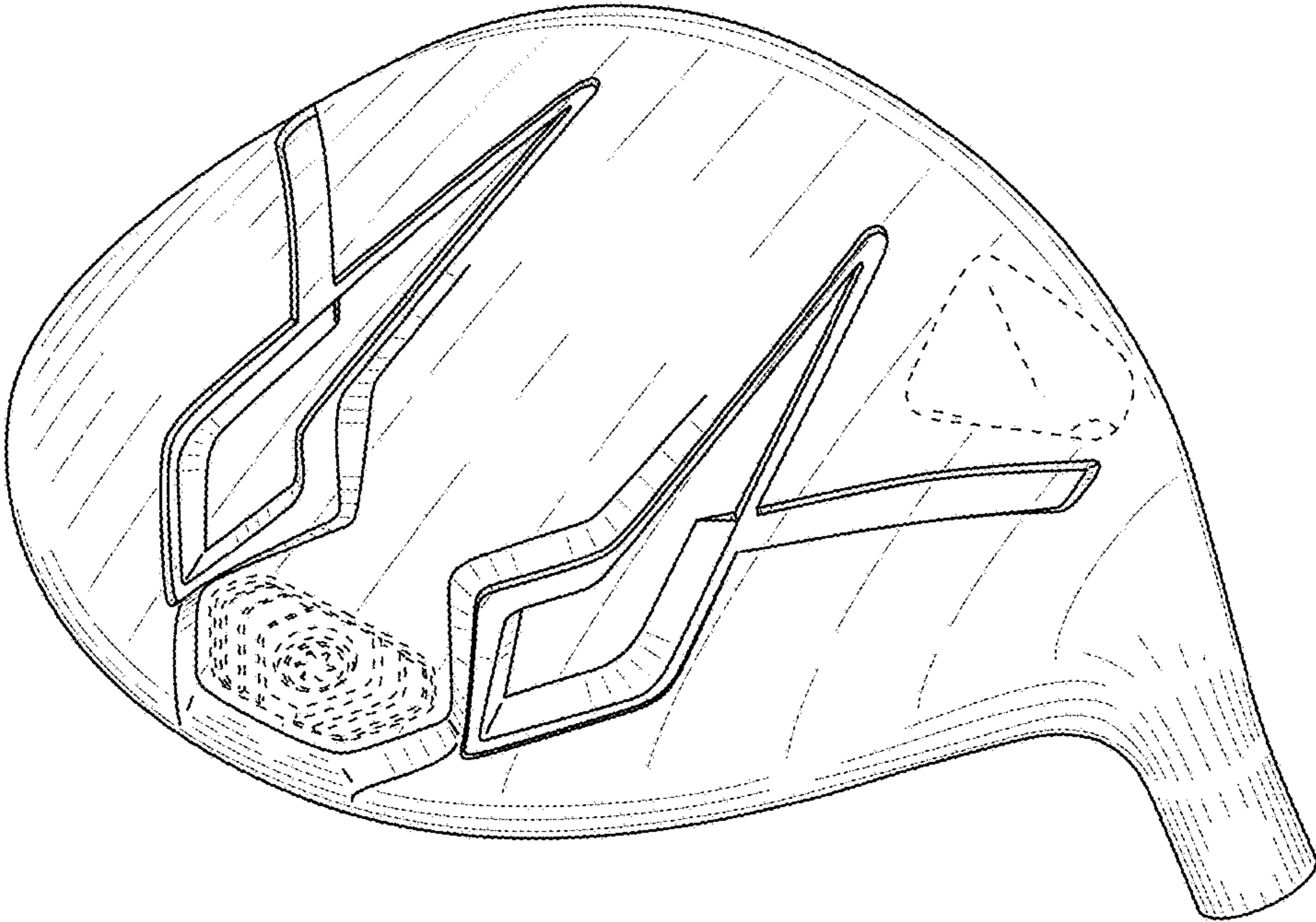


FIG. 1

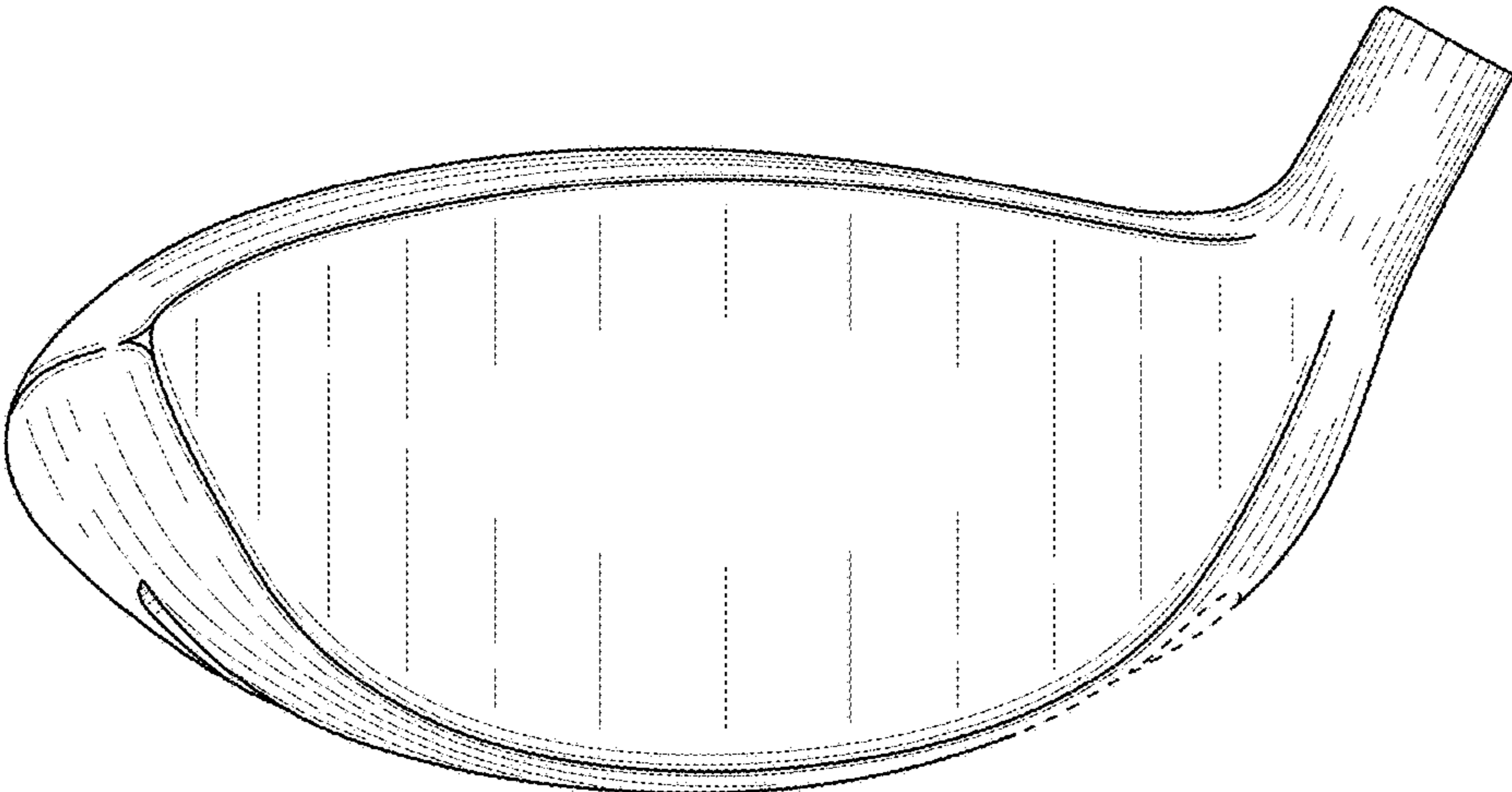


FIG. 2

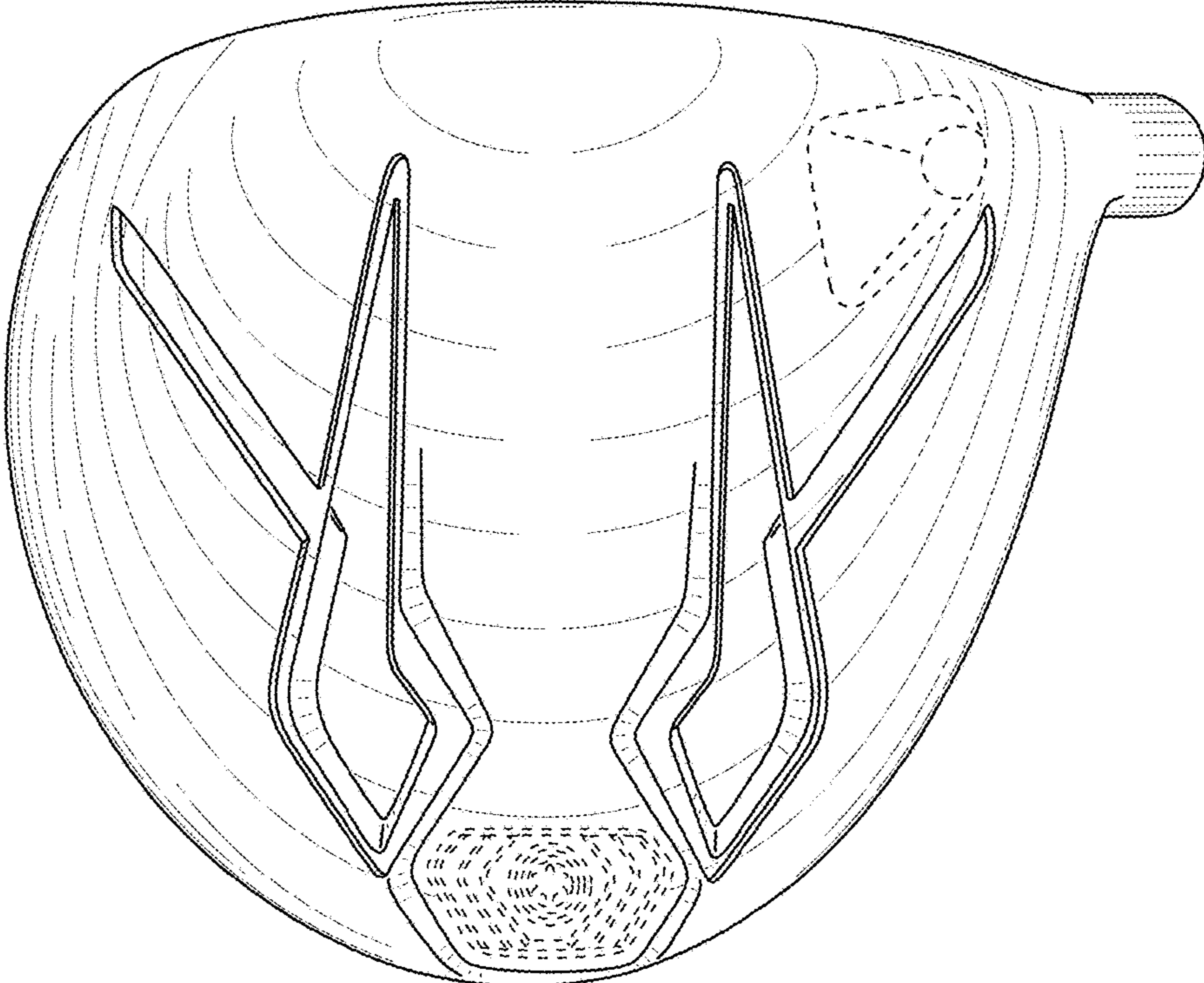


FIG. 3

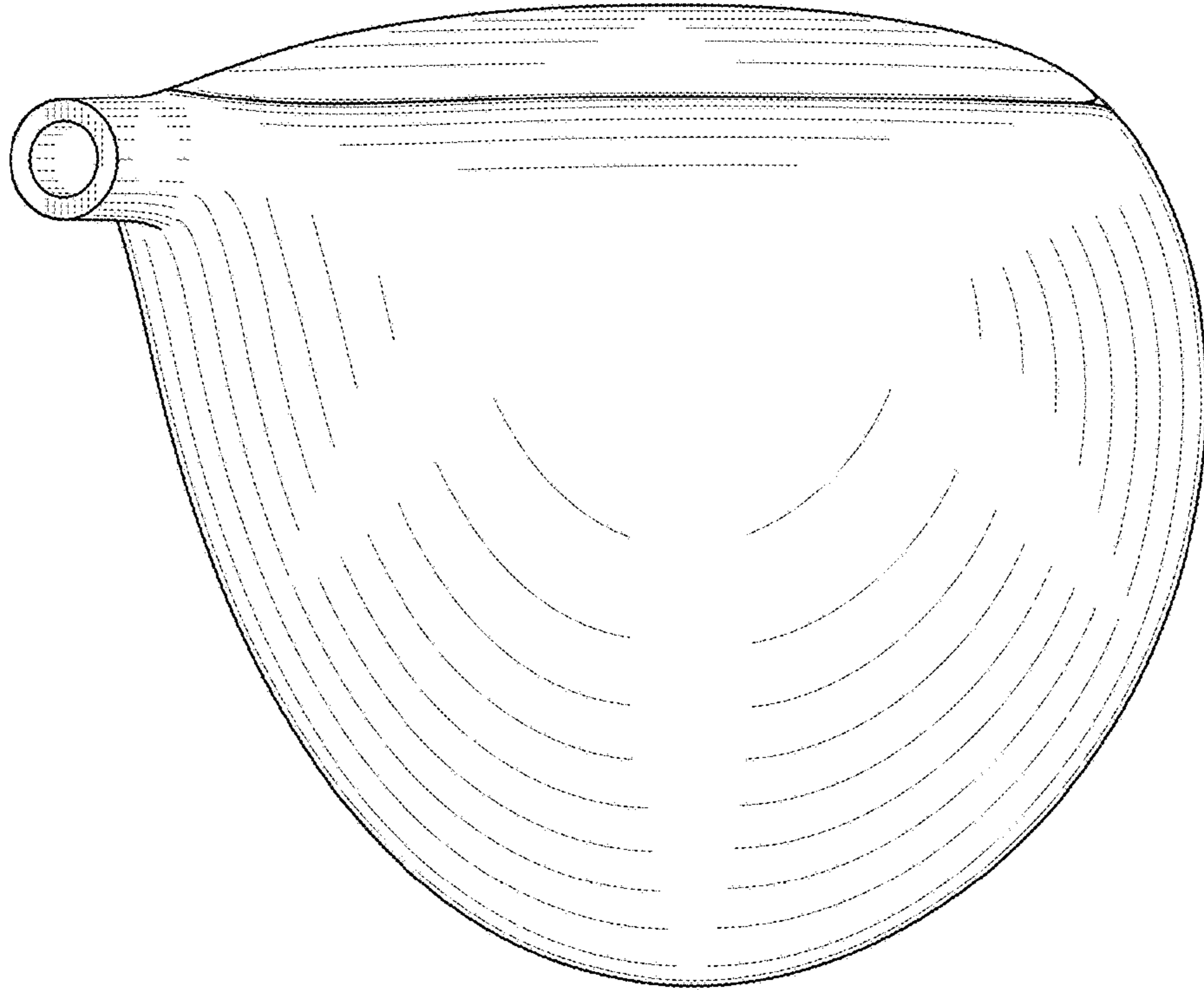


FIG. 4

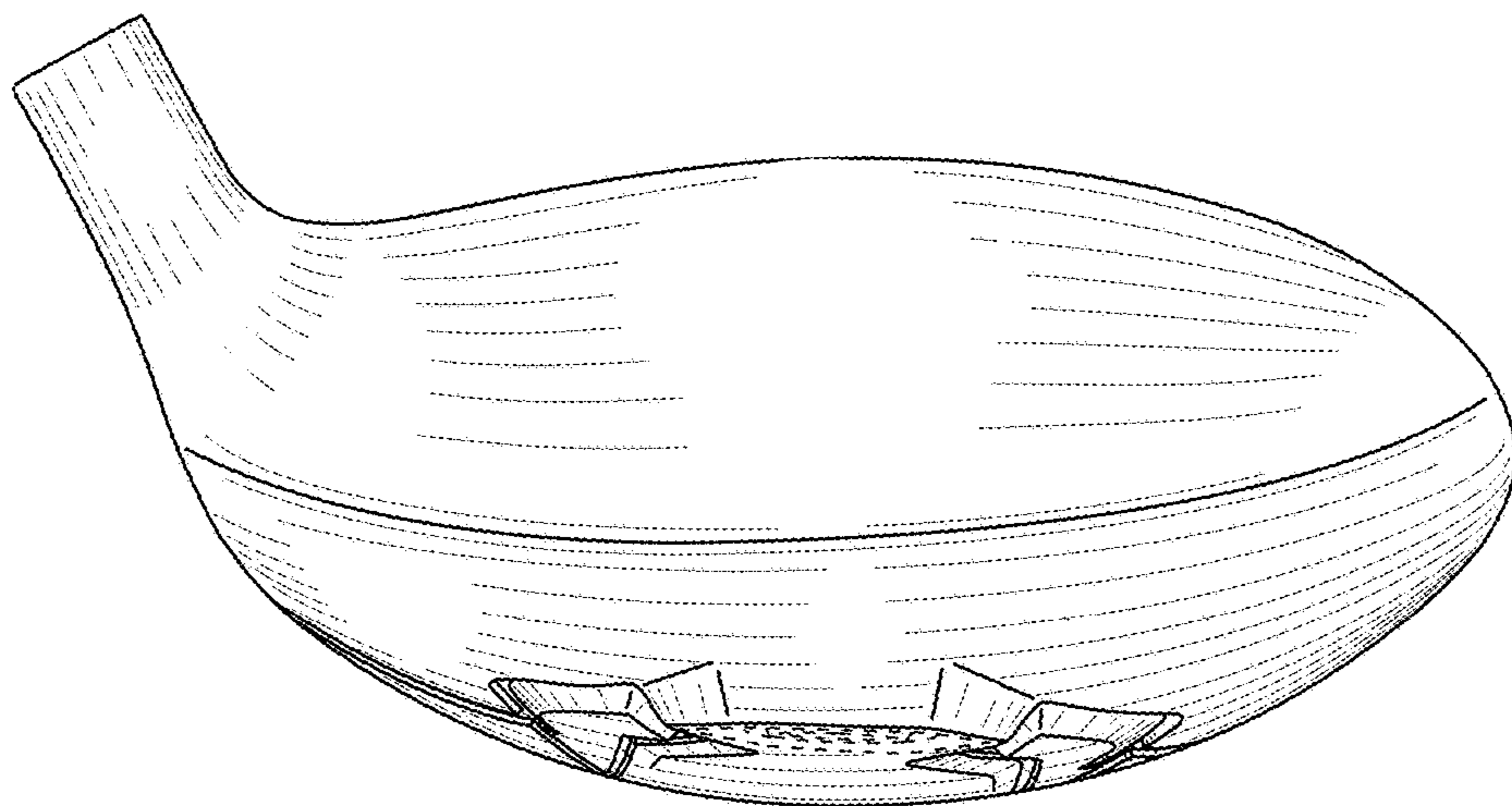


FIG. 5

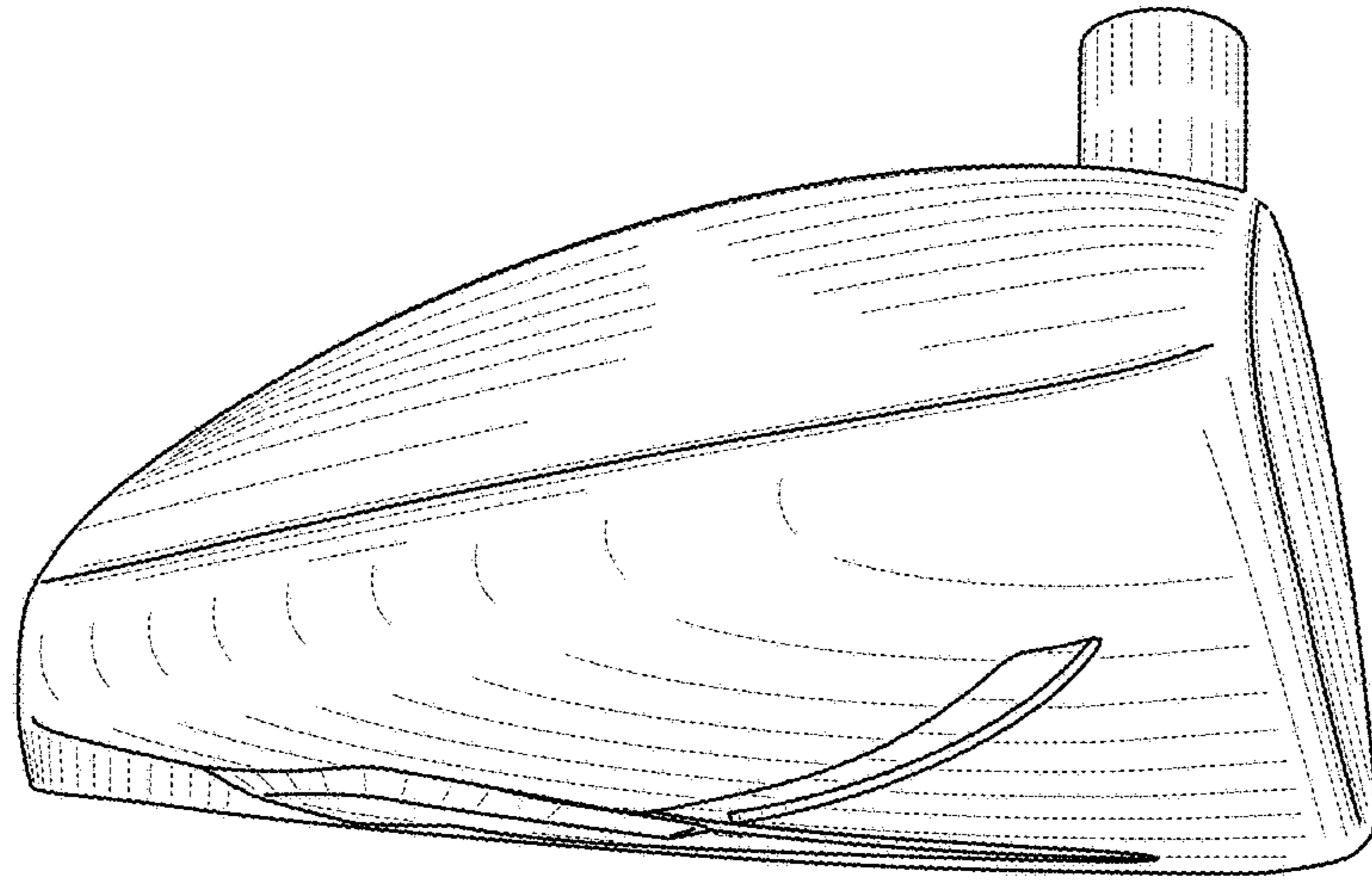


FIG. 6

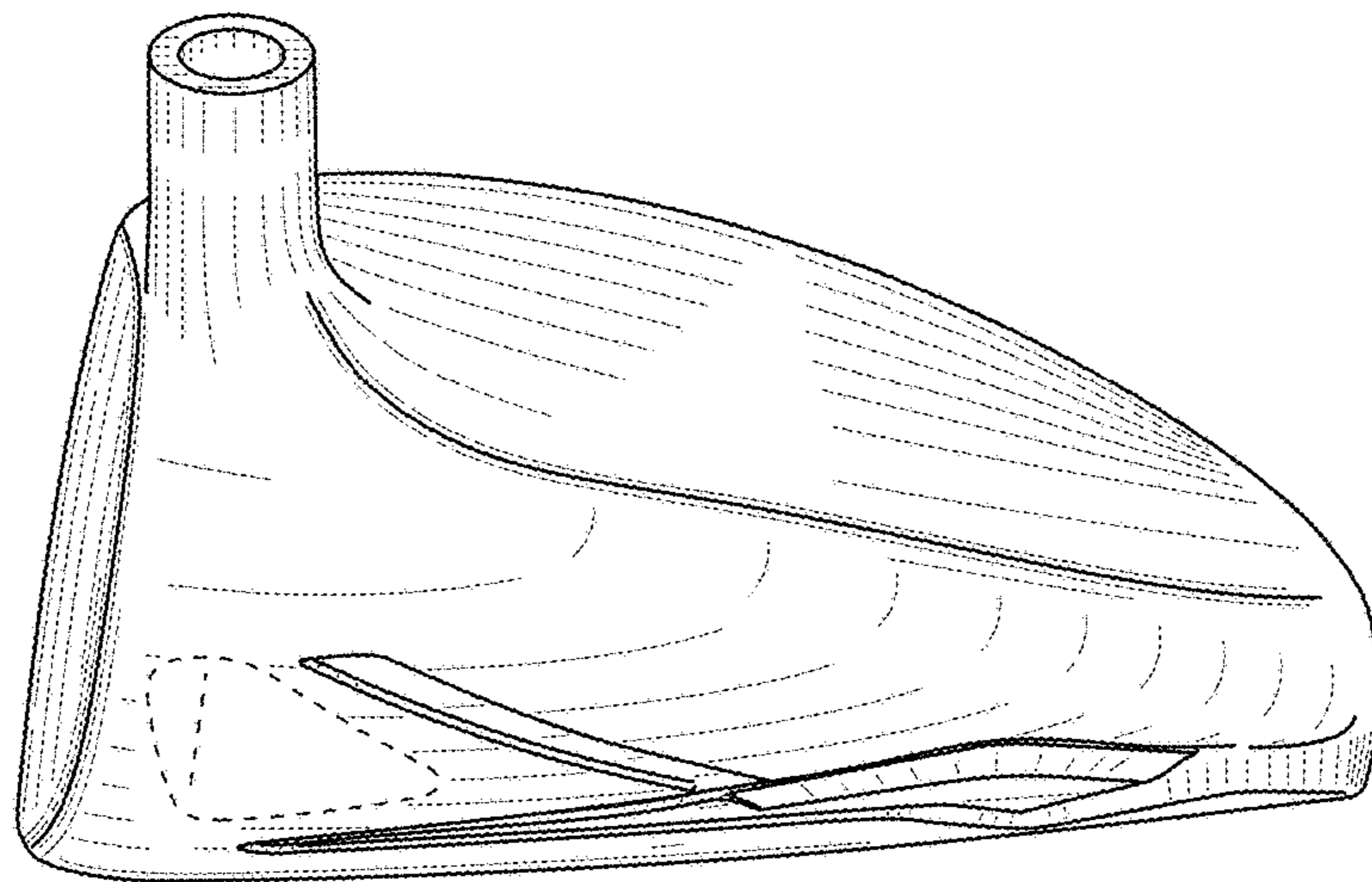


FIG. 7