



US00D846048S

(12) **United States Design Patent**  
**Hilton**

(10) **Patent No.:** **US D846,048 S**

(45) **Date of Patent:** **\*\* Apr. 16, 2019**

(54) **PUTTER HEAD**

(71) Applicant: **Callaway Golf Company**, Carlsbad, CA (US)

(72) Inventor: **Thomas R. Hilton**, Cardiff, CA (US)

(73) Assignee: **Callaway Golf Company**, Carlsbad, CA (US)

(\*\*) Term: **15 Years**

(21) Appl. No.: **29/634,421**

(22) Filed: **Jan. 22, 2018**

(51) **LOC (11) Cl.** ..... **21-02**

(52) **U.S. Cl.**  
USPC ..... **D21/744**

(58) **Field of Classification Search**  
USPC ..... D21/736-746, 759  
CPC ..... A63B 53/00; A63B 53/04; A63B 53/007;  
A63B 53/065; A63B 53/0487; A63B  
60/00; A63B 60/46  
See application file for complete search history.

(56) **References Cited**

**U.S. PATENT DOCUMENTS**

D296,120 S \* 6/1988 Brace ..... D21/739  
D565,680 S \* 4/2008 Gedeon ..... D21/736

D623,710 S \* 9/2010 Hilton ..... A63B 53/0487  
D21/743  
D626,191 S \* 10/2010 Hilton ..... D21/744  
D626,615 S \* 11/2010 Isbrandt ..... D21/759  
D800,855 S \* 10/2017 Rollinson ..... D21/742  
D803,334 S \* 11/2017 Becktor ..... D21/742

\* cited by examiner

*Primary Examiner* — Mitchell I. Siegel

(74) *Attorney, Agent, or Firm* — Rebecca Hanovice;  
Michael Catania; Sonia Lari

(57) **CLAIM**

The ornamental design for a putter head, as shown and described.

**DESCRIPTION**

FIG. 1 is a rear perspective view of the putter head claimed herein;

FIG. 2 is a rear elevational view thereof;

FIG. 3 is a front elevational view thereof;

FIG. 4 is a right side elevational view thereof;

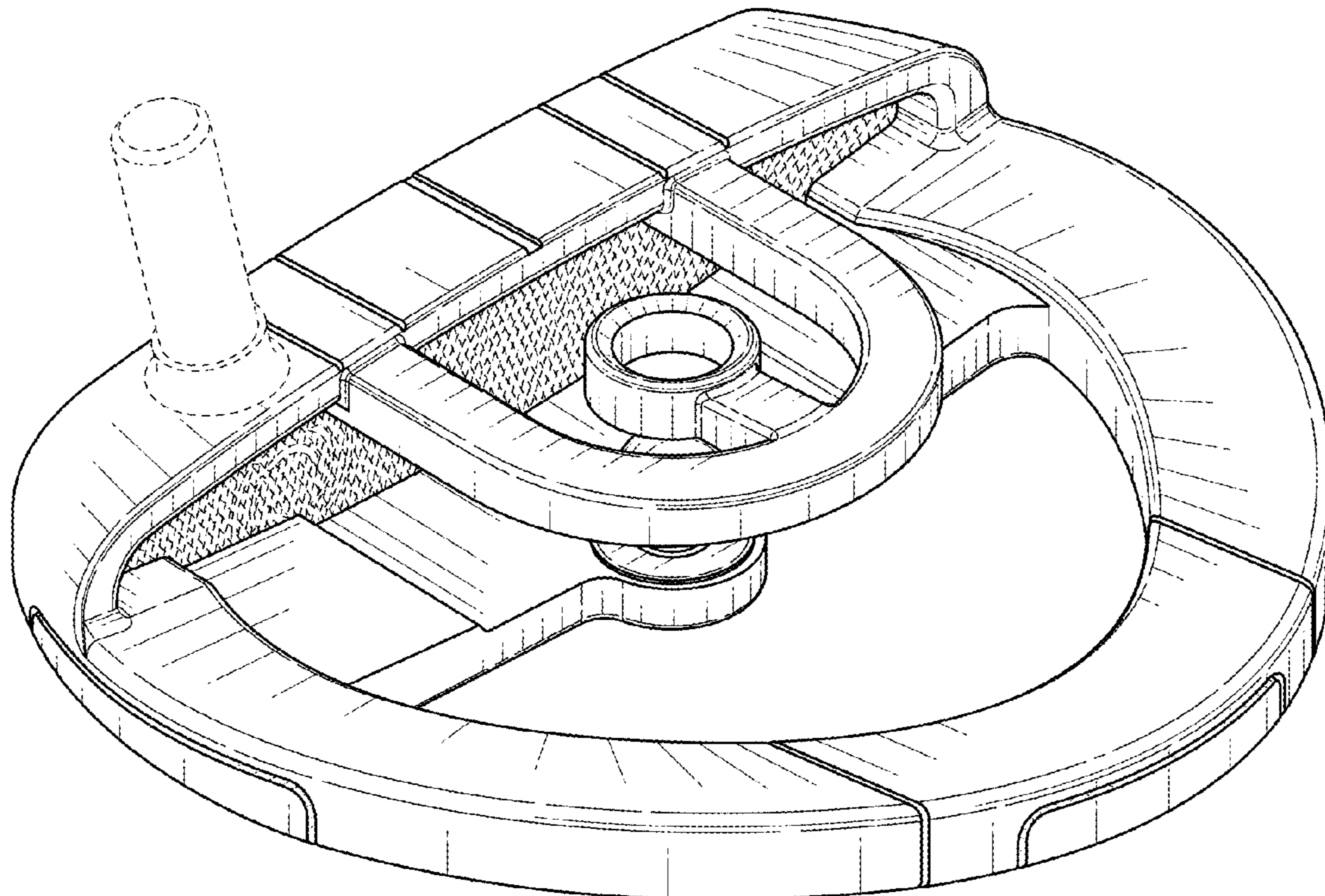
FIG. 5 is a left side elevational view thereof;

FIG. 6 is a top plan view thereof; and,

FIG. 7 is a bottom plan view thereof.

The broken line showing of the elements on the golf club head are included for the purpose of illustrating unclaimed subject matter and forms no part of the claimed design.

**1 Claim, 5 Drawing Sheets**



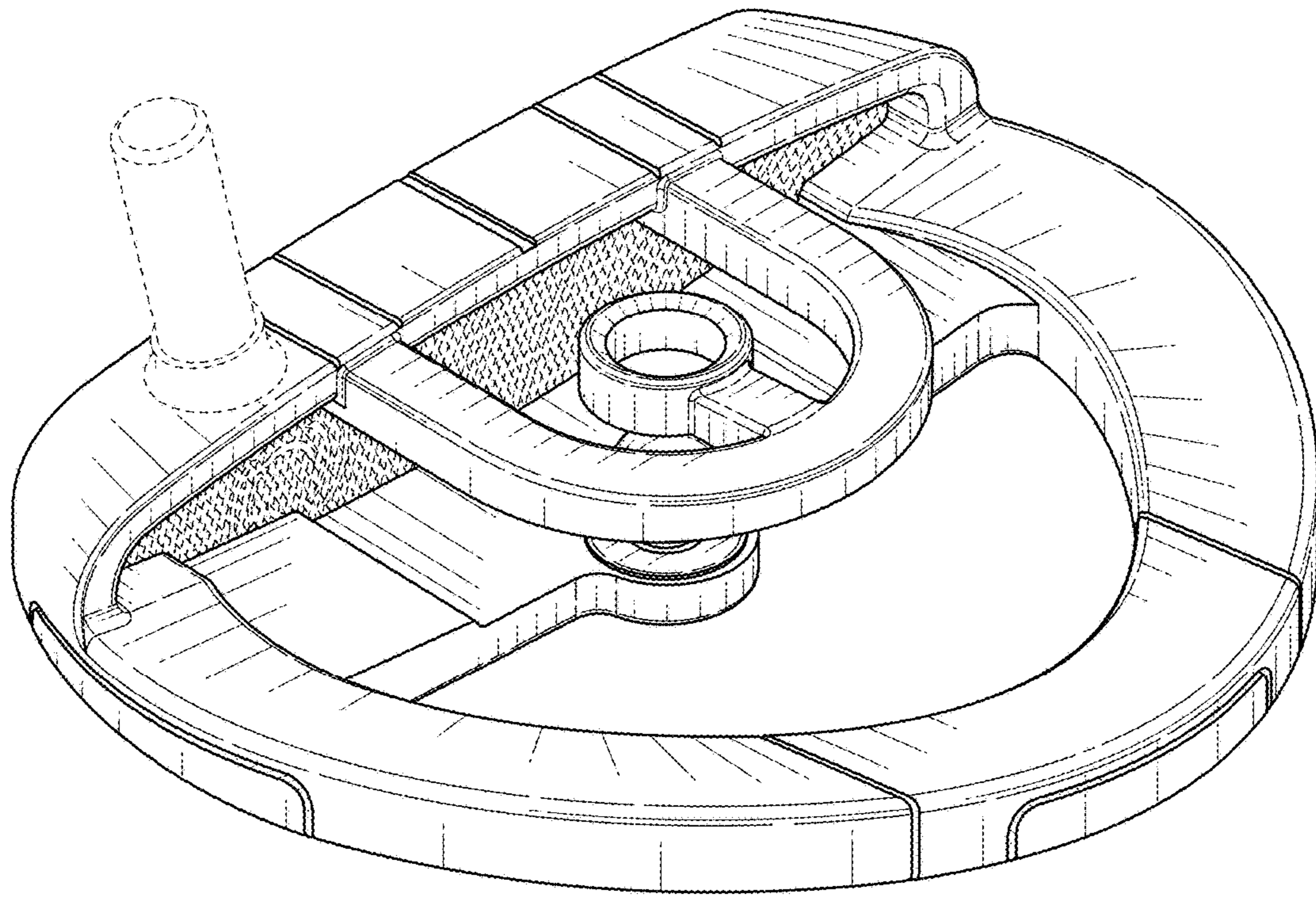


FIG. 1

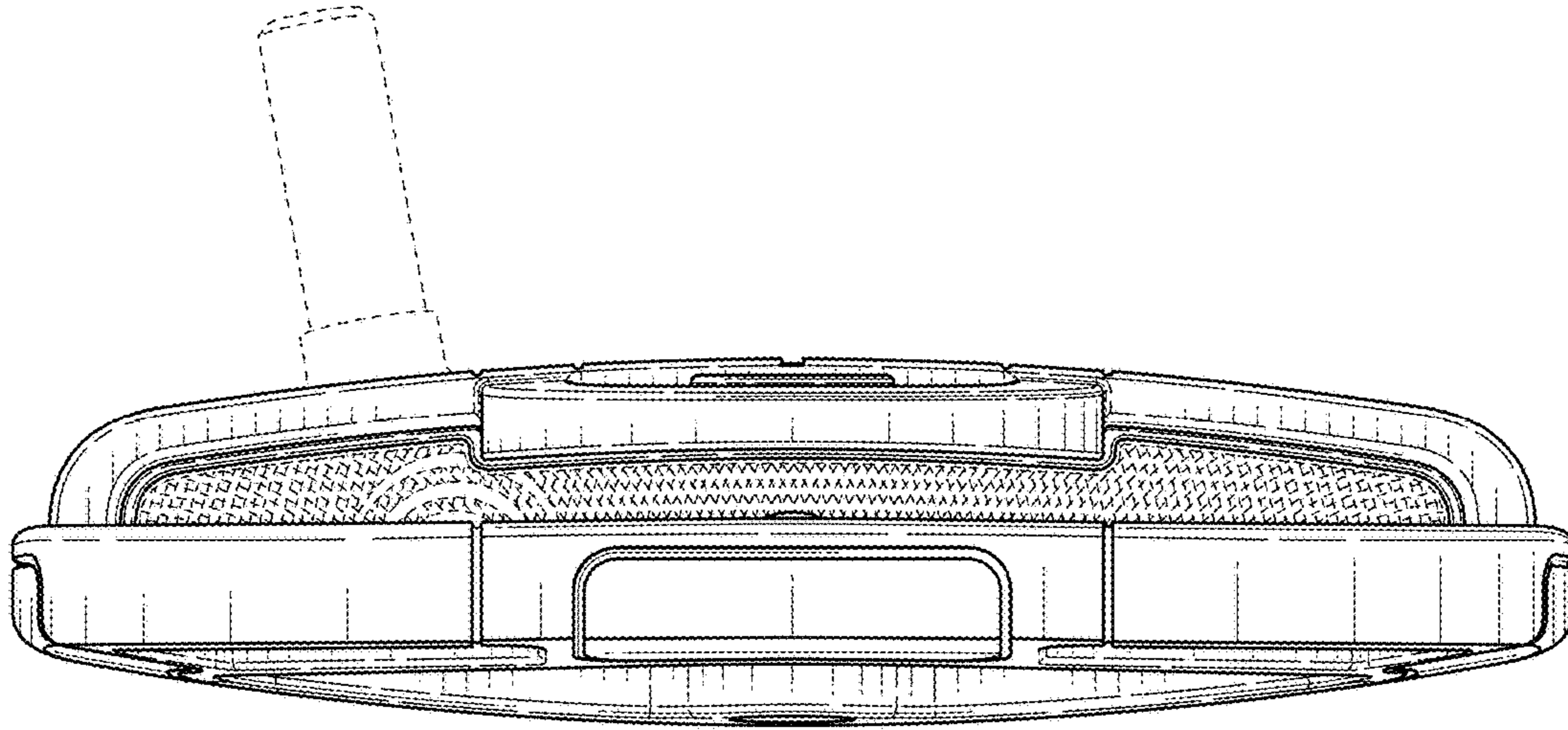


FIG. 2

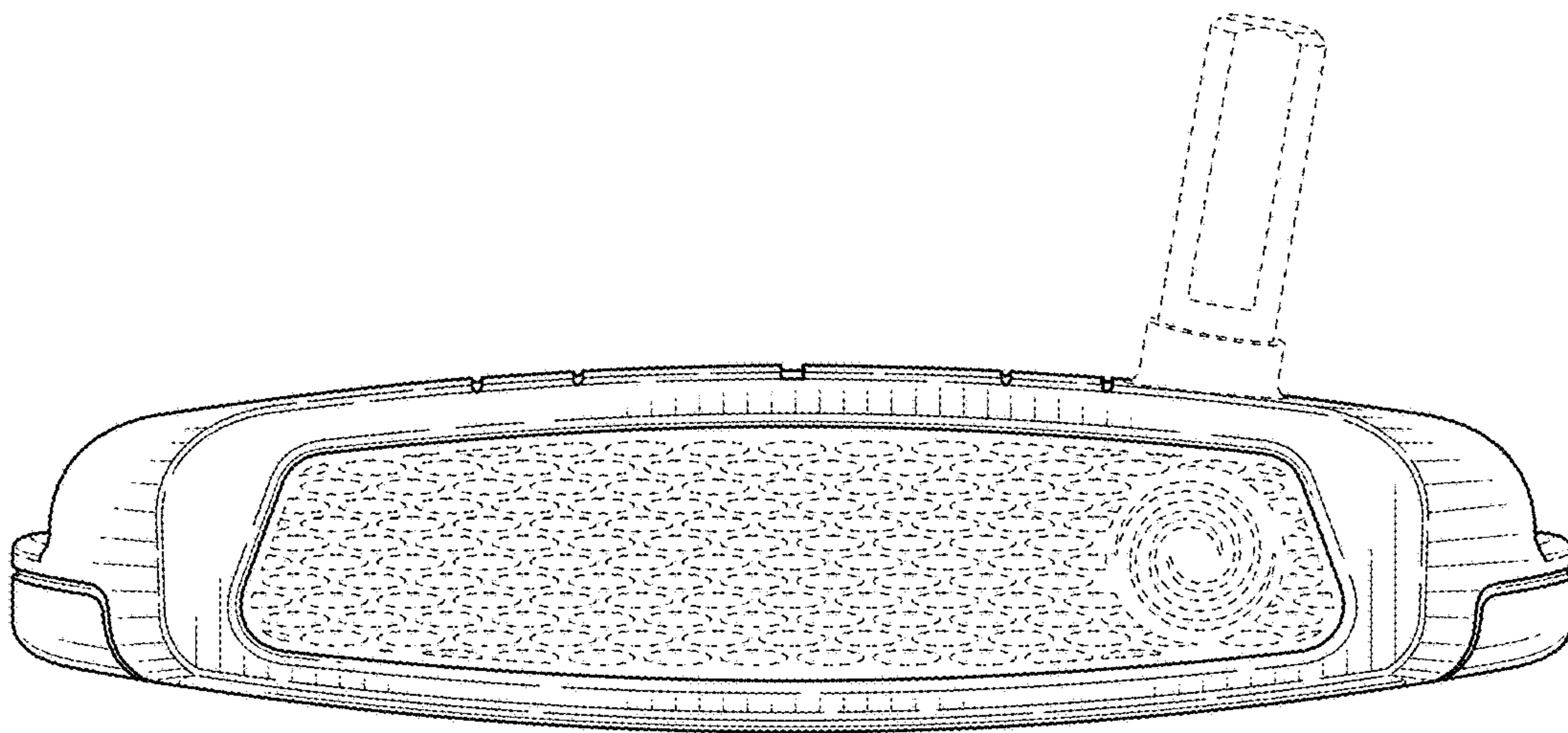


FIG. 3

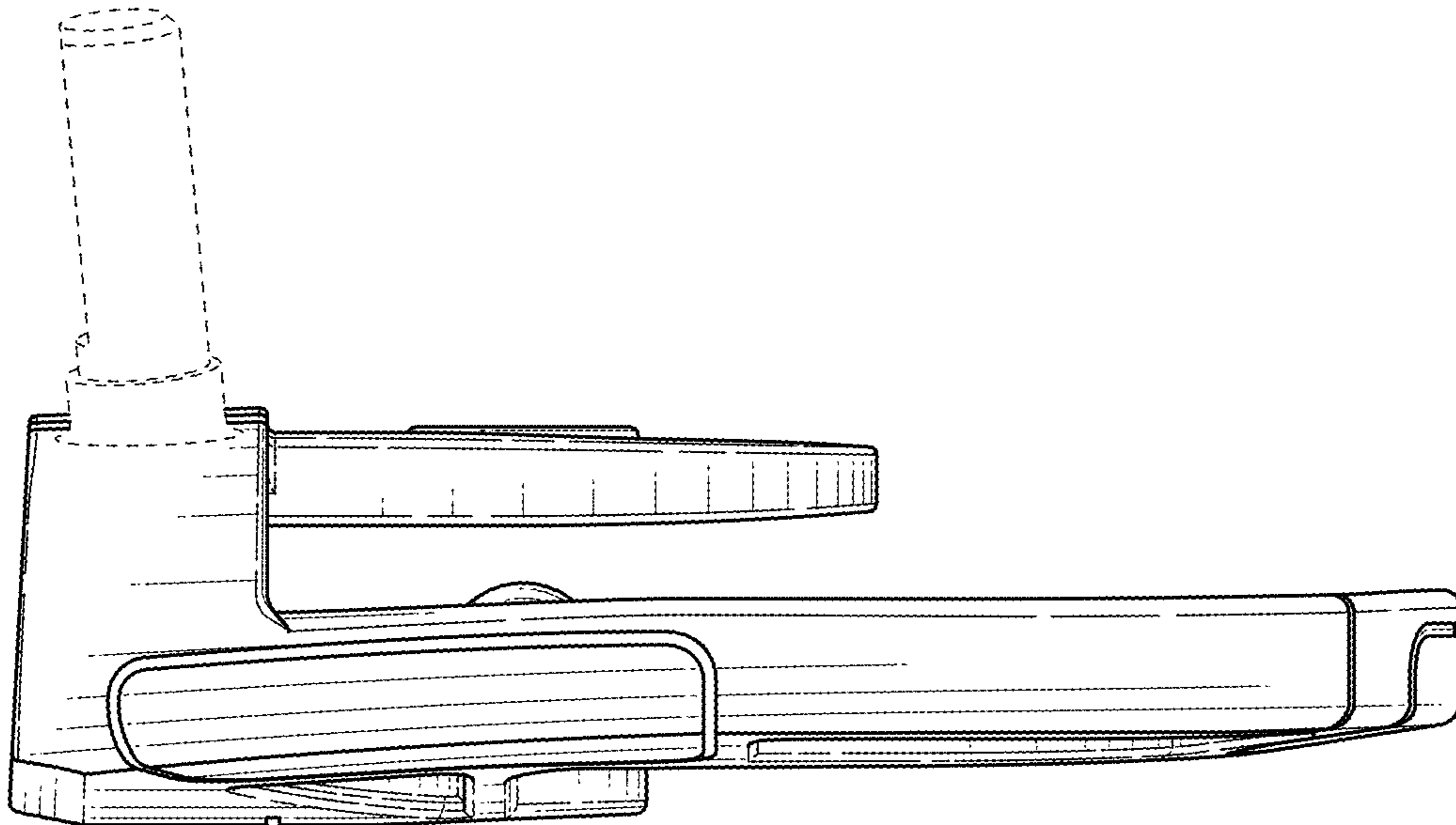


FIG. 4

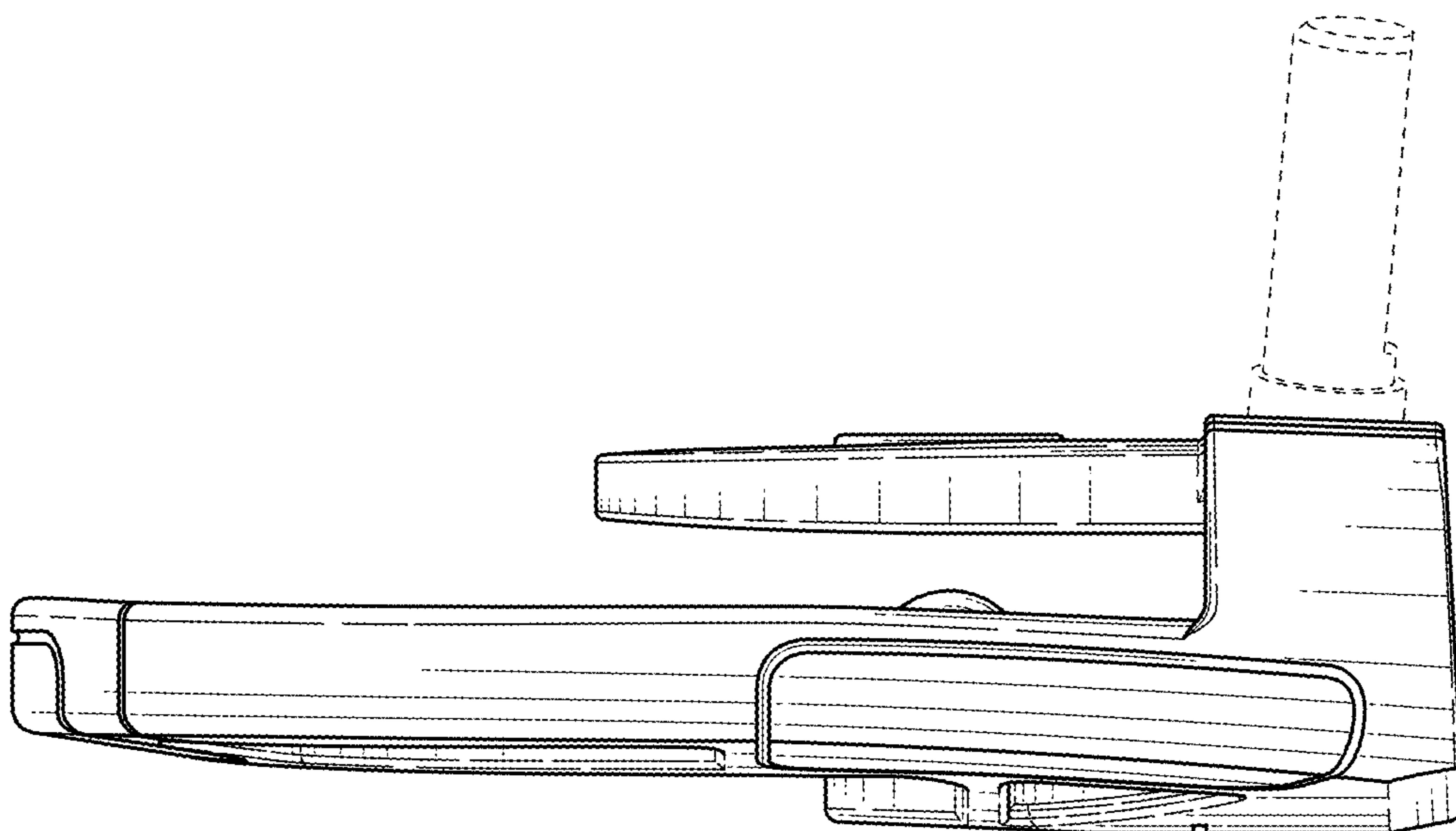


FIG. 5

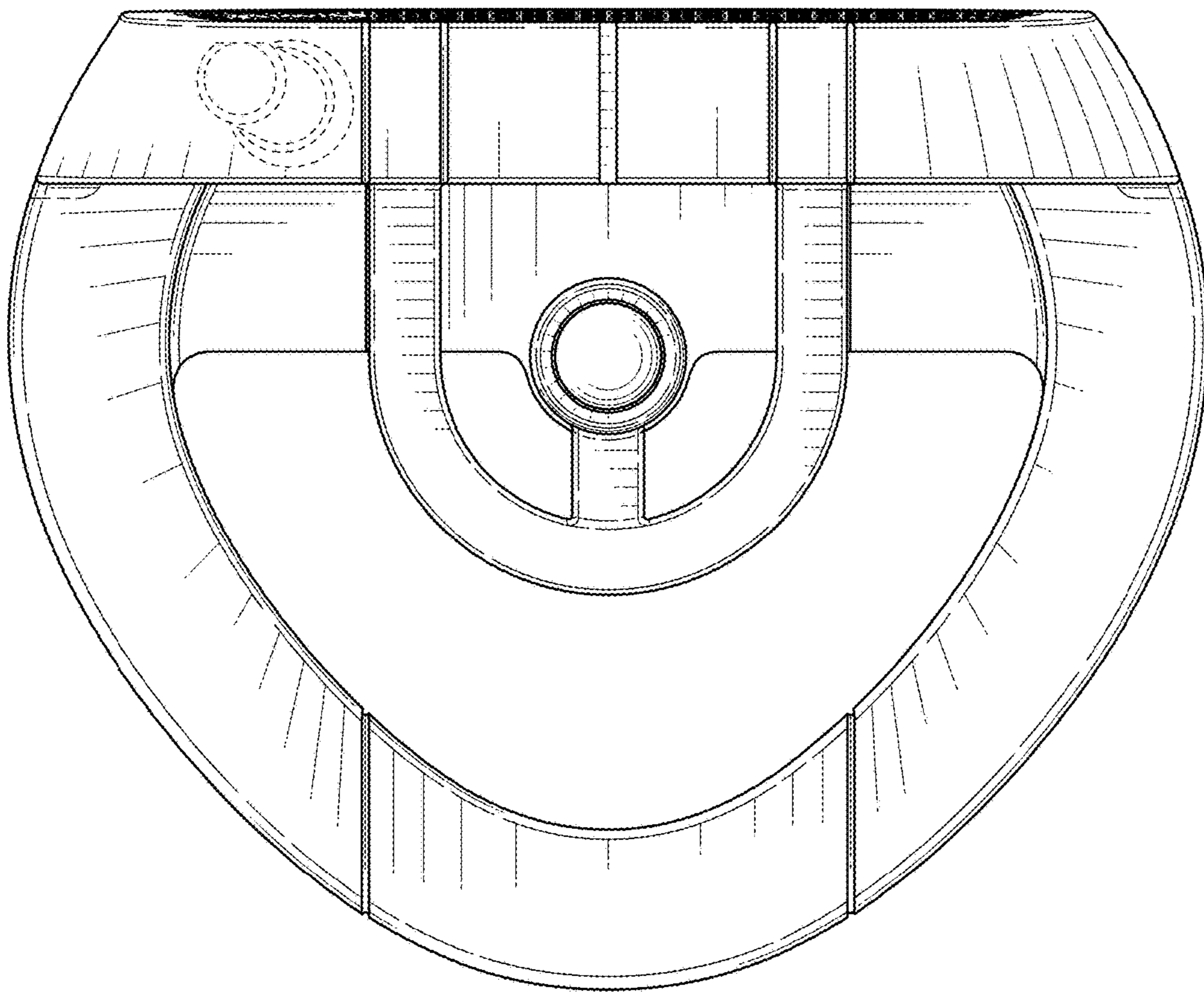


FIG. 6

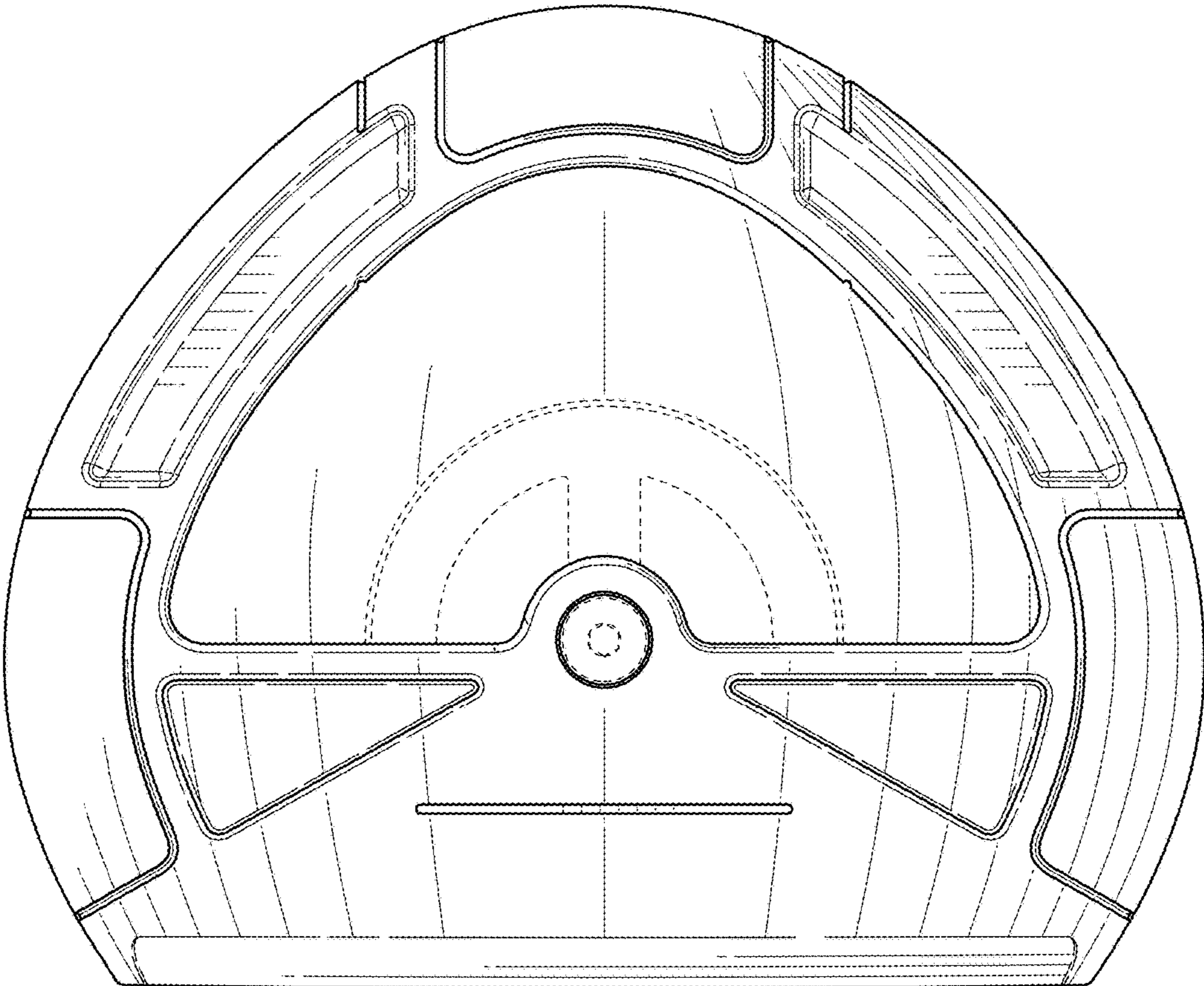


FIG. 7