



US00D846047S

(12) **United States Design Patent**
Hilton

(10) **Patent No.:** **US D846,047 S**

(45) **Date of Patent:** **** Apr. 16, 2019**

(54) **PUTTER HEAD**

(71) Applicant: **Callaway Golf Company**, Carlsbad,
CA (US)

(72) Inventor: **Thomas R. Hilton**, Cardiff, CA (US)

(73) Assignee: **Callaway Golf Company**, Carlsbad,
CA (US)

(**) Term: **15 Years**

(21) Appl. No.: **29/634,407**

(22) Filed: **Jan. 22, 2018**

(51) **LOC (11) Cl.** **21-02**

(52) **U.S. Cl.**
USPC **D21/744**

(58) **Field of Classification Search**
USPC D21/736-746, 759
CPC A63B 53/00; A63B 53/04; A63B 53/007;
A63B 53/065; A63B 53/0487; A63B
60/00; A63B 60/46

See application file for complete search history.

(56) **References Cited**

U.S. PATENT DOCUMENTS

| | | | |
|---------------|--------|---------------|-------------------------|
| D296,120 S * | 6/1988 | Brace | D21/739 |
| 5,916,035 A * | 6/1999 | Caiozzo | A63B 53/0487 473/252 |
| D565,681 S * | 4/2008 | Tanaka | D21/736 |
| D590,034 S * | 4/2009 | Foster | D21/744 |
| D590,035 S * | 4/2009 | Hilton | D21/744 |

| | | | |
|--------------|---------|------------------|---------|
| D603,006 S * | 10/2009 | Foster | D21/736 |
| D626,615 S * | 11/2010 | Isbrandt | D21/759 |
| D636,829 S * | 4/2011 | Cardani | D21/759 |
| D641,814 S * | 7/2011 | Hilton | D21/742 |
| D719,622 S * | 12/2014 | Rollinson | D21/746 |
| D771,208 S * | 11/2016 | Bettinardi | D21/744 |
| D801,457 S * | 10/2017 | Lewis | D21/736 |
| D820,366 S * | 6/2018 | Hilton | D21/746 |
| D832,949 S * | 11/2018 | Nicolette | D21/736 |

* cited by examiner

Primary Examiner — Mitchell I. Seigel

(74) *Attorney, Agent, or Firm* — Rebecca Hanovice;
Michael Catania; Sonia Lari

(57) **CLAIM**

The ornamental design for a putter head, as shown and described.

DESCRIPTION

FIG. 1 is a rear perspective view of the putter head claimed herein;

FIG. 2 is a rear elevational view thereof;

FIG. 3 is a front elevational view thereof;

FIG. 4 is a left side elevational view thereof;

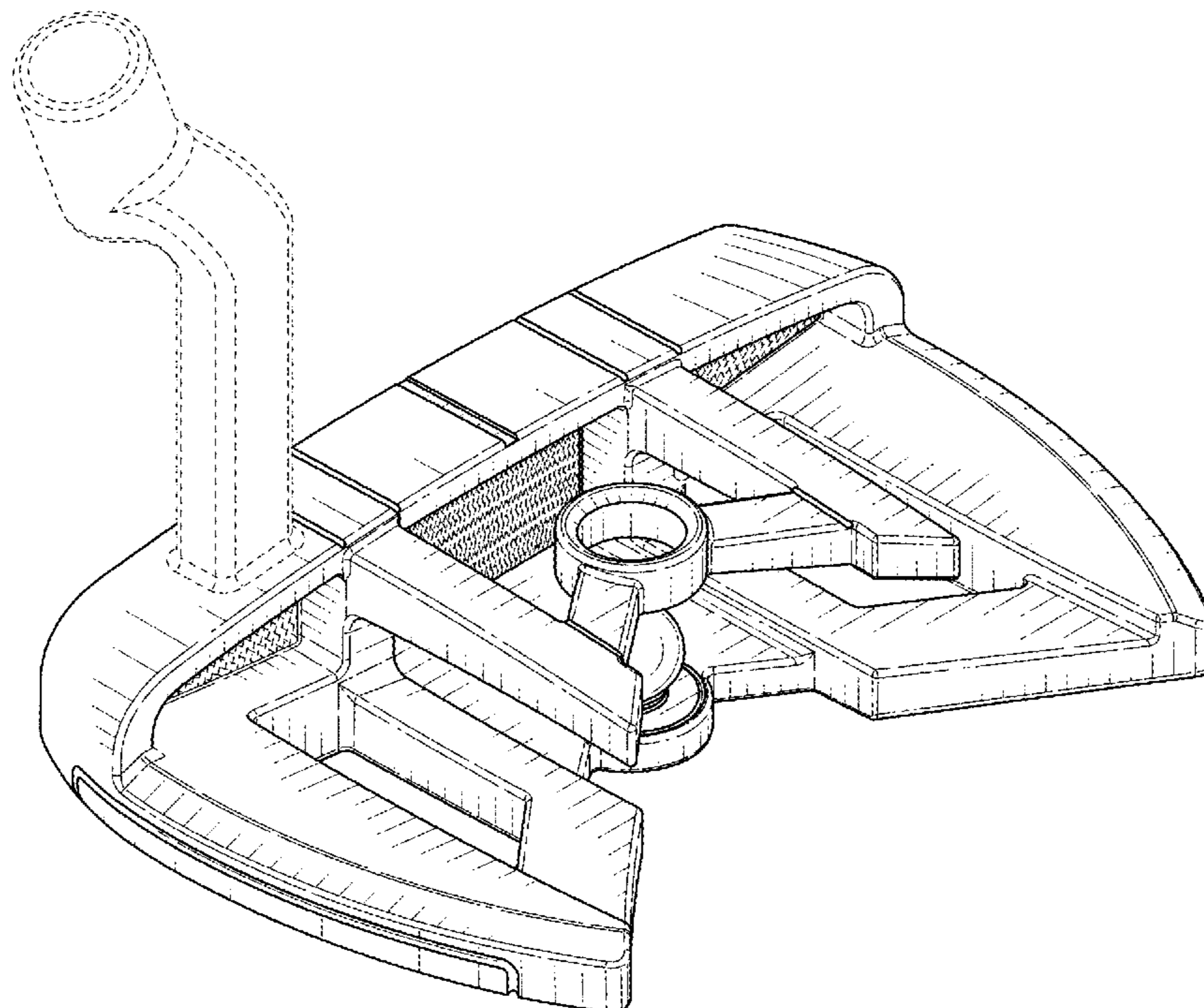
FIG. 5 is a right side elevational view thereof;

FIG. 6 is a top plan view thereof; and,

FIG. 7 is a bottom plan view thereof.

The broken line showing of the elements on the golf club head are included for the purpose of illustrating unclaimed subject matter and forms no part of the claimed design.

1 Claim, 5 Drawing Sheets



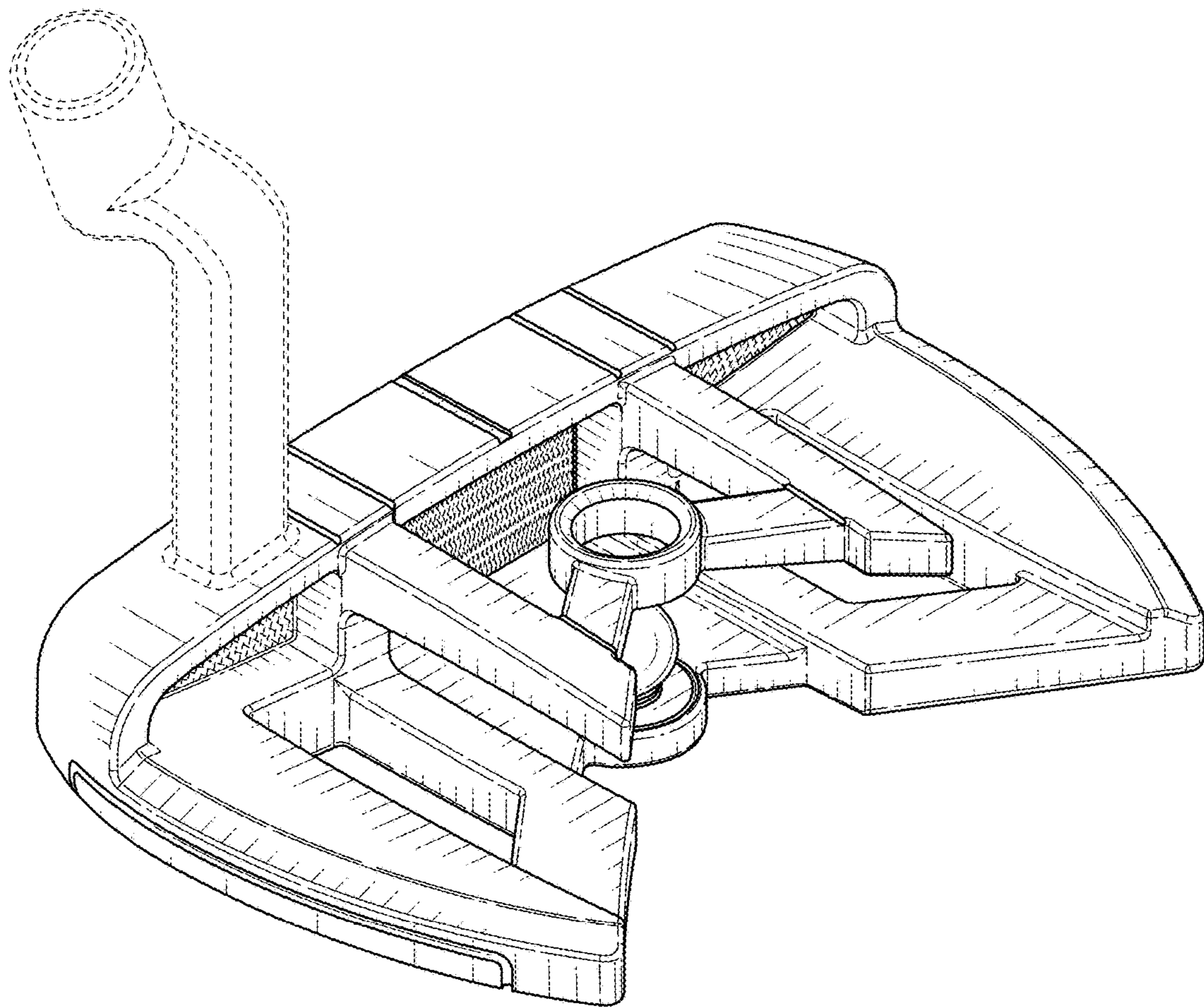


FIG. 1

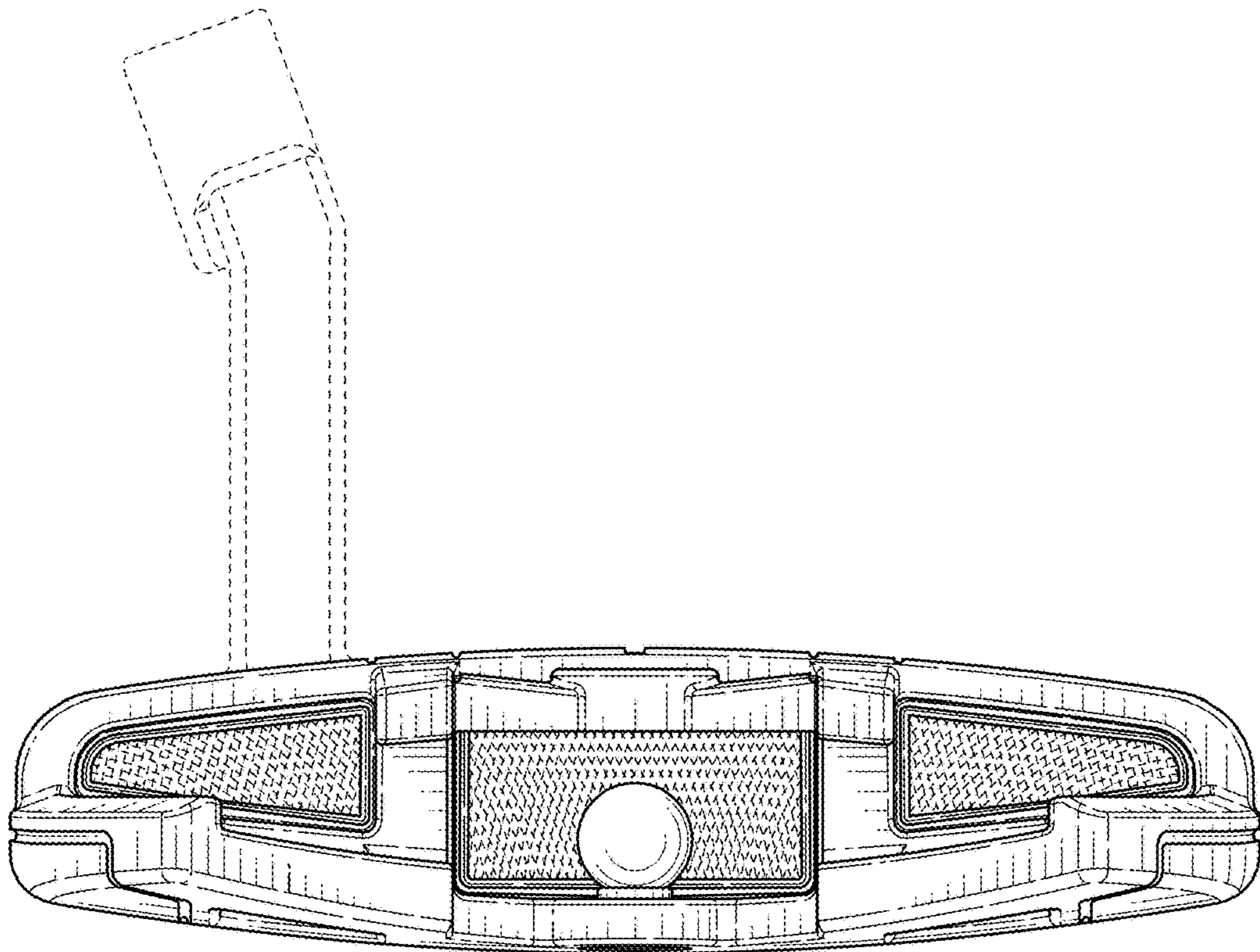


FIG. 2

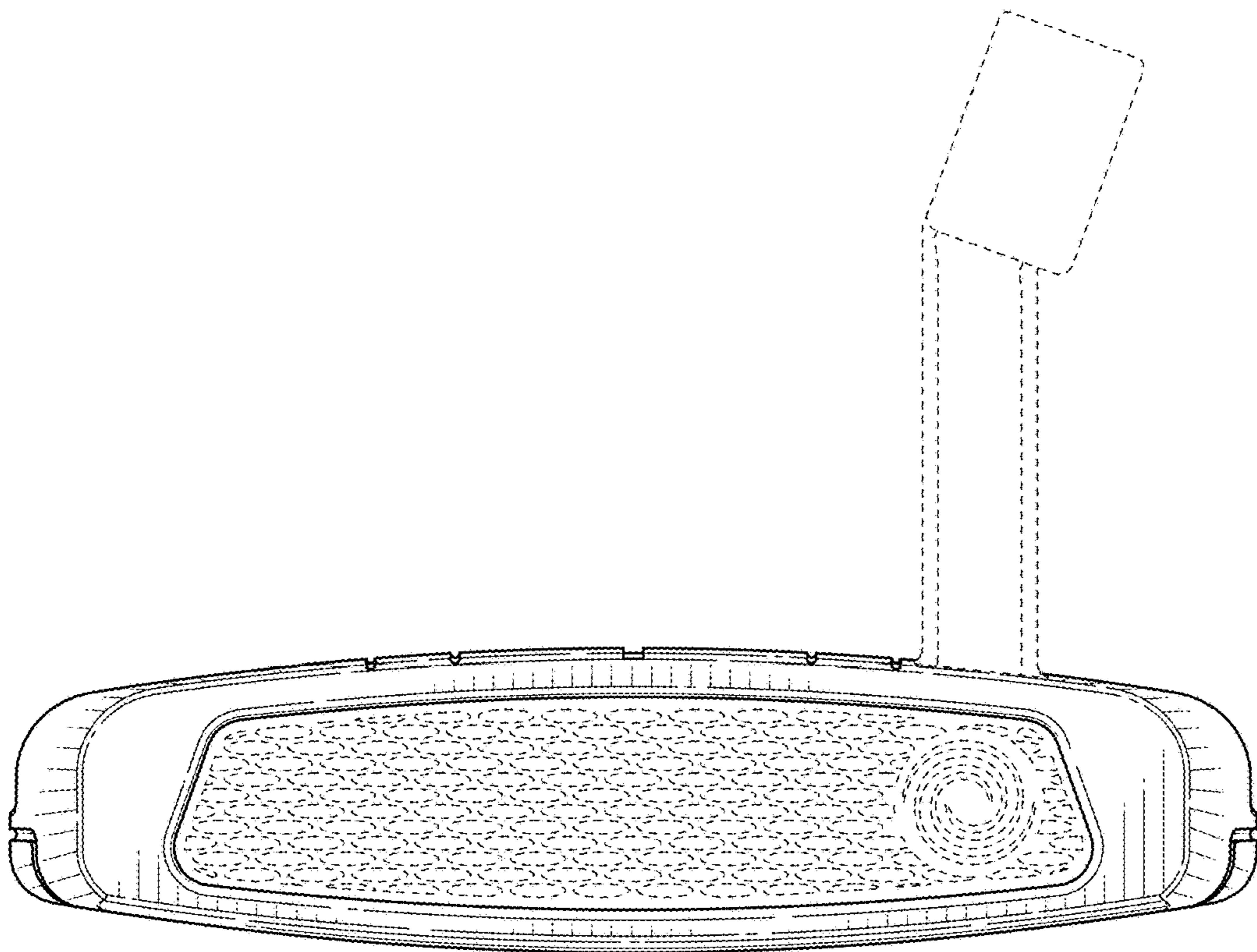


FIG. 3

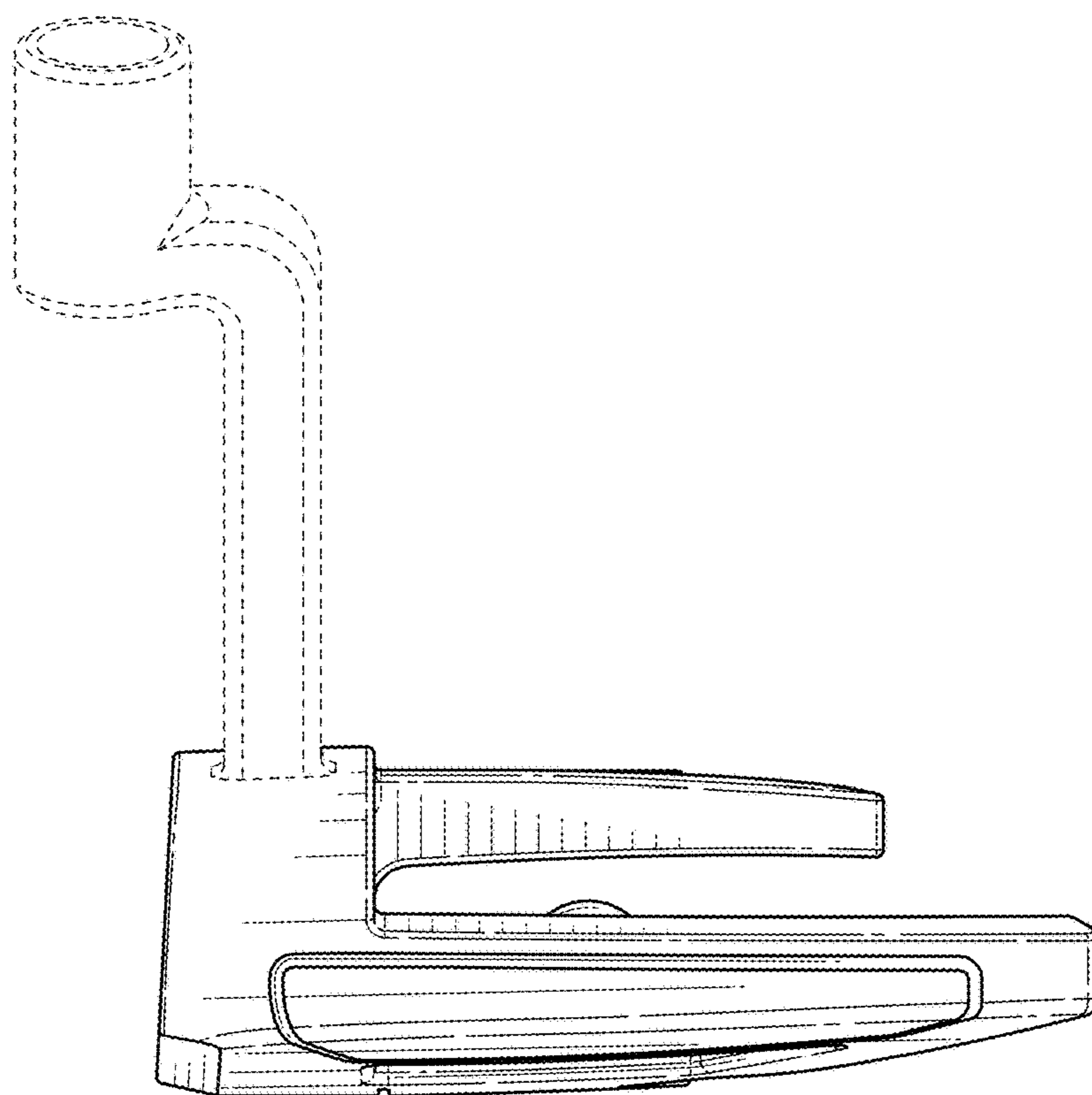


FIG. 4

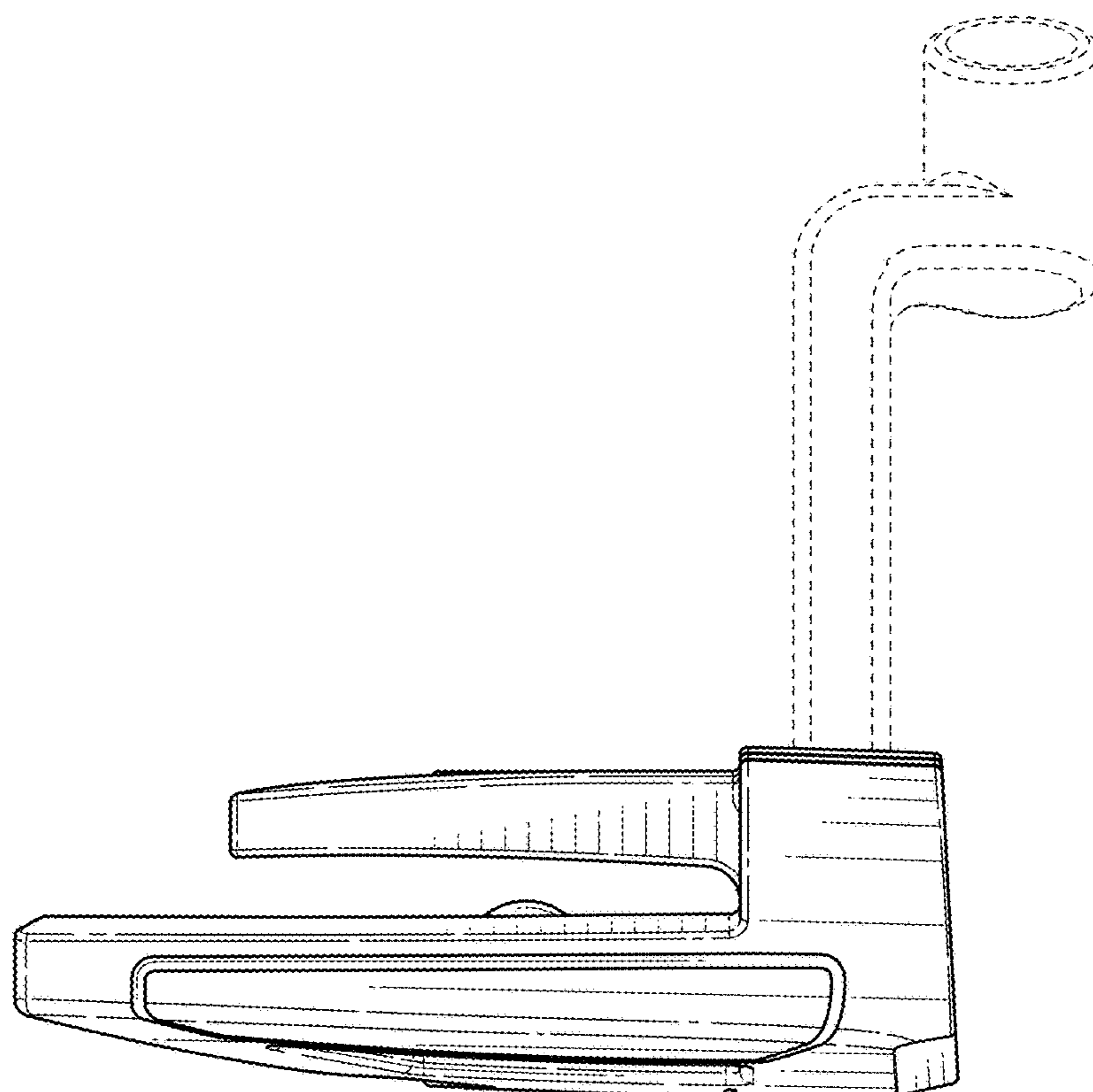


FIG. 5

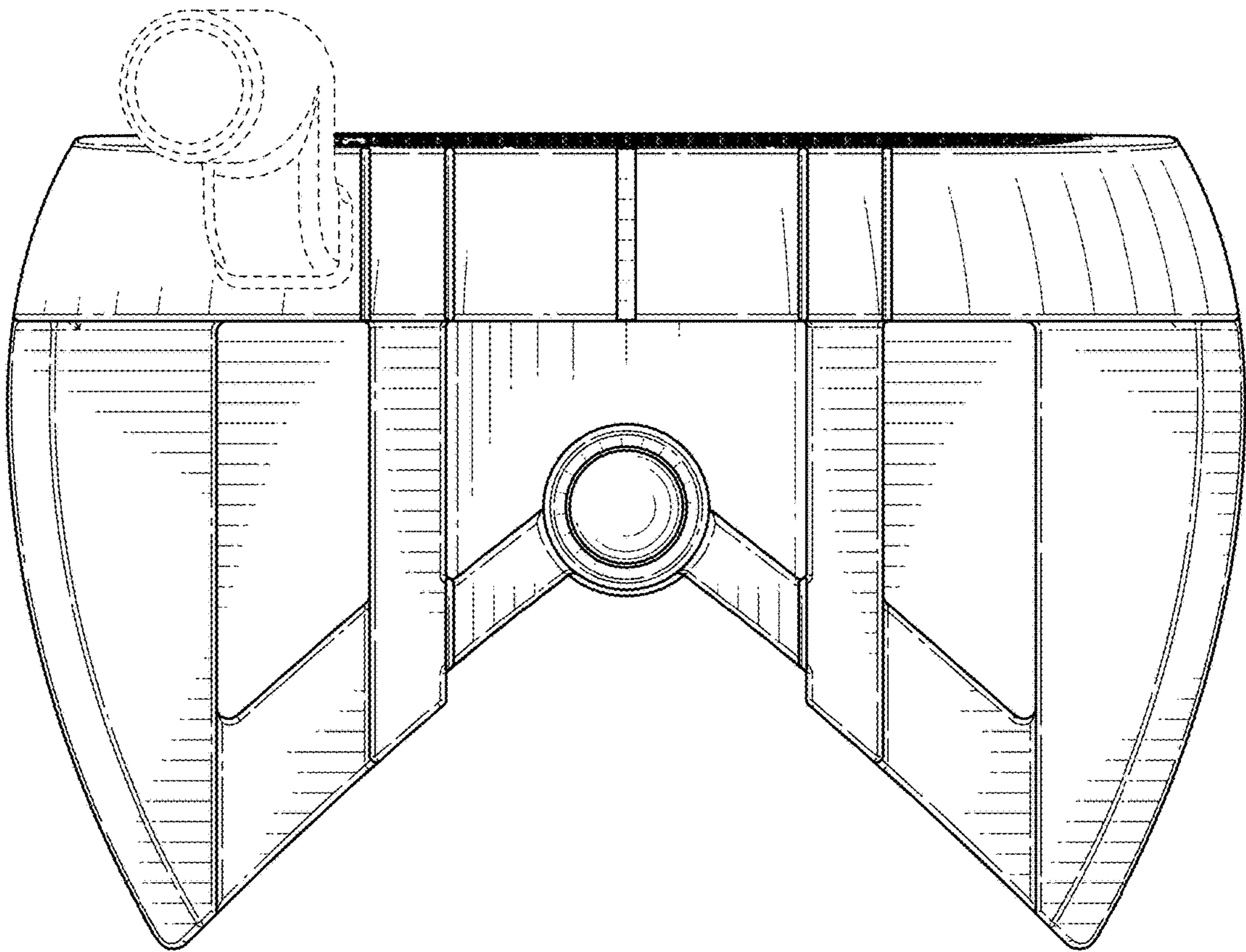


FIG. 6

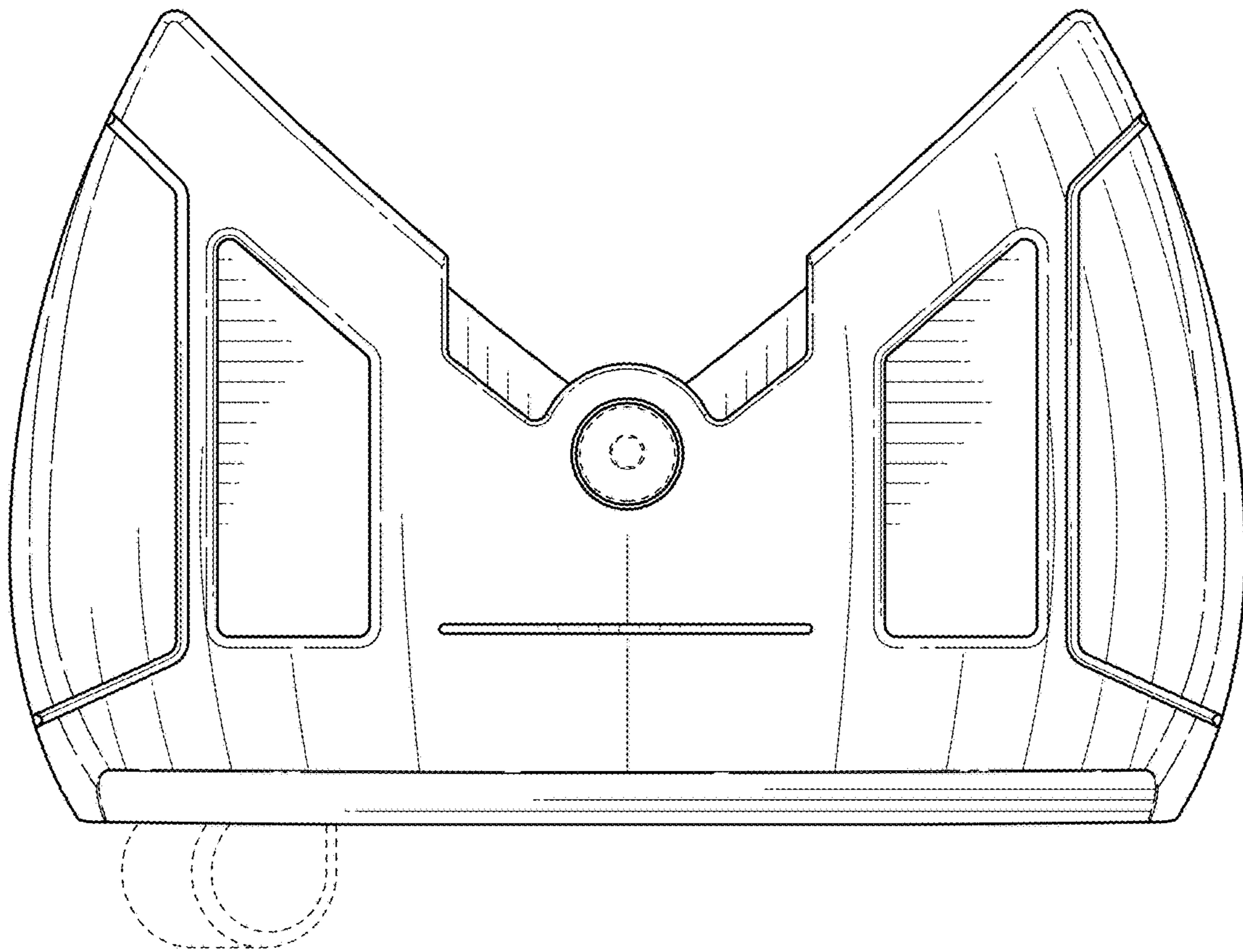


FIG. 7