



US00D846044S

(12) **United States Design Patent** (10) **Patent No.:** **US D846,044 S**
Peritz (45) **Date of Patent:** **** Apr. 16, 2019**

(54) **SWIVEL LOOP FOR EXERCISE BAR**

(71) Applicant: **Robert Peritz**, San Diego, CA (US)

(72) Inventor: **Robert Peritz**, San Diego, CA (US)

(**) Term: **15 Years**

(21) Appl. No.: **29/613,626**

(22) Filed: **Aug. 11, 2017**

(51) **LOC (11) Cl.** **21-02**

(52) **U.S. Cl.**
USPC **D21/694**

(58) **Field of Classification Search**
USPC D8/349, 356, 367, 382; D21/673, 679,
D21/694; 482/33, 38, 41
CPC A63B 21/16; A63B 21/4049; A63B 71/00
See application file for complete search history.

(56) **References Cited**

U.S. PATENT DOCUMENTS

D255,322 S *	6/1980	Ireland	D8/356
D262,730 S *	1/1982	Lambert, Jr.	D21/694
D274,539 S *	7/1984	Bankier	D21/679
D324,894 S *	3/1992	Porcello	D21/679
D396,510 S *	7/1998	Marney	D21/684
D405,352 S *	2/1999	Rosenbauer	D8/382
D453,102 S *	1/2002	Postelwait	D8/349
D527,683 S *	9/2006	Turvey	D11/221
D565,133 S *	3/2008	Mollet	D21/694
7,892,157 B2 *	2/2011	Arnett	A63B 21/068 482/131
D728,039 S *	4/2015	Groshek	D21/679
D818,059 S *	5/2018	Barton	D21/679
2014/0287886 A1 *	9/2014	Patti	A63B 71/0054 482/93

OTHER PUBLICATIONS

Amazon, "Yes4All Lat Machine Accessory Pull Down Option", Dec. 18, 2013. https://www.amazon.com/Yes4All-Revolving-Straight-Non-Slip-Handle/dp/B00HHED202/ref=cm_cr_arp_d_product_top?ie=UTF8. Shown on p. 1. (Year: 2013).*

* cited by examiner

Primary Examiner — Cynthia Ramirez

Assistant Examiner — Michael A Maharajh

(74) *Attorney, Agent, or Firm* — Lewis Kohn & Walker LLP; Kari Moyer-Henry

(57) **CLAIM**

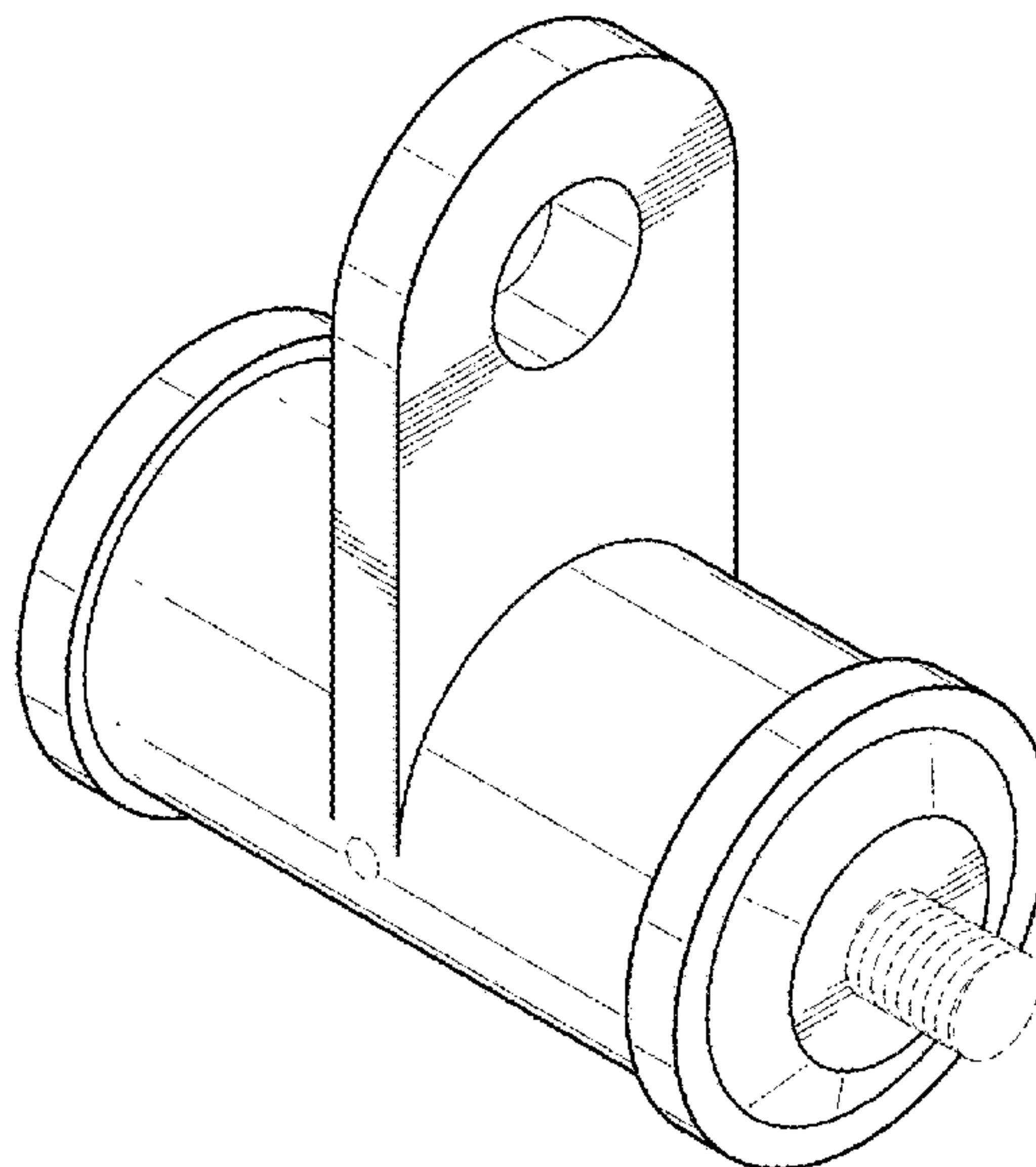
The ornamental design for a swivel loop for exercise bar, as shown and described.

DESCRIPTION

FIG. 1 is a front perspective view of the swivel loop for exercise bar of the present invention;
FIG. 2 is a back perspective view of the swivel loop for exercise bar shown in FIG. 1;
FIG. 3 is a back view of the swivel loop for exercise bar shown in FIG. 1; and
FIG. 4 is a right side view of the swivel loop for exercise bar shown in FIG. 1;
FIG. 5 is a front view of the swivel loop for exercise bar shown in FIG. 1;
FIG. 6 is a left side view of the swivel loop for exercise bar shown in FIG. 1;
FIG. 7 is a top view of the swivel loop for exercise bar shown in FIG. 1; and,
FIG. 8 is a bottom view of the swivel loop for exercise bar shown in FIG. 1.

The broken lines shown in the figures are for the purpose of illustrating portions of the swivel loop for exercise bar, which form no part of the claimed design.

1 Claim, 4 Drawing Sheets



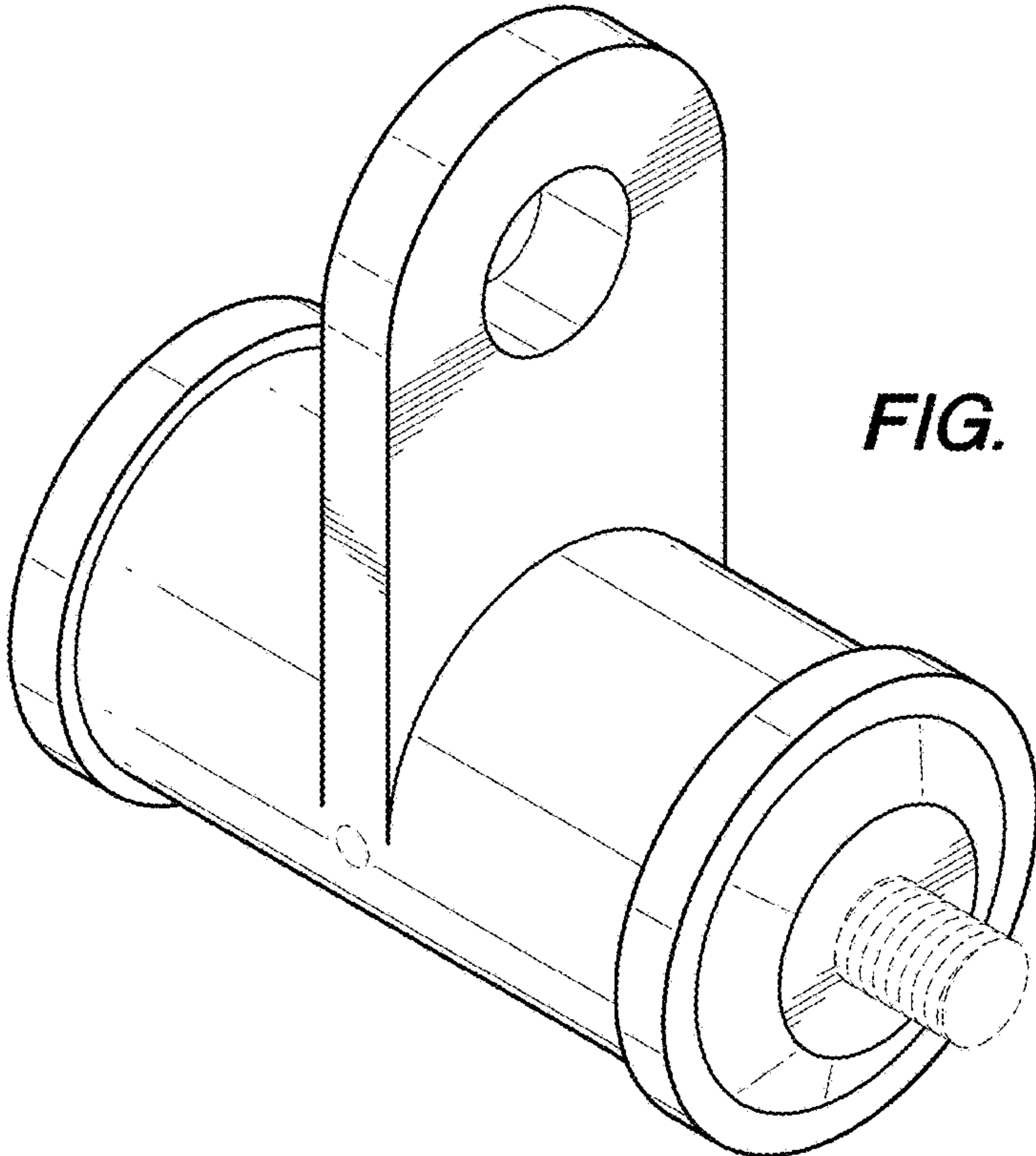


FIG. 1

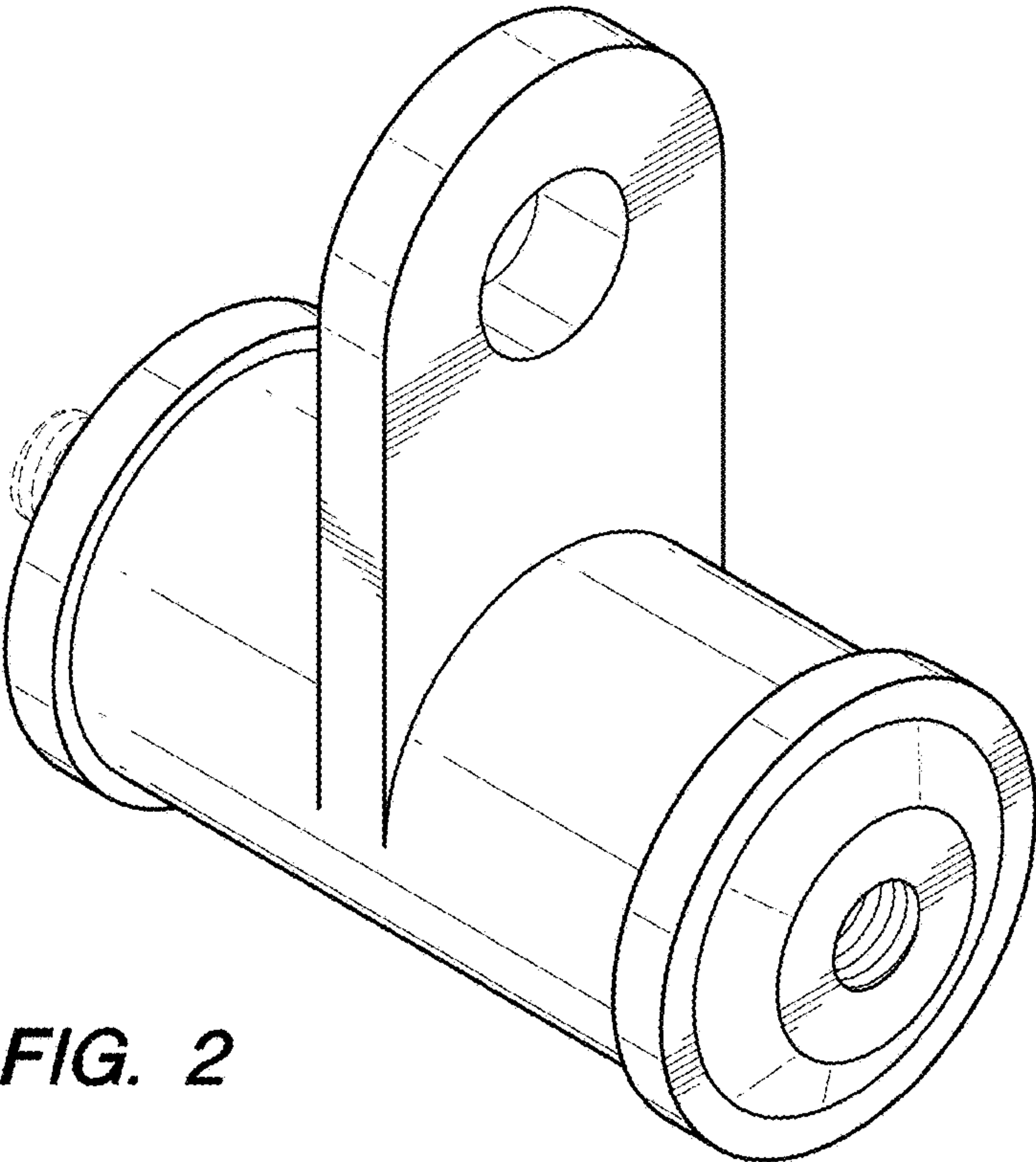


FIG. 2

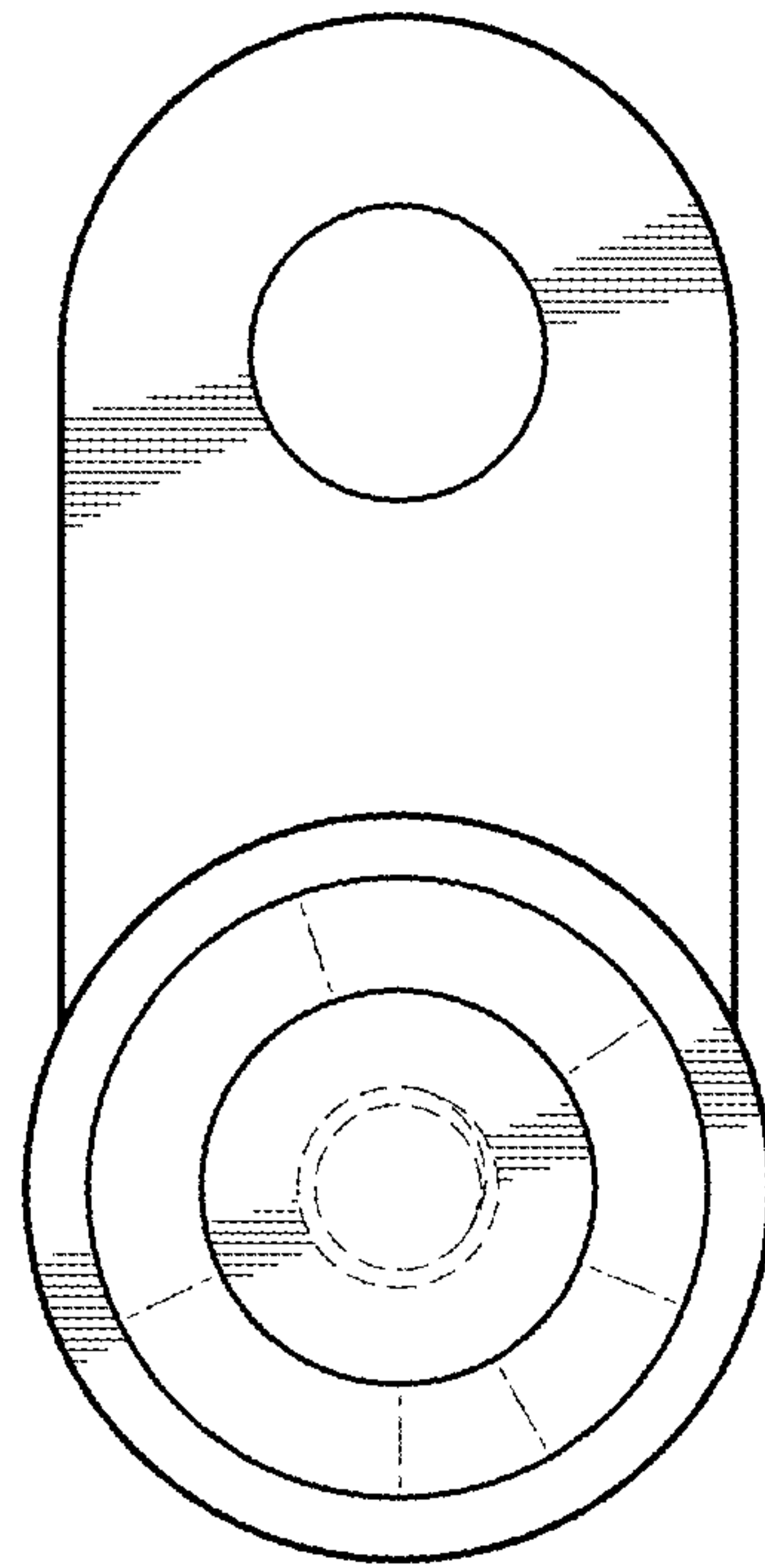


FIG. 3

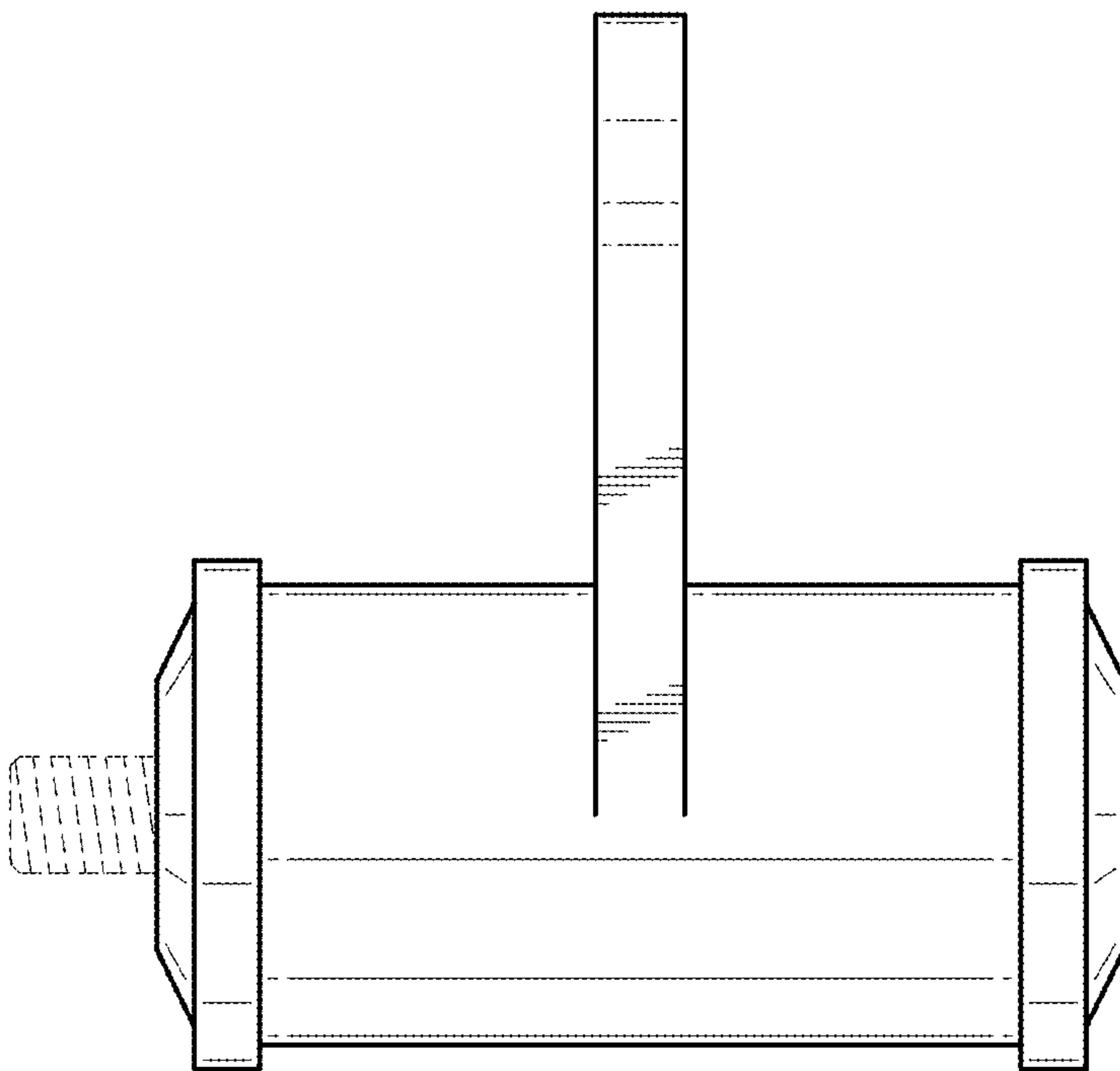


FIG. 4

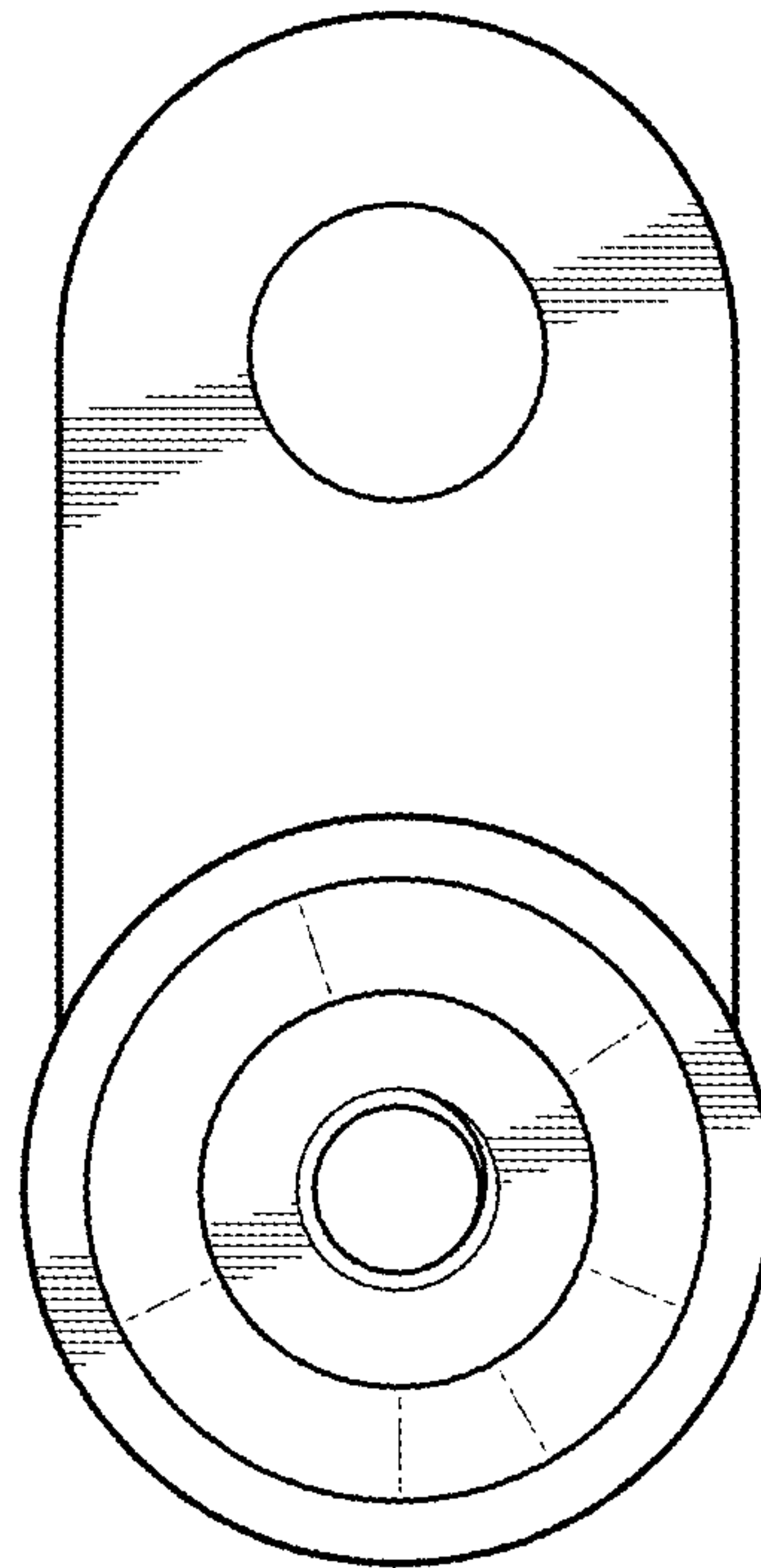


FIG. 5

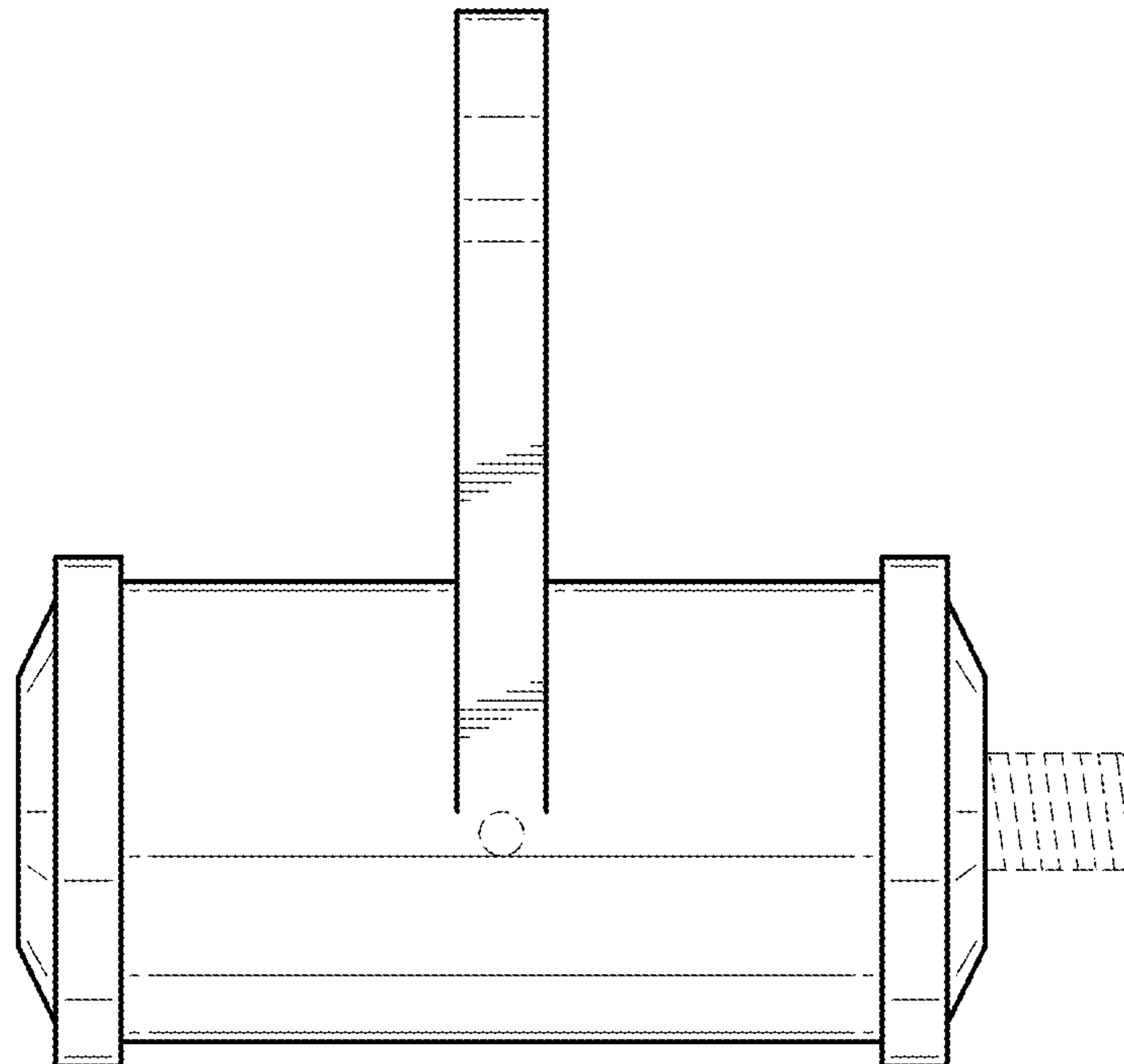


FIG. 6

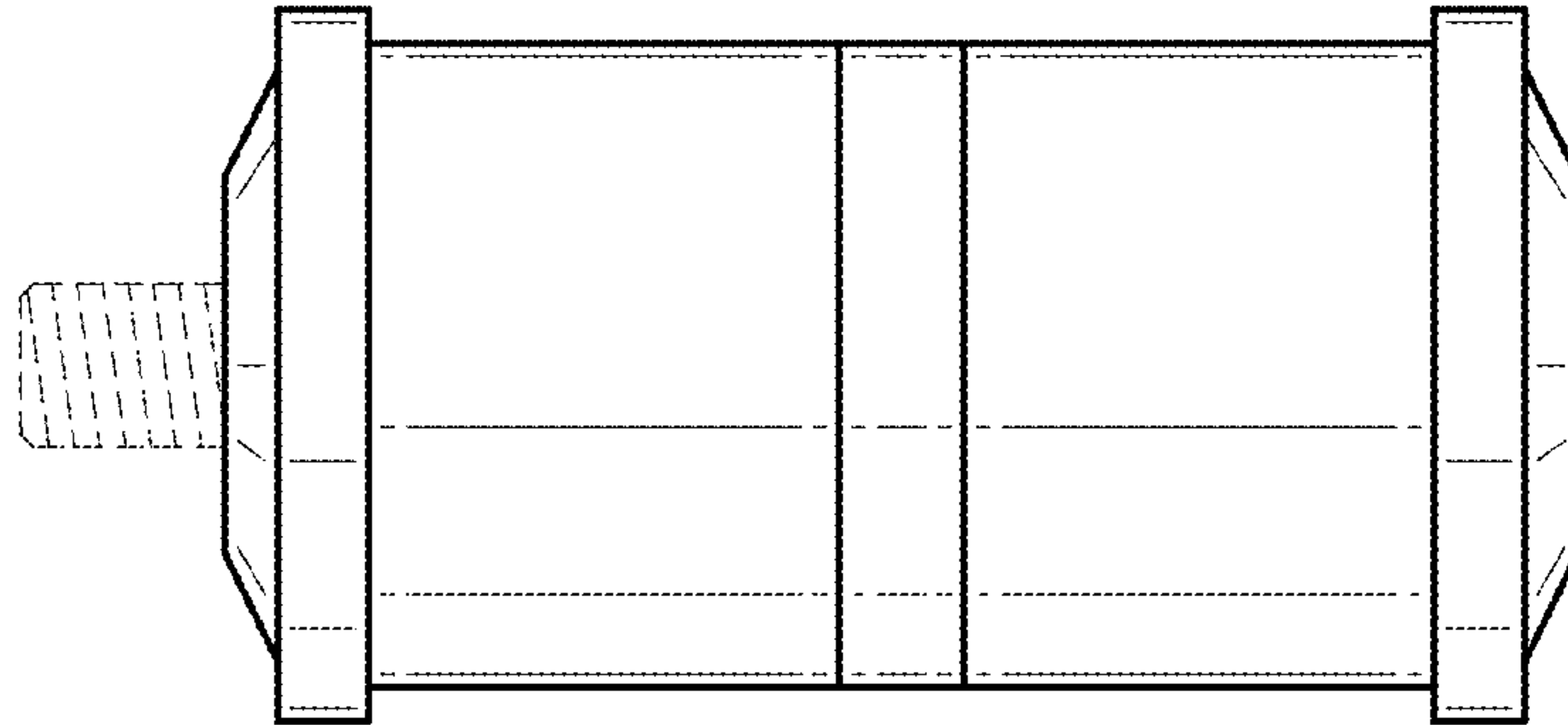


FIG. 7

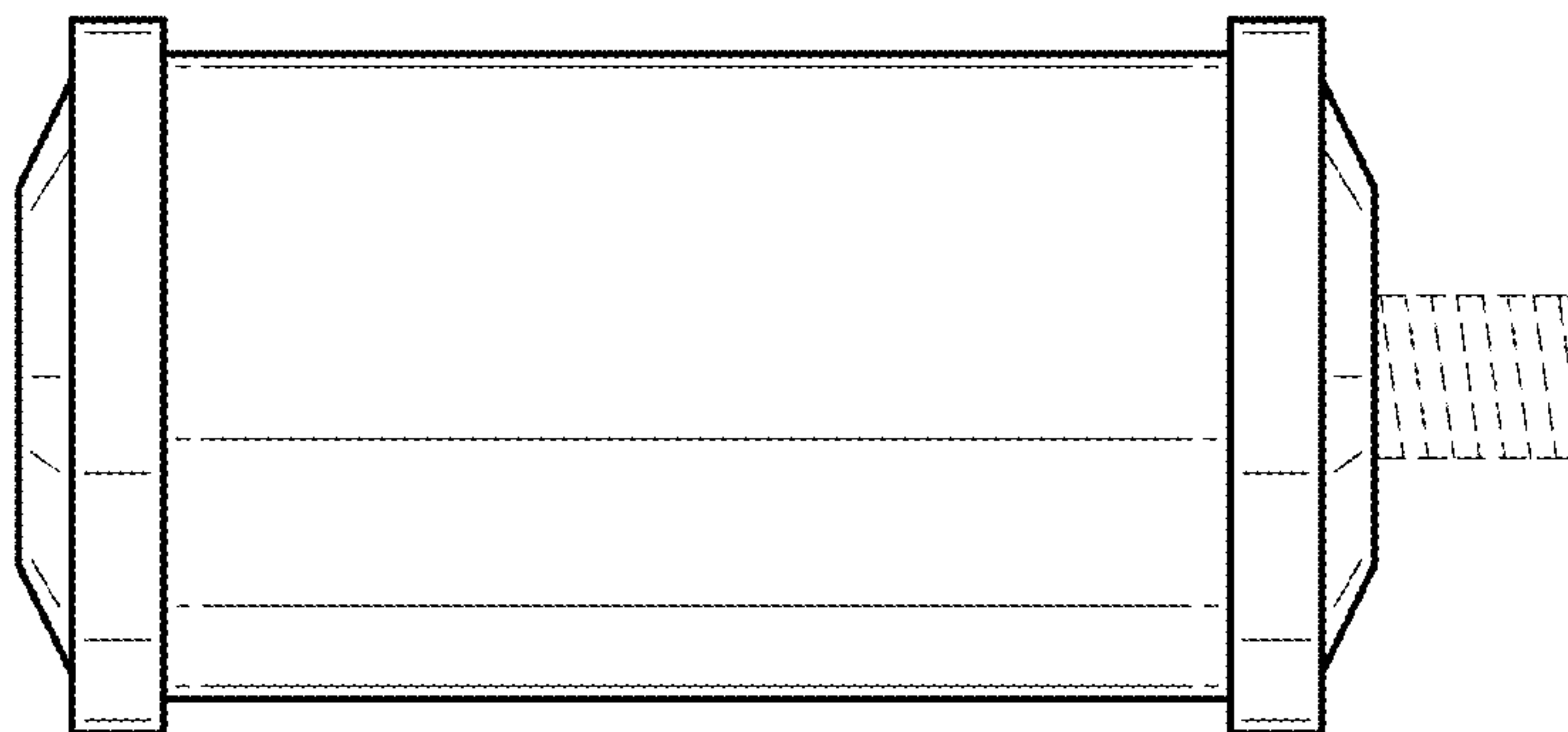


FIG. 8