



US00D846038S

(12) **United States Design Patent**
Lin

(10) **Patent No.:** **US D846,038 S**

(45) **Date of Patent:** **** Apr. 16, 2019**

- (54) **TOY GUN**
- (71) Applicant: **Hsin-Yi Lin**, Yilan (TW)
- (72) Inventor: **Hsin-Yi Lin**, Yilan (TW)
- (**) Term: **15 Years**
- (21) Appl. No.: **29/626,345**
- (22) Filed: **Nov. 16, 2017**
- (51) **LOC (11) Cl.** **21-01**
- (52) **U.S. Cl.**
USPC **D21/574; D22/104**
- (58) **Field of Classification Search**
USPC D22/103, 104, 107, 108; D21/567, 570,
D21/572, 573, 574; D23/223, 225
CPC F41B 7/003; F41B 7/08; F41B 7/025
See application file for complete search history.

8,127,481 B2 *	3/2012	Rozum	F41A 17/00 42/70.01
D681,131 S *	4/2013	Su	D21/574
D687,506 S *	8/2013	Yigit	D22/104
D688,764 S *	8/2013	Yigit	D22/104
D726,275 S *	4/2015	Bandini	D22/103
D772,364 S *	11/2016	Kedairy	D22/104
D814,596 S *	4/2018	Curry	D22/108
D823,969 S *	7/2018	Beville	D22/104
D827,754 S *	9/2018	Tripp	D22/104

* cited by examiner

Primary Examiner — Robin V Webster

Assistant Examiner — Keith J Wilson

(74) *Attorney, Agent, or Firm* — C. G. Mersereau; DeWitt LLP

(57) **CLAIM**

The ornamental design for a toy gun, as shown and described.

DESCRIPTION

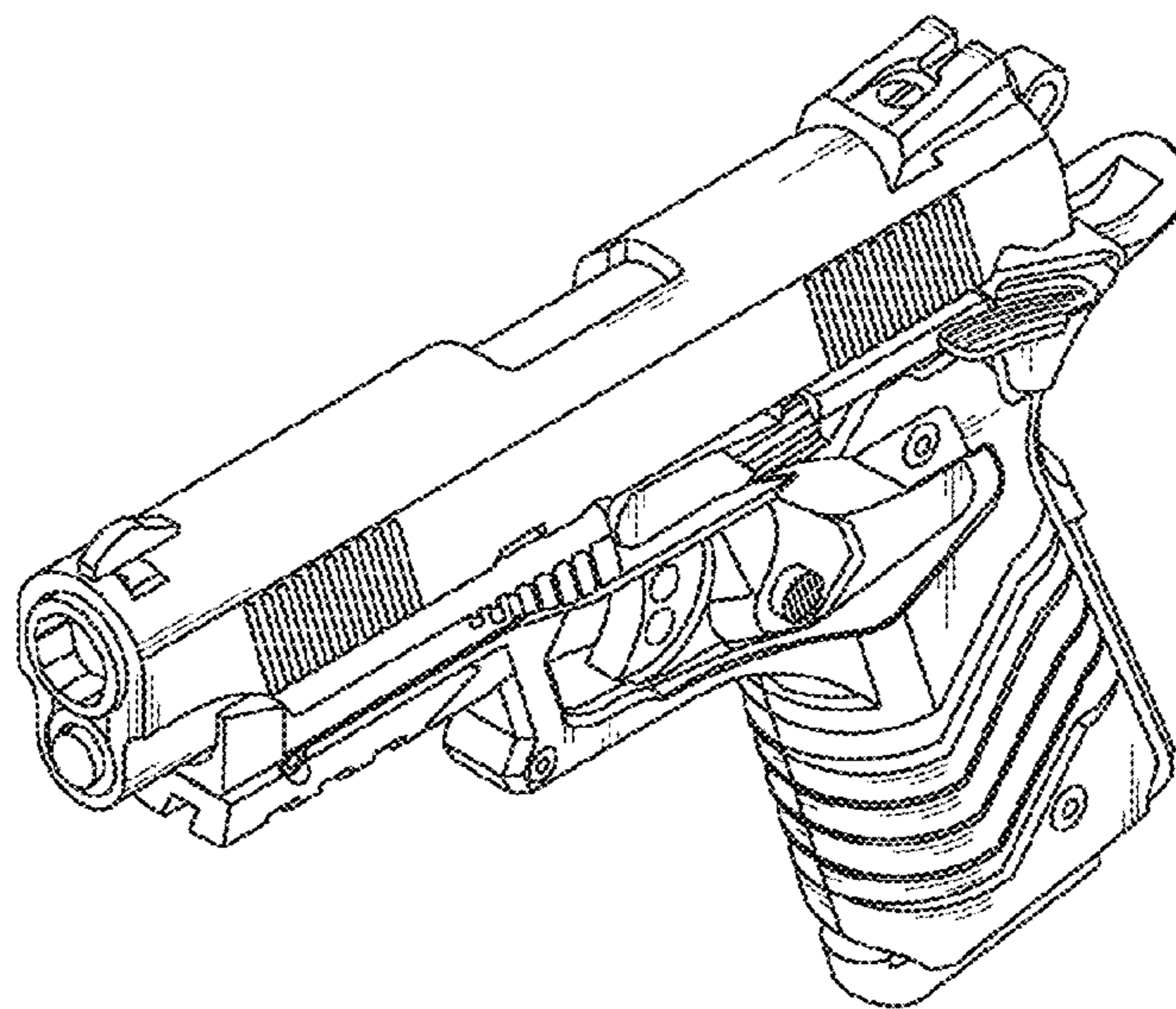
FIG. 1 is a perspective view of the toy gun;
 FIG. 2 is a front elevation view thereof;
 FIG. 3 is a rear elevation view thereof;
 FIG. 4 is a left side elevation view thereof;
 FIG. 5 is a right side elevation view thereof;
 FIG. 6 is a top plan view thereof; and,
 FIG. 7 is a bottom plan view thereof.

1 Claim, 7 Drawing Sheets

(56) **References Cited**

U.S. PATENT DOCUMENTS

D505,475 S *	5/2005	Salva	D22/104
7,318,294 B2 *	1/2008	Zimmermann	F41A 5/04 42/50
7,703,232 B1 *	4/2010	Johns	F41A 21/00 42/108
7,958,661 B2 *	6/2011	Strayer	F41A 35/06 42/49.01



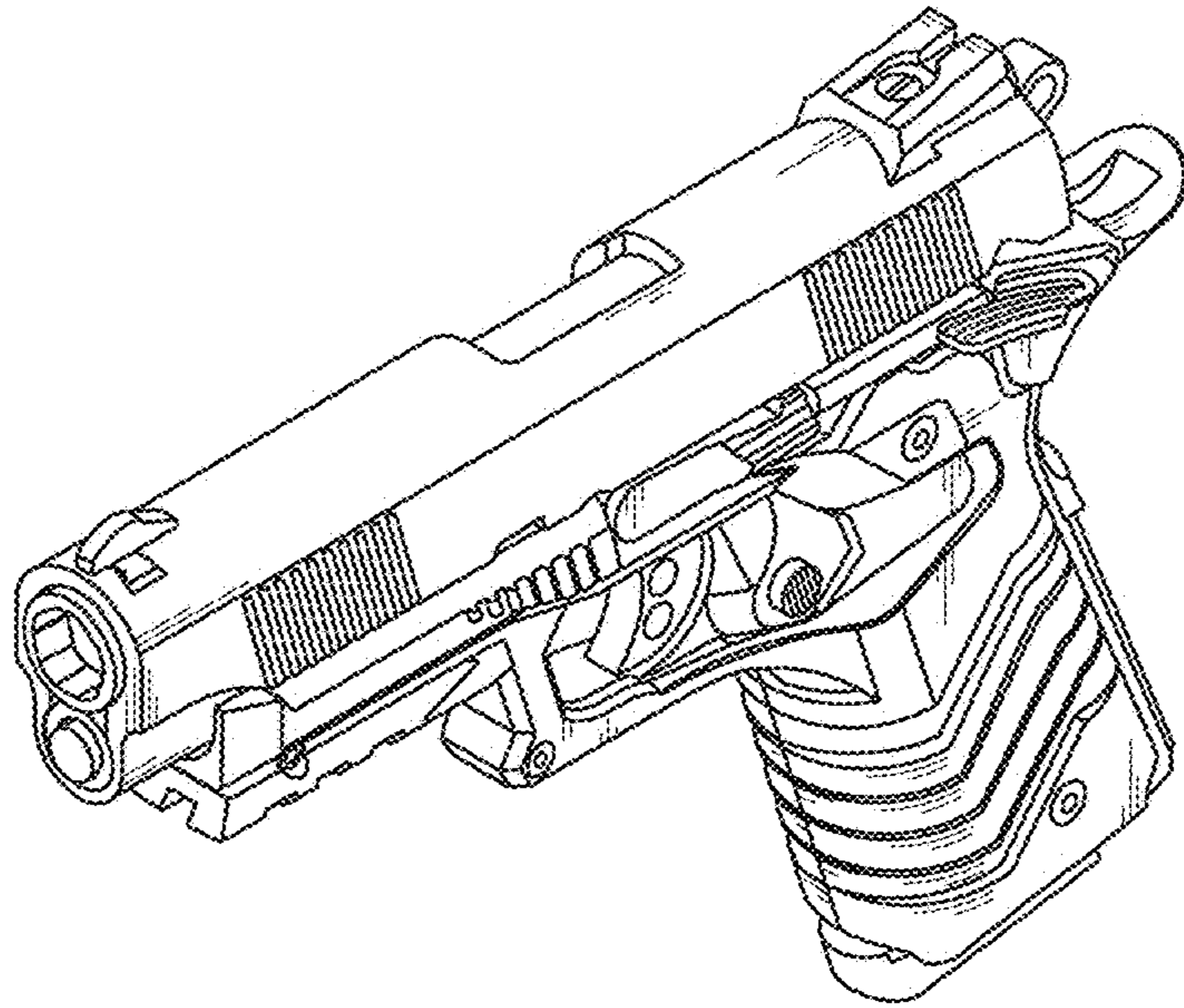


FIG. 1

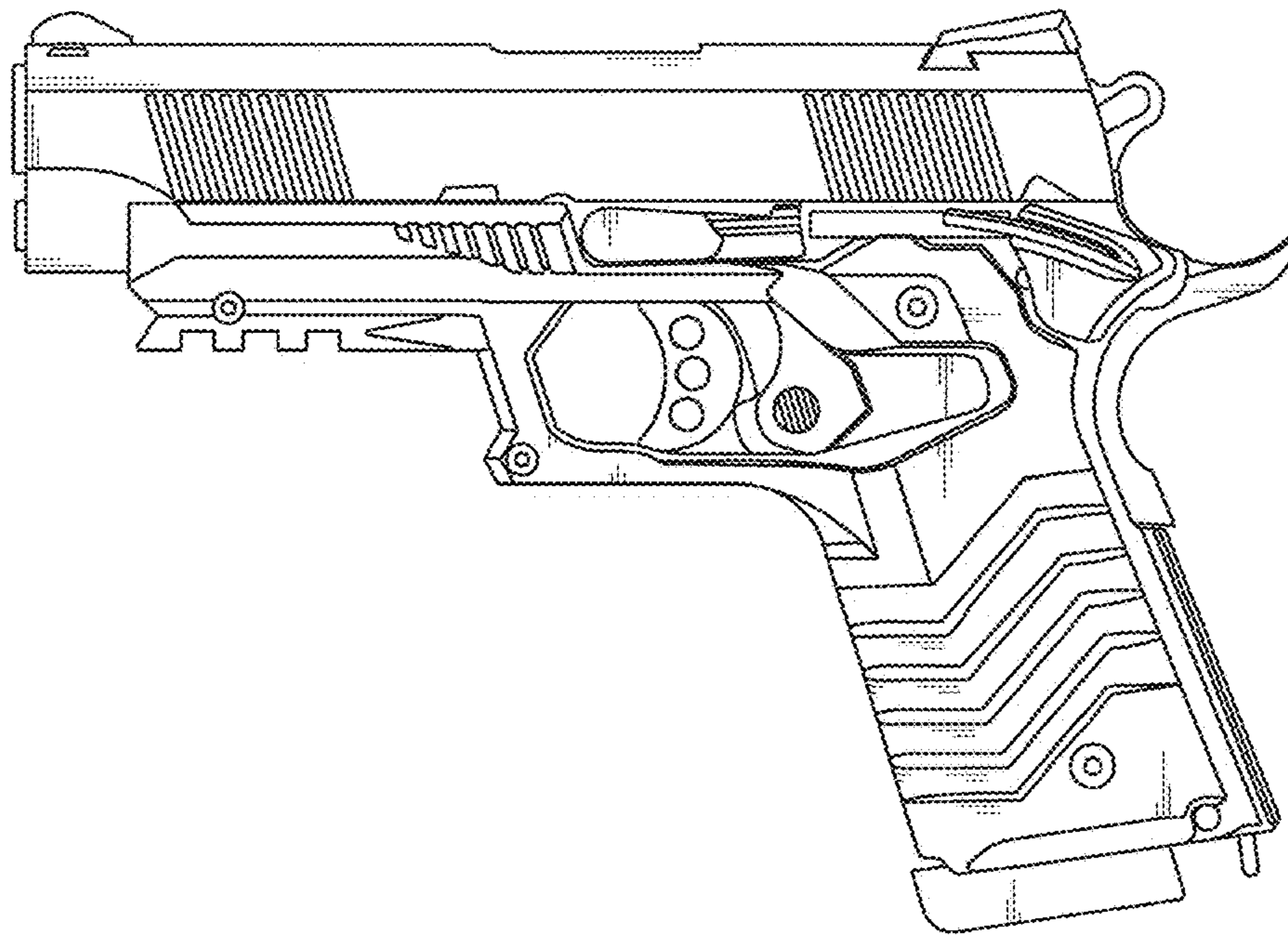


FIG.2

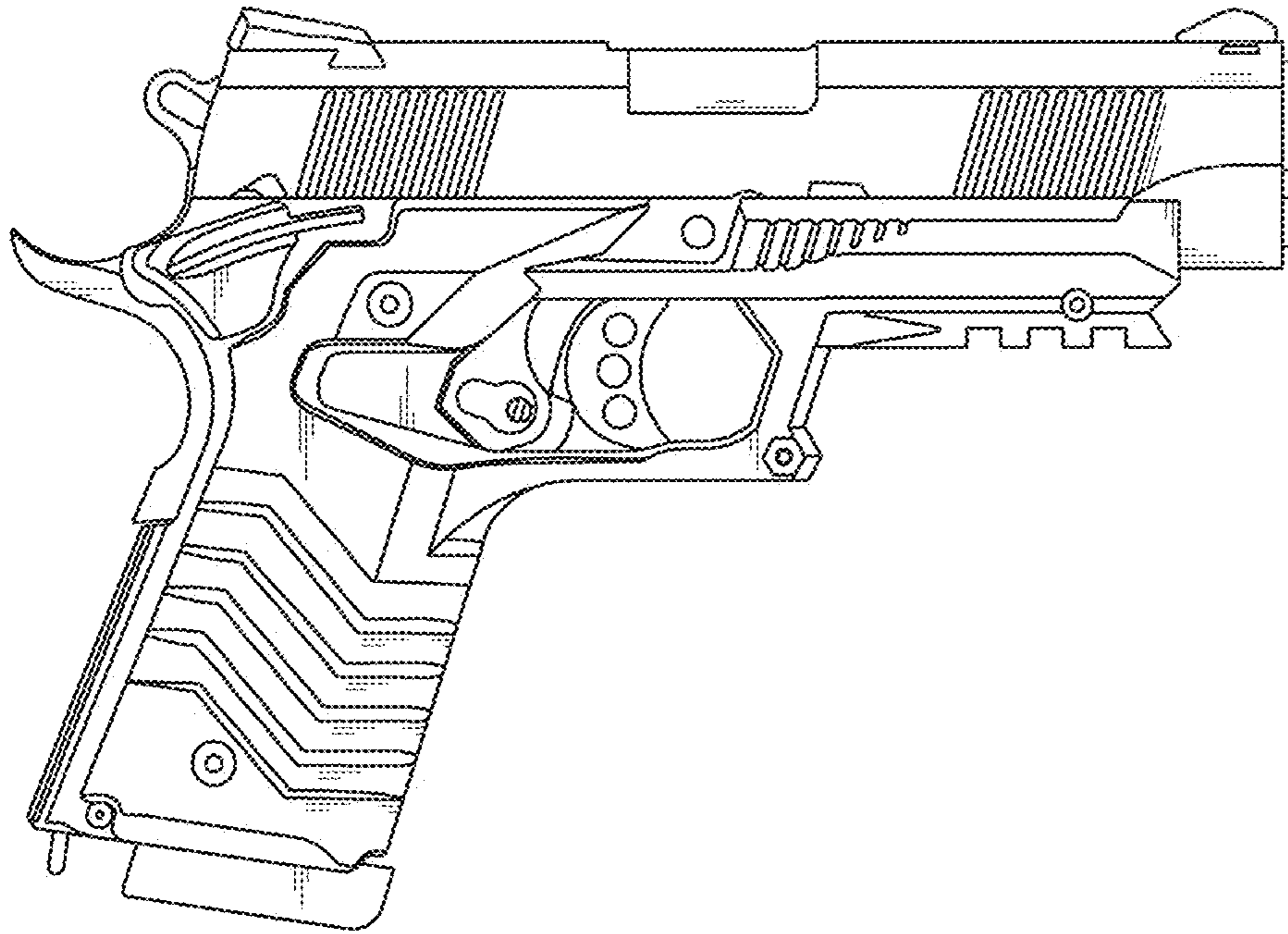


FIG.3

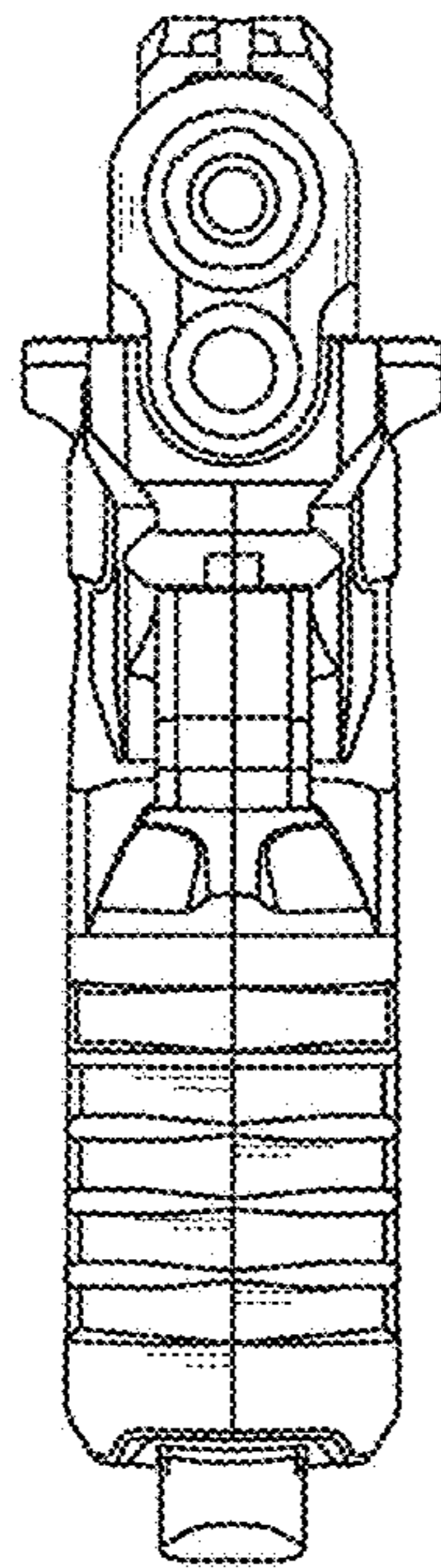


FIG.4

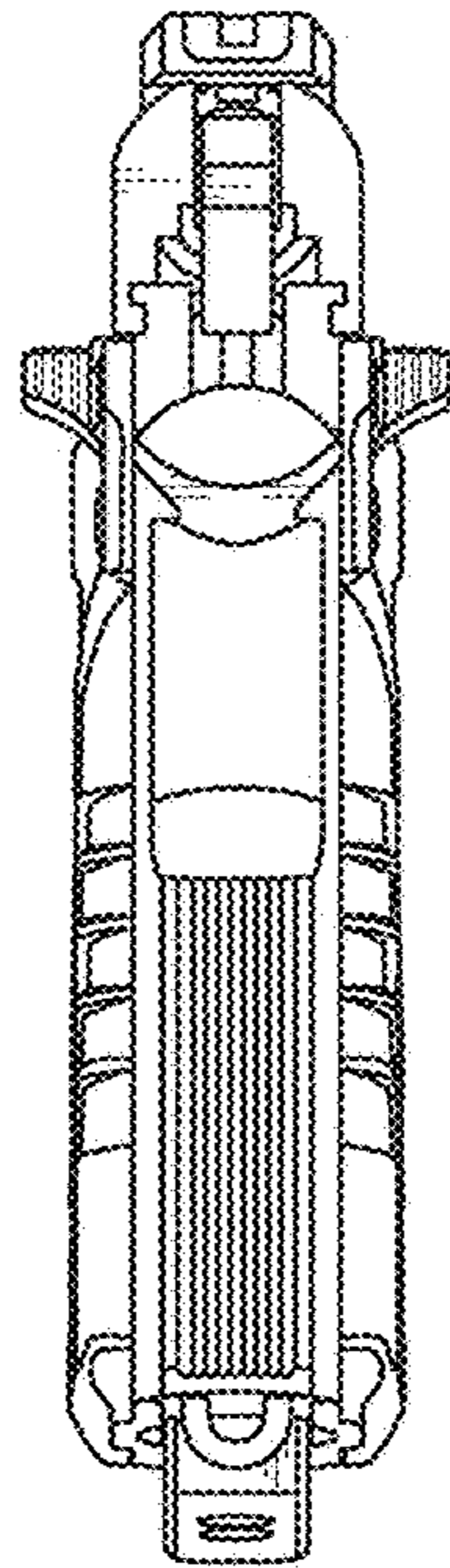


FIG.5

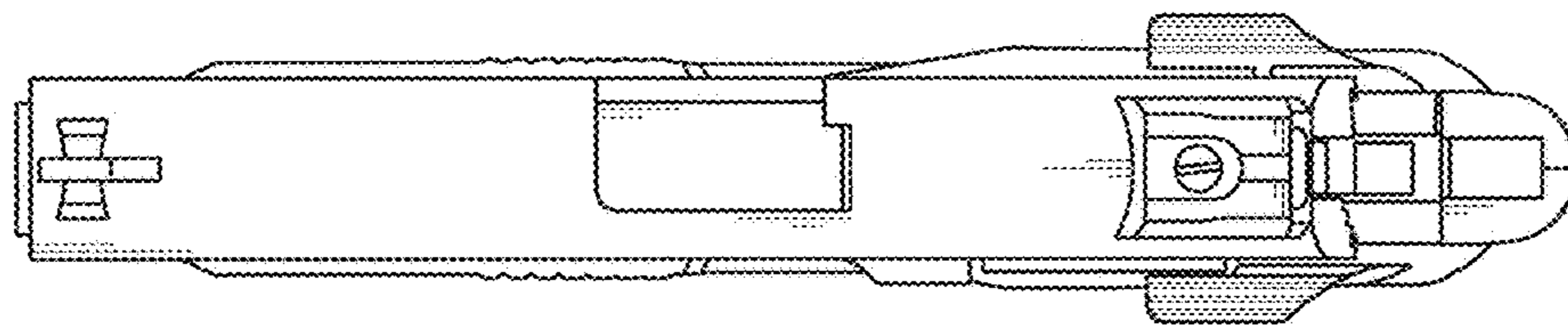


FIG.6

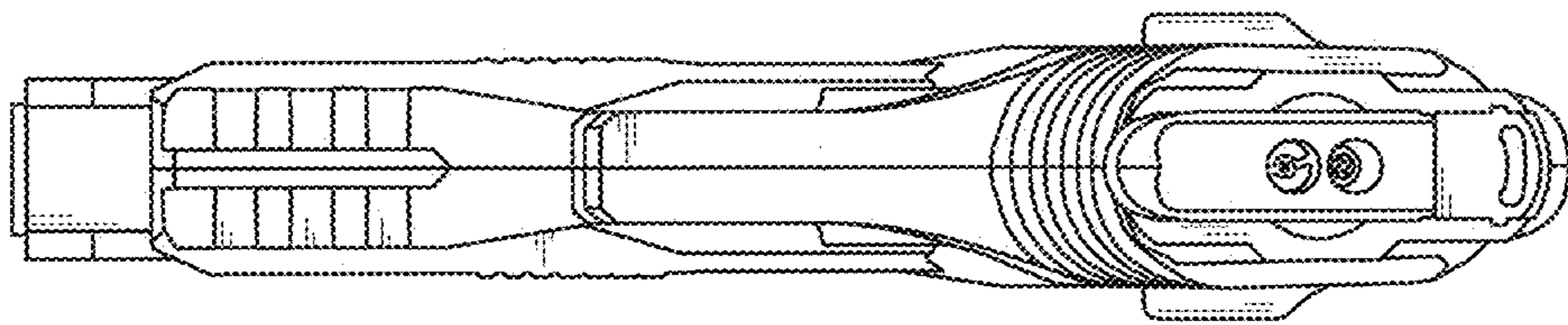


FIG.7