



US00D846036S

(12) **United States Design Patent** (10) **Patent No.:** **US D846,036 S**  
**Behar et al.** (45) **Date of Patent:** **\*\* Apr. 16, 2019**

(54) **BLOCK ASSEMBLY AND COMPONENTS THEREOF**

(71) Applicant: **Industrial Designers Society of America, Inc.**, Herndon, VA (US)  
(72) Inventors: **Yves Albert Behar**, San Francisco, CA (US); **Qin Li**, San Francisco, CA (US)  
(73) Assignee: **Industrial Designers Society of America, Inc.**, Herndon, VA (US)

(\*\*) Term: **15 Years**

(21) Appl. No.: **29/613,970**

(22) Filed: **Aug. 15, 2017**

(51) **LOC (11) Cl.** ..... **21-01**

(52) **U.S. Cl.**  
USPC ..... **D21/499**

(58) **Field of Classification Search**  
USPC ..... D21/468, 478, 479, 484–505; D19/59, D19/60, 51  
CPC ..... A63H 33/04; A63H 33/06; A63H 33/08; A63H 33/082; A63H 33/084; A63H 33/10; A63H 33/102; A63H 33/105; A63H 33/12; A63H 33/16; G09B 19/00  
See application file for complete search history.

(56) **References Cited**

**U.S. PATENT DOCUMENTS**

D229,954 S \* 1/1974 Daenen ..... D21/499  
D235,039 S \* 5/1975 Olsen ..... 273/160  
4,676,507 A \* 6/1987 Patterson ..... A63F 9/12  
273/160  
D412,541 S \* 8/1999 Tam ..... D21/478  
D413,361 S \* 8/1999 Silvey ..... D21/478  
D426,587 S \* 6/2000 Phillips ..... D21/499  
D431,373 S \* 10/2000 Zappitelli ..... D21/479  
D517,127 S \* 3/2006 Choi ..... D21/386

(Continued)

**OTHER PUBLICATIONS**

John Walsh, Urban Green Council, Hip to be Square: Behind the EBIE Award Trophy, <https://urbangreencouncil.org/content/news/hip-be-square-behind-ebie-award-trophy>, published May 23, 2014.

*Primary Examiner* — Cynthia M. Chin  
(74) *Attorney, Agent, or Firm* — Saidman DesignLaw Group, LLC

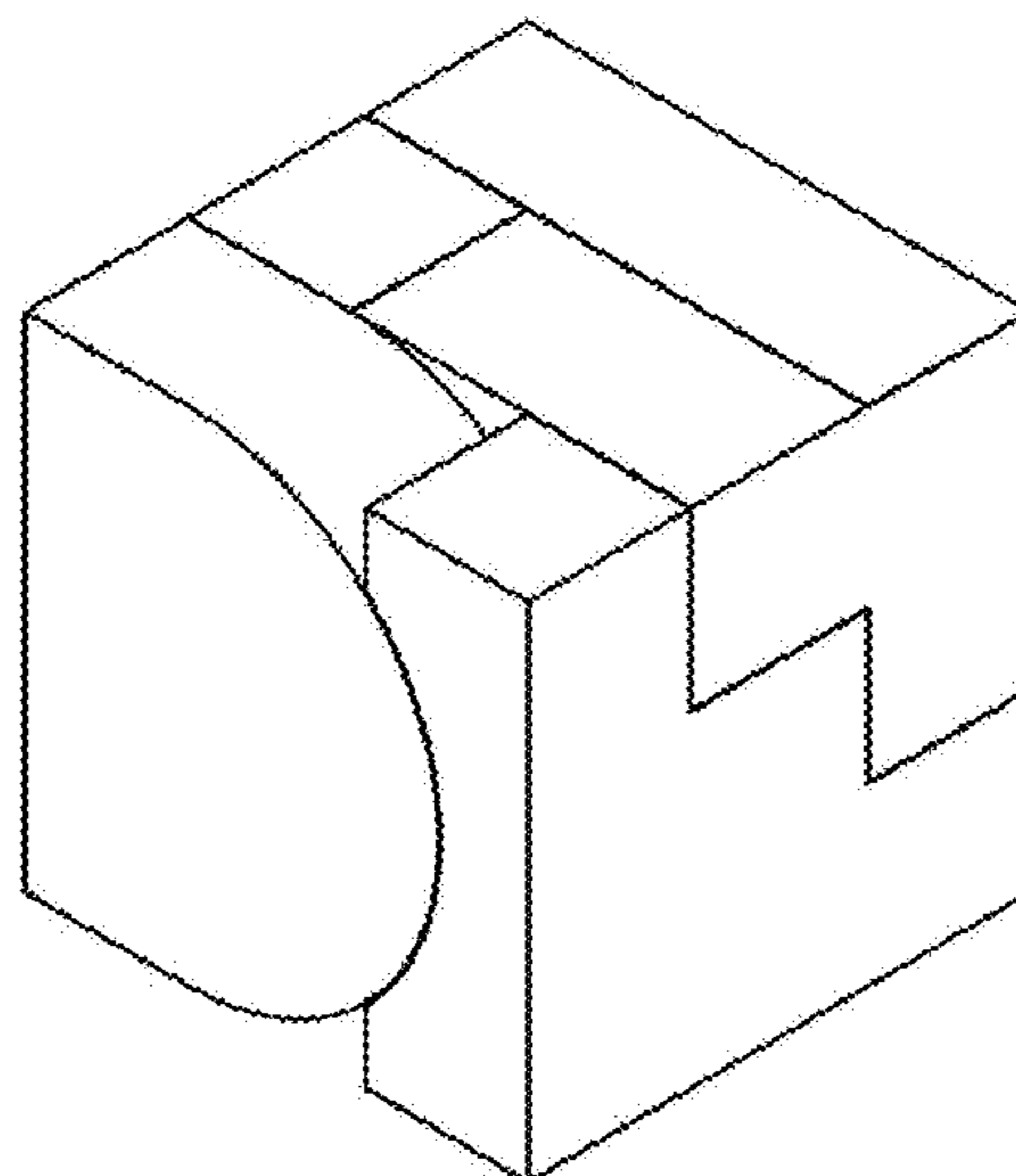
(57) **CLAIM**

The ornamental design for a block assembly and components thereof, as shown and described.

**DESCRIPTION**

FIG. 1 is a front, side perspective view of a block assembly showing our new design;  
FIG. 2 is another front, side perspective view thereof;  
FIG. 3 is a rear, side perspective view thereof;  
FIG. 4 is another rear, side perspective view thereof;  
FIG. 5 is a front view thereof;  
FIG. 6 is a rear view thereof;  
FIG. 7 is a left side view thereof;  
FIG. 8 is a right side view thereof;  
FIG. 9 is a top view thereof;  
FIG. 10 is a perspective view of a first component thereof;  
FIG. 11 is a perspective view of a second component thereof;  
FIG. 12 is a perspective view of a third component thereof;  
FIG. 13 is a perspective view of a fourth component thereof;  
FIG. 14 is a perspective view of a fifth component thereof;  
and,  
FIG. 15 shows front views of the components of FIGS. 10-14.  
The bottom views of the block assembly and components thereof form no part of the claimed design.

**1 Claim, 7 Drawing Sheets**



(56)

**References Cited**

U.S. PATENT DOCUMENTS

D559,921 S *	1/2008	Webster .....	D21/499
D560,256 S *	1/2008	Webster .....	D21/499
D560,257 S *	1/2008	Webster .....	D21/499
D568,418 S *	5/2008	Webster .....	D21/499
D596,242 S *	7/2009	Schwisow .....	D21/471
D662,151 S *	6/2012	Broom .....	D21/478
D739,896 S *	9/2015	Peker .....	D21/479
D801,443 S *	10/2017	Du Toit .....	D21/499

\* cited by examiner

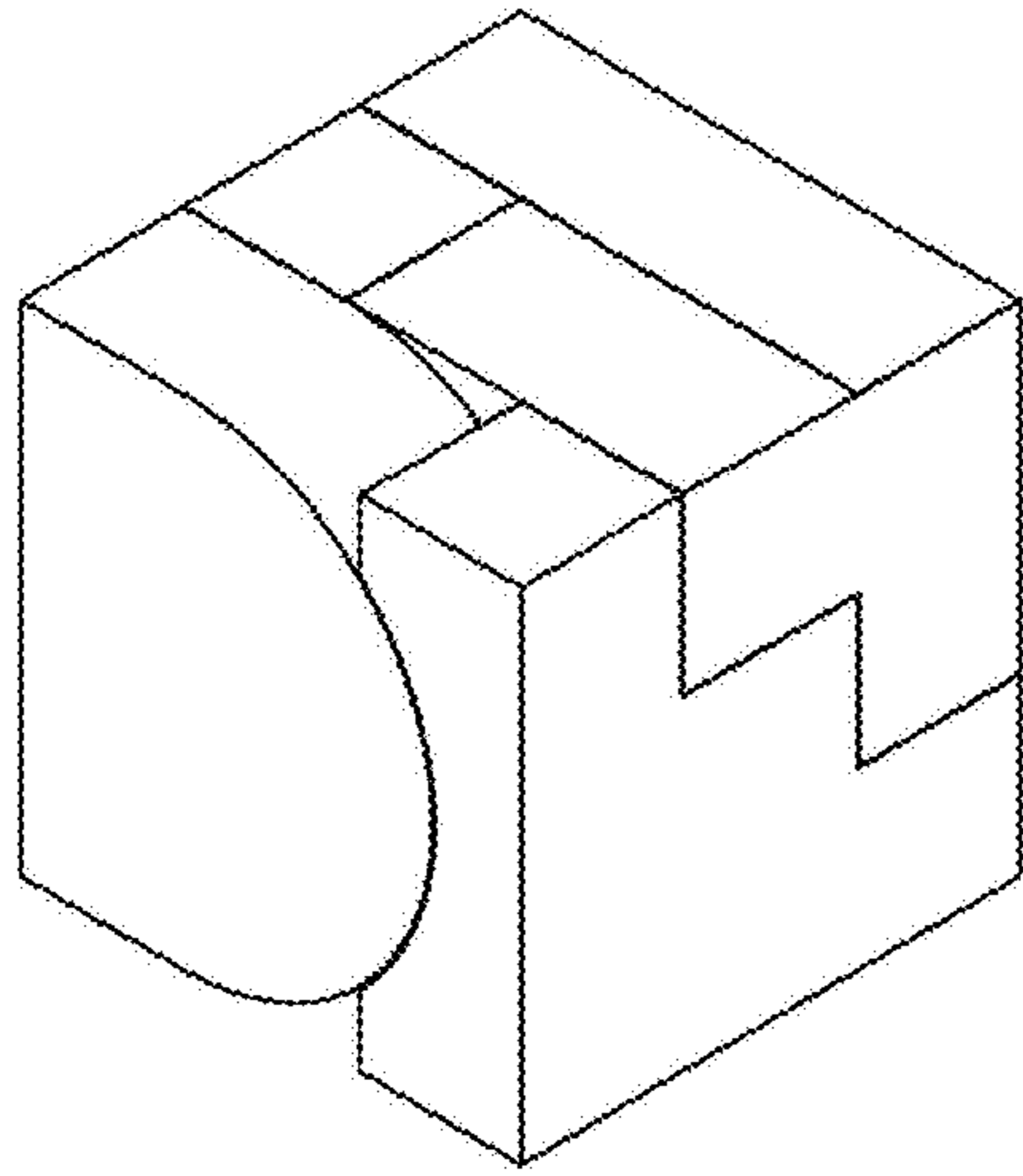


FIG. 1

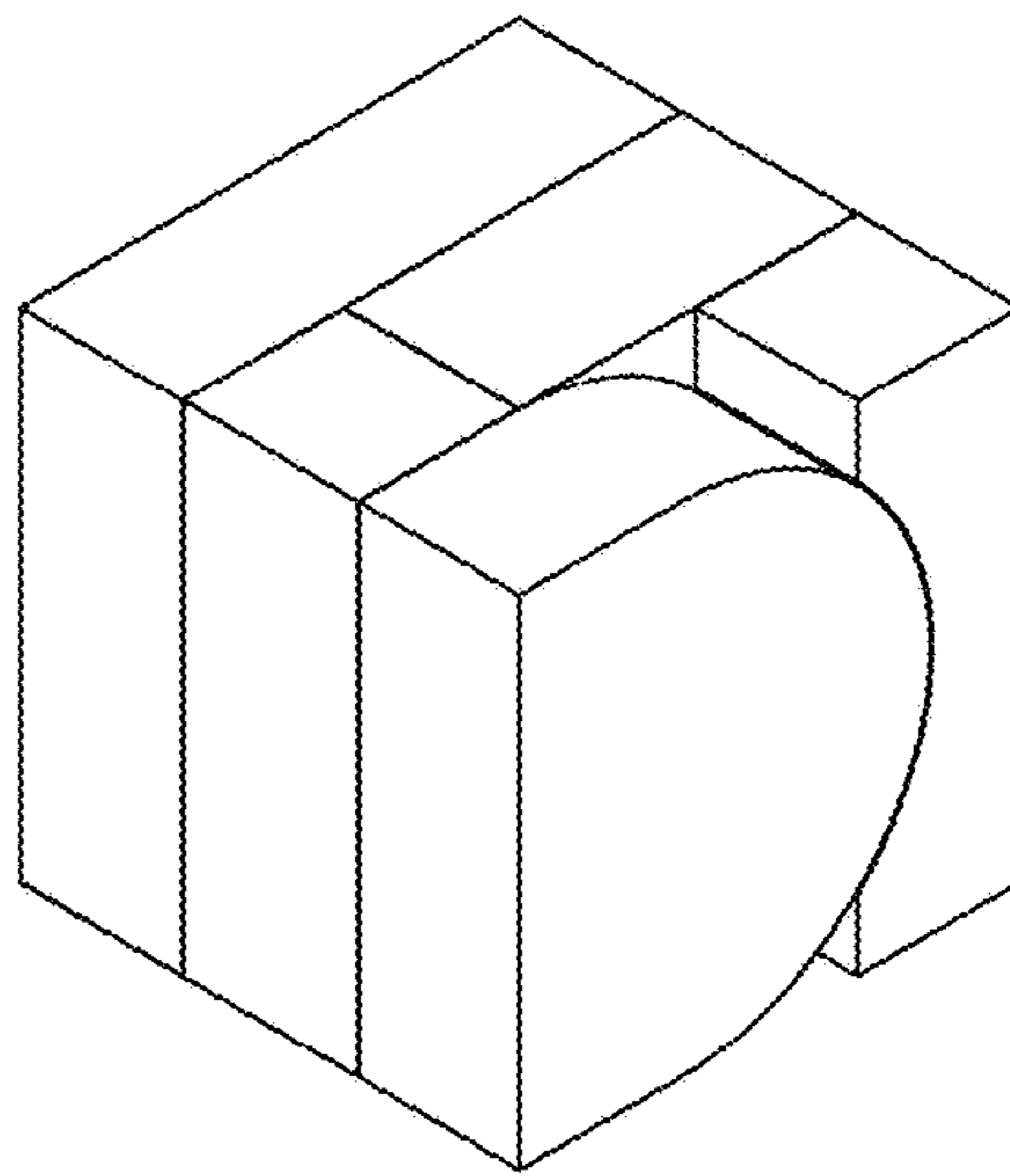
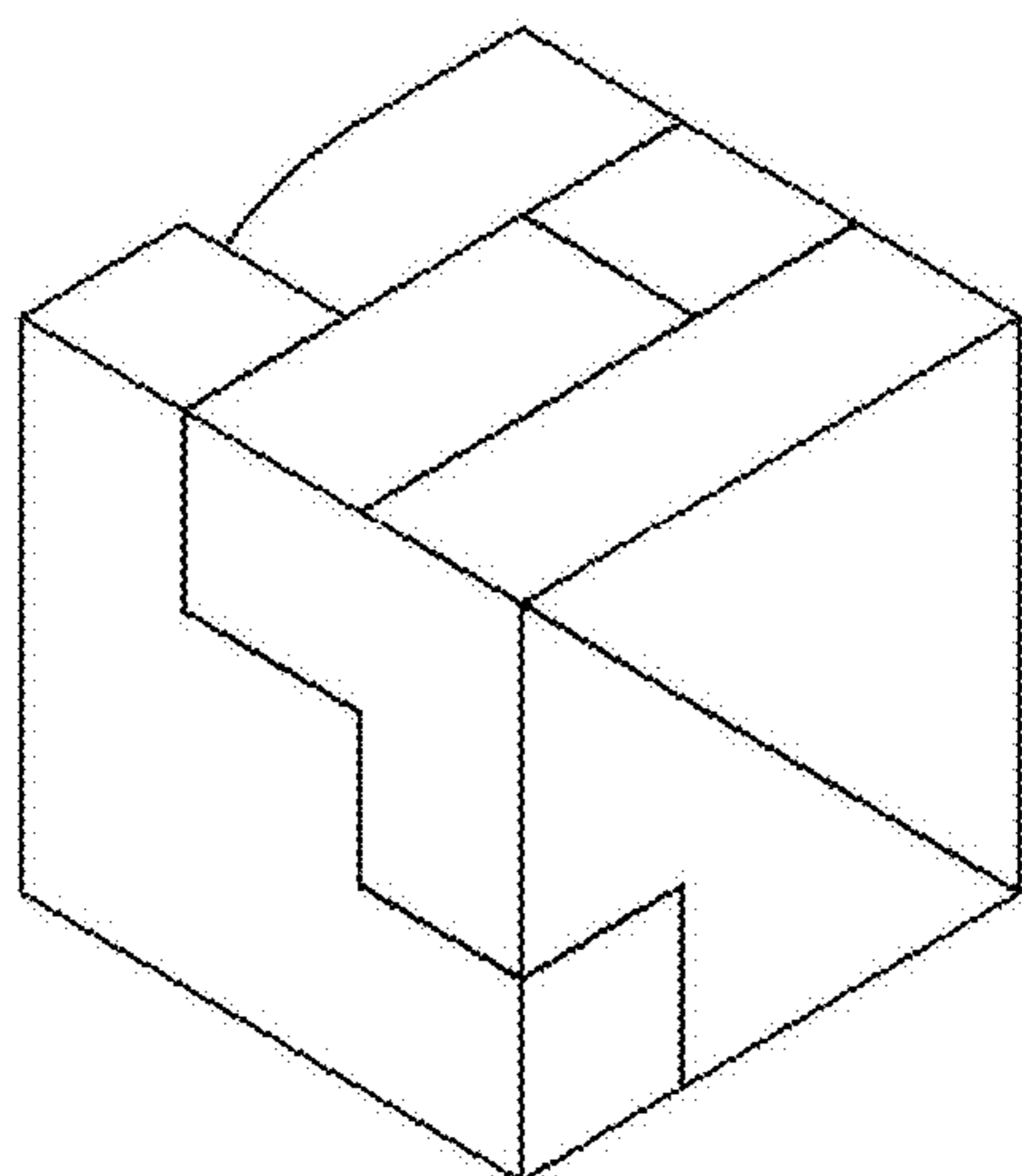
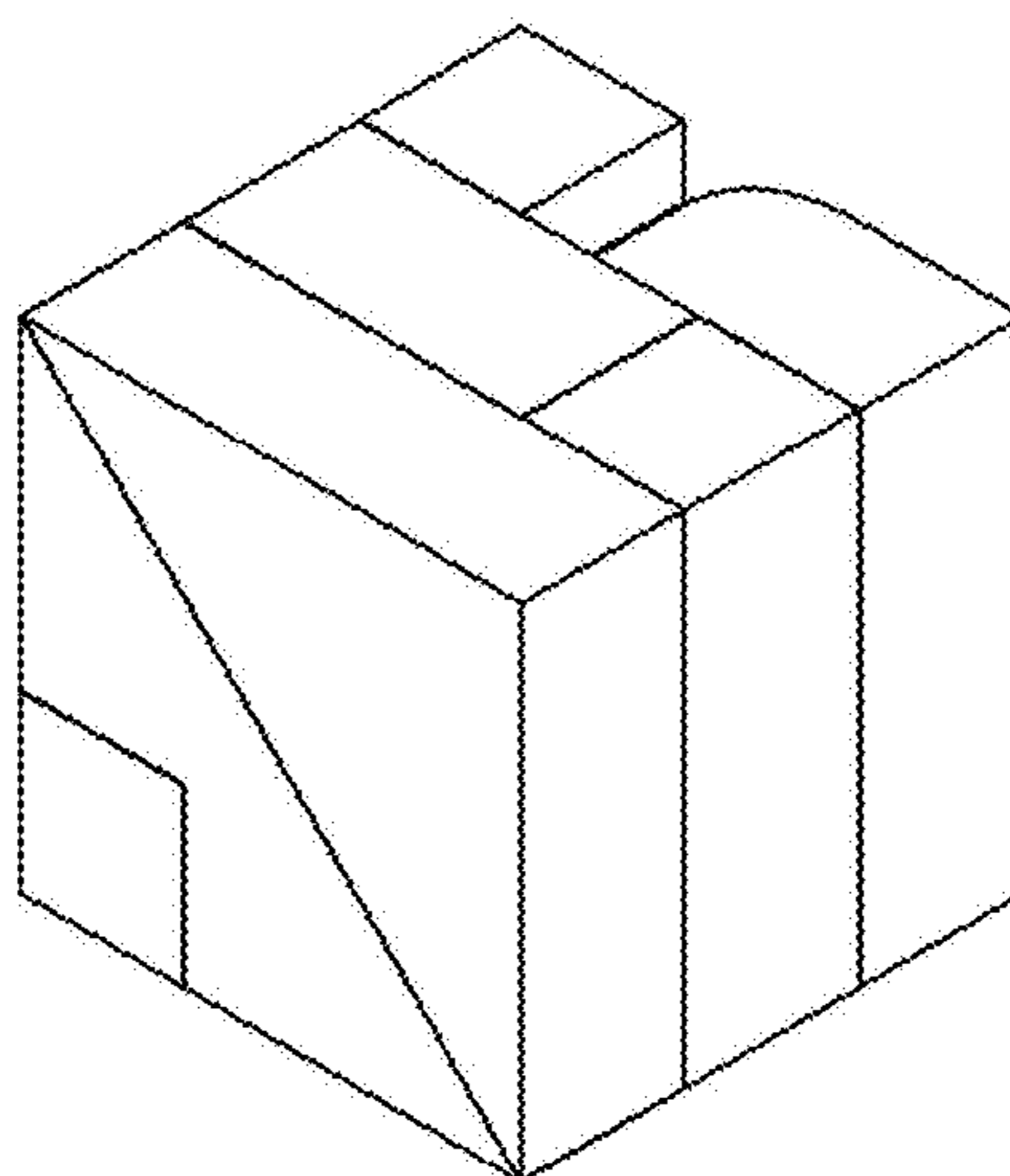


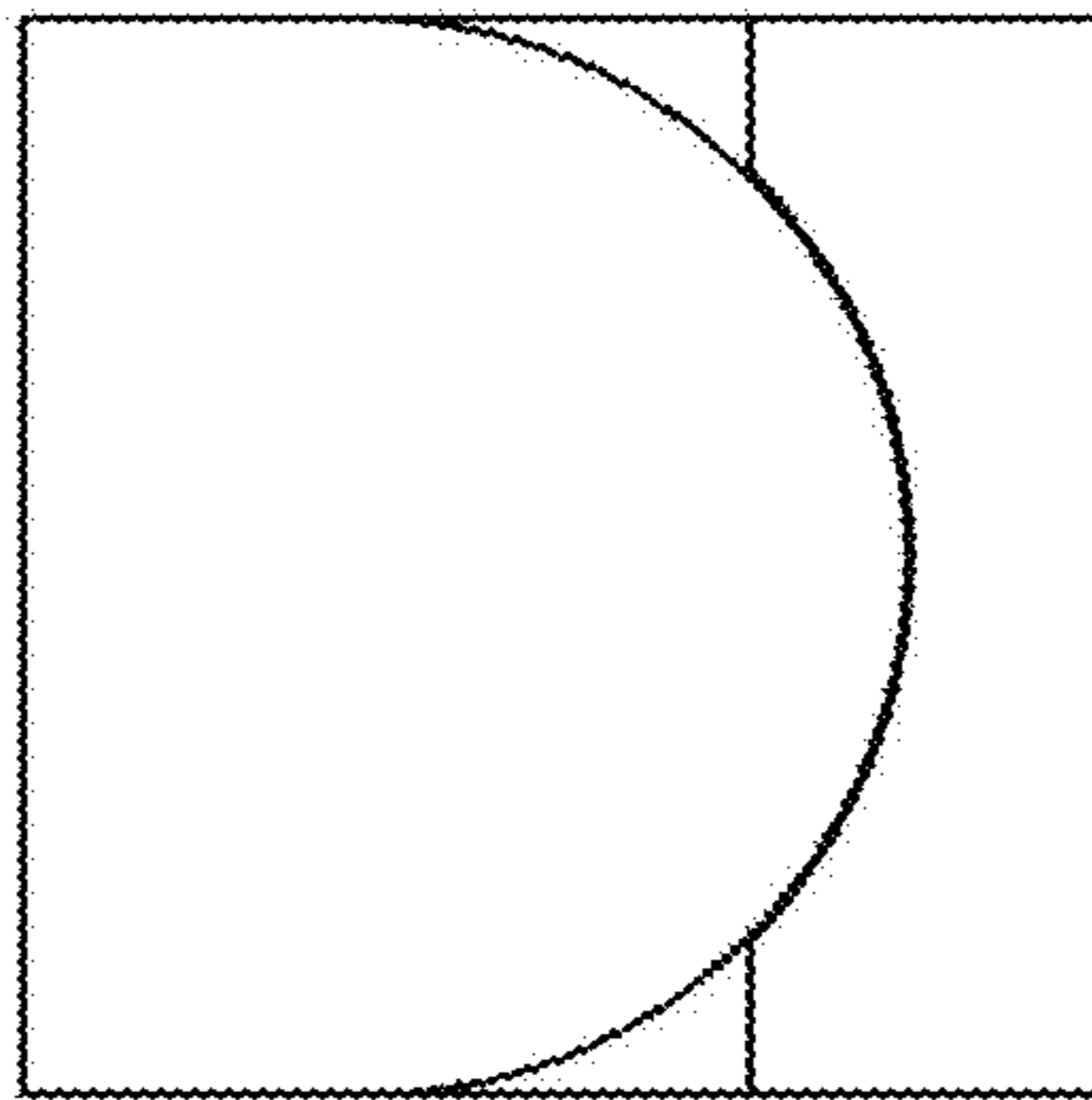
FIG. 2



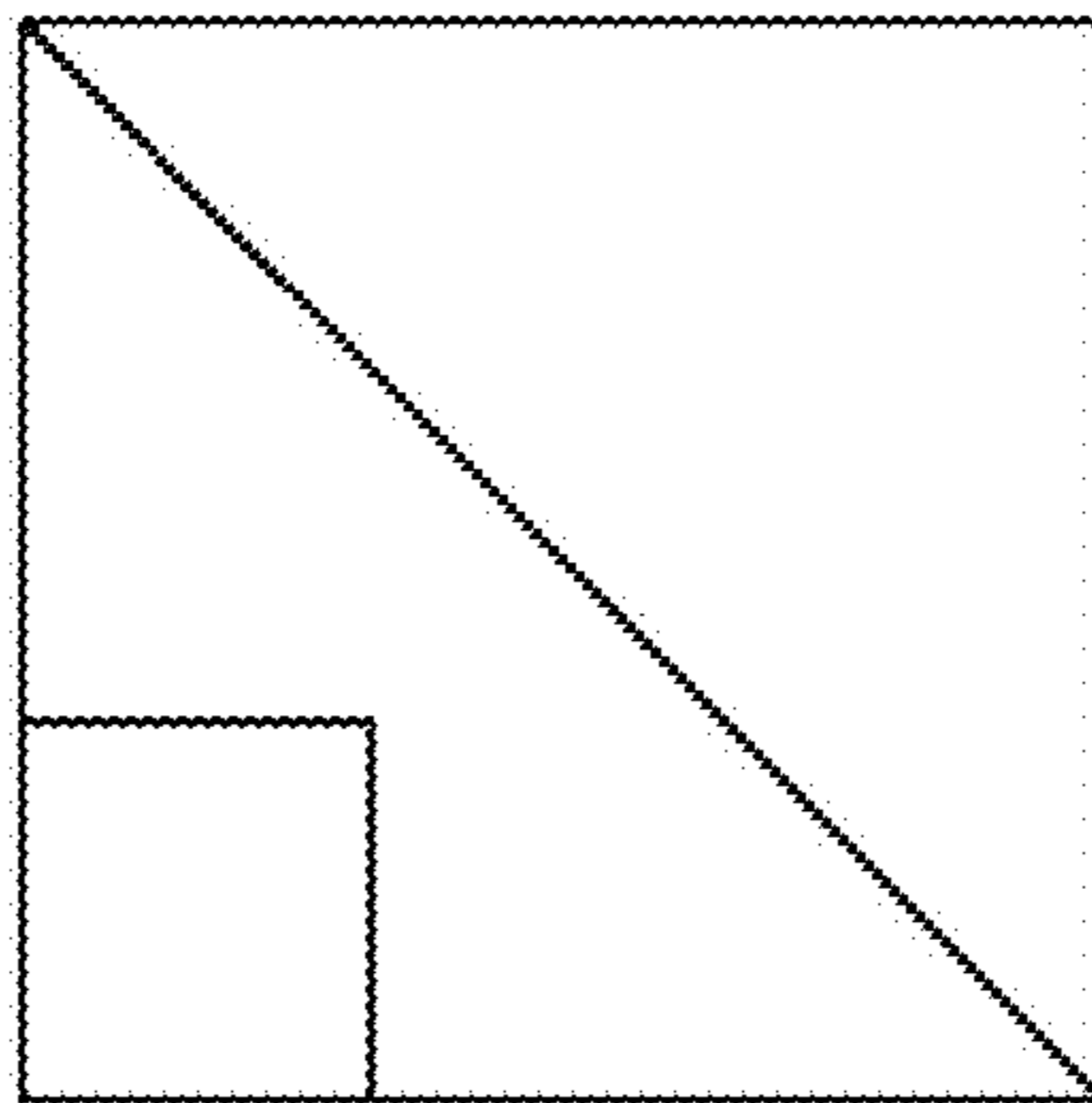
**FIG. 3**



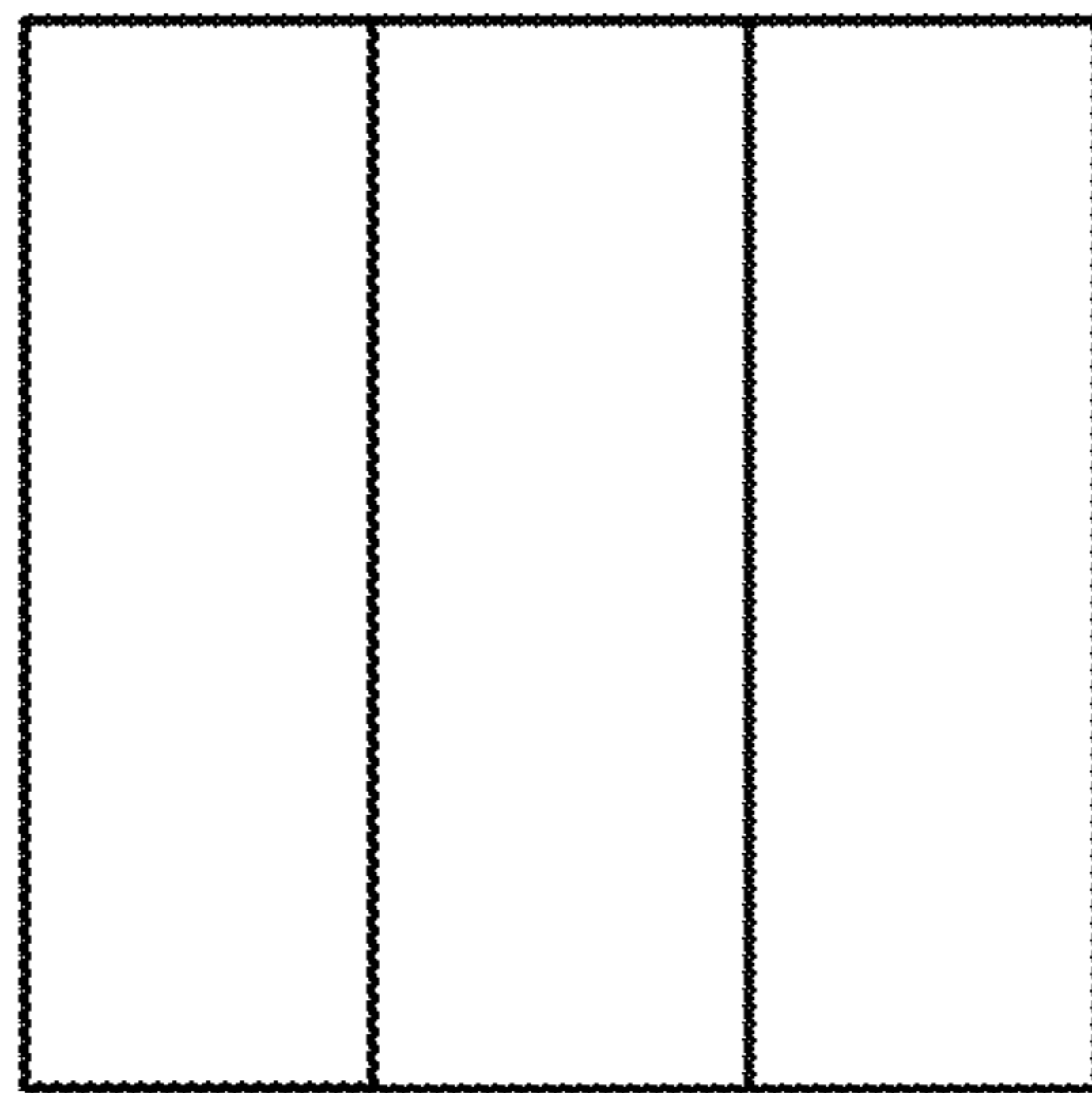
**FIG. 4**



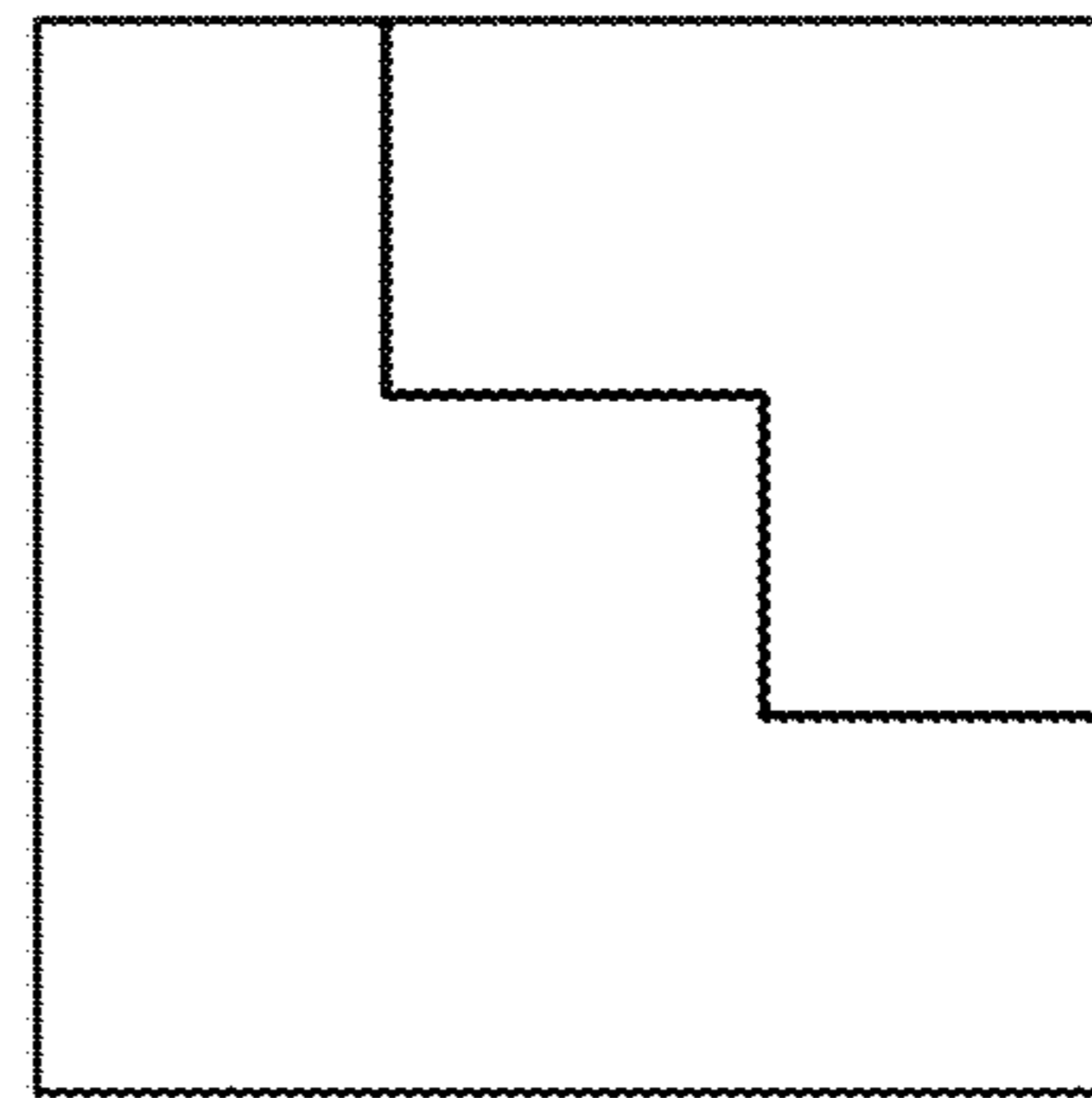
**FIG. 5**



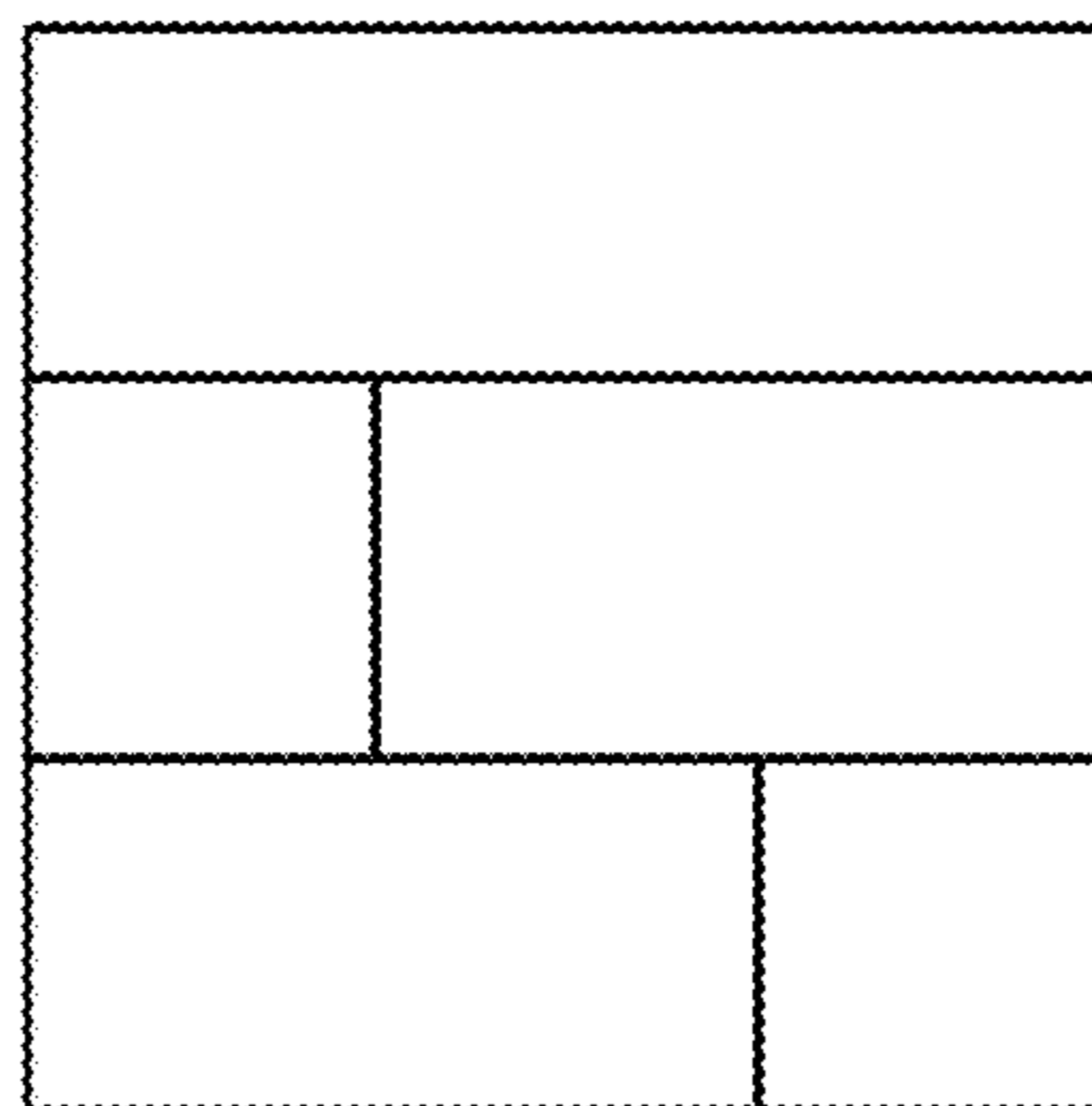
**FIG. 6**



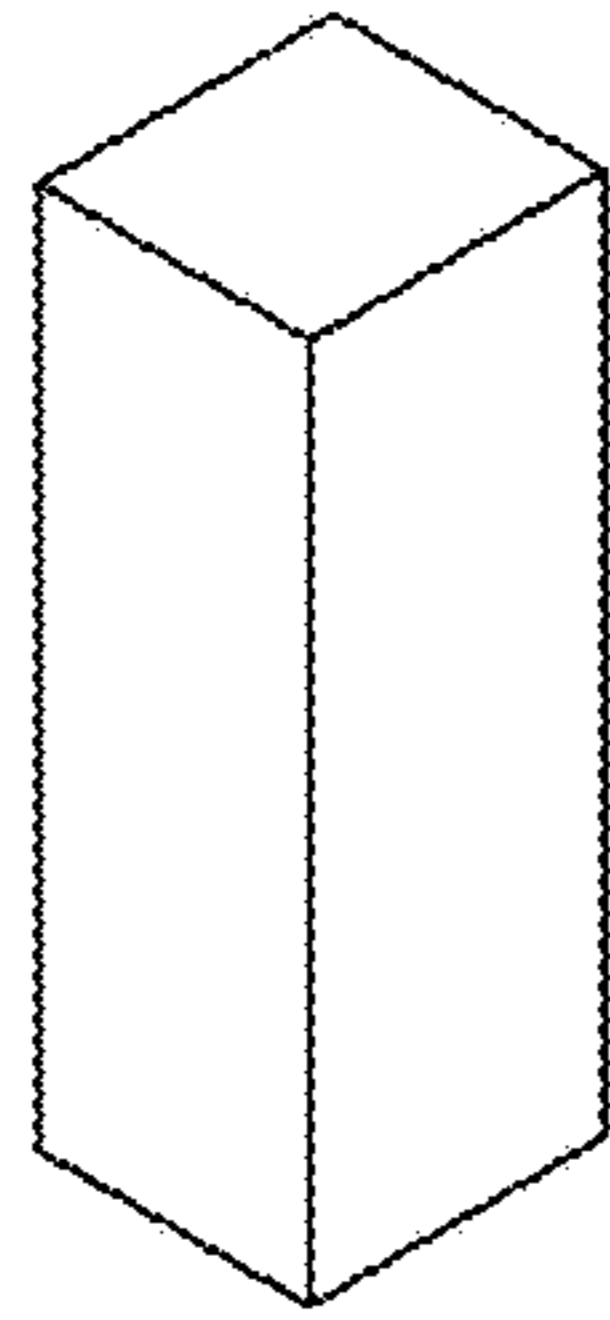
**FIG. 7**



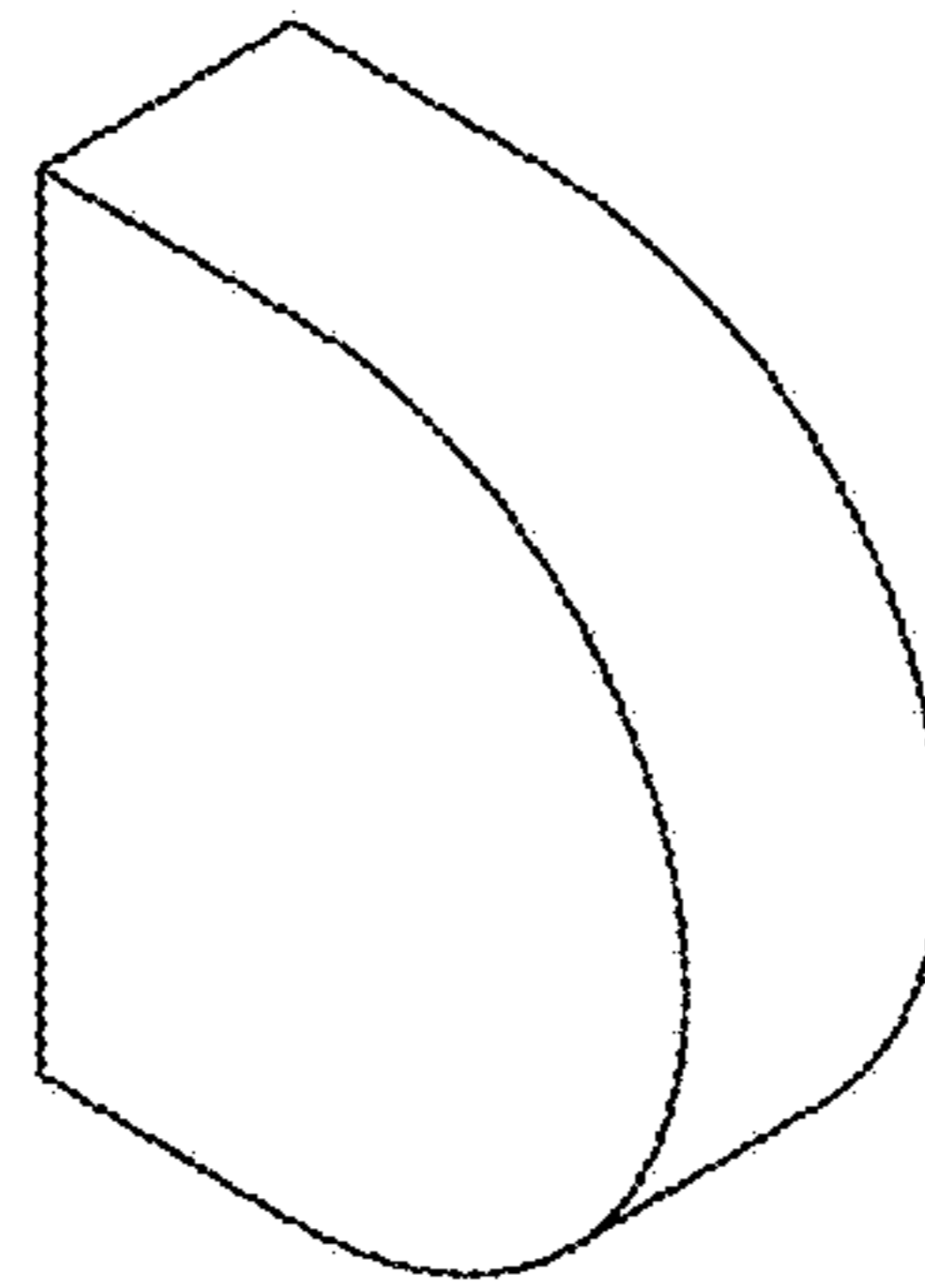
**FIG. 8**



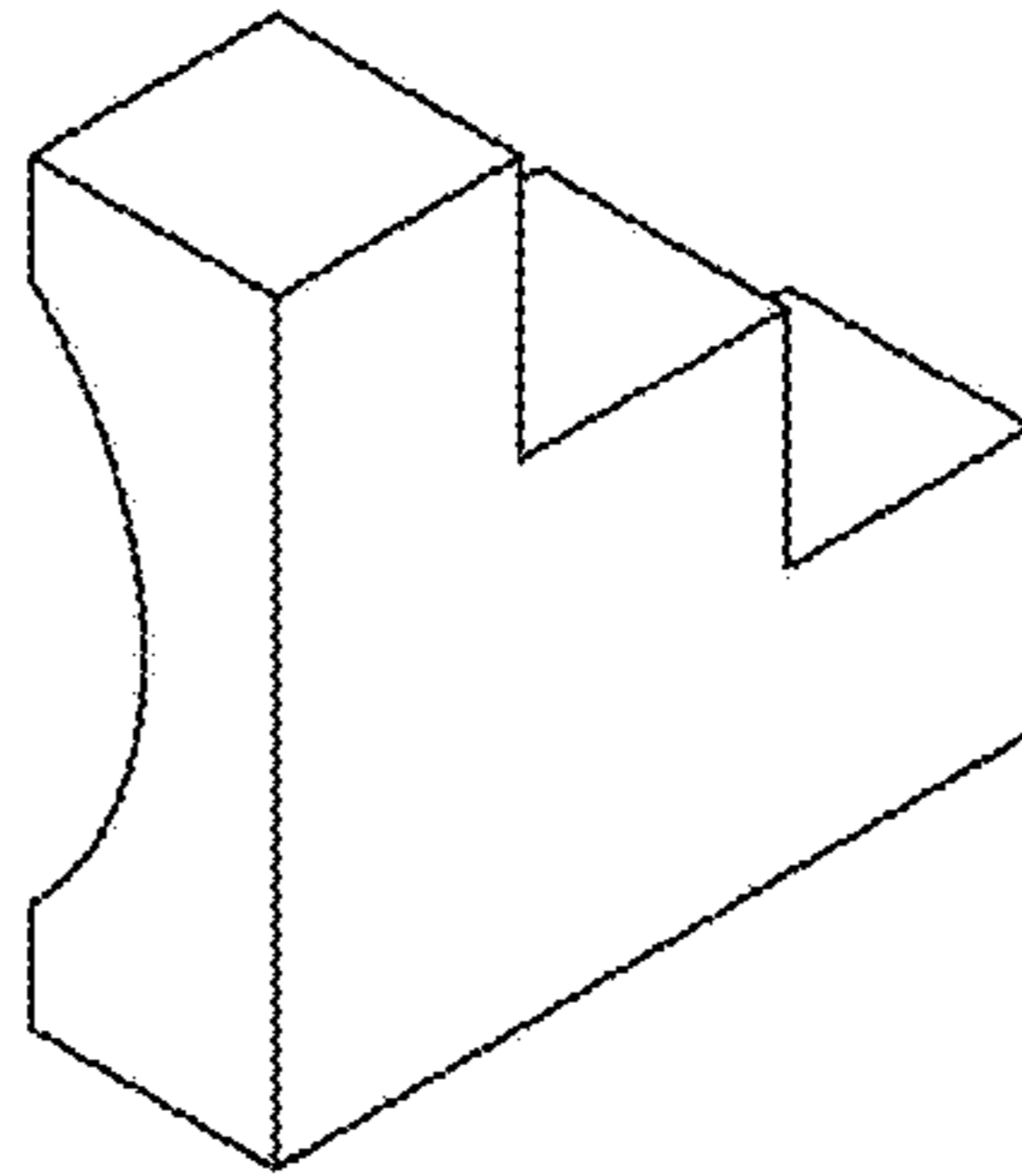
**FIG. 9**



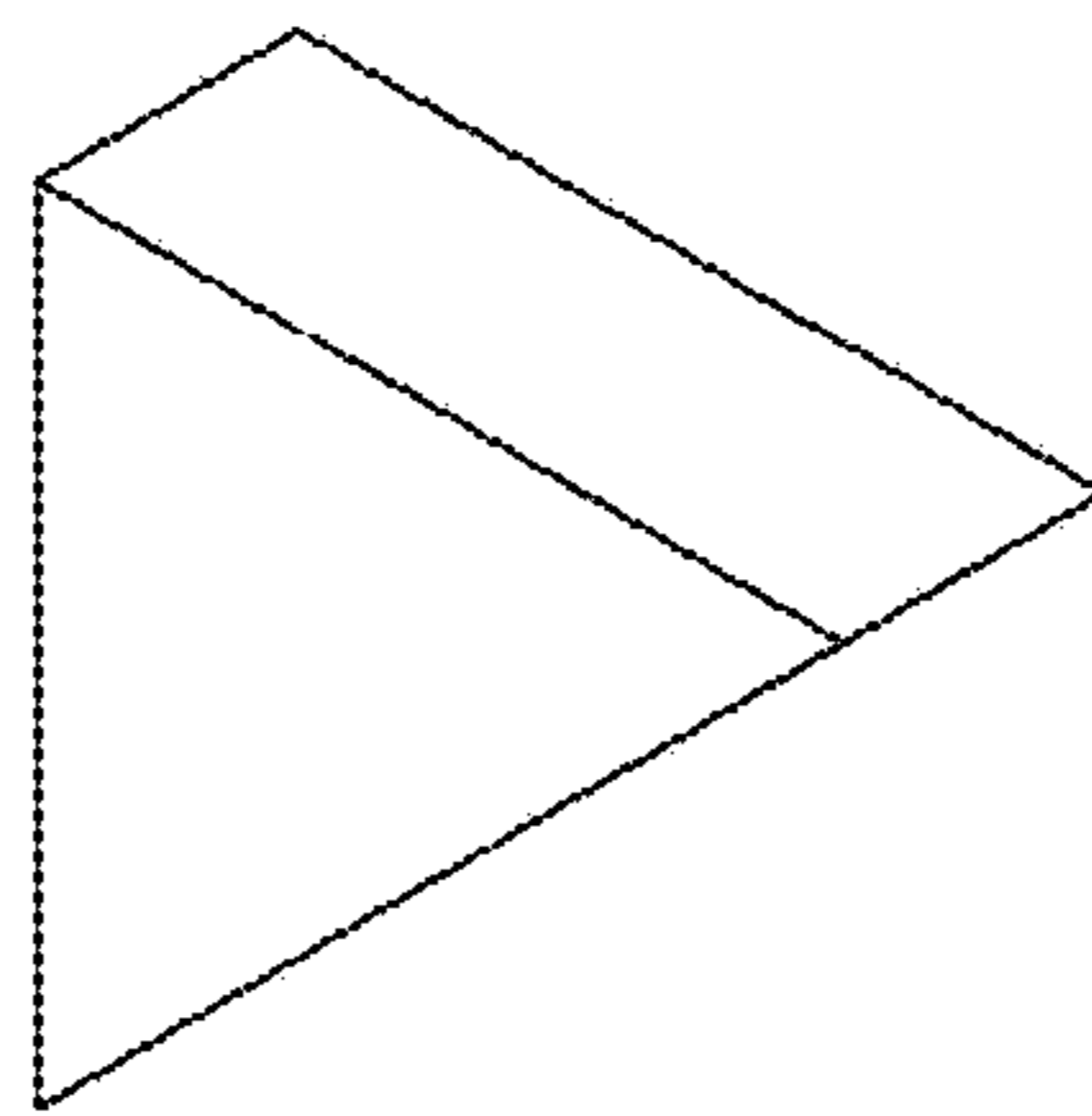
**FIG. 10**



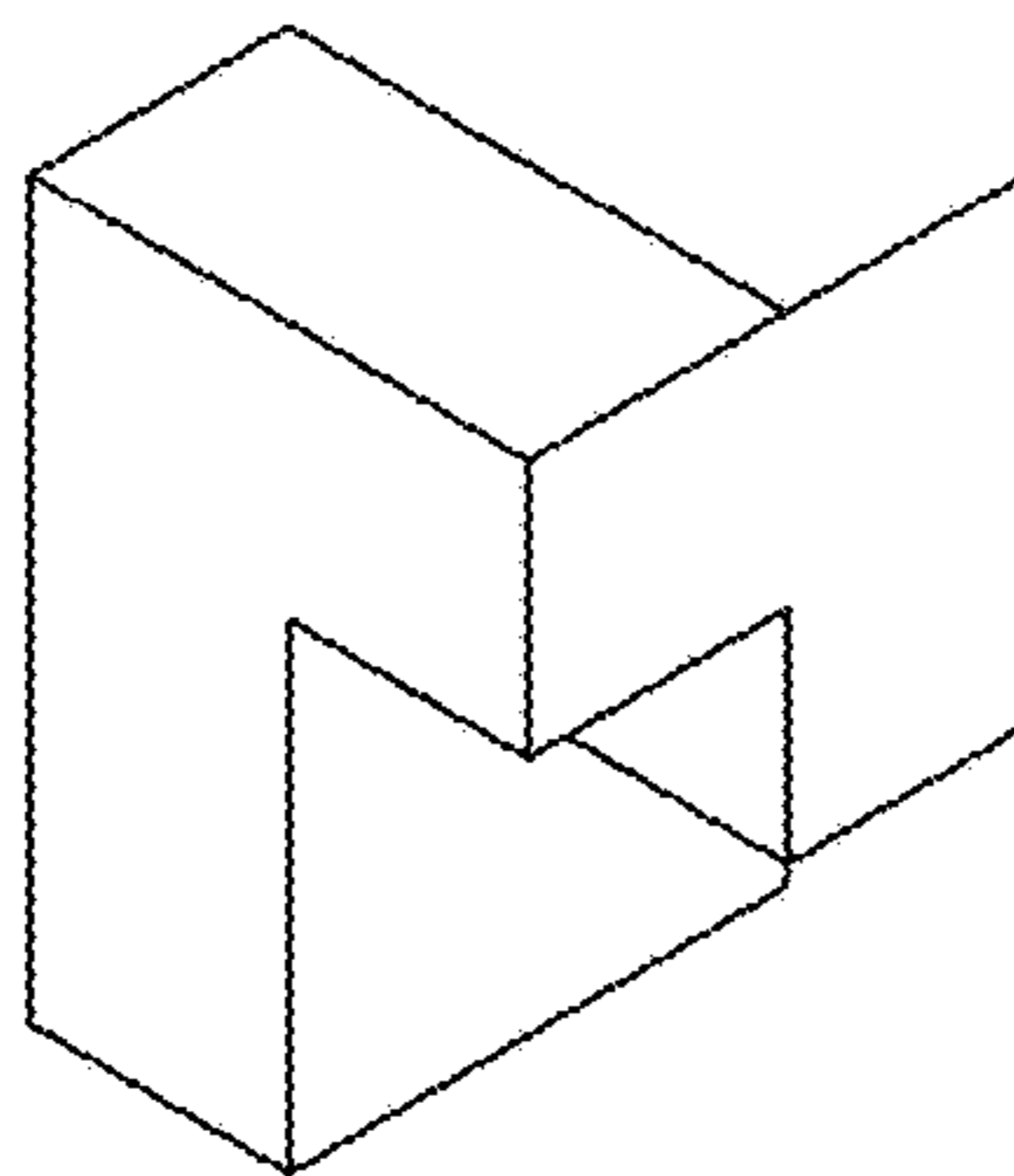
**FIG. 11**



**FIG. 12**



**FIG. 13**



**FIG. 14**



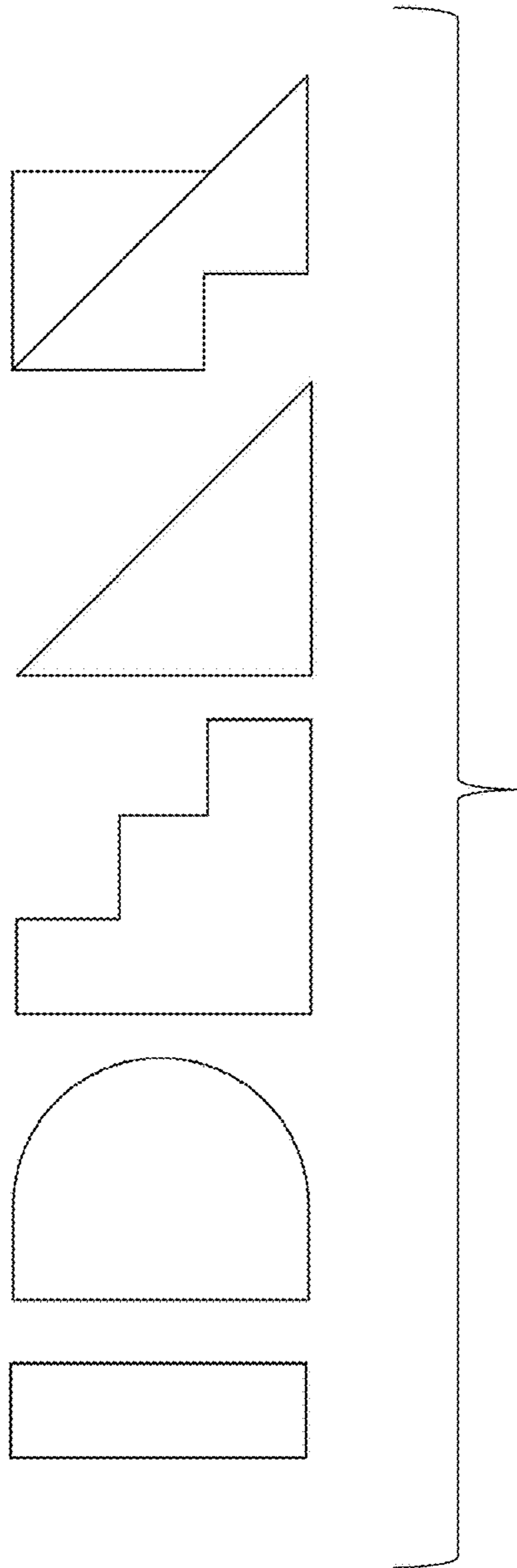


FIG. 15