



US00D846035S

(12) **United States Design Patent** (10) **Patent No.:** **US D846,035 S**  
**Kahl** (45) **Date of Patent:** **\*\* Apr. 16, 2019**

(54) **TOY ELEMENT**  
(71) Applicant: **LEGO A/S**, Billund (DK)  
(72) Inventor: **Sven Robin Kahl**, Billund (DK)  
(73) Assignee: **LEGO A/S**, Billund (DK)  
(\*\*) Term: **15 Years**  
(21) Appl. No.: **29/613,574**  
(22) Filed: **Aug. 11, 2017**

D252,978 S 9/1979 Bayly  
D252,979 S 9/1979 Bayly  
D252,980 S 9/1979 Bayly  
D252,981 S 9/1979 Fenton  
4,205,482 A 6/1980 Christiansen et al.  
D282,090 S 1/1986 Takahashi  
D287,519 S 12/1986 Takahashi  
4,744,780 A 5/1988 Volpe  
D321,648 S 11/1991 Ricci  
D324,084 S 2/1992 Knudsen  
D353,851 S 12/1994 Glynn  
D354,319 S 1/1995 Wilson  
D365,756 S 1/1996 Rask et al.  
D378,837 S 4/1997 Olsen et al.  
5,683,283 A 11/1997 Glynn  
D389,408 S 1/1998 Rask et al.  
D394,680 S \* 5/1998 Andersen ..... D21/495

**Related U.S. Application Data**

(62) Division of application No. 35/500,881, filed on Dec. 30, 2015 (U.S. filing date under 35 U.S.C. 384), and having an international filing date of Dec. 30, 2015, now Pat. No. Des. 806,181.

**Foreign Application Priority Data**

Dec. 30, 2015 (WO) ..... DM/090221

(51) **LOC (11) Cl.** ..... **21-01**  
(52) **U.S. Cl.**

USPC ..... **D21/495**

(58) **Field of Classification Search**  
USPC ..... D21/484, 486, 491, 494-495, 576, 585,  
D21/621, 658-659

See application file for complete search history.

**References Cited**

**U.S. PATENT DOCUMENTS**

3,005,282 A 10/1961 Christiansen  
3,034,254 A 5/1962 Christiansen  
3,597,875 A 8/1971 Christiansen  
D252,908 S 9/1979 Bayly  
D252,909 S 9/1979 Bayly  
D252,910 S 9/1979 Bayly  
D252,977 S 9/1979 Bayly

(Continued)

**OTHER PUBLICATIONS**

USPTO's Requirement for Restriction/Election with references, issued in corresponding U.S. Appl. No. 35/500,881, filed Apr. 14, 2017.

*Primary Examiner* — George D. Kirschbaum  
(74) *Attorney, Agent, or Firm* — Day Pitney LLP

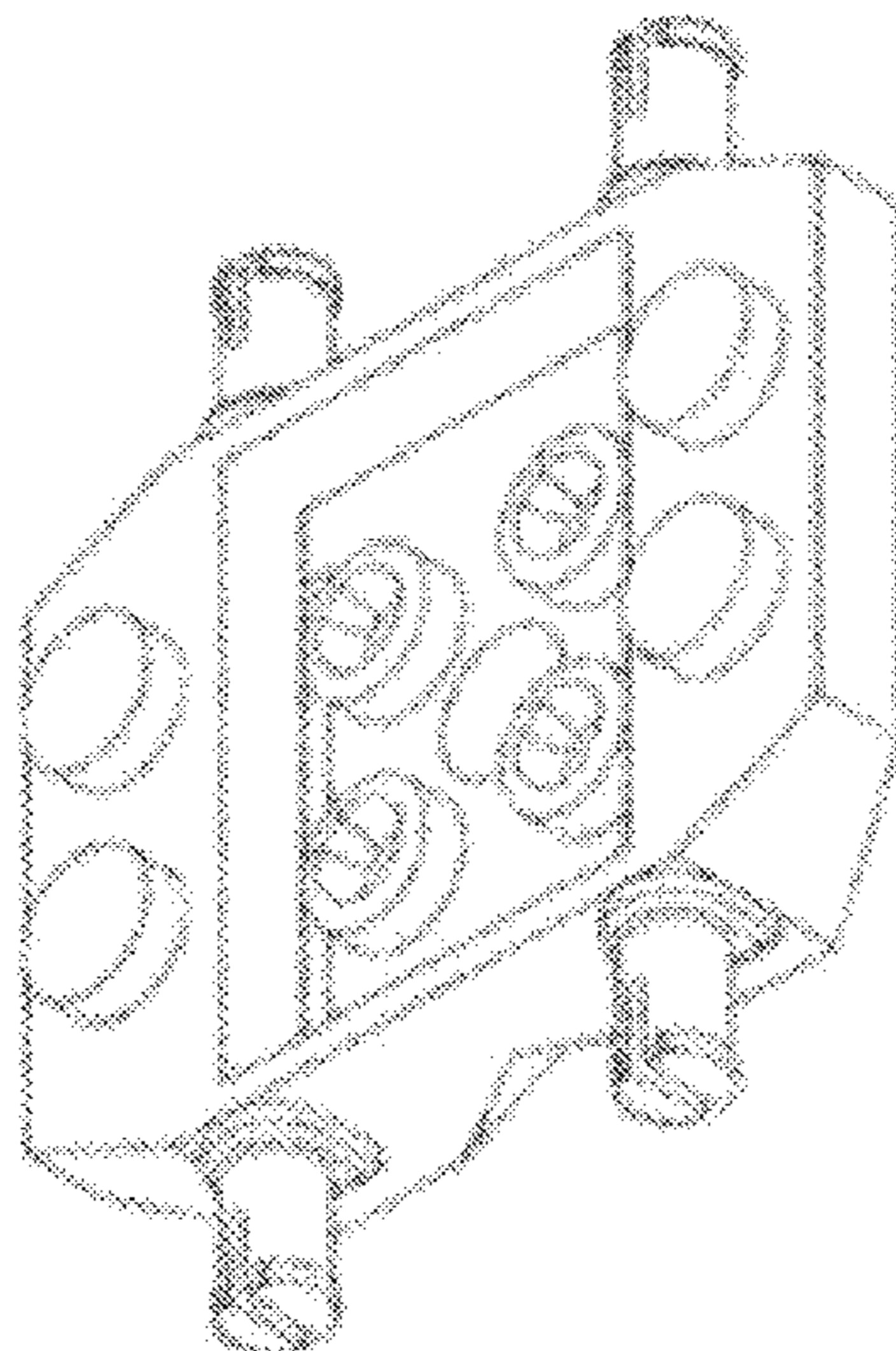
(57) **CLAIM**

The ornamental design for a toy element, as shown and described.

**DESCRIPTION**

FIG. 1 is a front perspective view of my ornamental design for toy element;  
FIG. 2 is a rear perspective view thereof;  
FIG. 3 is a front elevational thereof;  
FIG. 4 is a top plan view thereof;  
FIG. 5 is a side elevational view thereof; and,  
FIG. 6 is a rear elevational view thereof.

**1 Claim, 6 Drawing Sheets**



(56)

**References Cited**

U.S. PATENT DOCUMENTS

D395,064	S	*	6/1998	Pagel .....	D21/484
D395,470	S	*	6/1998	Rahbek .....	D21/484
6,547,624	B1		4/2003	Bojesen et al.	
6,736,691	B1		5/2004	Bach	
7,708,615	B2		5/2010	Munch	
8,690,631	B2		4/2014	Nag	
8,756,894	B2		6/2014	Swartz et al.	
D715,377	S		10/2014	Cunningham	
D718,823	S		12/2014	Cunningham	
8,905,812	B2		12/2014	Pai-Chen	
9,010,059	B2		4/2015	Lin	
D731,599	S		6/2015	Pilgaard	
D749,680	S		2/2016	Lin	
D771,198	S		11/2016	Ryaa	
D771,199	S		11/2016	Ryaa	
D777,845	S		1/2017	Marcil et al.	
9,539,519	B2		1/2017	Vollers et al.	
2009/0215357	A1		8/2009	Seligman	

\* cited by examiner

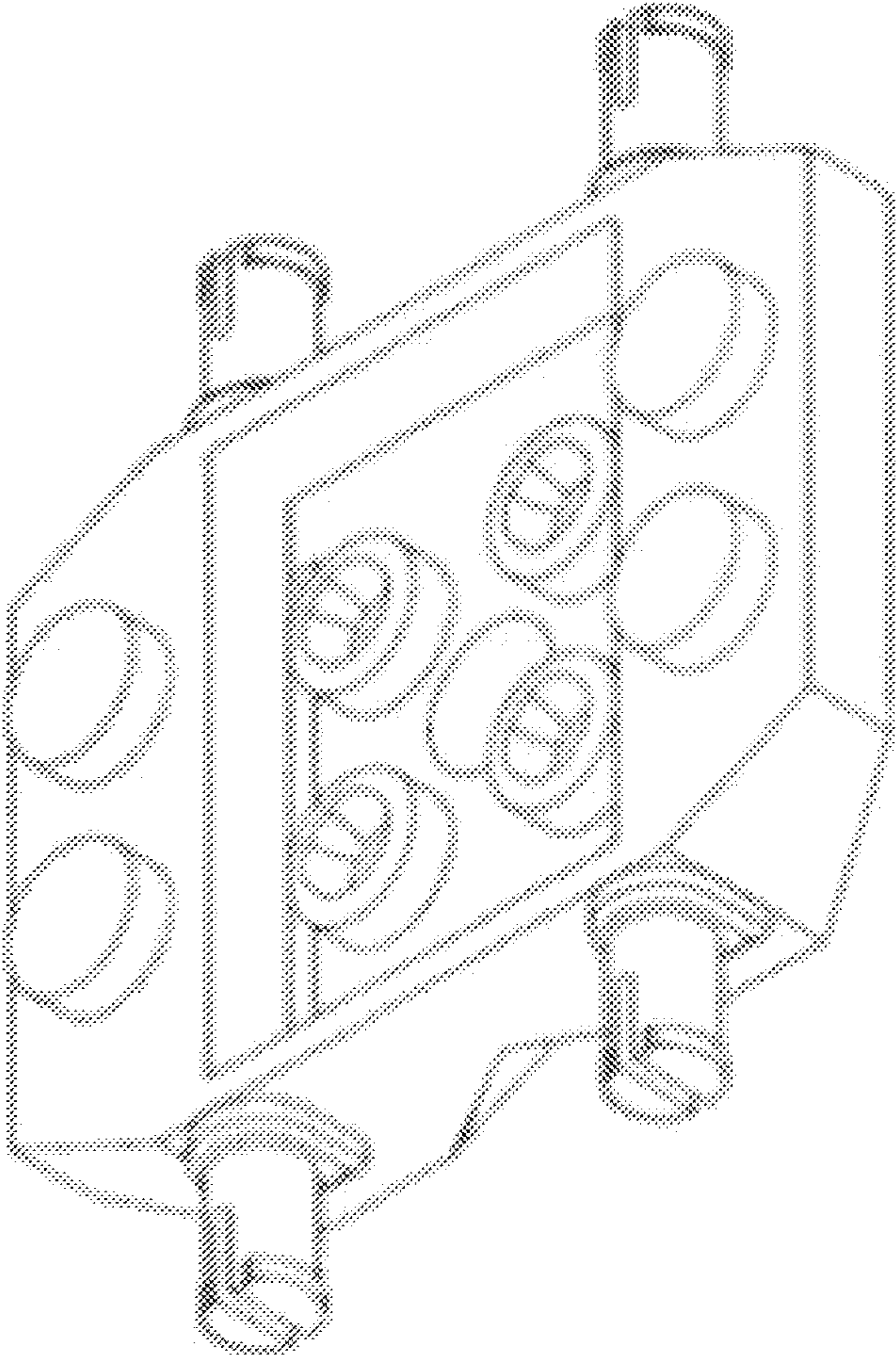


FIG. 1

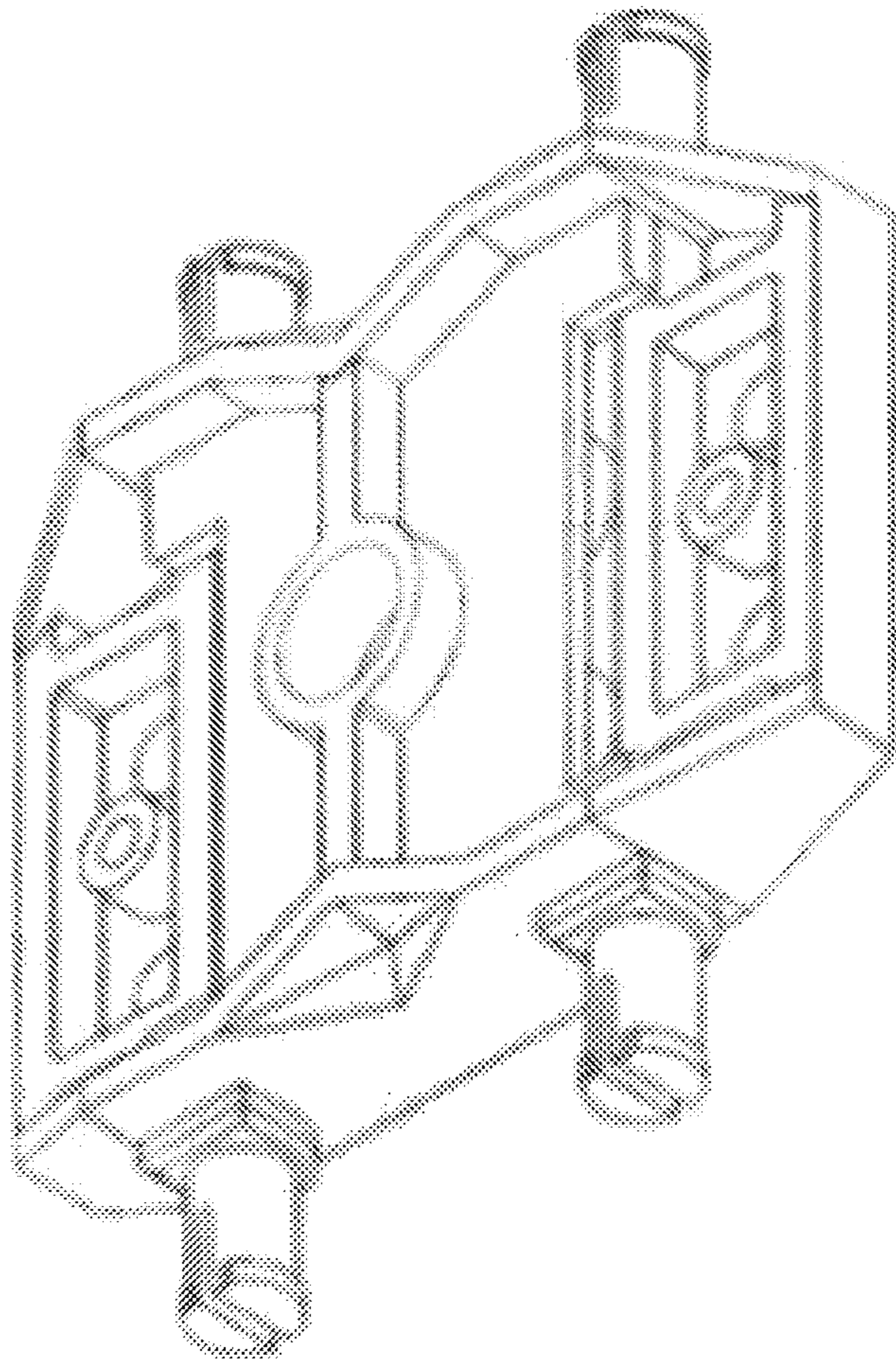


FIG. 2

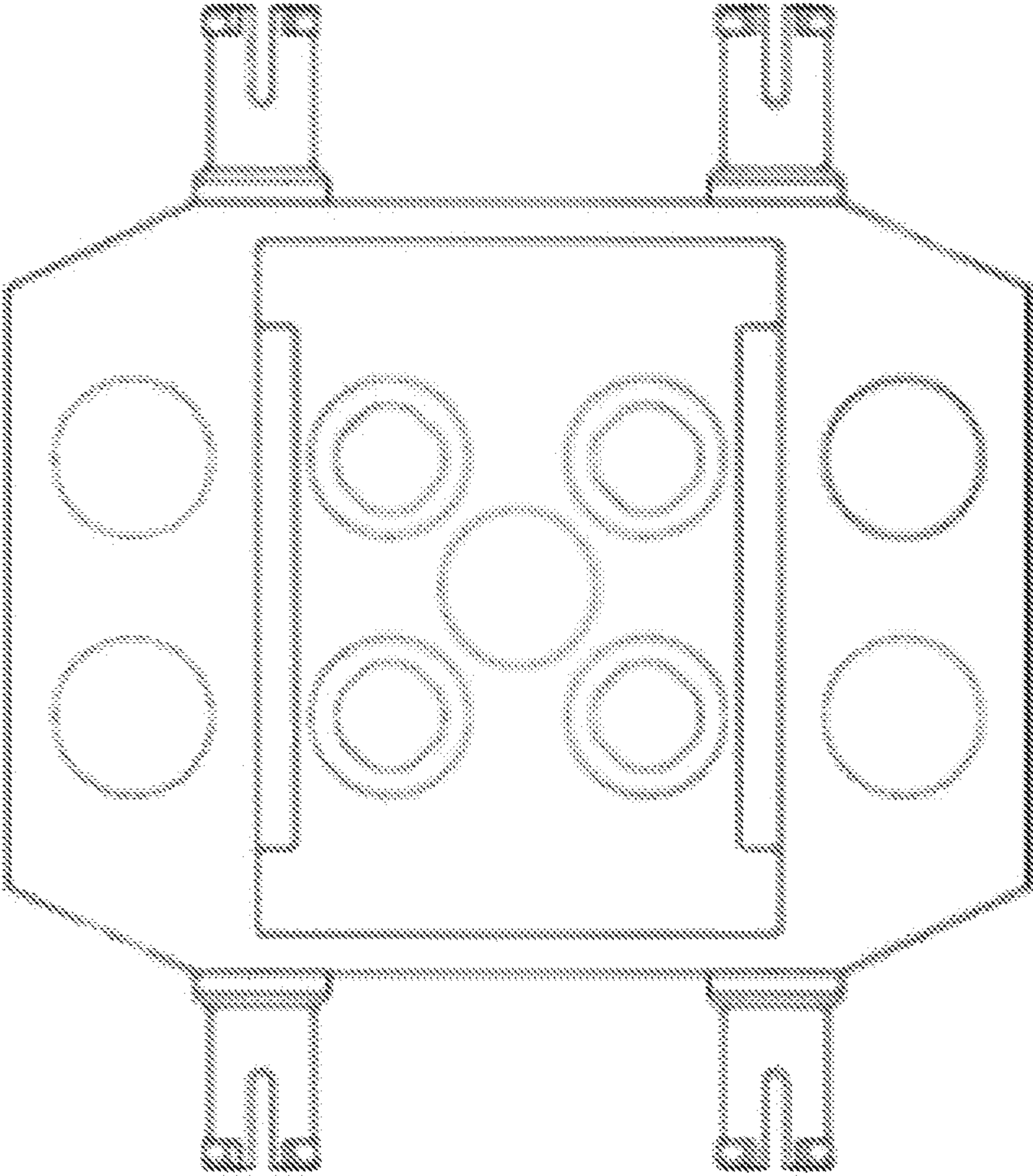


FIG. 3

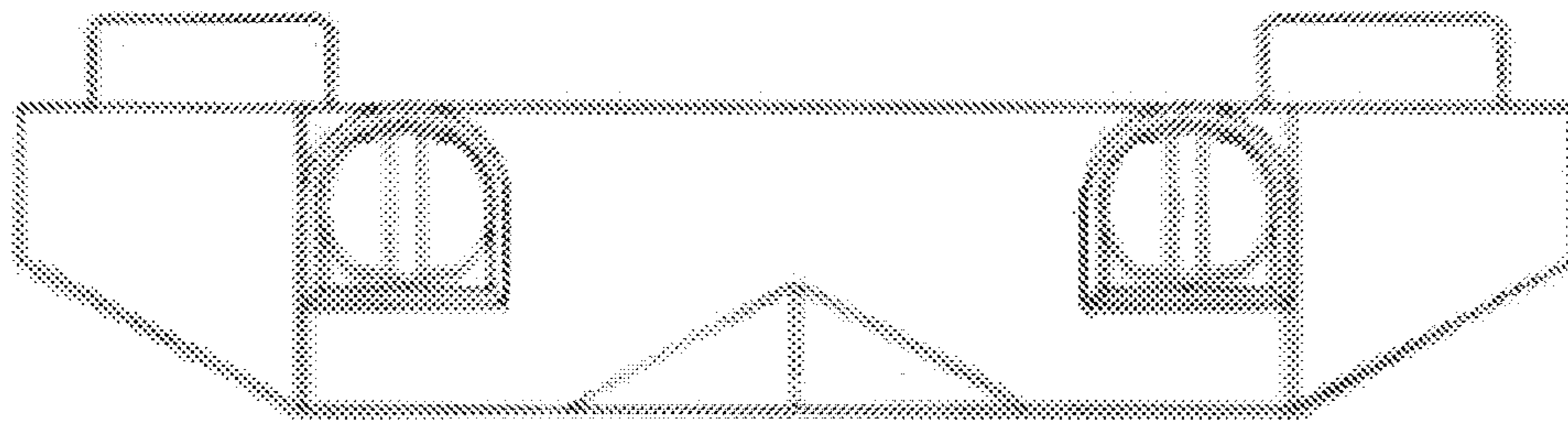


FIG. 4

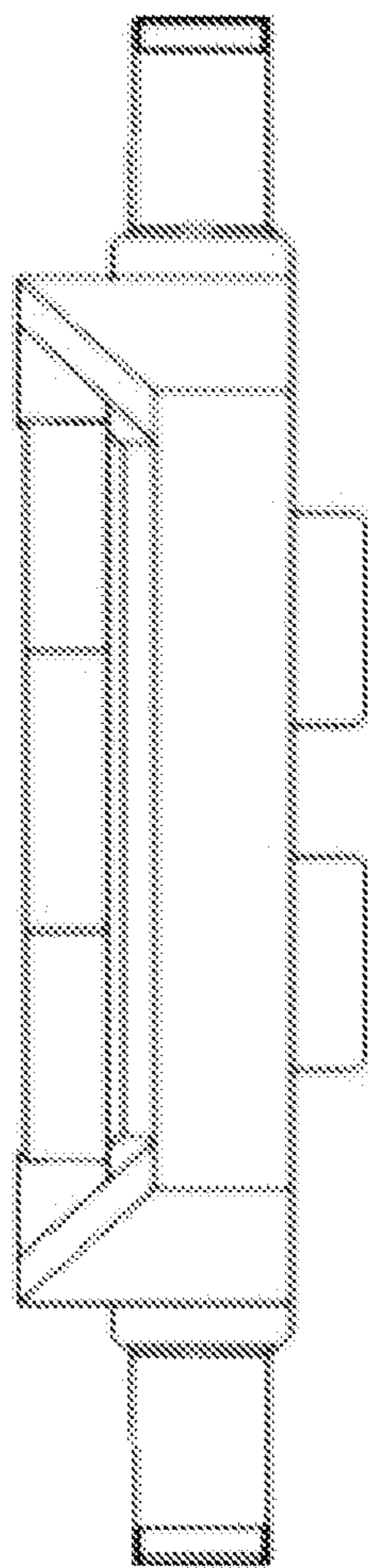


FIG. 5

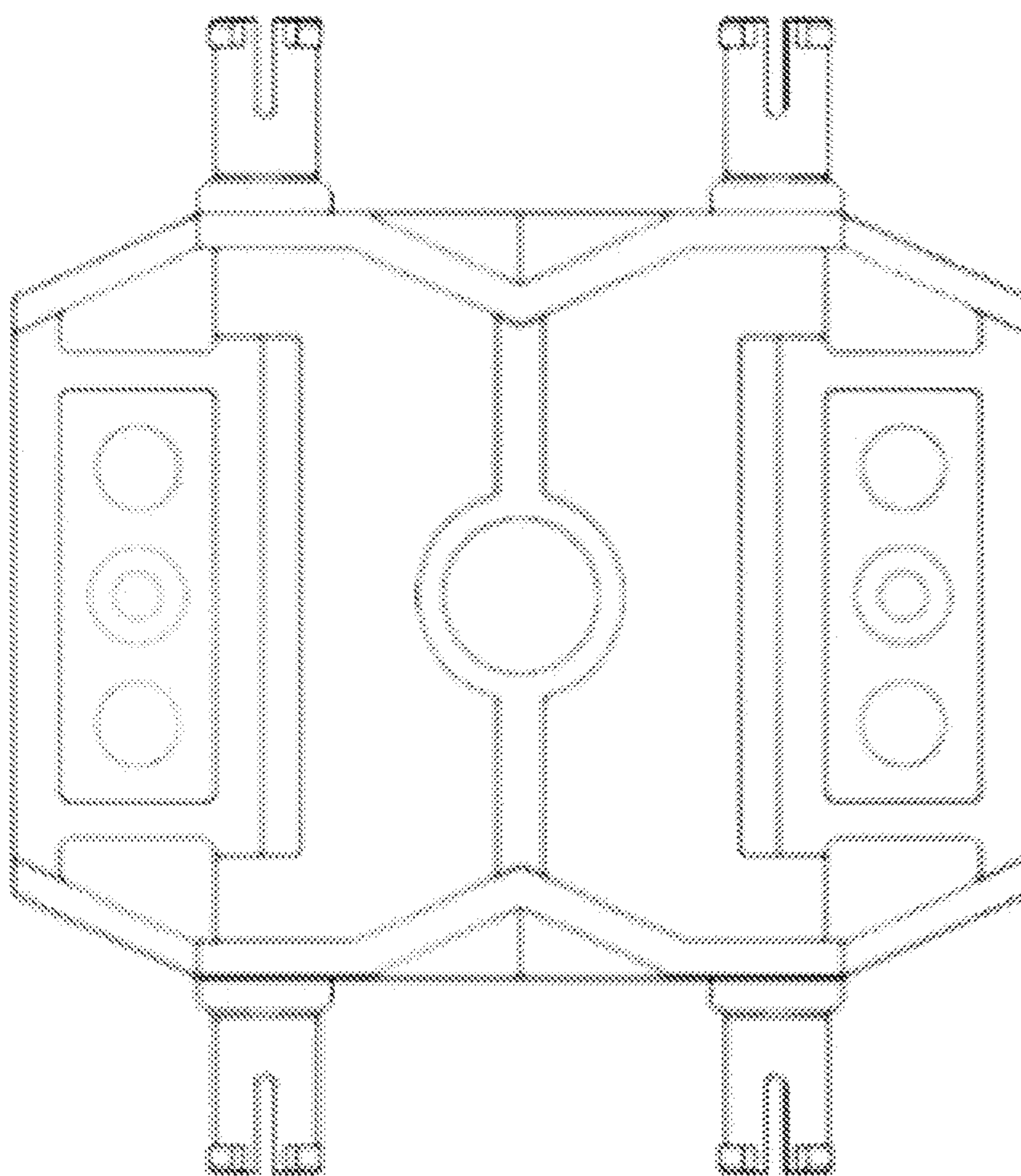


FIG. 6