



US00D846033S

(12) **United States Design Patent** (10) **Patent No.:** **US D846,033 S**
Oas (45) **Date of Patent:** **** Apr. 16, 2019**

(54) **SPINNER WITH FLORAL DESIGN**

(71) Applicant: **Daniel Oas**, Irwindale, CA (US)

(72) Inventor: **Daniel Oas**, Irwindale, CA (US)

(73) Assignee: **Calibre International, LLC**, Irwindale, CA (US)

(**) Term: **15 Years**

(21) Appl. No.: **29/609,705**

(22) Filed: **Jul. 4, 2017**

(51) **LOC (11) Cl.** **21-01**

(52) **U.S. Cl.**

USPC **D21/455**

(58) **Field of Classification Search**

USPC D21/373-375, 387, 395, 398, 404-406, D21/436-438, 441, 443, 444, 451, D21/455-464, 467, 468, 473-477, D21/485-505, 530, 533-536, 707, 710; D24/194, 195; D30/160; D19/123, D19/135-138, 151, 153, 155, 189, 202, D19/65, 85, 95, 99, 100, 75, 77, 81, 82, D19/102-107, 112, 120; D28/78, 79, 86; D7/505, 506, 539-541, 551.1, 551.2, 555, D7/556, 600.2; D9/661-664, 715, 721, D9/737, 756; D3/18, 20, 21, 206, 271.1, D3/271.8, 274; 446/36-48, 214, 215, 446/217, 218, 233, 235-266, 487, 489, 446/491, 71-76, 146; 401/18, 34, 35, 52, 401/131, 195, 292

CPC A63H 1/00-1/32; A63H 33/00; A63H 33/002; A63H 33/18; A63H 33/185; A63F 9/16; A63F 2009/165; A63F 2009/0018; B43K 29/00-29/20; B43K 23/00; B43K 23/001; B43K 23/002; B43K 23/004; B43K 23/008; B43K 23/0016; B43K 23/02; B43K 23/04; B43K 23/06; B43K 23/08; B43K 27/00; B43K 27/02; B43K 27/04; B43K 27/08; B43K 27/12

See application file for complete search history.

(56) **References Cited**

U.S. PATENT DOCUMENTS

D156,773 S * 1/1950 Schaper 446/236
D219,527 S * 12/1970 Lange D21/463
D241,055 S * 8/1976 Wohlstrom D21/460
4,600,398 A * 7/1986 Fraga A63H 1/02
446/240
5,067,923 A * 11/1991 de Bourbon A63H 33/18
434/258
D328,310 S * 7/1992 Yoshinaga D11/117
D349,512 S * 8/1994 Law 401/195
D354,979 S * 1/1995 Tsuji D19/123

(Continued)

FOREIGN PATENT DOCUMENTS

CH 97664 A * 4/1923 A63F 9/16
EM 304112259 * 4/2017

(Continued)

Primary Examiner — Catherine A Tuttle

(74) *Attorney, Agent, or Firm* — Thomas I. Rozsa

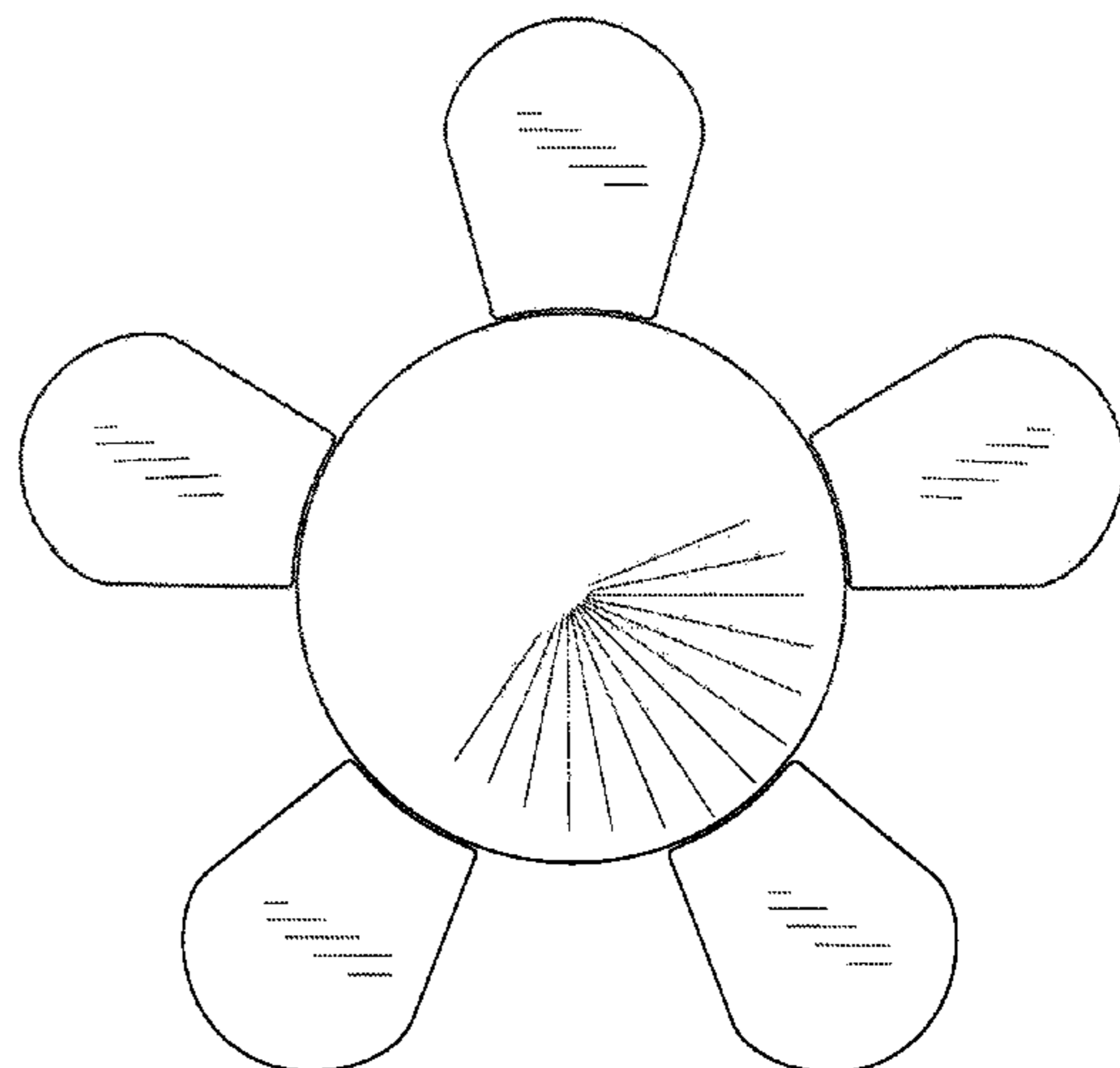
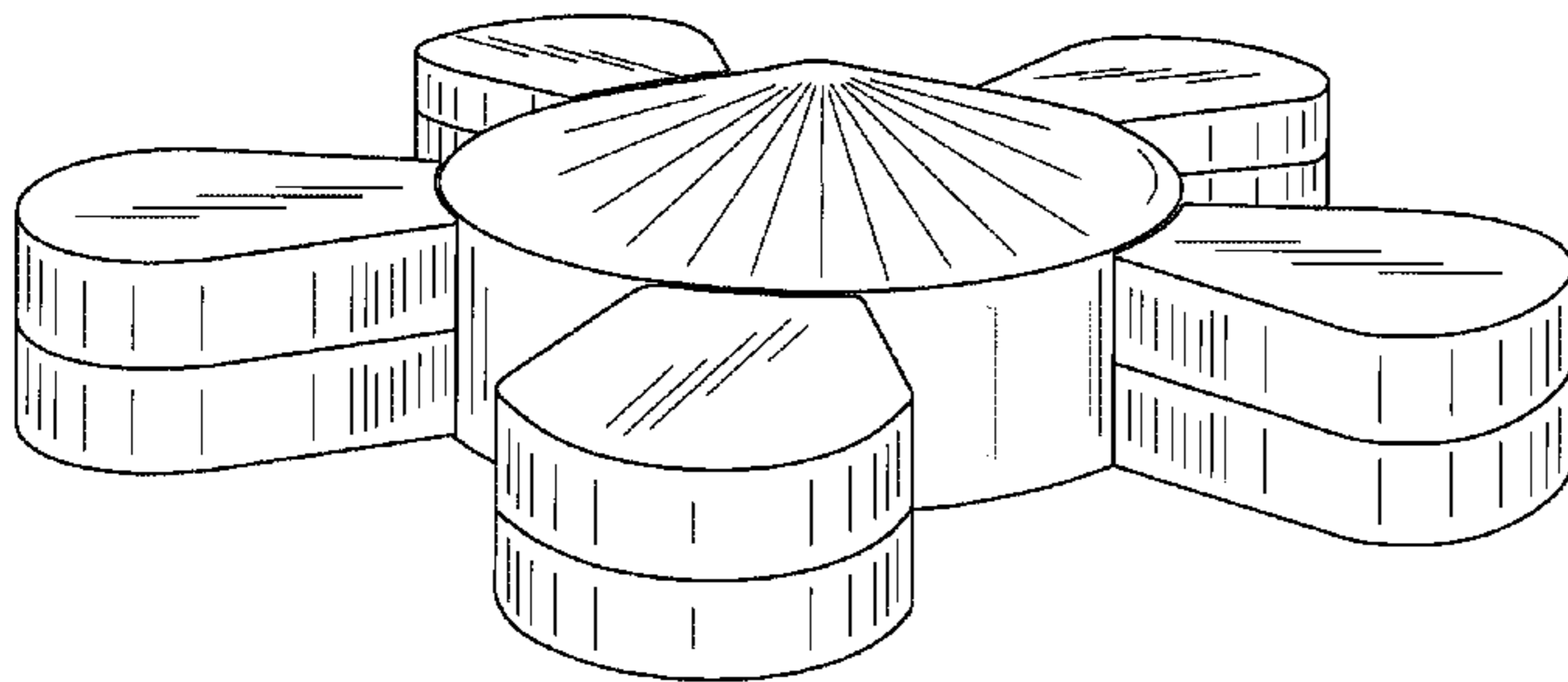
(57) **CLAIM**

The ornamental design for a spinner with floral design, as shown and described.

DESCRIPTION

FIG. 1 is a top front elevational view of a spinner with floral design, showing my new design;
FIG. 2 is a top plan view thereof;
FIG. 3 is a bottom plan view thereof;
FIG. 4 is a front view thereof;
FIG. 5 is a rear view thereof;
FIG. 6 is a right side view thereof;
FIG. 7 is a left side view thereof;
FIG. 8 is another top front perspective view thereof; and,
FIG. 9 is a bottom perspective view thereof.

1 Claim, 7 Drawing Sheets



(56)

References Cited

U.S. PATENT DOCUMENTS

5,655,777 A * 8/1997 Neading A63B 65/08
 473/594
 D392,695 S * 3/1998 Haupt D21/476
 5,763,796 A * 6/1998 Britto A63H 13/00
 40/455
 6,120,342 A * 9/2000 Chan A63H 1/32
 446/247
 D470,177 S * 2/2003 Chen D19/120
 D504,910 S * 5/2005 Lee D19/120
 D558,987 S * 1/2008 Gildersleeve D6/306
 D645,508 S * 9/2011 Goodelman D19/120
 D683,798 S * 6/2013 Goldman D21/398
 9,751,358 B2 * 9/2017 Sferle B43K 27/08
 D801,440 S * 10/2017 Pavelsky D21/455
 9,895,620 B1 * 2/2018 Walterscheid A63H 1/24
 9,950,556 B1 * 4/2018 Laemle B43K 29/00
 2008/0025784 A1 * 1/2008 Mueller B43K 23/004
 401/34
 2010/0237030 A1 * 9/2010 Cass A47J 47/16
 211/70
 2013/0287469 A1 * 10/2013 Young B43K 23/004
 401/8
 2015/0079874 A1 * 3/2015 Strauss F41B 3/03
 446/308

FOREIGN PATENT DOCUMENTS

EM 004014223-0003 * 6/2017
 EM 004019636-0001 * 6/2017
 EP 0974383 A1 * 1/2000 A63H 1/00
 WO WO-2015163766 A9 * 12/2017

* cited by examiner

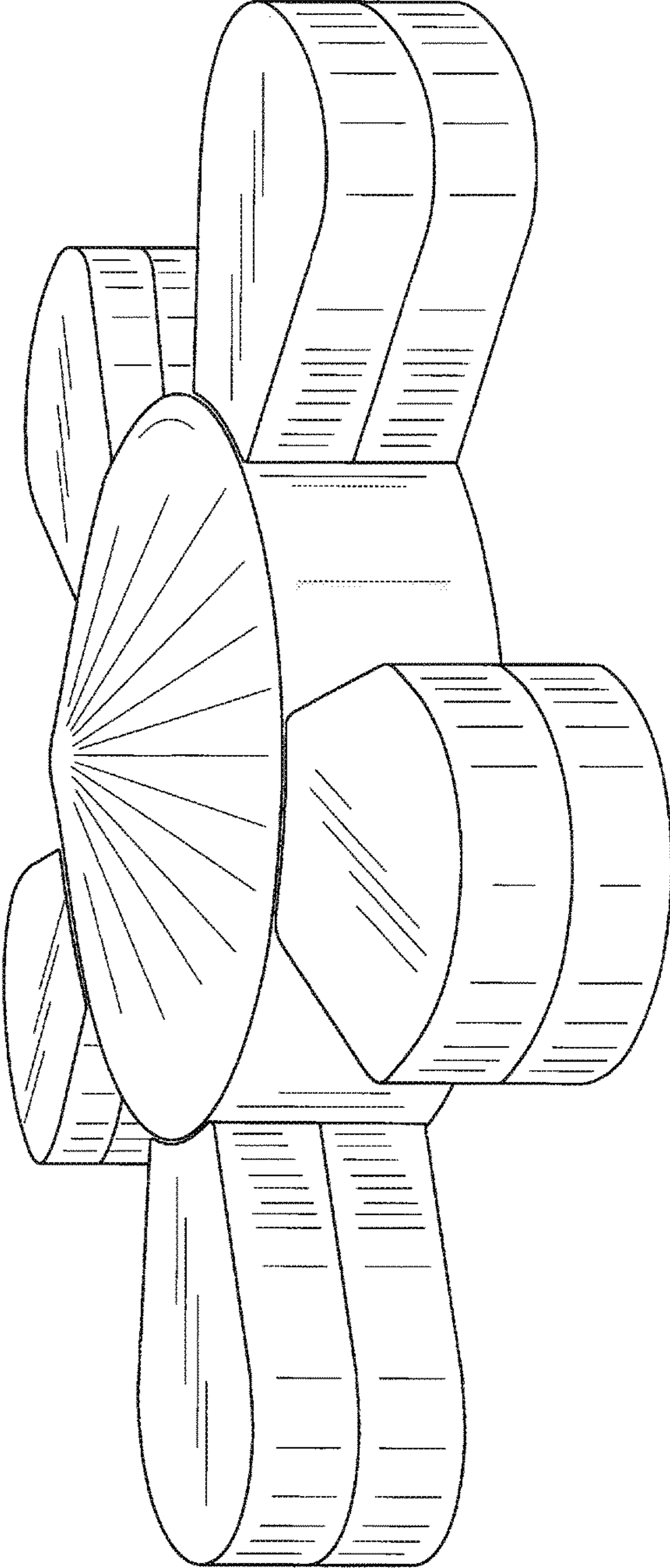


FIG. 1

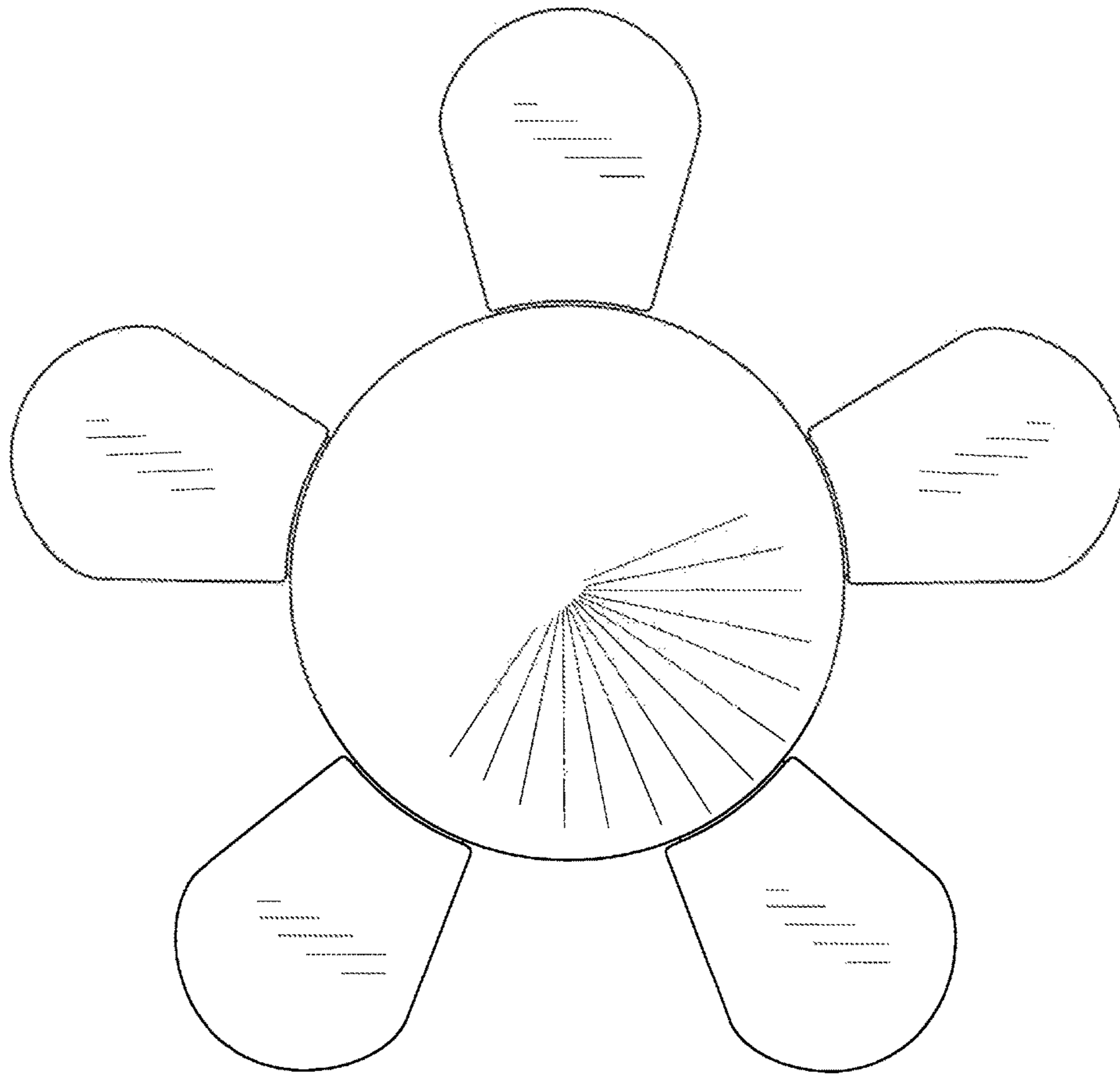


FIG. 2

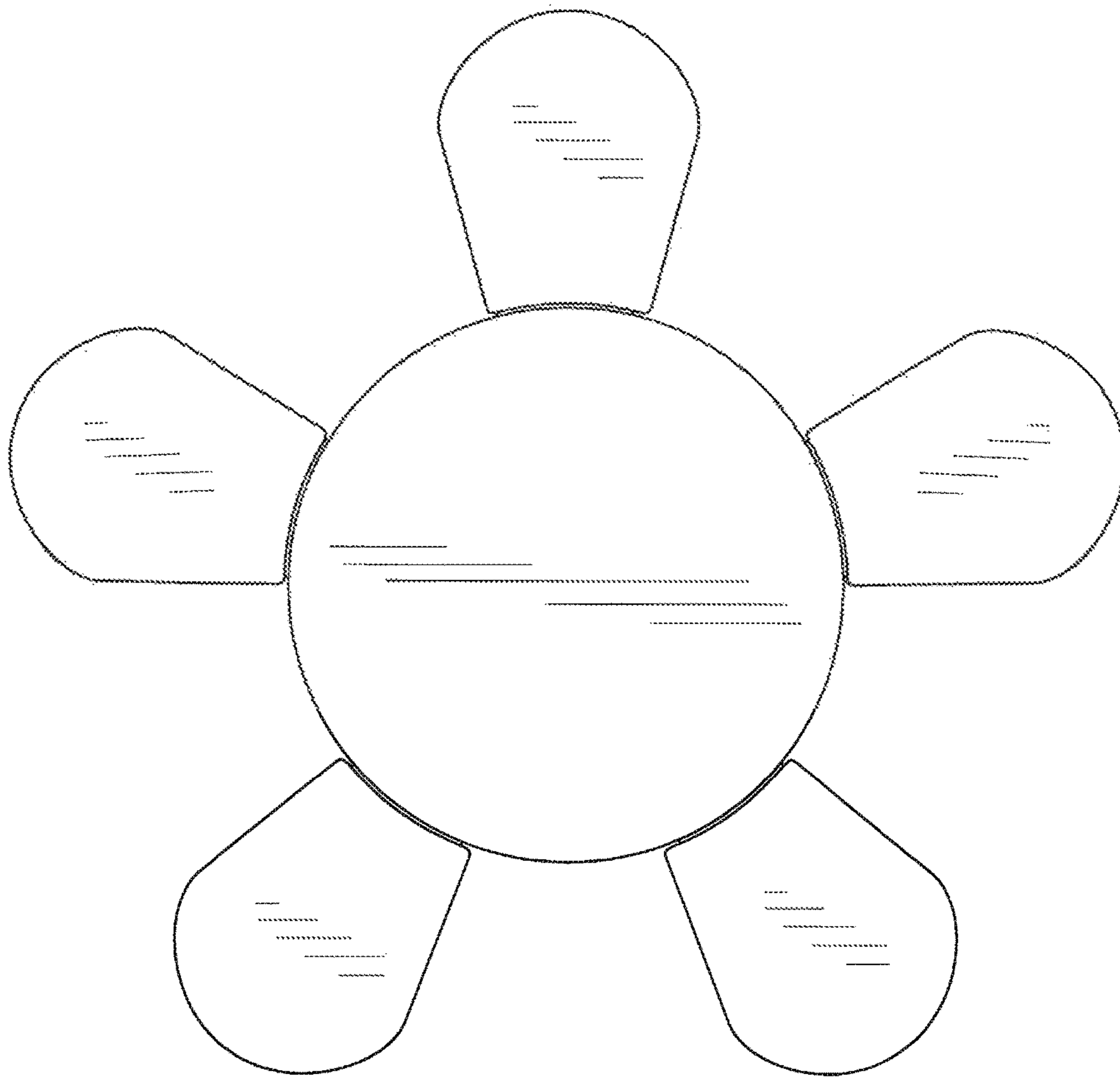


FIG. 3

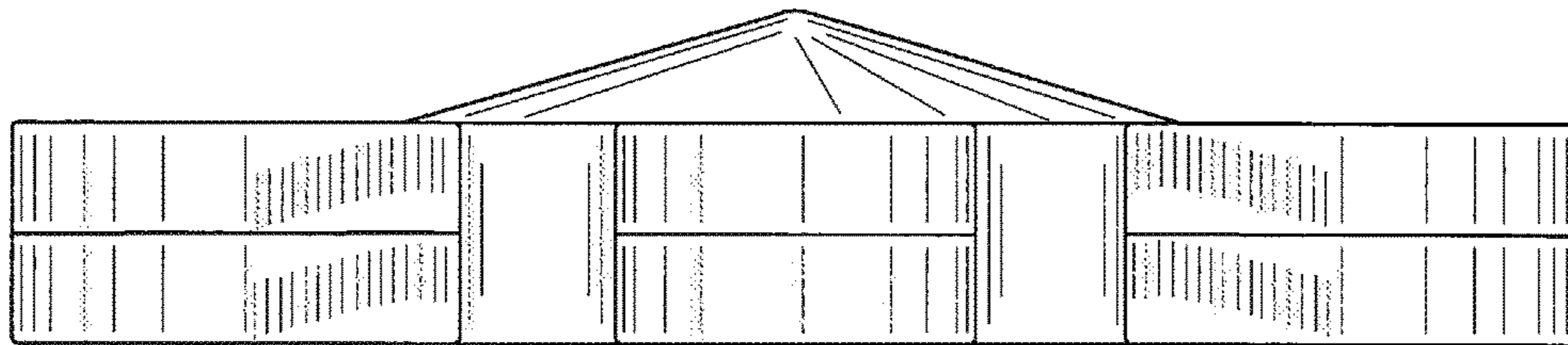


FIG. 4

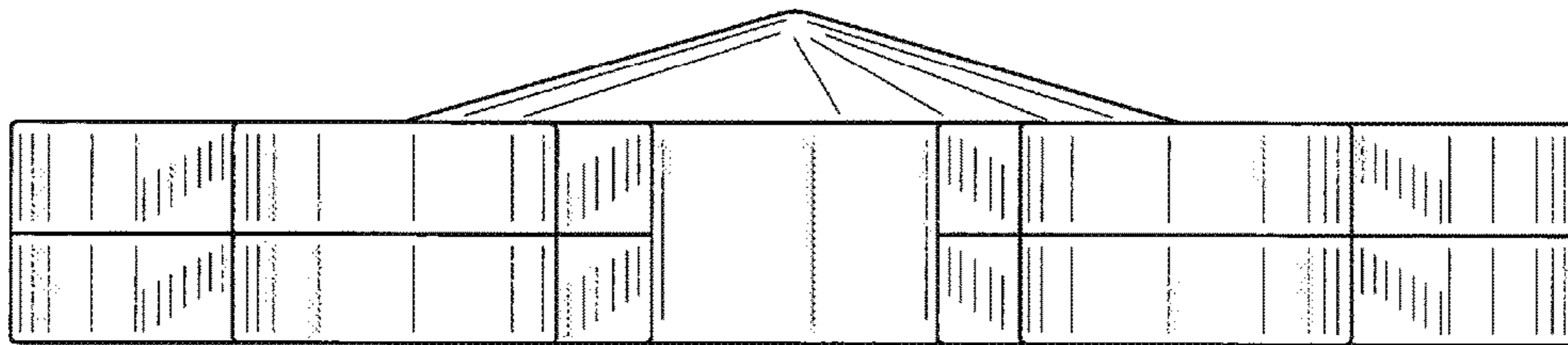


FIG. 5

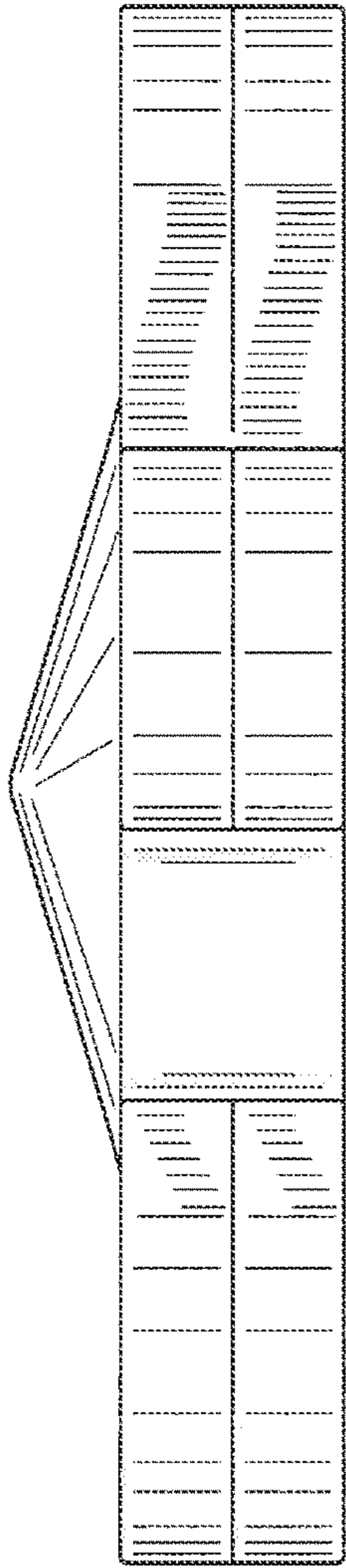


FIG. 6

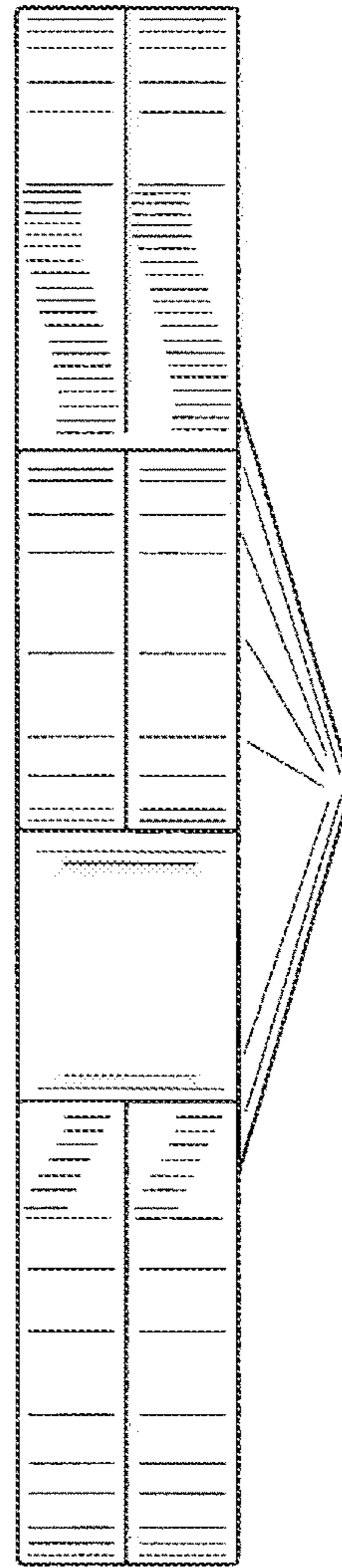


FIG. 7

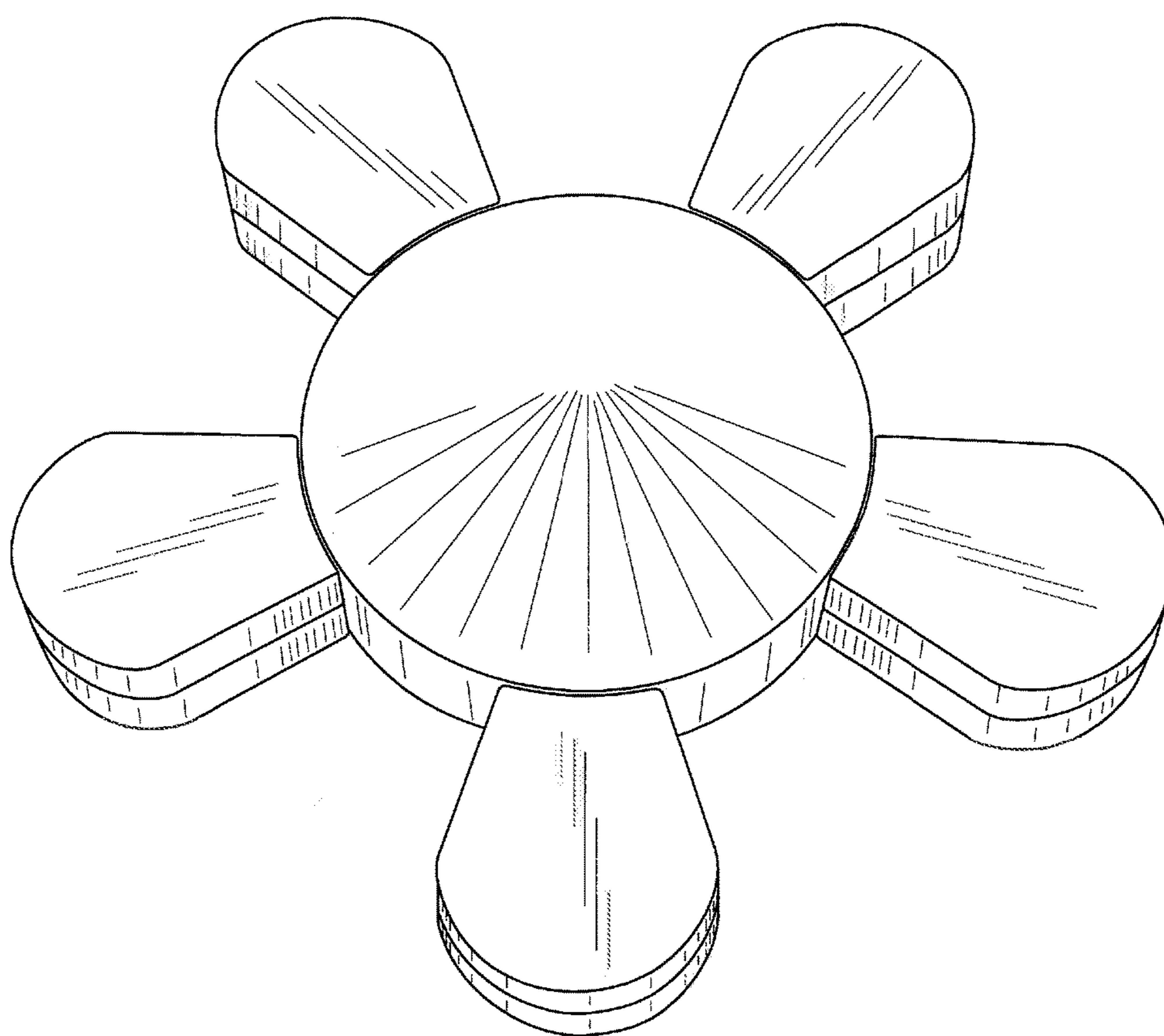


FIG. 8

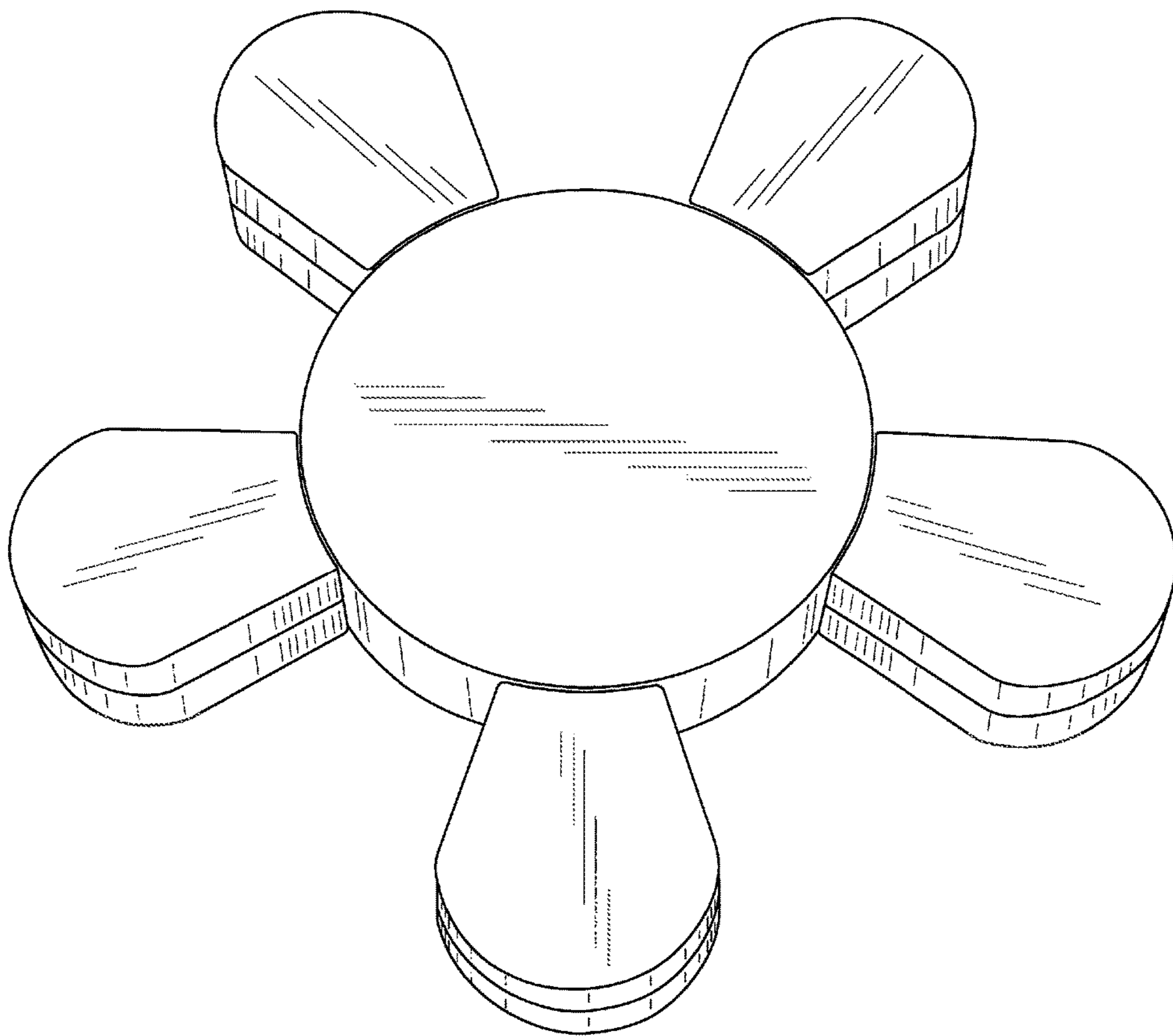


FIG. 9