



US00D846032S

(12) **United States Design Patent**
Frawley

(10) **Patent No.:** **US D846,032 S**
(45) **Date of Patent:** **** Apr. 16, 2019**

- (54) **AERIAL TOY**
- (71) Applicant: **FLIGHT LAB LIMITED**, Hong Kong (CN)
- (72) Inventor: **Sean Frawley**, Hong Kong (CN)
- (73) Assignee: **FLIGHT LAB LIMITED**, Hong Kong (CN)
- (**) Term: **15 Years**
- (21) Appl. No.: **29/637,118**
- (22) Filed: **Feb. 14, 2018**
- (51) **LOC (11) Cl.** **21-01**
- (52) **U.S. Cl.**
USPC **D21/436**
- (58) **Field of Classification Search**
USPC D12/16.1, 319–345, 1; D21/436, 438, D21/441, 442, 443, 444, 447, 448, 449, D21/450, 451, 452, 454, 769
CPC ... B64C 29/00; B64C 2201/141; B64C 27/24; B64C 27/30; B64C 39/04; B64C 29/0033; B64C 29/0025; B64C 27/20; B60F 5/02
See application file for complete search history.

- D570,436 S * 6/2008 Scaturro D21/766
 - 8,251,307 B2 * 8/2012 Goossen B64C 39/024 244/23 C
 - 8,328,130 B2 * 12/2012 Goossen B64C 27/20 244/17.11
 - D676,513 S * 2/2013 Putland D21/769
- (Continued)

OTHER PUBLICATIONS

Air Hogs Extreme Air Board by CoolTHings. dated Aug. 6, 2018. found online [Nov. 30, 2018] <https://www.coolthings.com/air-hogs-extreme-air-board-mini-hoverboard/>.*

(Continued)

Primary Examiner — Marissa J Cash
(74) *Attorney, Agent, or Firm* — Millman IP Inc.

(57) **CLAIM**

The design for an aerial toy, as shown and described.

DESCRIPTION

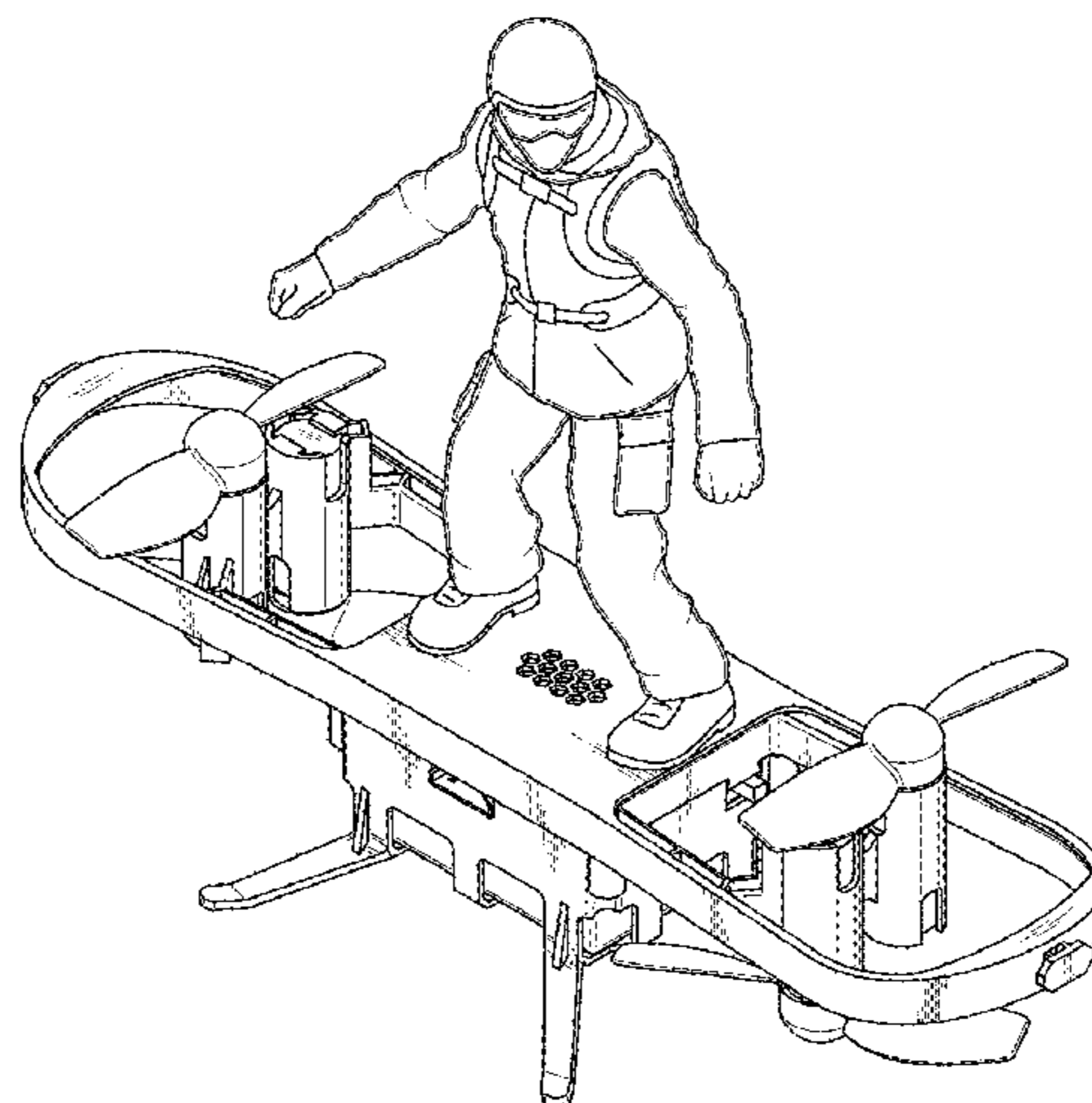
FIG. 1 is a perspective view from above, to the front and to the left side of a new design for an aerial toy;
FIG. 2 is a perspective view from above, to the rear and to the left side thereof;
FIG. 3 is a perspective view from below, to the front, and to the left side thereof;
FIG. 4 is a perspective view from below, to the rear, and to the left side thereof;
FIG. 5 is a top plan view thereof;
FIG. 6 is a bottom plan view thereof;
FIG. 7 is a left side elevation view thereof;
FIG. 8 is a right side elevation view thereof;
FIG. 9 is a front elevation view thereof; and
FIG. 10 is a rear elevation view thereof.
In the drawings, the broken lines depict portions of the aerial toy that form no part of the claim.

1 Claim, 9 Drawing Sheets

(56) **References Cited**

U.S. PATENT DOCUMENTS

- 2,955,780 A * 10/1960 Hulbert B64C 27/20 104/23.2
- 3,265,329 A * 8/1966 Postelson B64C 27/20 180/122
- D243,837 S * 3/1977 Adams D12/330
- 5,634,839 A * 6/1997 Dixon A63H 27/00 446/37
- 6,745,977 B1 * 6/2004 Long B60F 5/02 244/17.25
- D516,994 S * 3/2006 Houck, II D12/319
- D526,951 S * 8/2006 Houck, II D12/319
- 7,275,712 B2 * 10/2007 Yoeli B64C 29/0025 244/23 A
- D557,365 S * 12/2007 Parten D21/766



(56)

References Cited

U.S. PATENT DOCUMENTS

8,596,570 B1 * 12/2013 Carambat B64C 11/006
244/12.1
8,651,432 B2 * 2/2014 De Roche B64C 29/0025
244/220
8,876,038 B2 * 11/2014 Yoeli B64C 27/20
244/23 A
D747,775 S * 1/2016 Colin D12/16.1
9,254,916 B2 * 2/2016 Yang B64C 3/546
D768,540 S * 10/2016 Ji D12/16.1
9,457,901 B2 * 10/2016 Bertrand A63H 27/12
D779,595 S * 2/2017 Xiao D12/16.1
D800,603 S * 10/2017 Curl D12/16.1
D806,635 S * 1/2018 Zhou D12/326
D806,636 S * 1/2018 Lee D12/345
D810,617 S * 2/2018 Duru D12/1
9,932,111 B2 * 4/2018 Spinelli B64C 39/024
9,950,789 B2 * 4/2018 Tsunekawa B64C 27/20
2006/0049304 A1 * 3/2006 Sanders, Jr. B64C 27/12
244/23 A
2006/0113425 A1 * 6/2006 Rader B64C 15/00
244/17.11
2006/0192047 A1 * 8/2006 Goossen B64C 27/20
244/17.23
2006/0231675 A1 * 10/2006 Bostan B64C 3/385
244/12.1
2008/0283673 A1 * 11/2008 Yoeli B60V 1/043
244/23 A
2009/0084907 A1 * 4/2009 Yoeli B64C 15/02
244/23 R
2009/0140102 A1 * 6/2009 Yoeli B64C 27/20
244/23 D
2010/0051740 A1 * 3/2010 Yoeli B64C 27/20
244/12.1
2010/0051753 A1 * 3/2010 Yoeli B64C 29/0025
244/23 A

2010/0076625 A1 * 3/2010 Yoeli B60V 1/043
701/4
2011/0001014 A1 * 1/2011 Gramling B64C 27/18
244/198
2011/0049306 A1 * 3/2011 Yoeli B64C 29/0025
244/23 A
2011/0049307 A1 * 3/2011 Yoeli B64C 27/08
244/23 A
2011/0174920 A1 * 7/2011 Yoeli B64C 27/20
244/75.1
2012/0080564 A1 * 4/2012 Yoeli B64C 19/00
244/23 A
2014/0124613 A1 * 5/2014 Yang B64C 3/546
244/12.4
2015/0370252 A1 * 12/2015 Hanson B63B 1/042
701/2

OTHER PUBLICATIONS

Spin Master home page. by SpinMaster. Copyright dated 2017. found online [Nov. 29, 2018] <https://shop.spinmaster.com/home>.
Buy Spin Master Toys Online via Wayback Machine by Wayback Machine. dated Jul. 8, 2017. found online [Nov. 30, 2018] https://web.archive.org/web/20170708073734/https://shop.spinmaster.com/store/us/air-hogs/_/N-plu6ng.
U.S. Appl. No. 29/637,117, Non-Final Office Action, dated Oct. 30, 2018, USPTO.
U.S. Appl. No. 29/637,115, Non-Final Office Action, dated Dec. 7, 2018, USPTO.
RC Hovering Space Surfer by Robert Birming of GeekAlerts. dated Aug. 29, 2008. [https:// www.geekalerts.com/rc-hovering-space-surfer/](https://www.geekalerts.com/rc-hovering-space-surfer/).
Tilting Motor Automatically VTOL Drone by uavgl. dated 2018. <http://www.uavgl.com/sale-7849246-tilting-motor-automatically-vtol-drone-tailored-for-your-vtol-applications-1-8meters-wingspan-80km-f.html>.

* cited by examiner

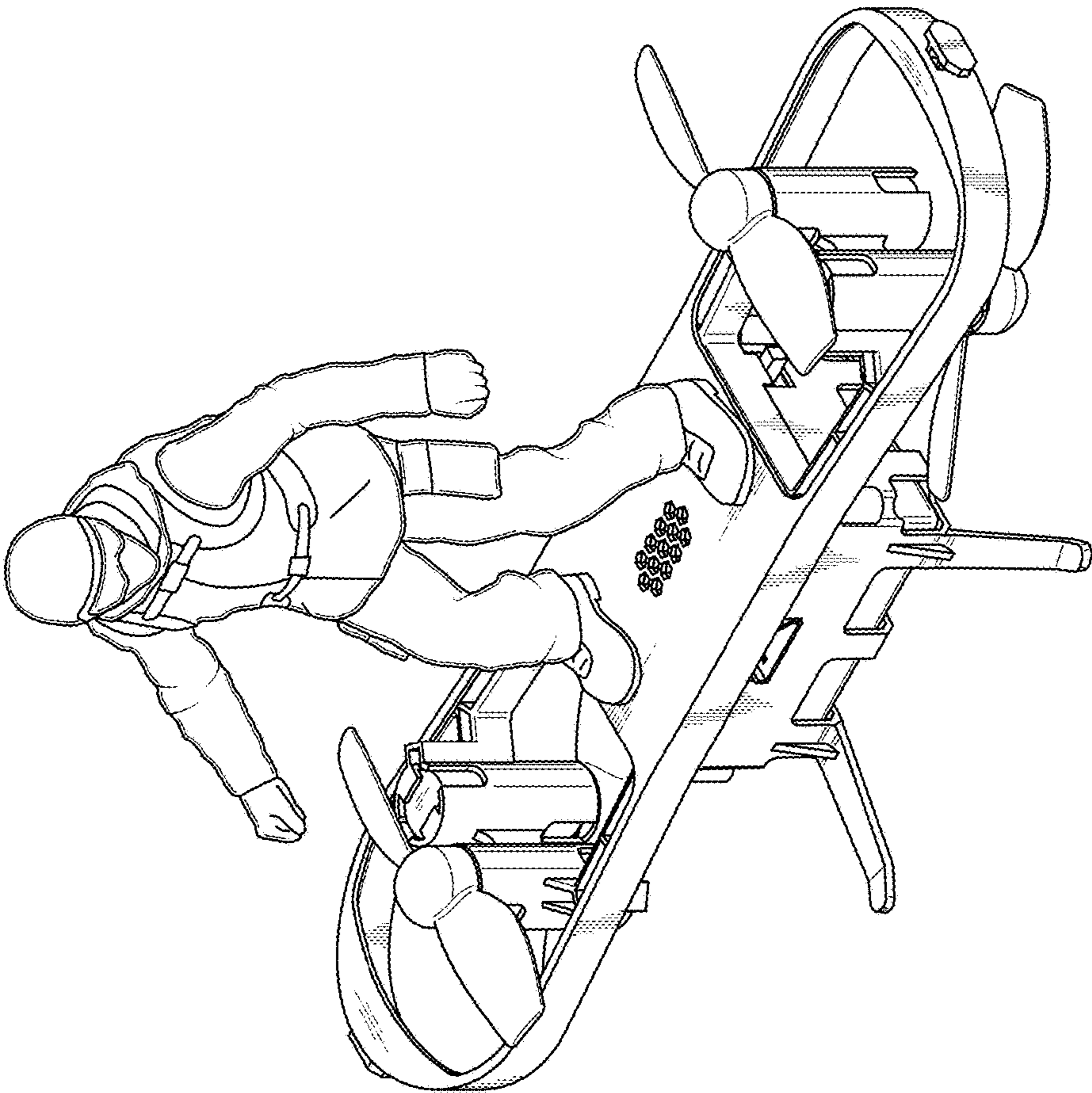


FIG. 1

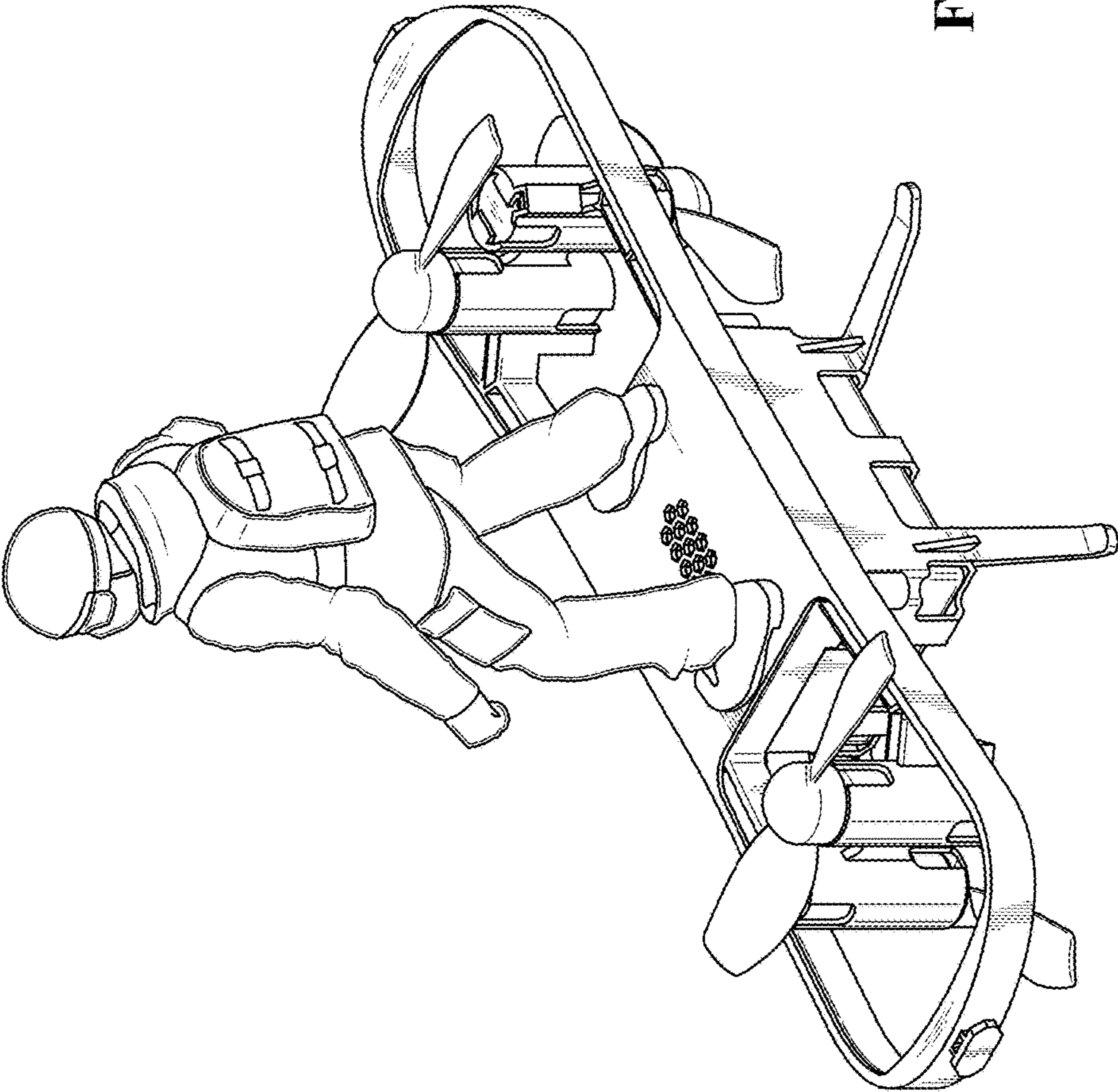


FIG. 2

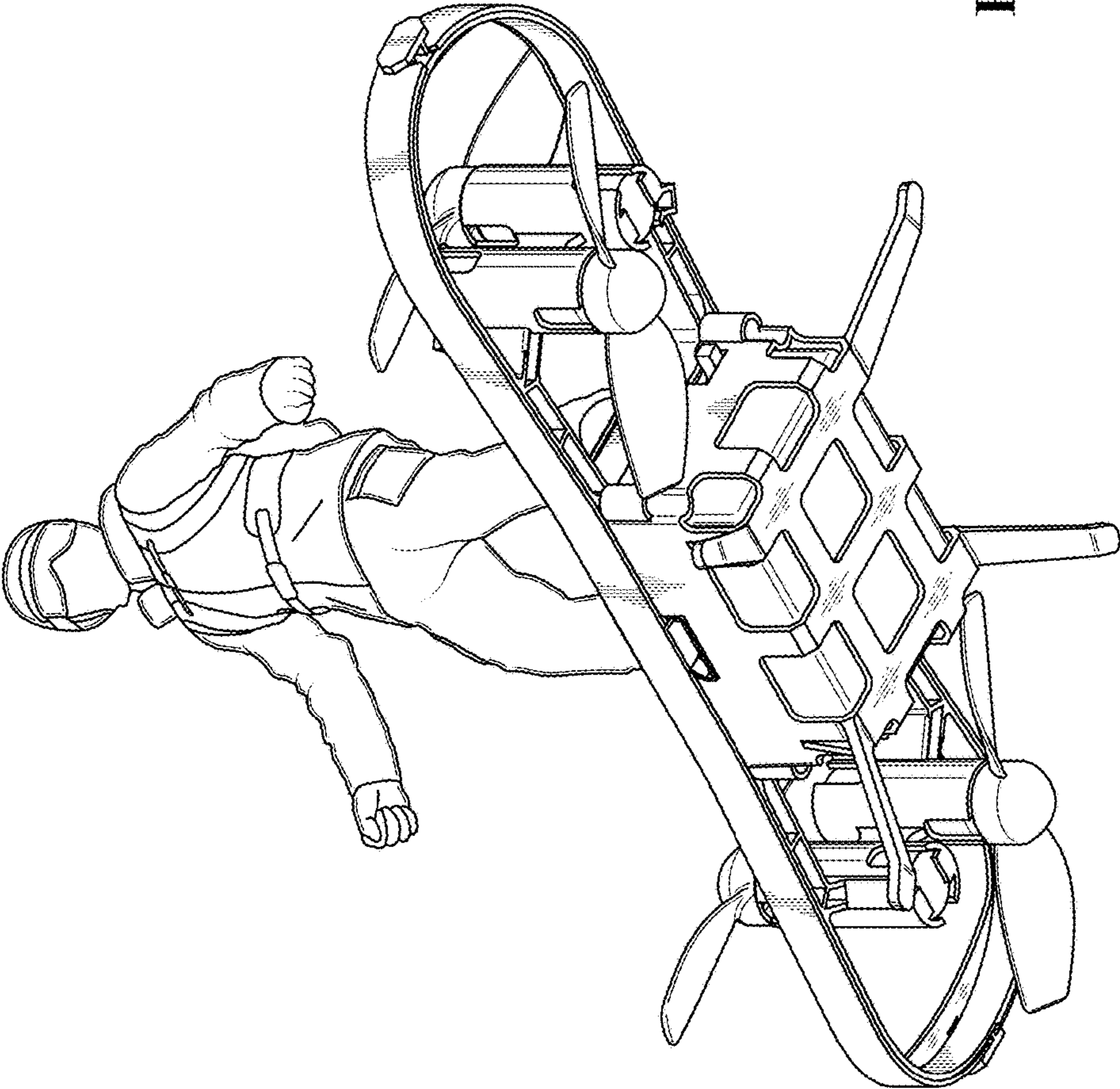


FIG. 3

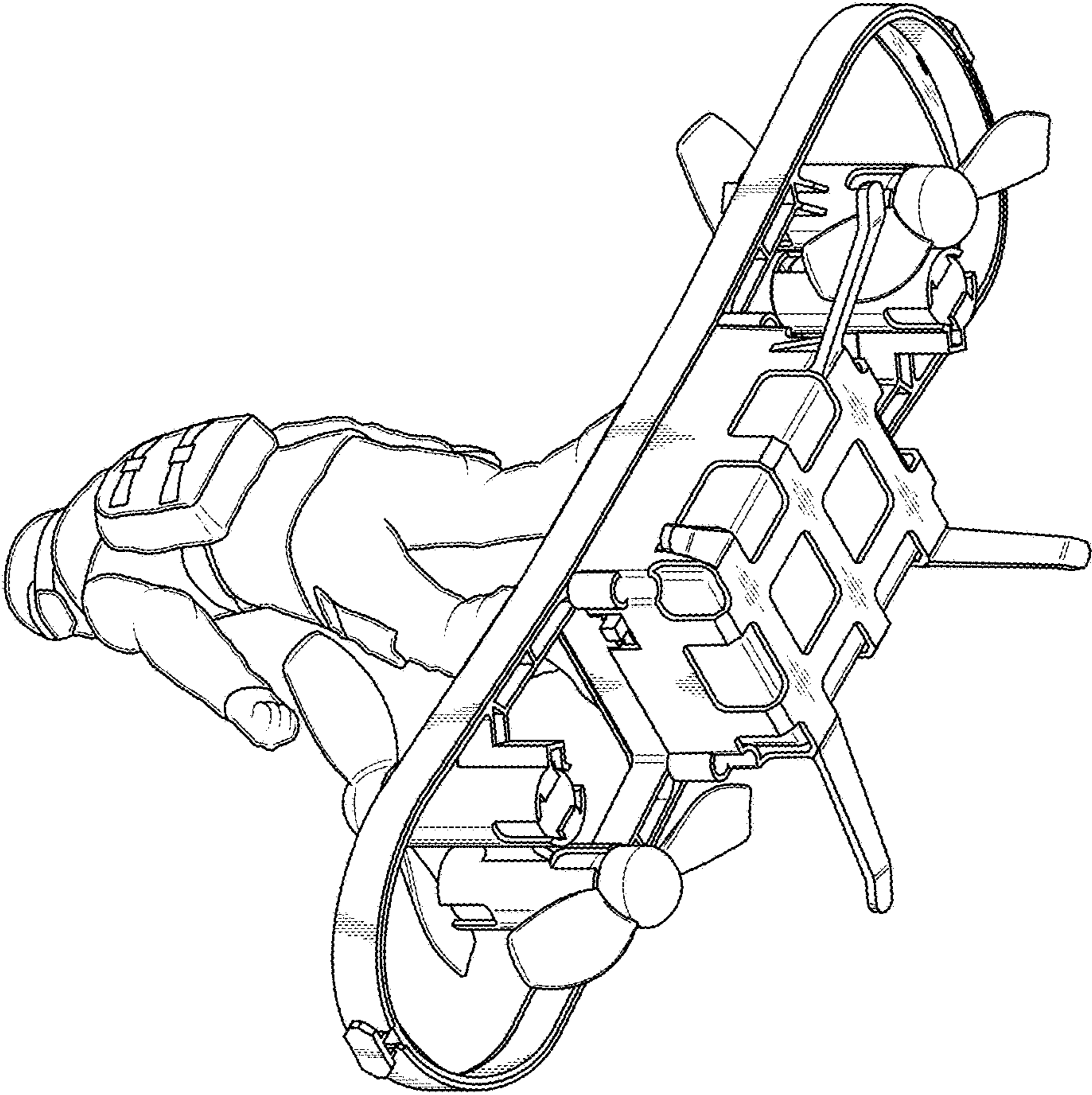


FIG. 4

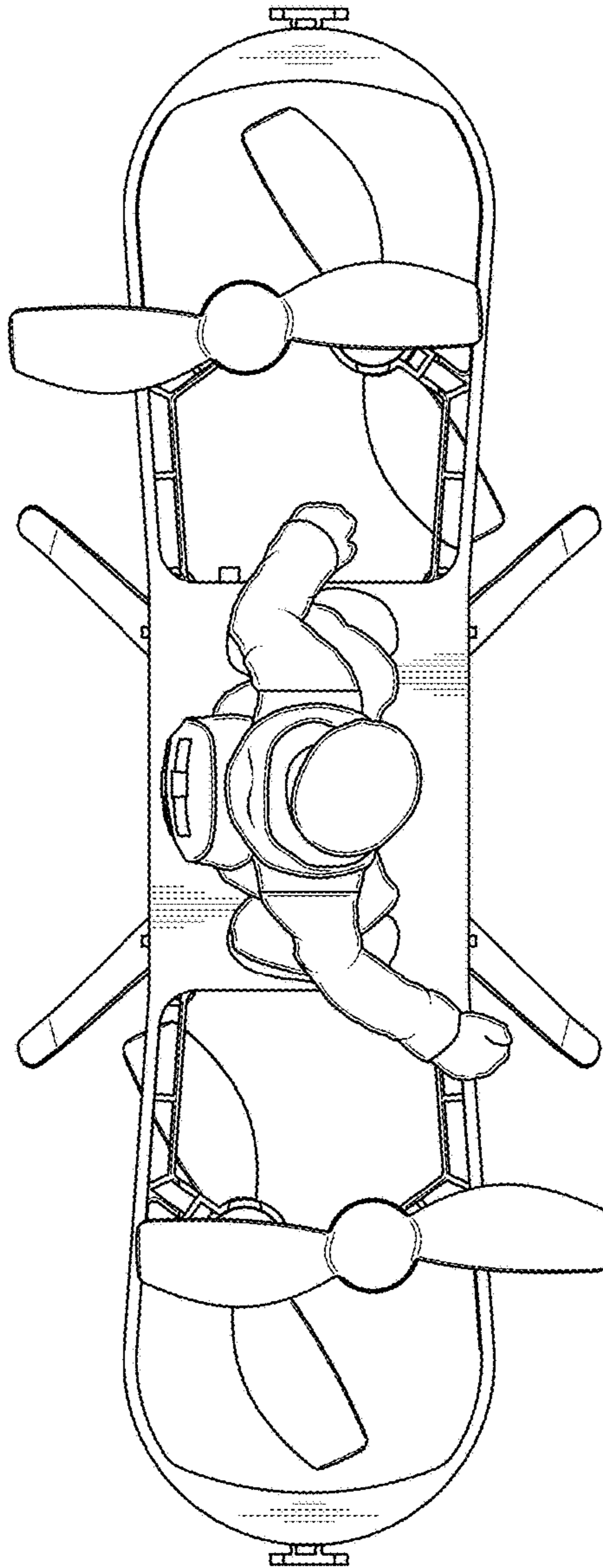


FIG. 5

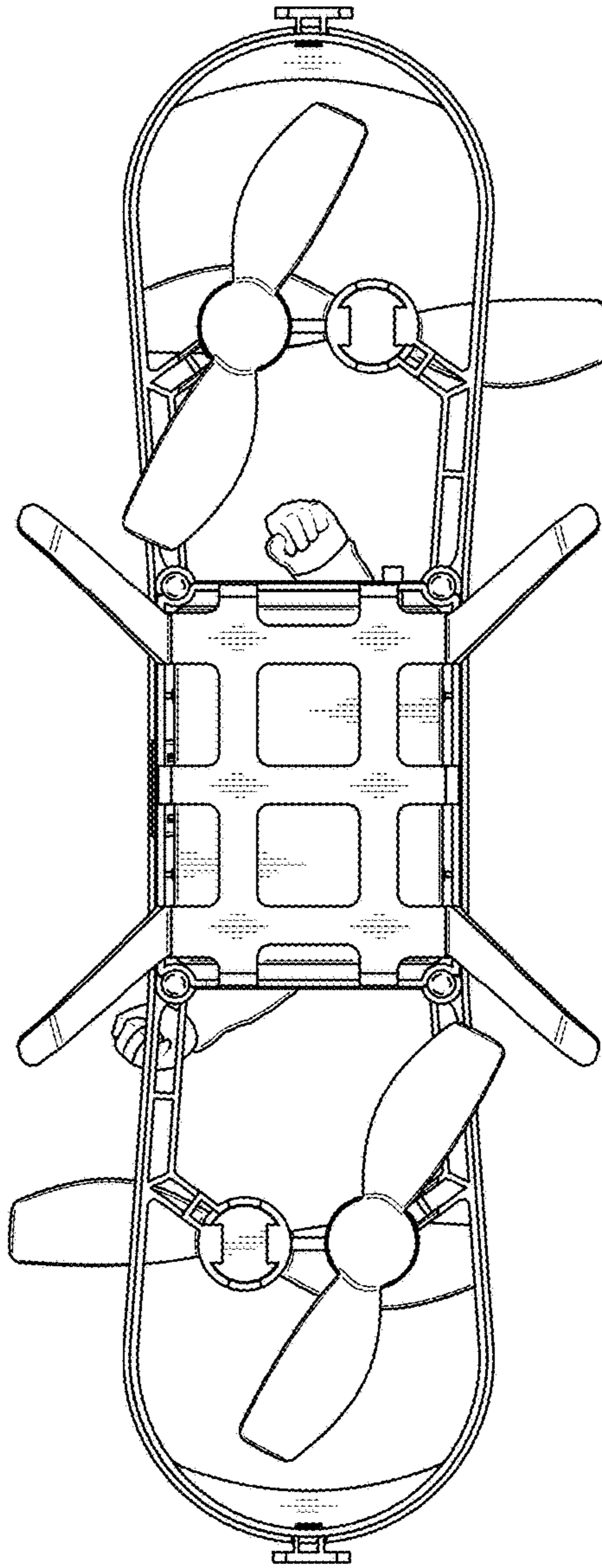
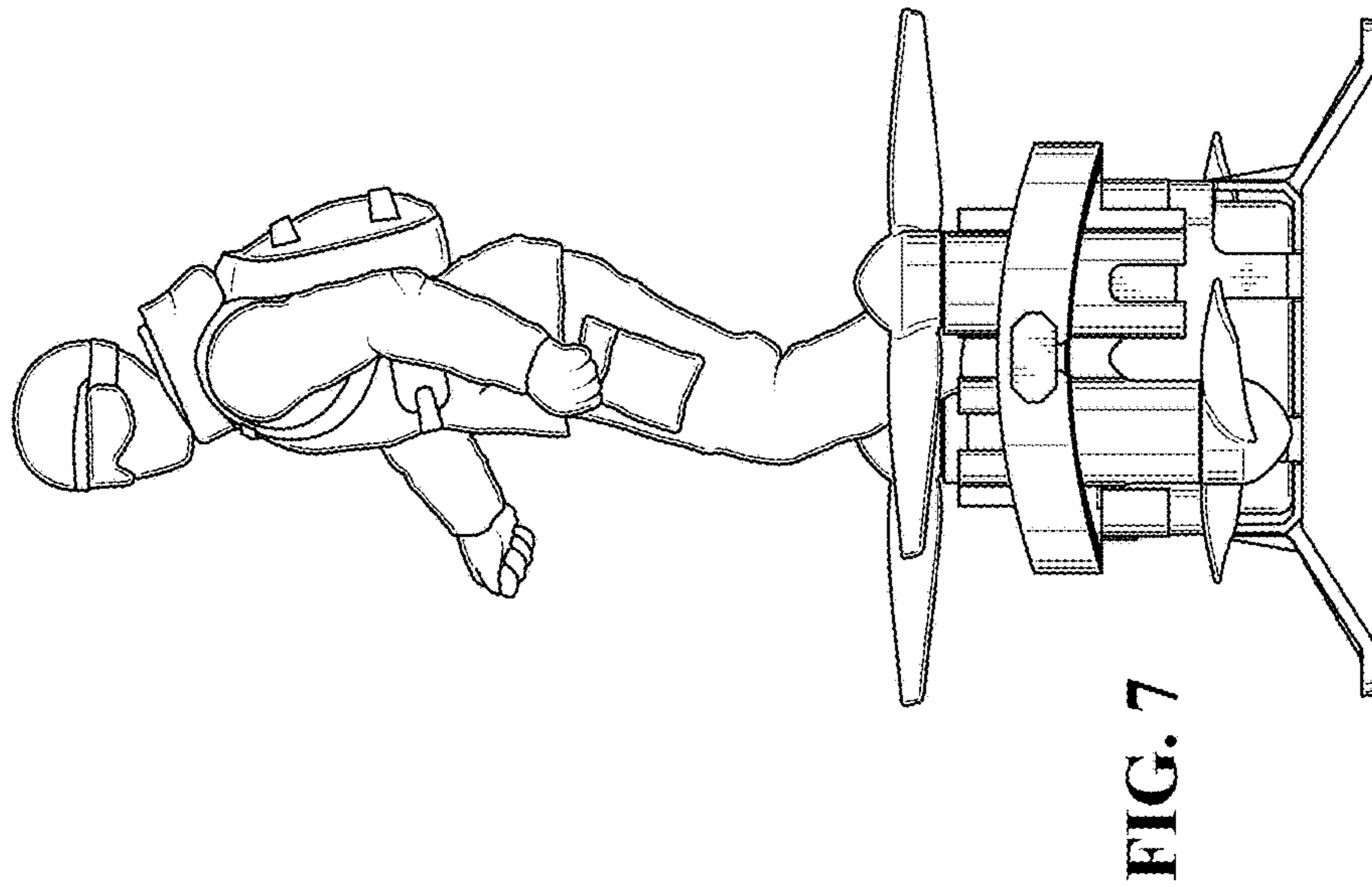
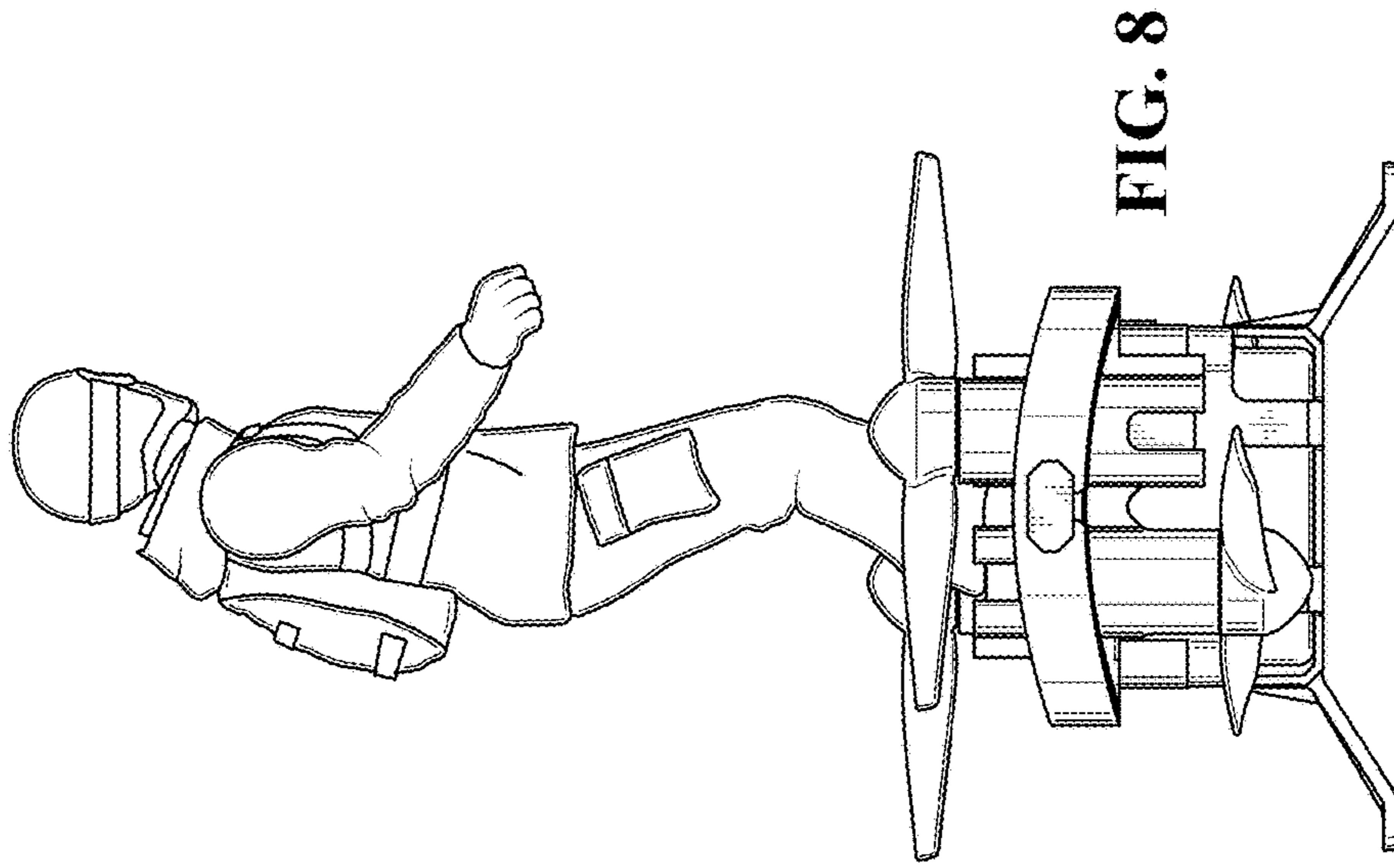


FIG. 6



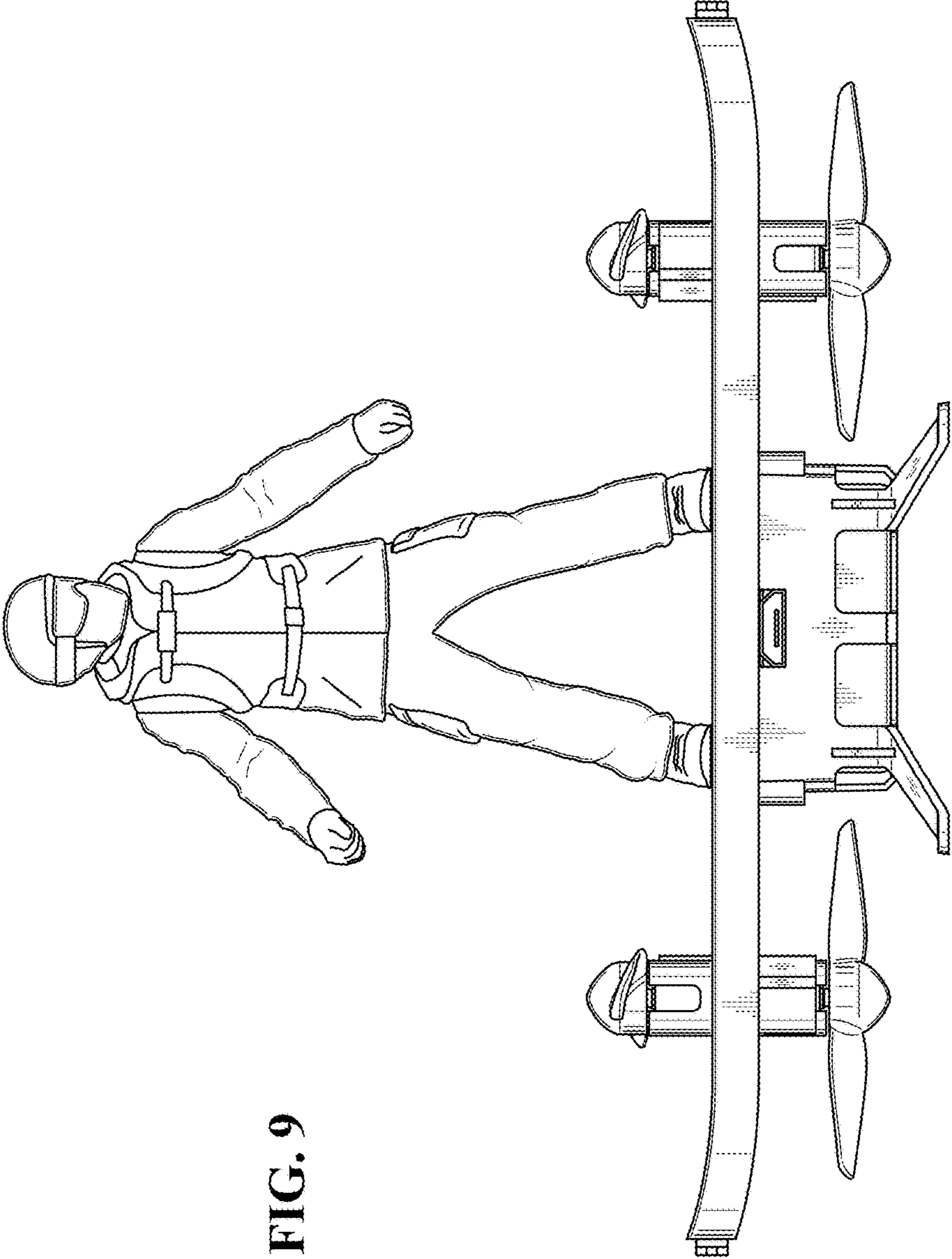


FIG. 9

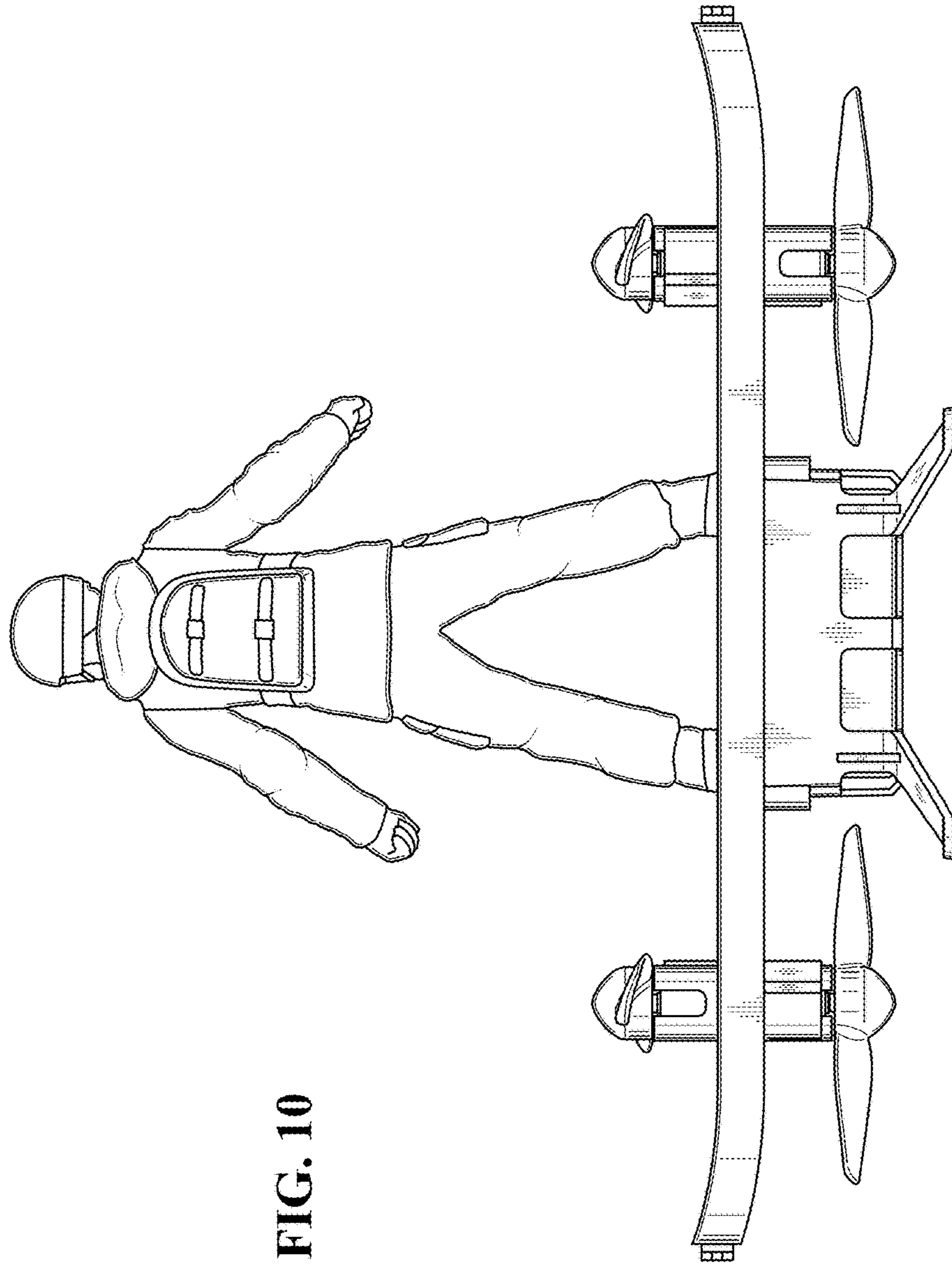


FIG. 10