



US00D846030S

(12) **United States Design Patent** (10) **Patent No.:** **US D846,030 S**
Brown (45) **Date of Patent:** **** Apr. 16, 2019**

(54) **DART PROJECTILE**
(71) Applicant: **Hasbro, Inc.**, Pawtucket, RI (US)
(72) Inventor: **Matthew Devin Brown**, Providence, RI (US)
(73) Assignee: **Hasbro, Inc.**, Pawtucket, RI (US)
(**) Term: **15 Years**

5,928,049 A 7/1999 Hudson
6,010,419 A 1/2000 Rappaport et al.
6,042,494 A 3/2000 Rappaport et al.
6,083,127 A * 7/2000 O'Shea A63H 33/18
446/213
6,159,117 A 12/2000 Chan
D437,620 S 2/2001 Smith et al.
6,186,071 B1 2/2001 Fry
(Continued)

(21) Appl. No.: **29/621,012**
(22) Filed: **Oct. 3, 2017**
(51) **LOC (11) Cl.** **21-01**
(52) **U.S. Cl.**
USPC **D21/387**
(58) **Field of Classification Search**
USPC D21/300, 334, 335, 363, 365, 370, 385,
D21/386, 387, 392, 397; D7/401.1;
D6/707.2, 707.24
CPC A63F 2001/001; A63F 2001/003; A63F
2001/005; A63F 2001/006; A63F 1/062;
A63F 1/067; A63F 1/08; A63F 1/10;
A63F 1/12; A63F 1/14; A63F 7/0017;
A63F 7/0023; A63F 9/20
See application file for complete search history.

(56) **References Cited**
U.S. PATENT DOCUMENTS
D33,153 S 11/1900 Cornell
2,125,591 A 8/1938 Smith
3,026,864 A 3/1962 Gray
3,108,395 A 10/1963 Goldfarb
D217,479 S 5/1970 Odette
3,801,102 A 4/1974 Lohr et al.
D253,663 S 12/1979 Cagan et al.
5,183,963 A * 2/1993 Beaufils F42B 12/78
102/501
5,273,293 A 12/1993 Lekavich
5,290,041 A 3/1994 Kettelson
5,830,091 A * 11/1998 Romanick A63B 15/005
473/596

OTHER PUBLICATIONS

Nerf Accustrike Series Officially Announced. Product review [online]. Blaster Hub, 2016 [retrieved on Sep. 8, 2017]. Retrieved from internet: <URL: https://www.blasterhub.com/2016/10/nerf-accustrike-series-officially-announced/>. (Year: 2016).

Primary Examiner — George D. Kirschbaum
Assistant Examiner — Joseph J Kukella
(74) *Attorney, Agent, or Firm* — Perry Hoffman

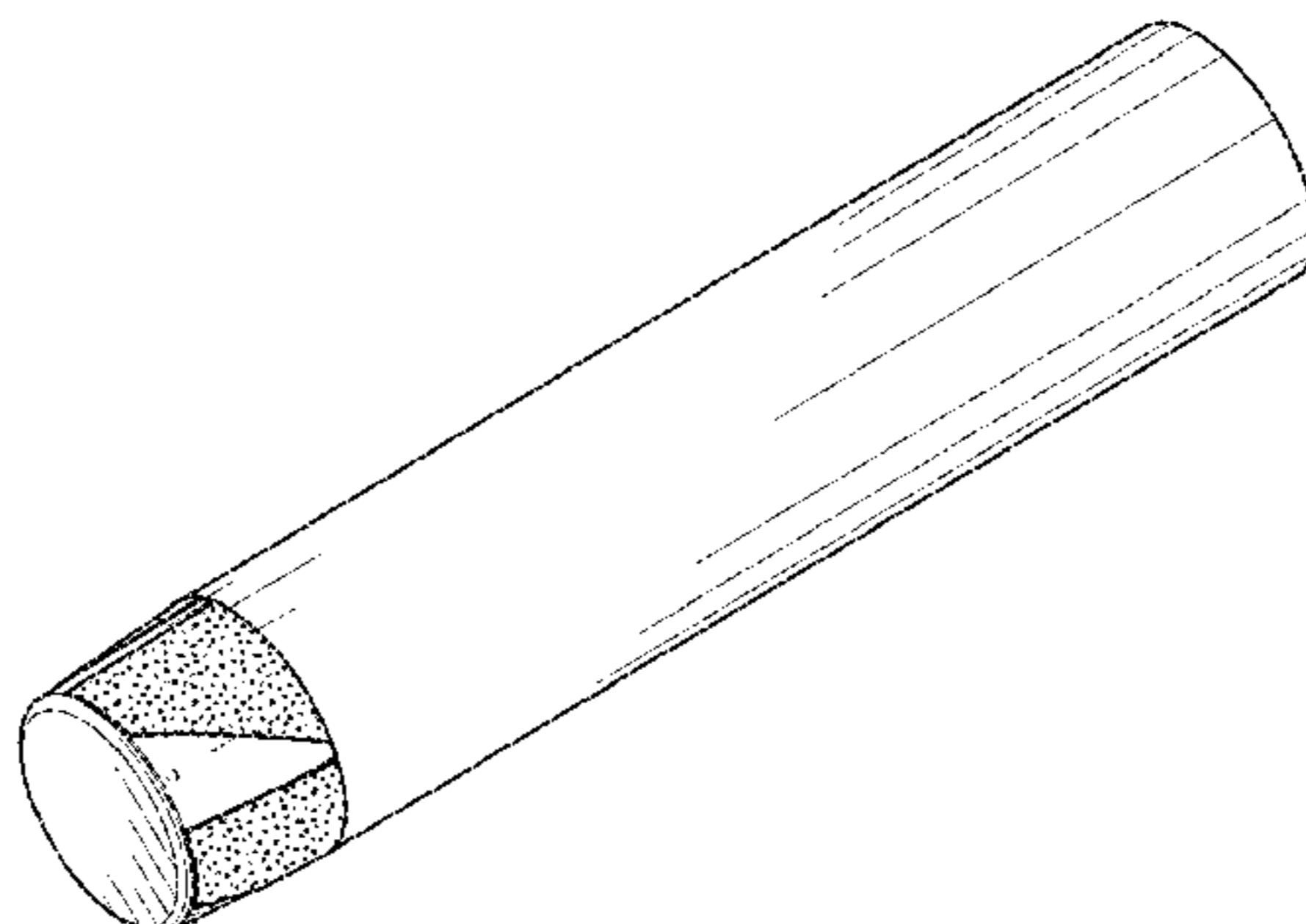
(57) **CLAIM**

The ornamental design for a dart projectile, as shown and described.

DESCRIPTION

FIG. 1 is a front perspective view of the dart projectile of the instant invention;
FIG. 2 is a rear perspective view of the dart projectile of the instant invention;
FIG. 3 is a right side elevational view thereof;
FIG. 4 is a left side elevational view thereof;
FIG. 5 is a front view thereof;
FIG. 6 is a rear view thereof;
FIG. 7 is a top view thereof; and,
FIG. 8 is a bottom view thereof.
The broken lines shown are included for the purpose of illustrating the unclaimed portions of the article and form no part of the claimed design.

1 Claim, 2 Drawing Sheets



(56)

References Cited

U.S. PATENT DOCUMENTS

6,595,880	B2	7/2003	Becker	
7,001,292	B1	2/2006	Rappaport	
7,775,918	B2	8/2010	Tsang	
7,874,947	B1	1/2011	Wolfenbarger et al.	
7,934,455	B2 *	5/2011	Winter	F42B 10/22 102/517
8,012,049	B1	9/2011	Walterscheid	
8,025,596	B2	9/2011	Klein	
8,075,579	B2	12/2011	Hamada	
8,449,413	B1	5/2013	Jackson et al.	
8,616,934	B1 *	12/2013	Kern	A63H 37/00 446/400
8,617,010	B2	12/2013	Marshall, Jr.	
8,939,136	B2 *	1/2015	Gaus	F41F 7/00 124/4
8,968,126	B2 *	3/2015	Chia	F42B 6/08 473/578
D733,806	S *	7/2015	Hedeen, Jr.	D21/567
9,120,026	B2 *	9/2015	Hedeen, Jr.	A63H 11/06
9,261,336	B2	2/2016	Chang et al.	
9,285,194	B2 *	3/2016	Chia	F42B 12/34
D791,246	S	7/2017	Foley	
D802,681	S *	11/2017	Falkowski, II	D21/387
10,018,452	B1 *	7/2018	Ma	F42B 6/003
10,030,950	B1 *	7/2018	Chia	F42B 6/08
2003/0153417	A1	8/2003	Barrie et al.	
2014/0087897	A1	3/2014	Nally	
2014/0274501	A1	9/2014	Chang et al.	

* cited by examiner

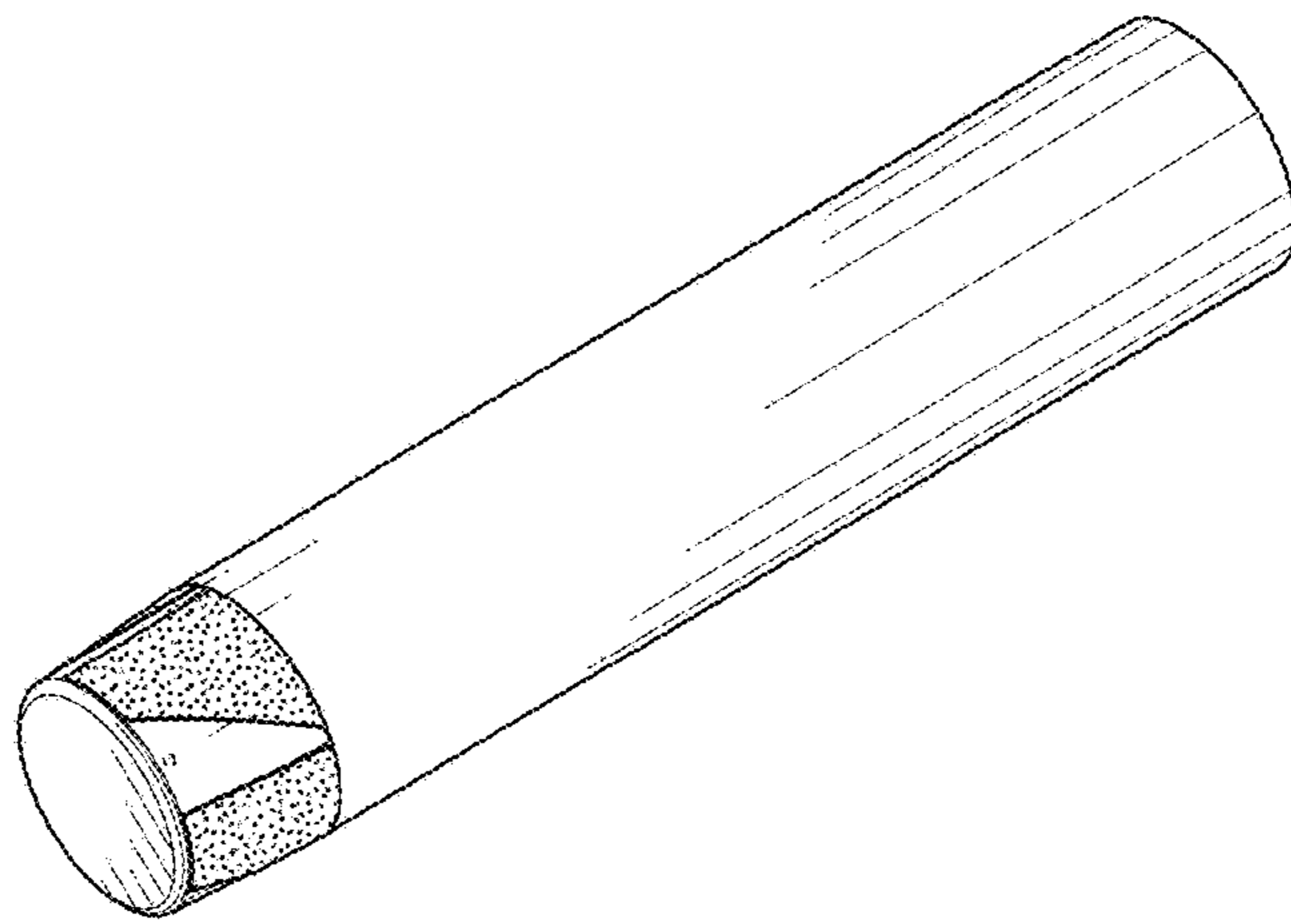


FIG. 1

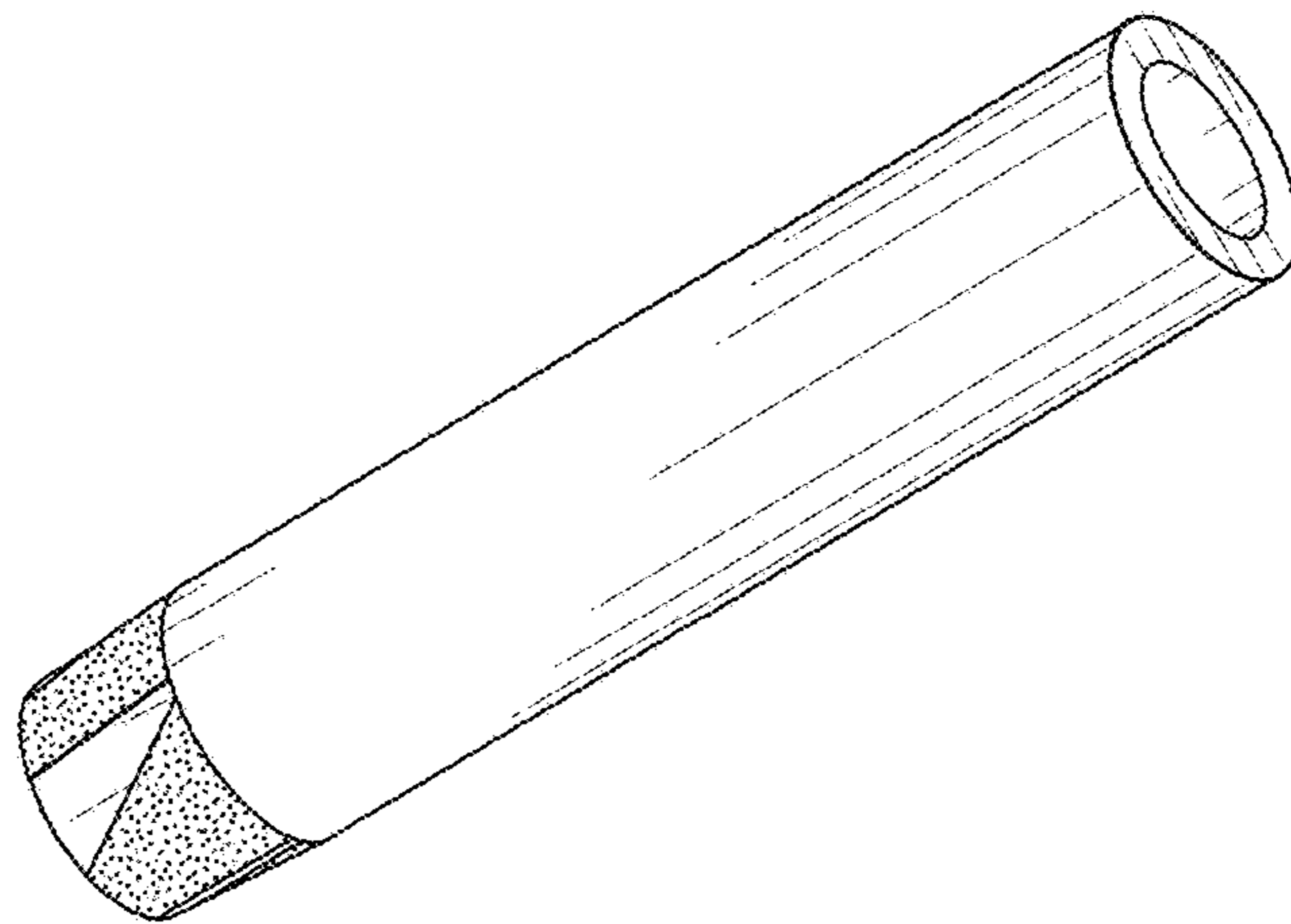


FIG. 2

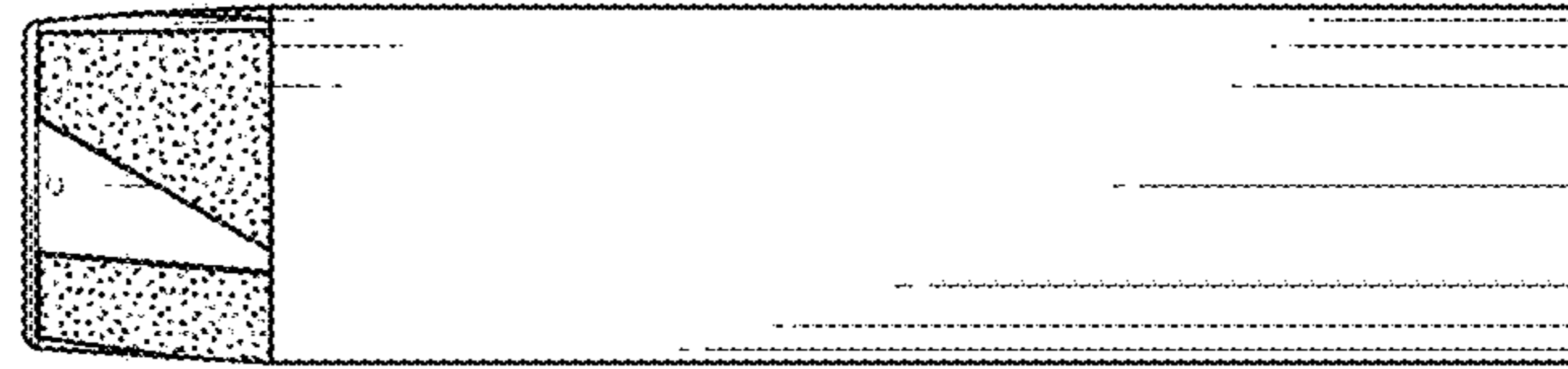


FIG. 3

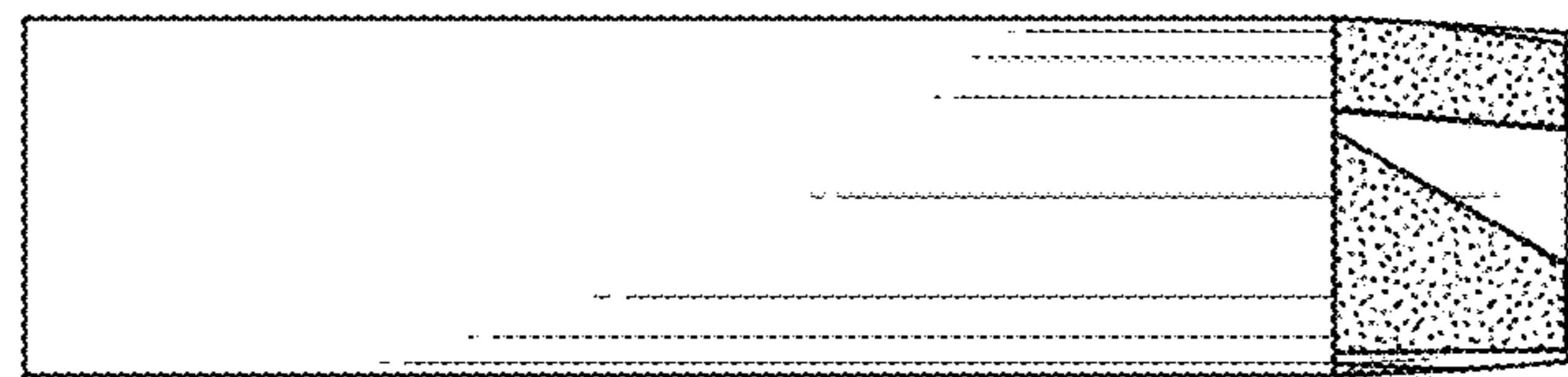


FIG. 4

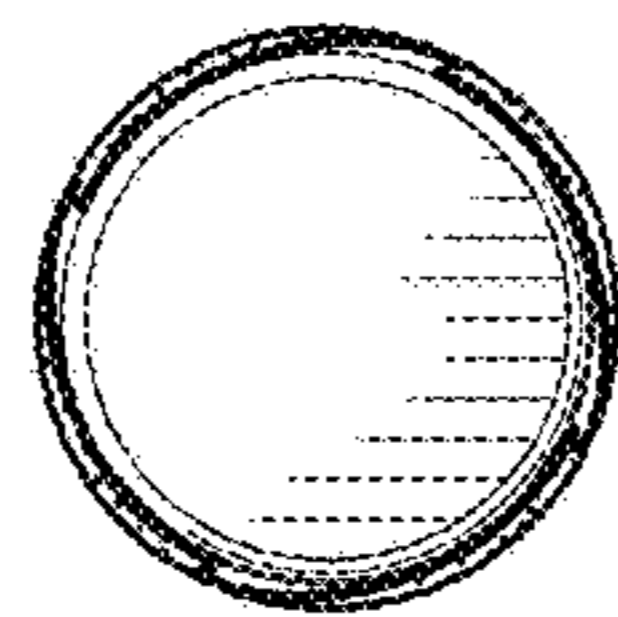


FIG. 5

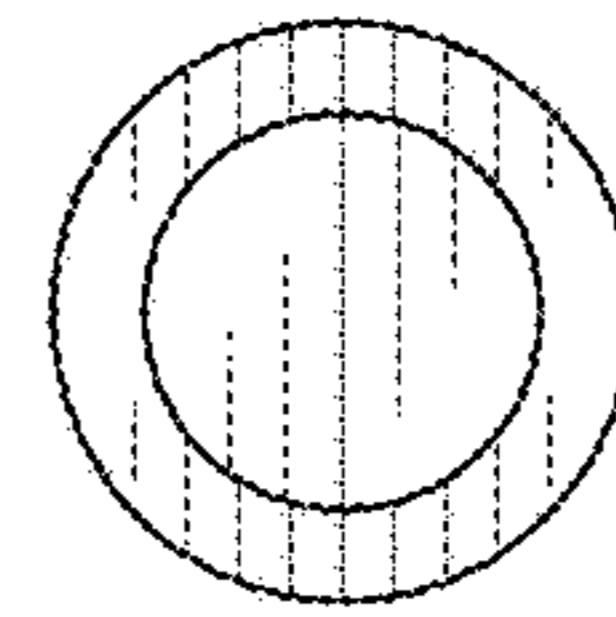


FIG. 6

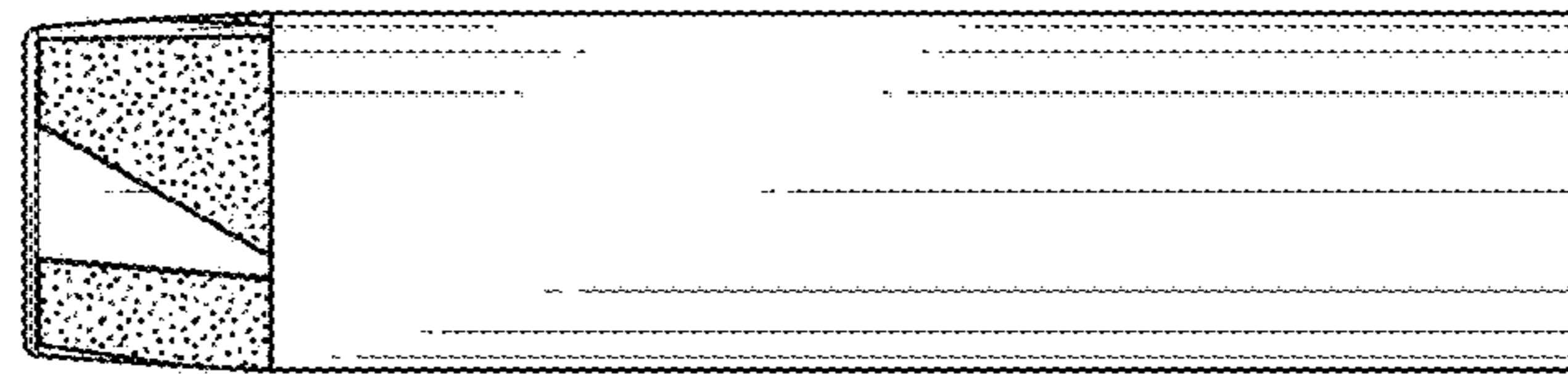


FIG. 7

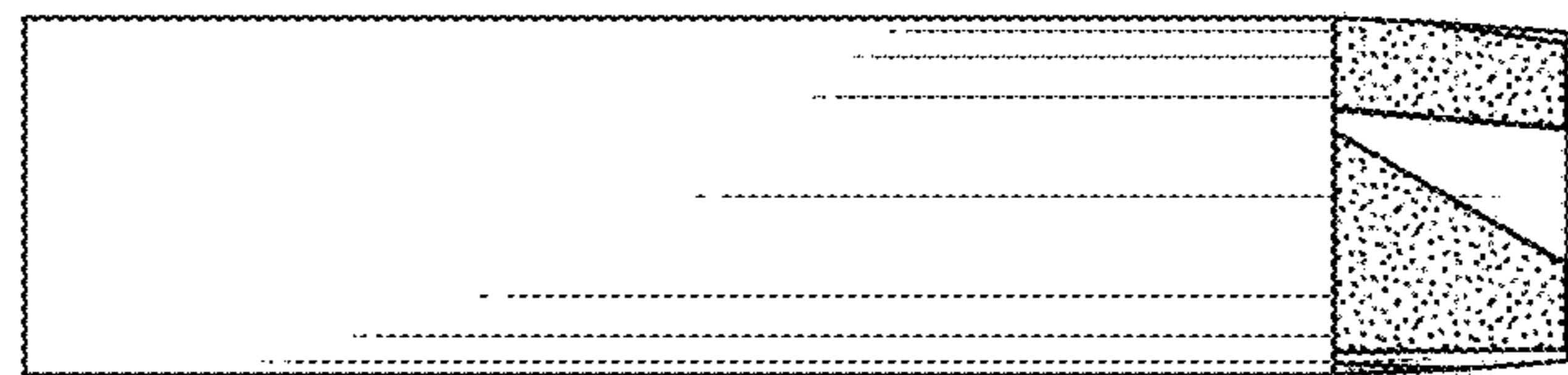


FIG. 8