



US00D846028S

(12) **United States Design Patent** (10) **Patent No.:** **US D846,028 S**
Svihilik (45) **Date of Patent:** **** Apr. 16, 2019**

(54) **PICTURE DISPLAY PANEL**

D750,173 S * 2/2016 Chen D20/10
D763,965 S * 8/2016 Mukaide D20/42
D784,593 S * 4/2017 Ambrozus D26/74

(71) Applicant: **American Direct Sales, LLC,**
Merrillville, IN (US)

(72) Inventor: **Jeffrey A. Svihilik,** Merrillville, IN
(US)

(**) Term: **15 Years**

(21) Appl. No.: **29/641,819**

(22) Filed: **Mar. 26, 2018**

(51) **LOC (11) Cl.** **20-03**

(52) **U.S. Cl.**
USPC **D20/42**

(58) **Field of Classification Search**
USPC D20/10, 19, 21, 22, 25, 27, 28, 37, 40,
D20/42, 43; D14/485-495; D6/301, 302
CPC G09F 1/00; G09F 1/02; G09F 1/04; G09F
1/06; G09F 1/08; G09F 9/00; G09F
13/00; G09F 2003/0264; G06F 3/0481;
G06F 3/04817; G06T 13/80; G06T 15/02;
H04N 1/00424

See application file for complete search history.

(56) **References Cited**

U.S. PATENT DOCUMENTS

D313,431 S * 1/1991 Jaskiel, Jr. D14/126
D410,254 S * 5/1999 Pieroth D20/12
D430,901 S * 9/2000 Palmer D20/10
D515,629 S * 2/2006 Nudo, Jr. D20/10
D637,651 S * 5/2011 Hase D20/42
D670,764 S * 11/2012 Han D20/19
D678,420 S * 3/2013 Keyvanloo D20/43
D701,269 S * 3/2014 Nadeem D20/10
D714,389 S * 9/2014 Lee D20/42
D714,871 S * 10/2014 Dysart D20/10

OTHER PUBLICATIONS

“Shutterfly Wood Wall Art and Master Bedroom Gallery Wall Sneak Peek!!” Found Online Dec. 31, 2018 at Tatertots and Jello. Page dated Jul. 29, 2013. Retrieved from: <https://tatertotsandjello.com/using-a-family-photo-as-a-focal-point-on-a-gallery-wall/#BkY1ztsJOkp6oKIU.99> (Year: 2013).*

* cited by examiner

Primary Examiner — George D. Kirschbaum

Assistant Examiner — Sloan Rozin

(74) *Attorney, Agent, or Firm* — Botkin & Hall, LLP

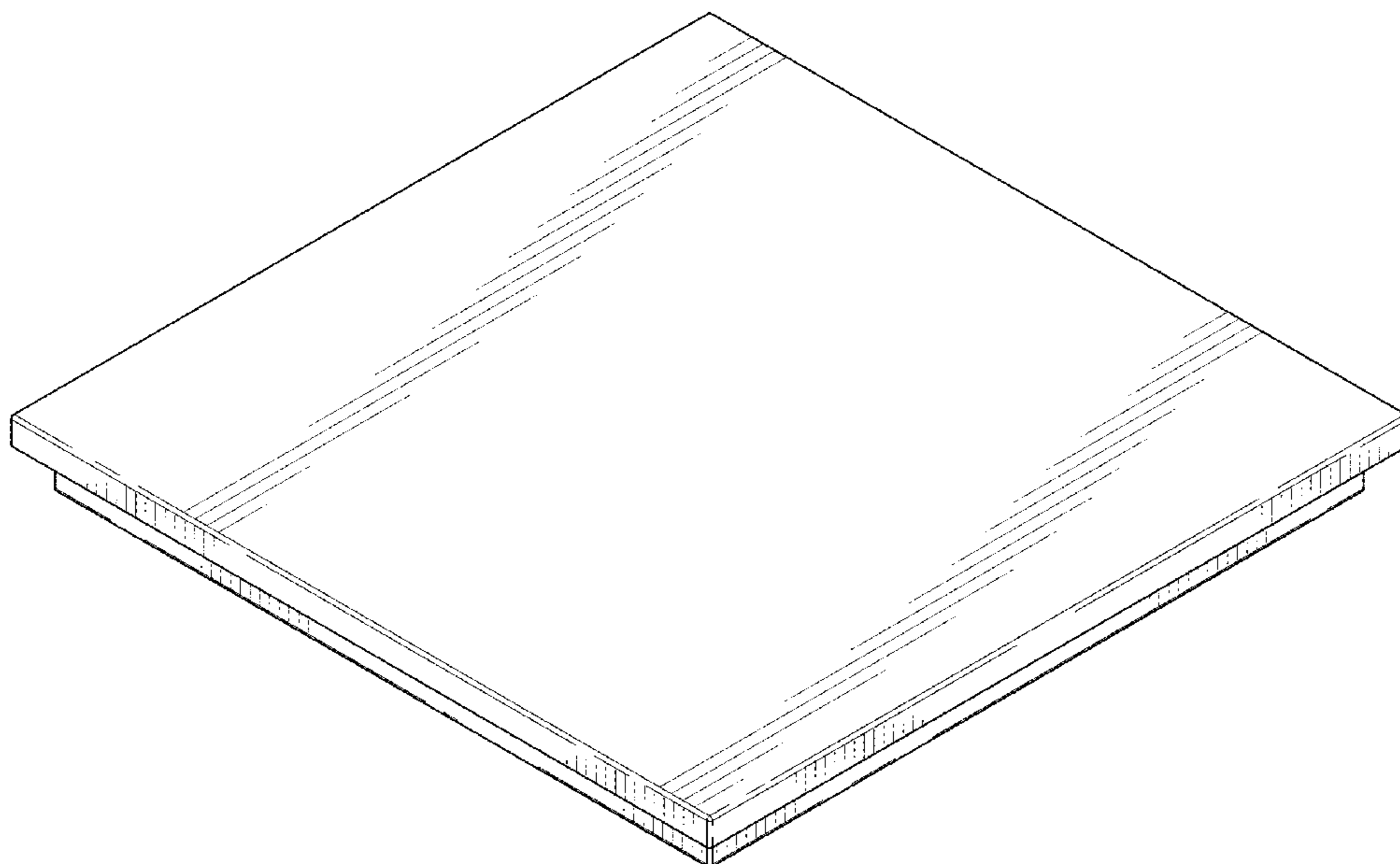
(57) **CLAIM**

The ornamental design for a picture display panel, as shown and described.

DESCRIPTION

FIG. 1 is a front isometric view of the picture display panel; FIG. 2 is a left side view of the picture display panel of FIG. 1; FIG. 3 is a right side view of the picture display panel of FIG. 1; FIG. 4 is a top view of the picture display panel of FIG. 1; FIG. 5 is a bottom view of the picture display panel of FIG. 1; FIG. 6 is a front view of the picture display panel of FIG. 1; FIG. 7 is a rear view of the picture display panel of FIG. 1; and, FIG. 8 is a rear isometric section view 8-8 of the picture display panel of FIG. 7. The broken lines depict portions of the picture display panel that form no part of the claimed design.

1 Claim, 6 Drawing Sheets



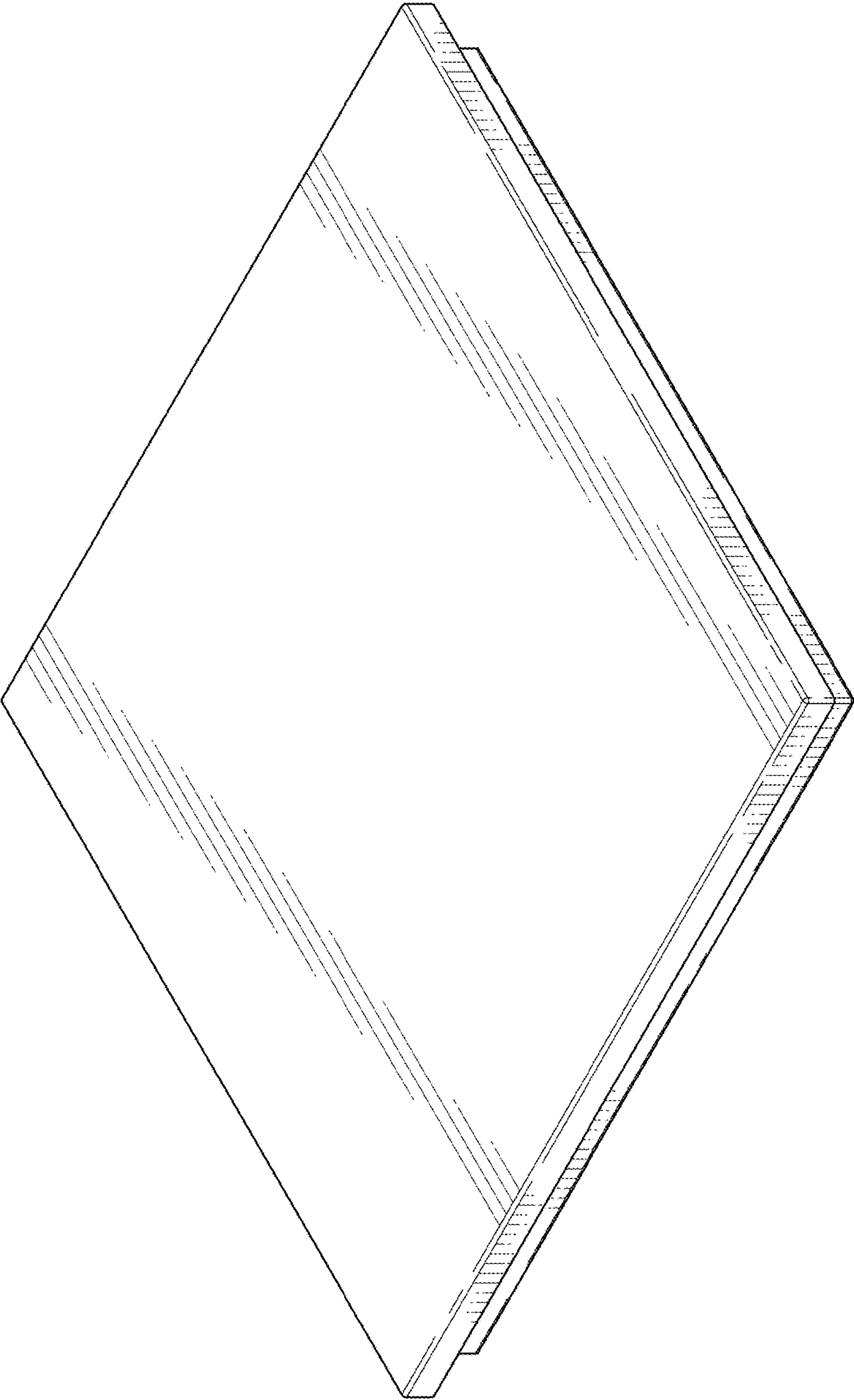


FIG. 1

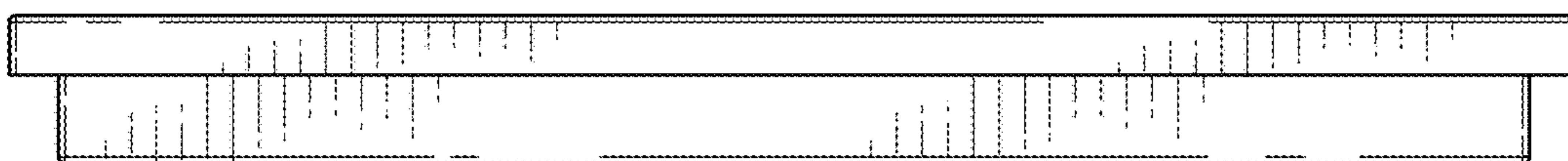


FIG. 2

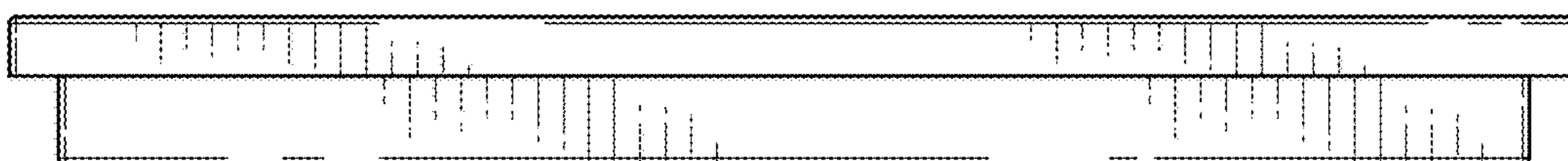


FIG. 3

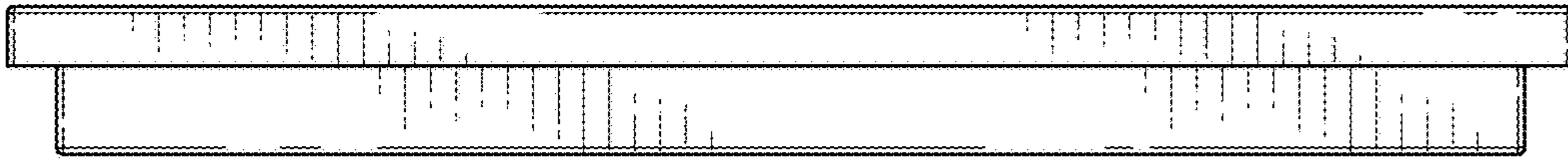


FIG. 4



FIG. 5

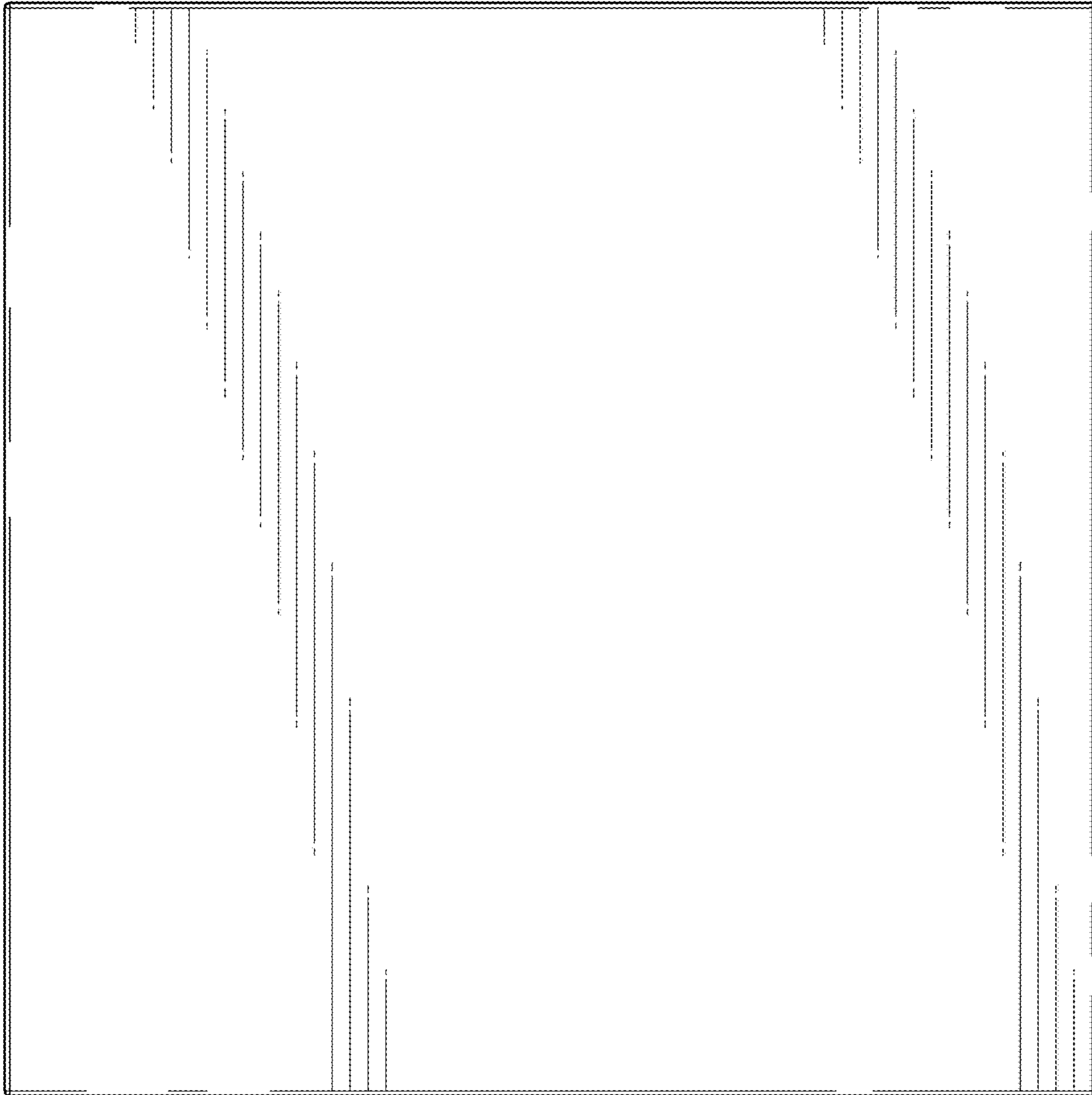


FIG. 6

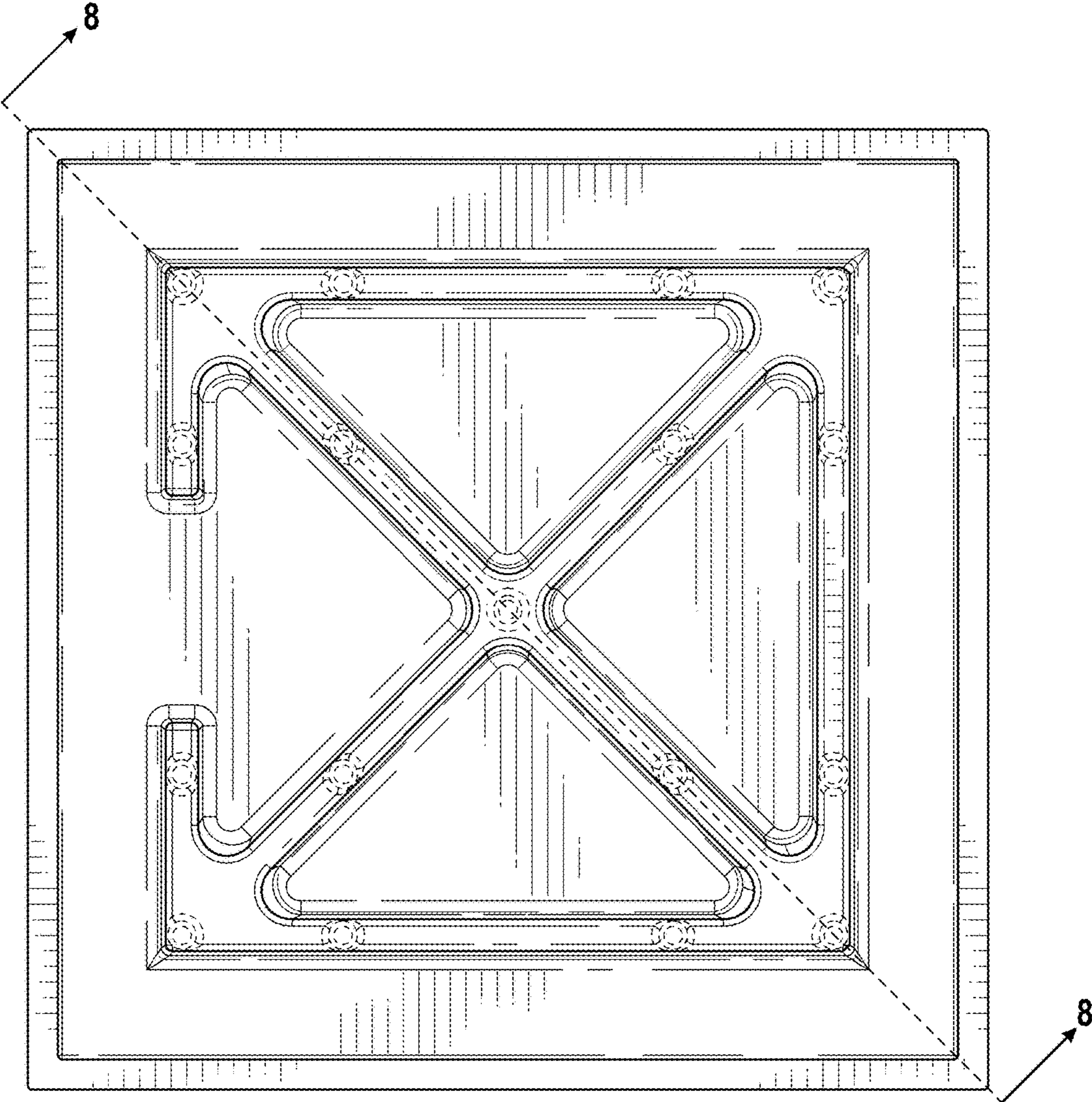


FIG. 7

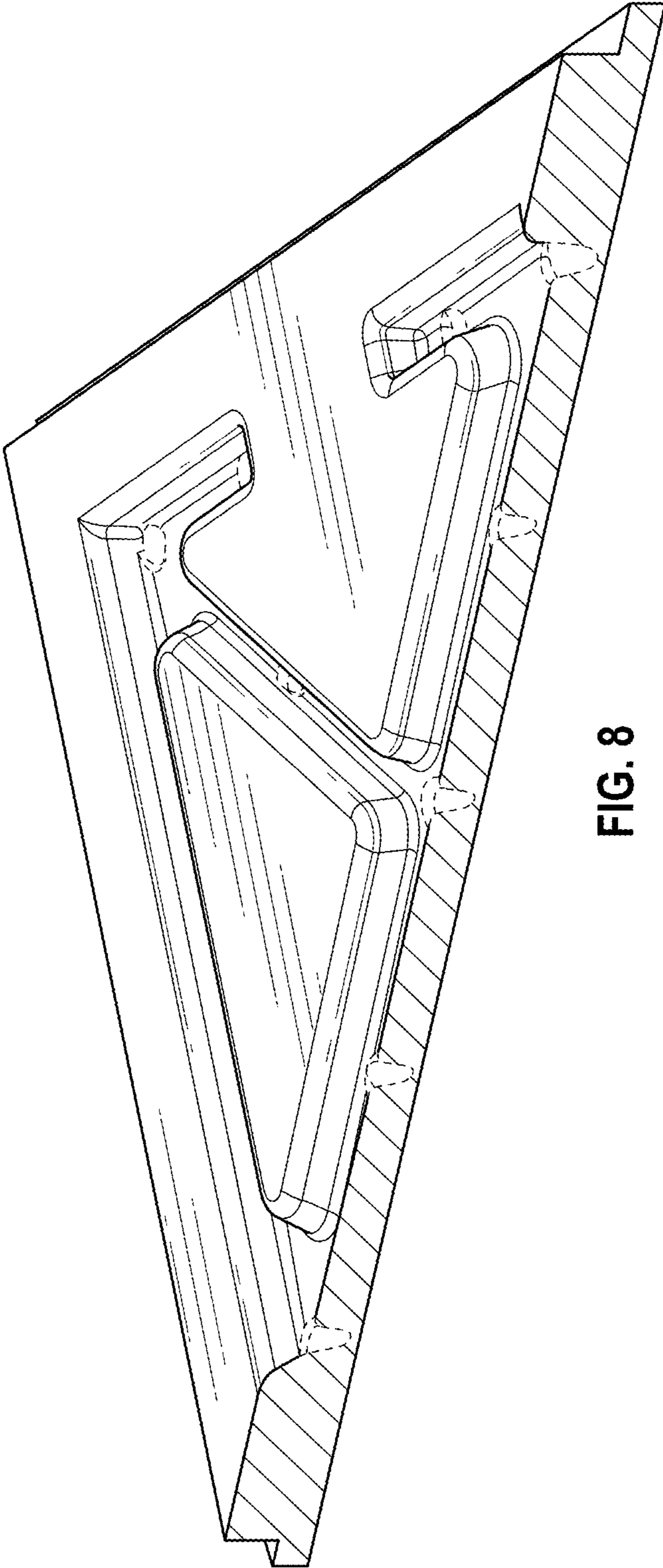


FIG. 8