



US00D846016S

(12) **United States Design Patent**  
**Iwasaki et al.**

(10) **Patent No.:** **US D846,016 S**  
(45) **Date of Patent:** **\*\* Apr. 16, 2019**

(54) **PRISM FOR 360-DEGREE PANORAMIC  
IMAGE PROJECTION**

(71) Applicant: **Panasonic Intellectual Property  
Management Co., Ltd.**, Osaka-shi,  
Osaka (JP)

(72) Inventors: **Minoru Iwasaki**, Tokyo (JP); **Atsushi  
Noda**, Tokyo (JP)

(73) Assignee: **PANASONIC INTELLECTUAL  
PROPERTY MANAGEMENT CO.,  
LTD.**, Oasaka (JP)

(\*\*) Term: **15 Years**

(21) Appl. No.: **29/636,451**

(22) Filed: **Feb. 8, 2018**

(30) **Foreign Application Priority Data**

Aug. 8, 2017 (JP) ..... 2017-017081

(51) **LOC (11) Cl.** ..... **16-06**

(52) **U.S. Cl.**  
USPC ..... **D16/137**

(58) **Field of Classification Search**  
USPC ..... D16/137, 135, 134, 138, 131, 132, 133,  
D16/139, 200, 202–205, 218, 219, 235,  
D16/242; D26/1, 2, 6, 65, 66, 68, 69, 72,  
D26/74, 76, 86, 87, 88  
CPC ..... F41G 1/02; F41G 1/06  
See application file for complete search history.

(56) **References Cited**

**U.S. PATENT DOCUMENTS**

D154,449 S \* 7/1949 Williams ..... D15/126  
D406,598 S 3/1999 Grijalva  
D609,223 S 2/2010 Pantaleone  
D620,635 S \* 7/2010 Chen ..... D26/124

8,029,163 B2 \* 10/2011 Chen ..... F21V 5/04  
362/308  
D651,228 S \* 12/2011 Lai ..... D16/134  
D651,630 S 1/2012 Lai et al.  
D662,530 S 6/2012 Lai et al.  
D662,956 S 7/2012 Lai et al.  
D698,070 S \* 1/2014 Messisaen ..... D26/74  
D753,746 S \* 4/2016 Yu ..... D16/134  
D759,873 S \* 6/2016 Saaranen ..... D26/74  
D771,172 S \* 11/2016 Huang ..... D16/134  
2011/0110098 A1 \* 5/2011 Fu ..... F21V 5/04  
362/308

(Continued)

*Primary Examiner* — Mark A Goodwin

*Assistant Examiner* — Benjamin M Weeks

(74) *Attorney, Agent, or Firm* — Brinks Gilson & Lione

(57) **CLAIM**

We claim the ornamental design for a prism for 360-degree panoramic image projection, as shown and described.

**DESCRIPTION**

FIG. 1 is a top perspective view showing a prism for 360-degree panoramic image projection of the present invention;

FIG. 2 is a bottom perspective view thereof;

FIG. 3 is a front view thereof;

FIG. 4 is a rear view thereof;

FIG. 5 is a first side view thereof;

FIG. 6 is a second side view thereof;

FIG. 7 is a top view thereof;

FIG. 8 is a bottom view thereof;

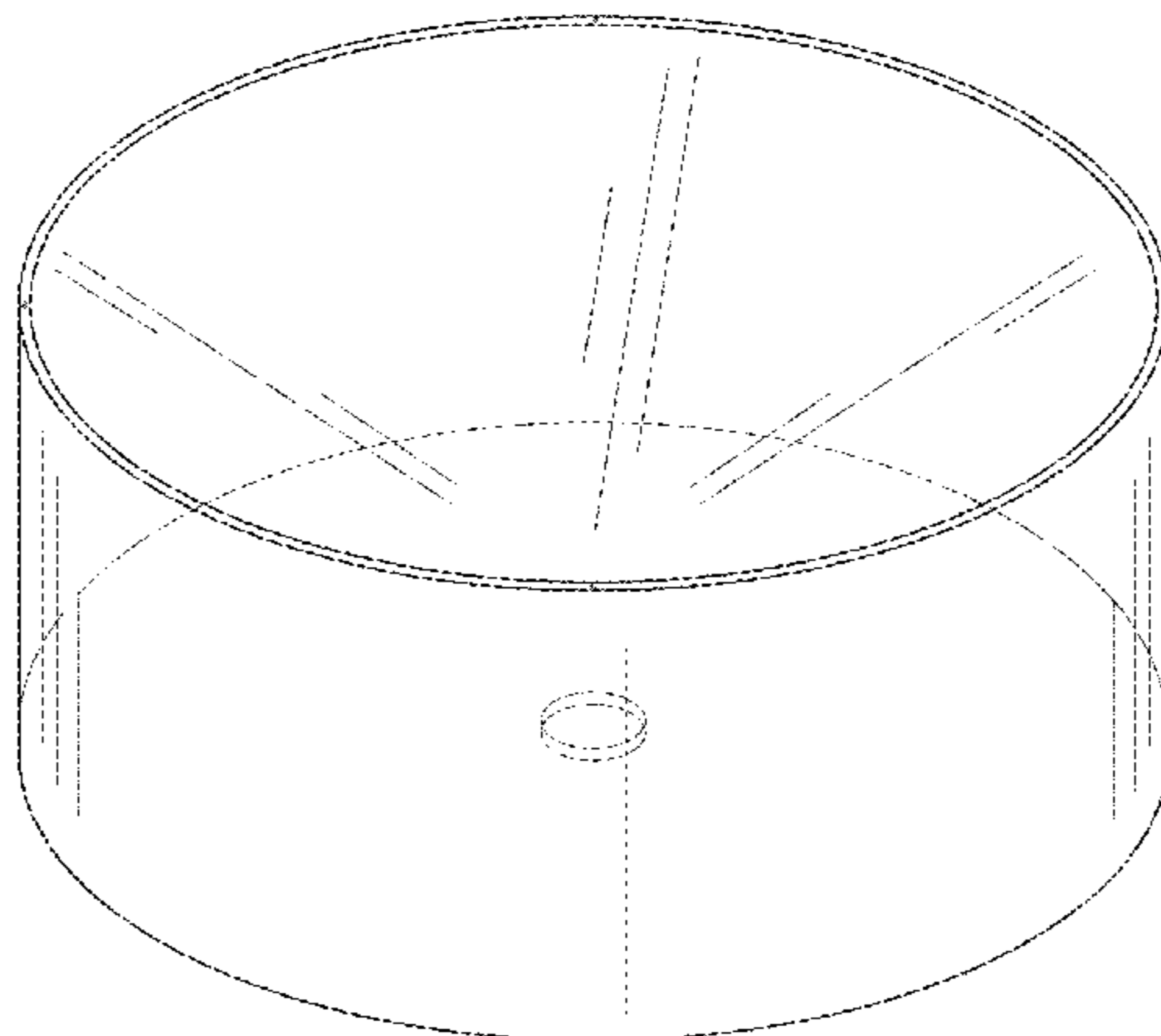
FIG. 9 is a cross-sectional view taken along lines 9-9 in FIG. 3;

FIG. 10 is a cross-sectional view taken along lines 10-10 in FIG. 9; and,

FIG. 11 is a cross-sectional view taken along lines 11-11 in FIG. 9.

The claimed design is directed to a transparent article.

**1 Claim, 11 Drawing Sheets**



(56)

**References Cited**

U.S. PATENT DOCUMENTS

2011/0157726 A1\* 6/2011 Chen ..... G02B 3/08  
359/742  
2012/0262921 A1\* 10/2012 Boomgaarden ..... F21S 8/026  
362/249.02  
2014/0191129 A1\* 7/2014 Jang ..... G01J 5/0022  
250/338.3

\* cited by examiner

FIG. 1

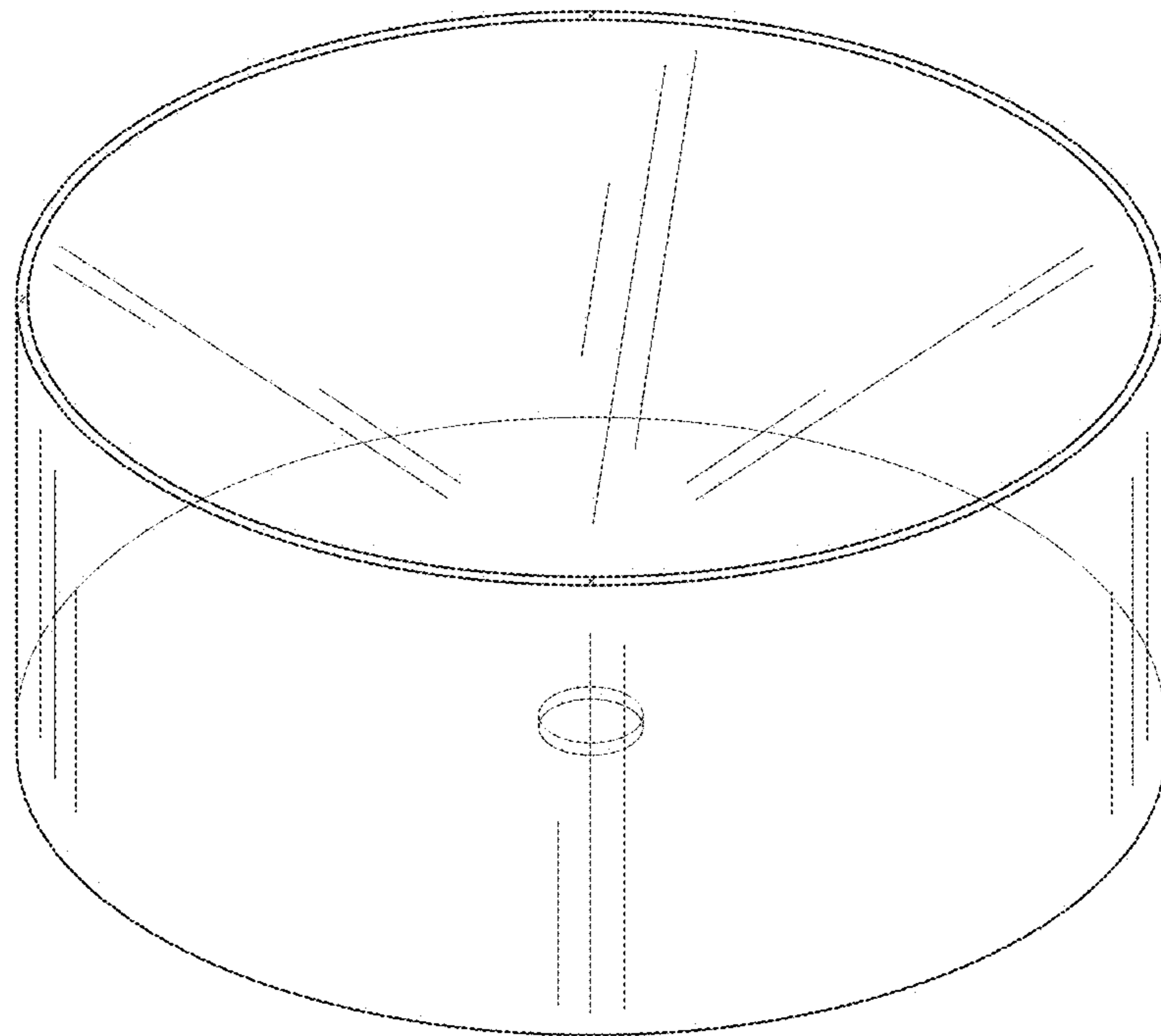


FIG. 2

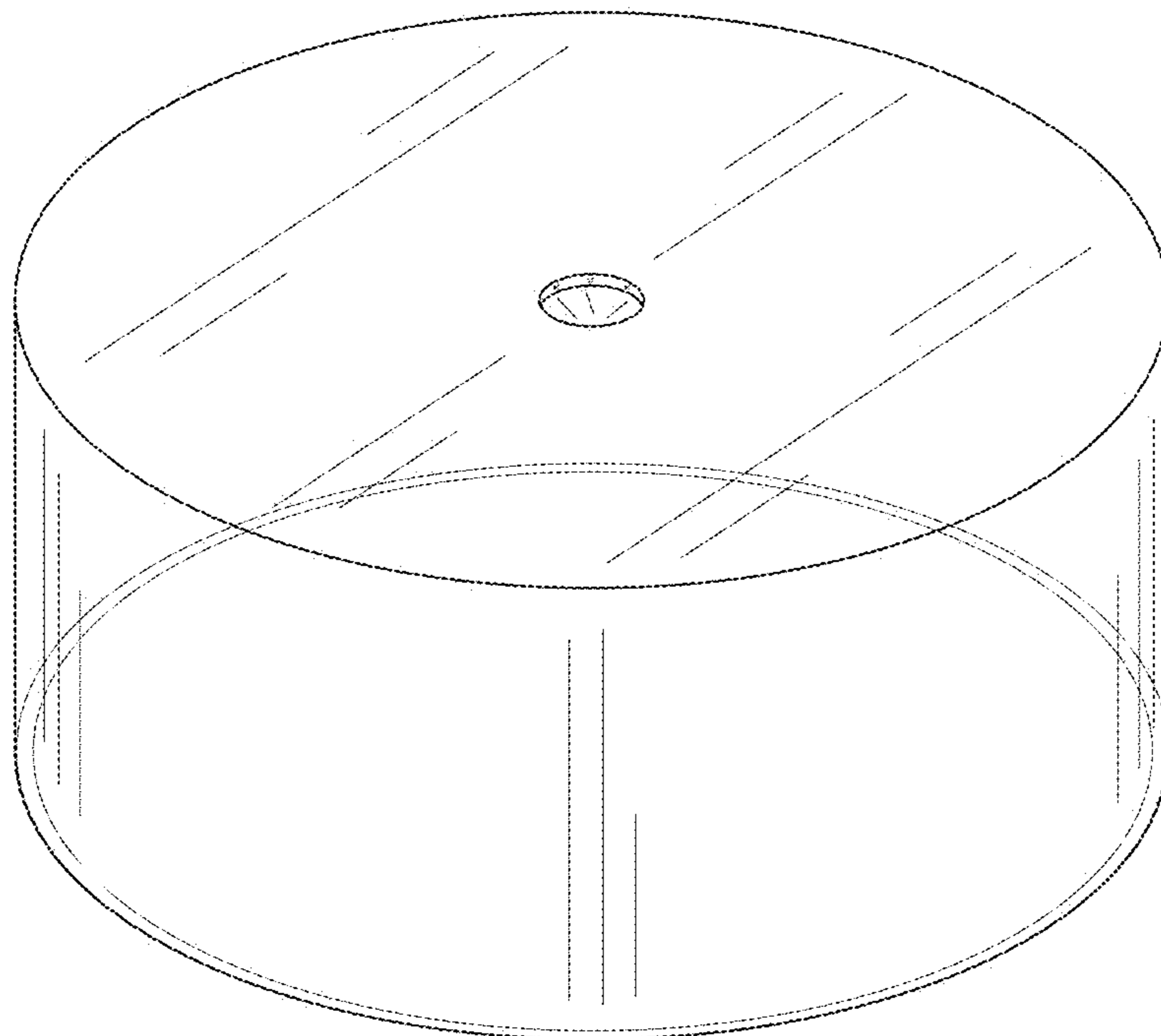


FIG. 3

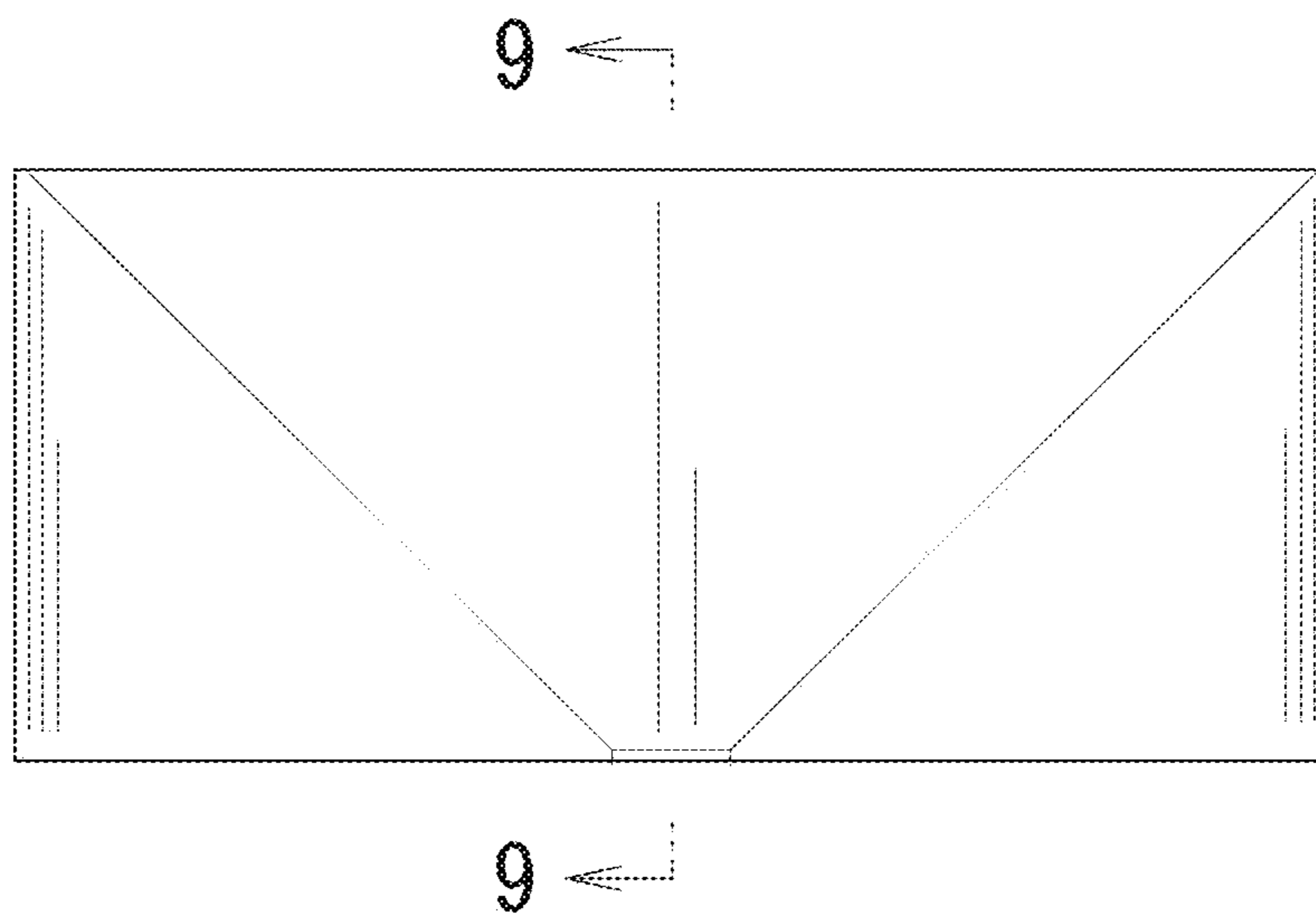


FIG. 4

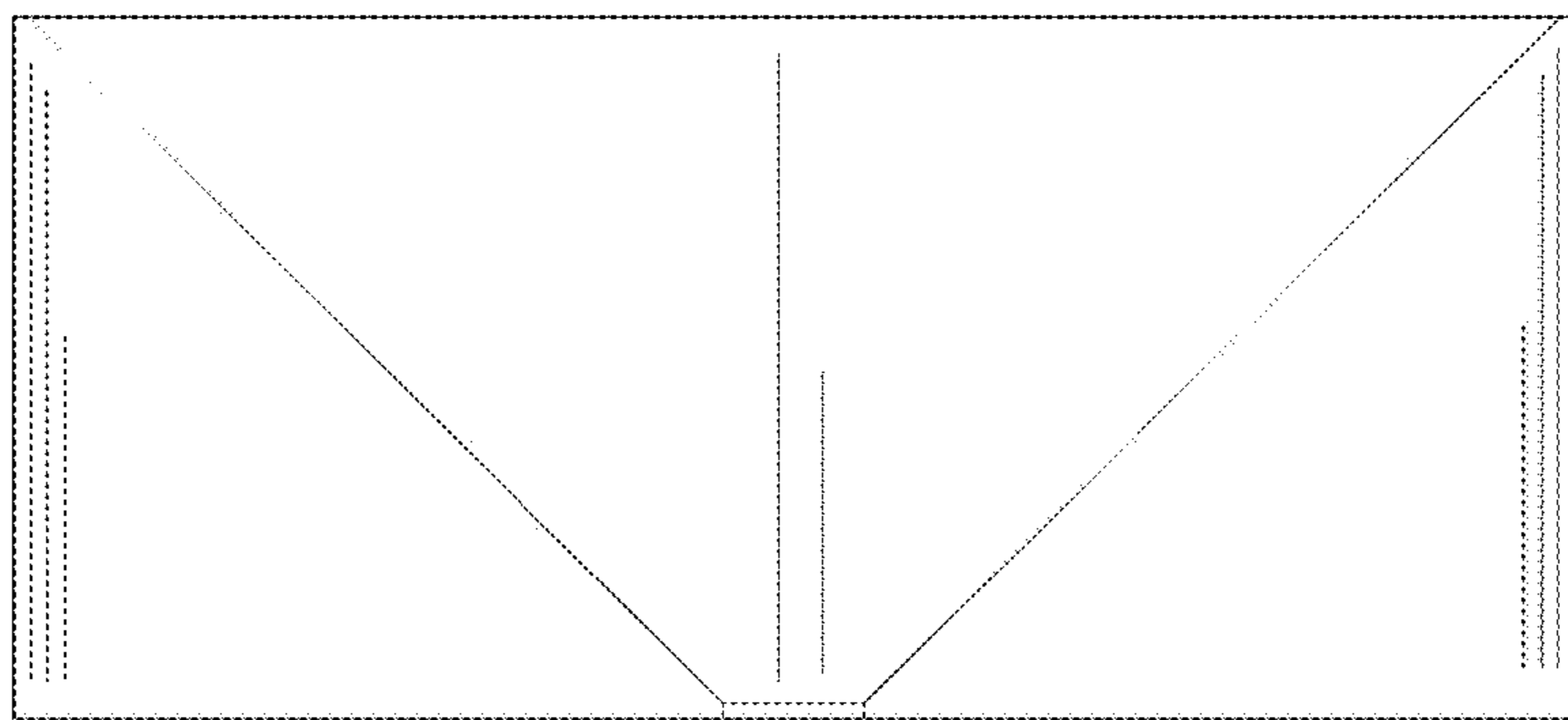


FIG. 5

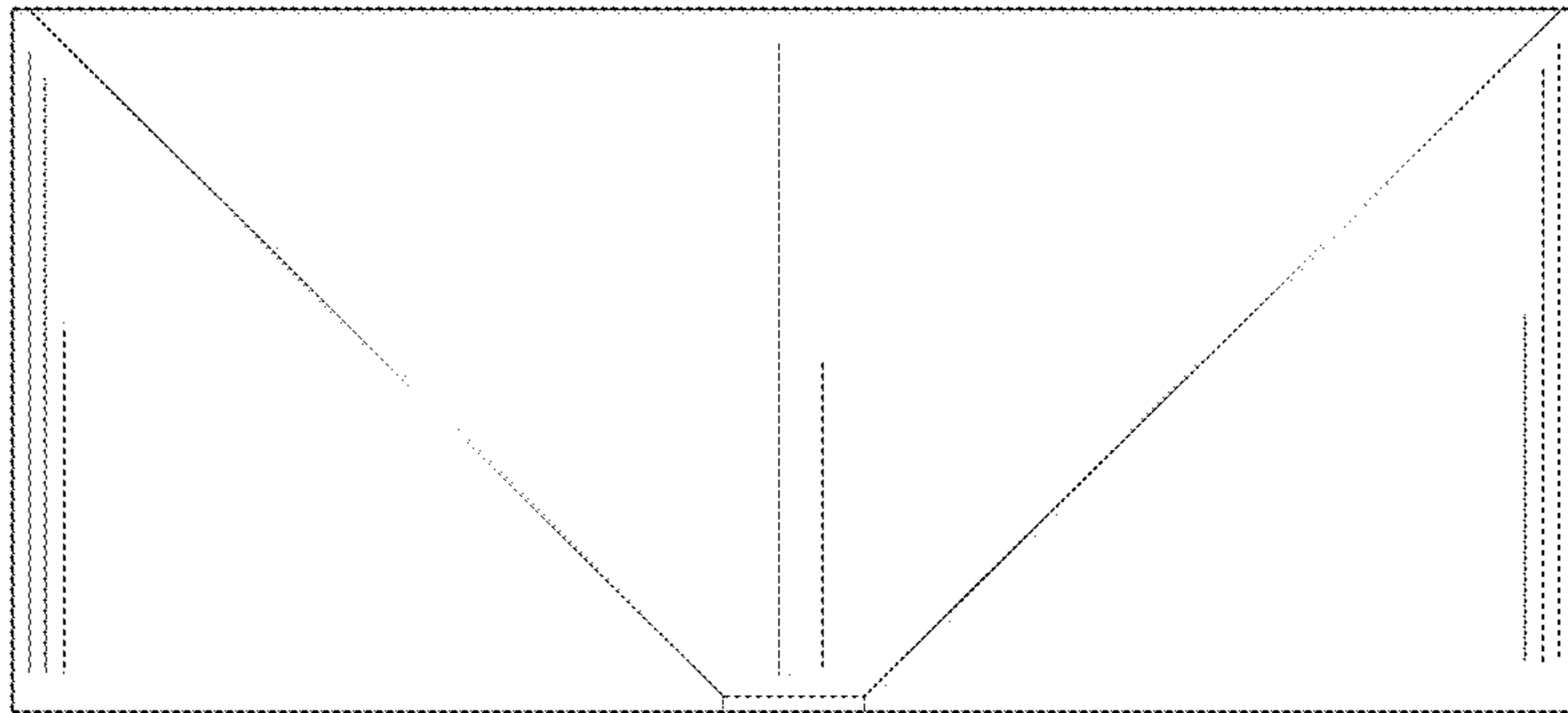


FIG. 6

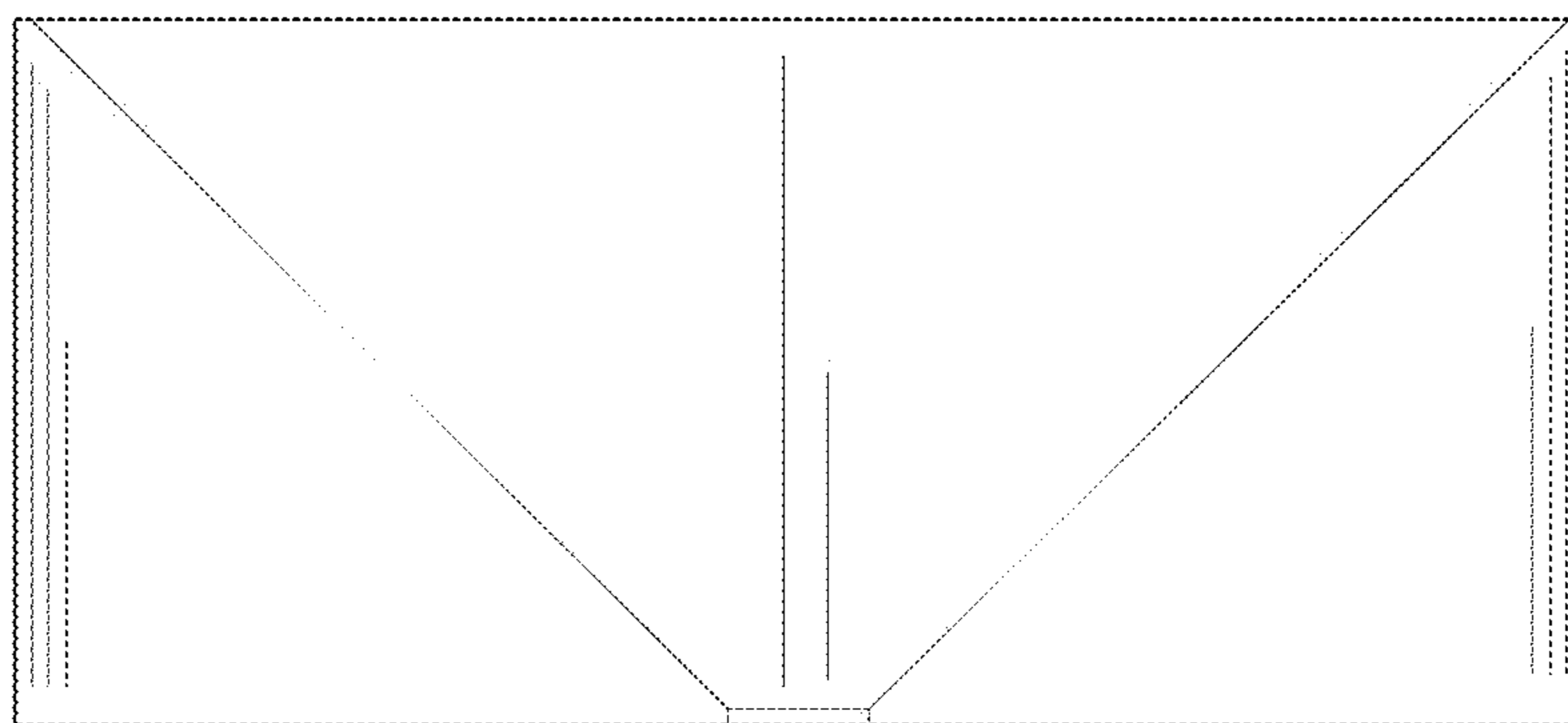




FIG. 7

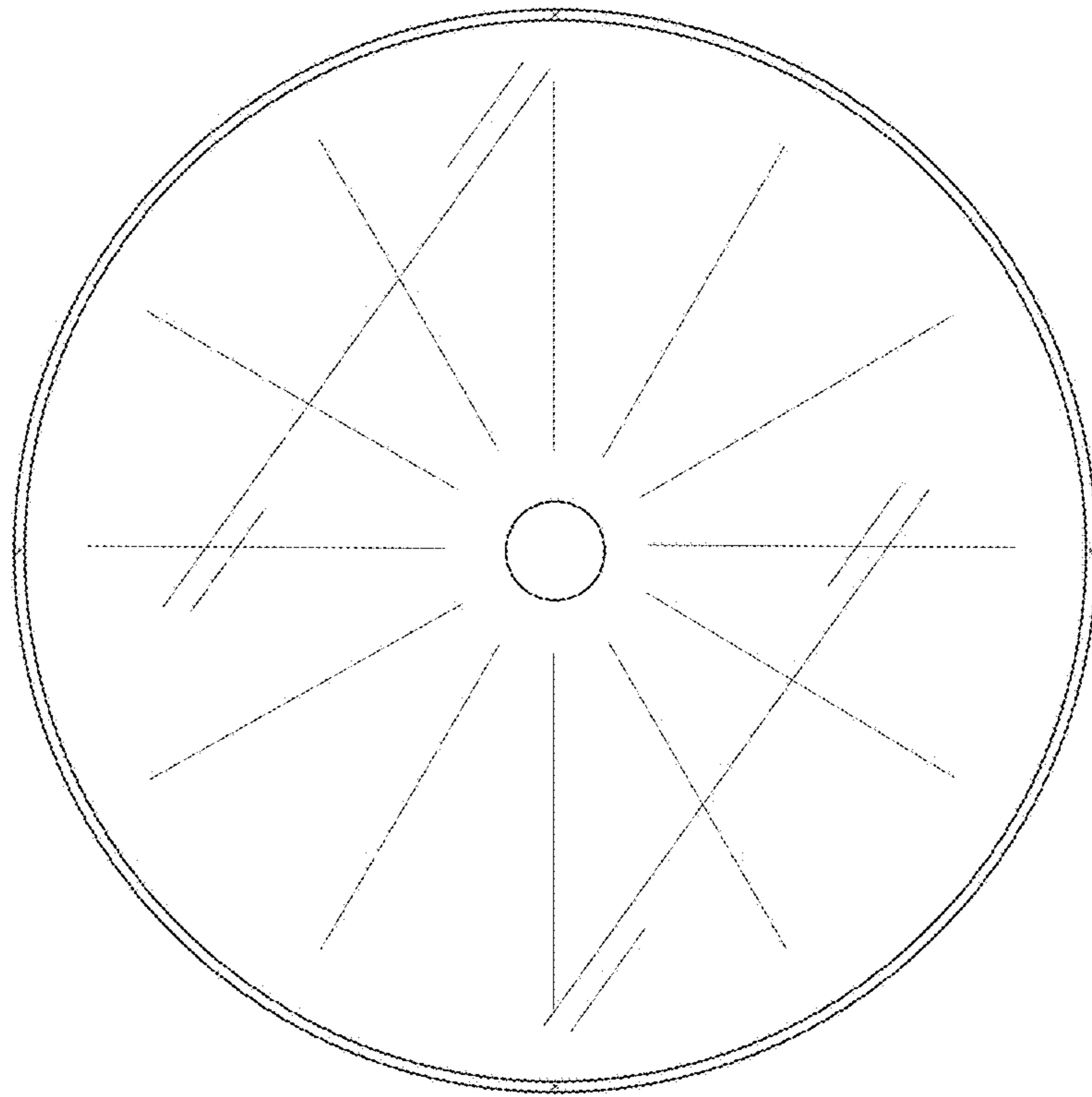


FIG. 8

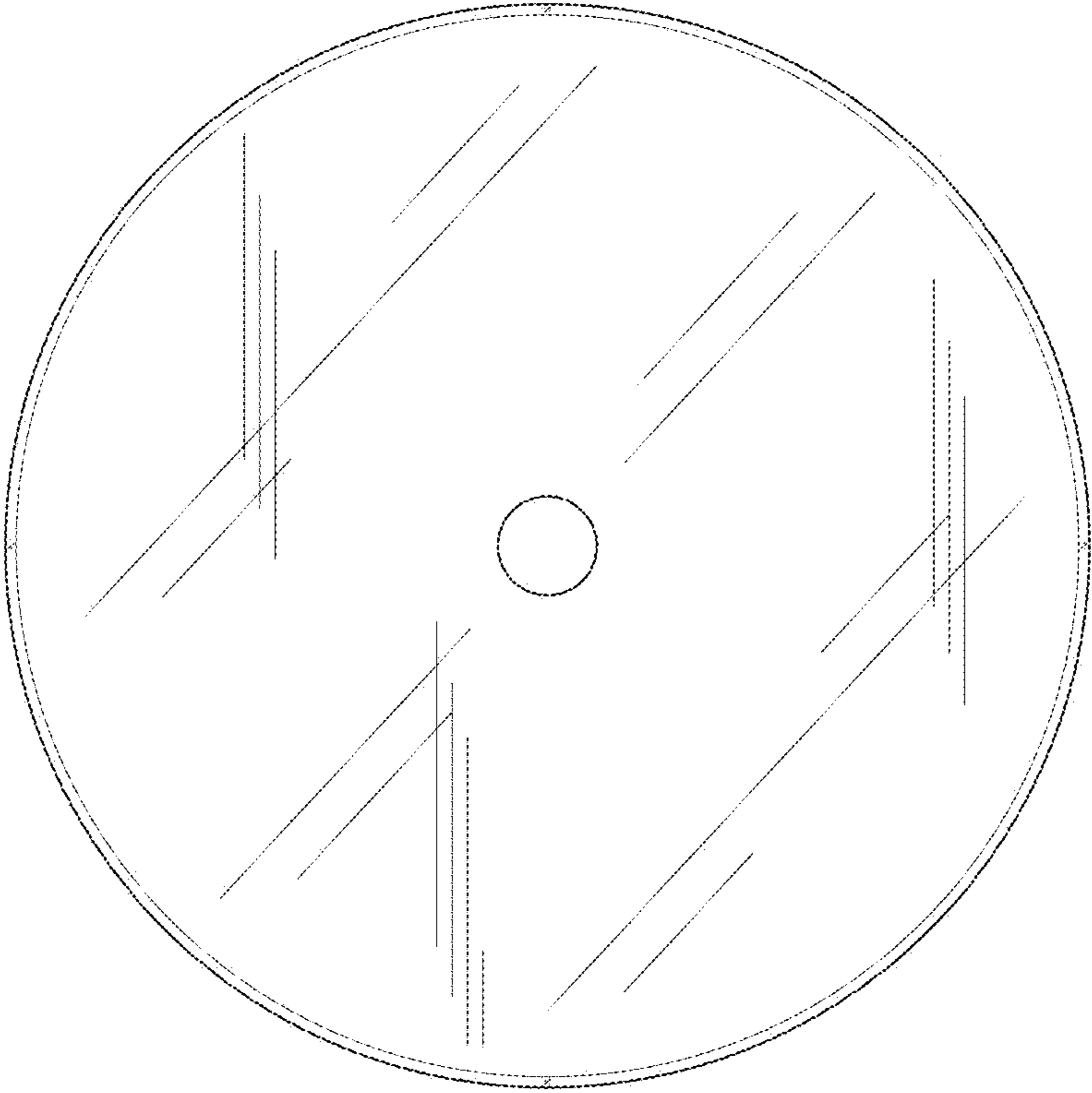


FIG. 9

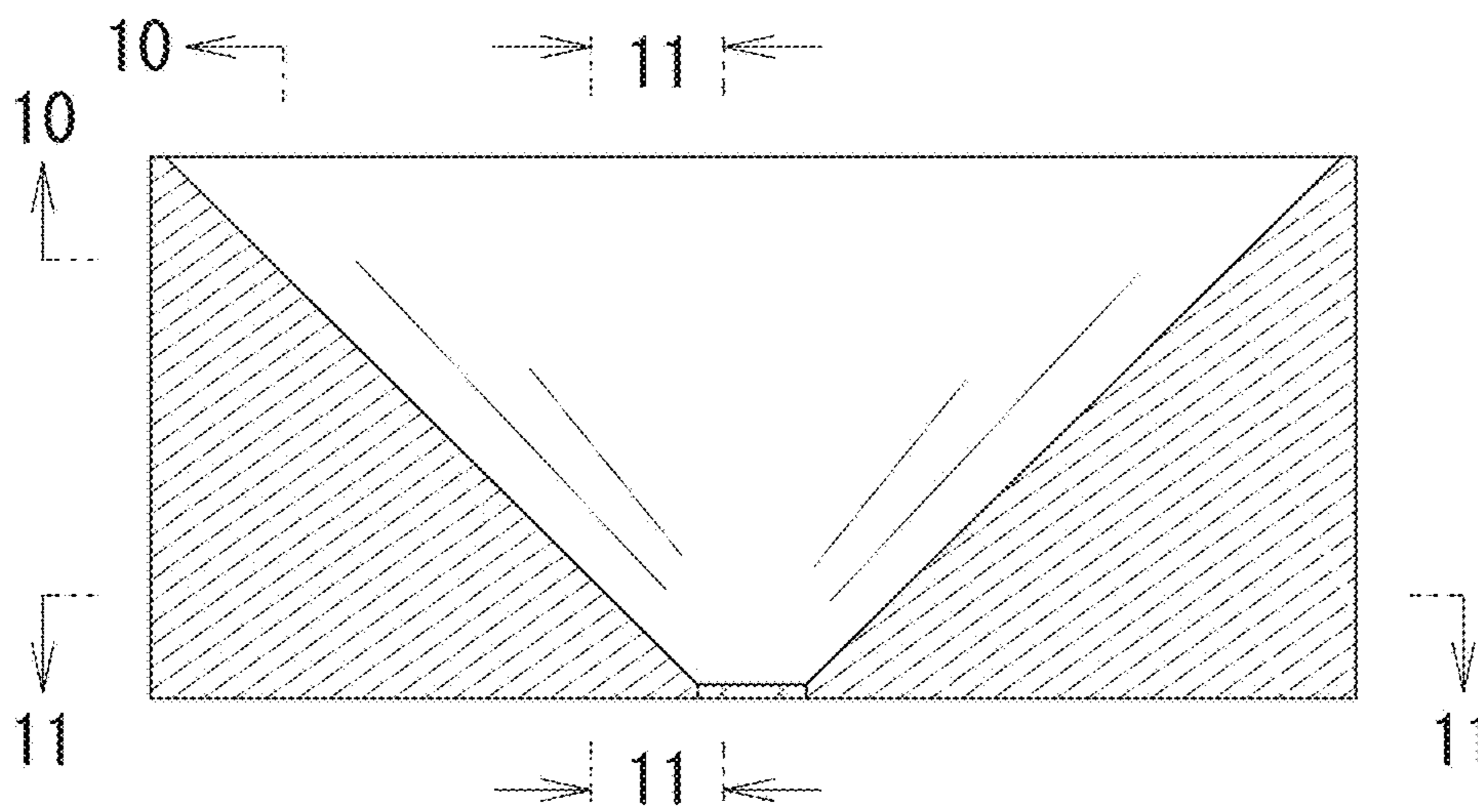


FIG. 10

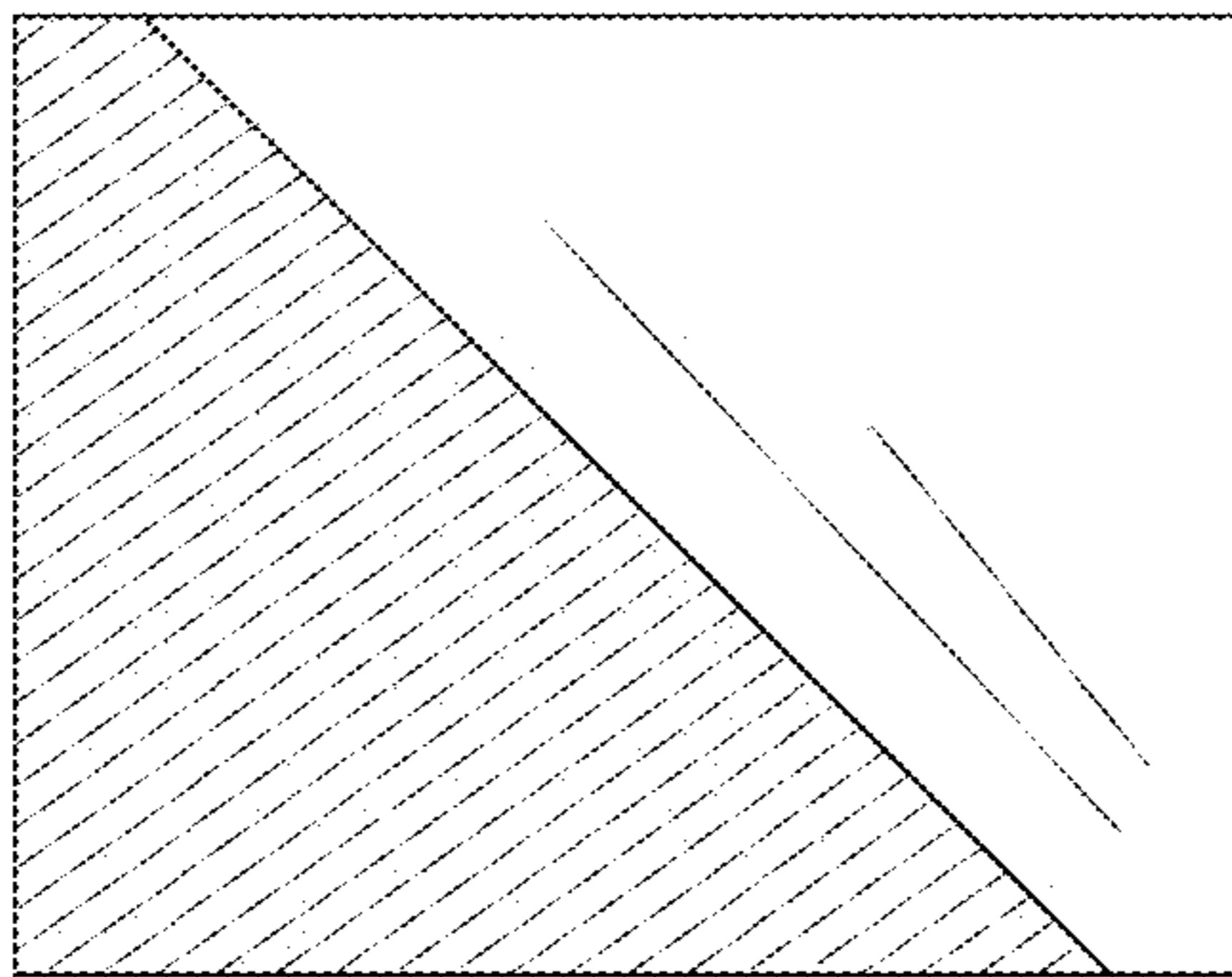


FIG. 11

