

US00D846014S

(12) **United States Design Patent** (10) **Patent No.:** **US D846,014 S**  
**Sakai** (45) **Date of Patent:** **\*\* Apr. 16, 2019**

- (54) **BINOCULARS**
- (71) Applicant: **FUJIFILM Corporation**, Tokyo (JP)
- (72) Inventor: **Hiroyuki Sakai**, Saitama (JP)
- (73) Assignee: **FUJIFILM Corporation**, Minato-Ku, Tokyo (JP)
- (\*\*) Term: **15 Years**
- (21) Appl. No.: **29/552,299**
- (22) Filed: **Jan. 21, 2016**
- (30) **Foreign Application Priority Data**
  - Jul. 22, 2015 (JP) ..... 2015-016381
  - Sep. 28, 2015 (JP) ..... 2015-021228
- (51) **LOC (11) Cl.** ..... **16-06**
- (52) **U.S. Cl.**
  - USPC ..... **D16/133**
- (58) **Field of Classification Search**
  - USPC ..... D3/136; D16/130, 132, 133, 136
  - CPC .... G02B 2027/0123; G02B 2027/0132; G02B 7/06; G02B 7/12; G02B 23/00; G02B 23/16; G02B 2027/0134; G02B 27/26; G02B 23/18

See application file for complete search history.

- D421,997 S \* 3/2000 Kawahata ..... D16/133
- D424,590 S \* 5/2000 Hashimoto ..... D16/133
- D427,220 S \* 6/2000 Lee ..... D16/133
- D428,031 S \* 7/2000 Inaba ..... D16/133
- D430,586 S \* 9/2000 Inaba ..... D16/133
- D457,541 S \* 5/2002 Hayashi ..... D16/133
- D473,247 S \* 4/2003 Koinuma ..... D16/133
- D502,718 S \* 3/2005 Matsushita ..... D16/133
- D508,253 S \* 8/2005 Hayamizu ..... D16/133
- D508,706 S \* 8/2005 Hayamizu ..... D16/133
- D522,033 S \* 5/2006 Kitera ..... D16/133
- D523,885 S \* 6/2006 Hayashi ..... D16/133
- D590,857 S \* 4/2009 Fujii ..... D16/133

(Continued)

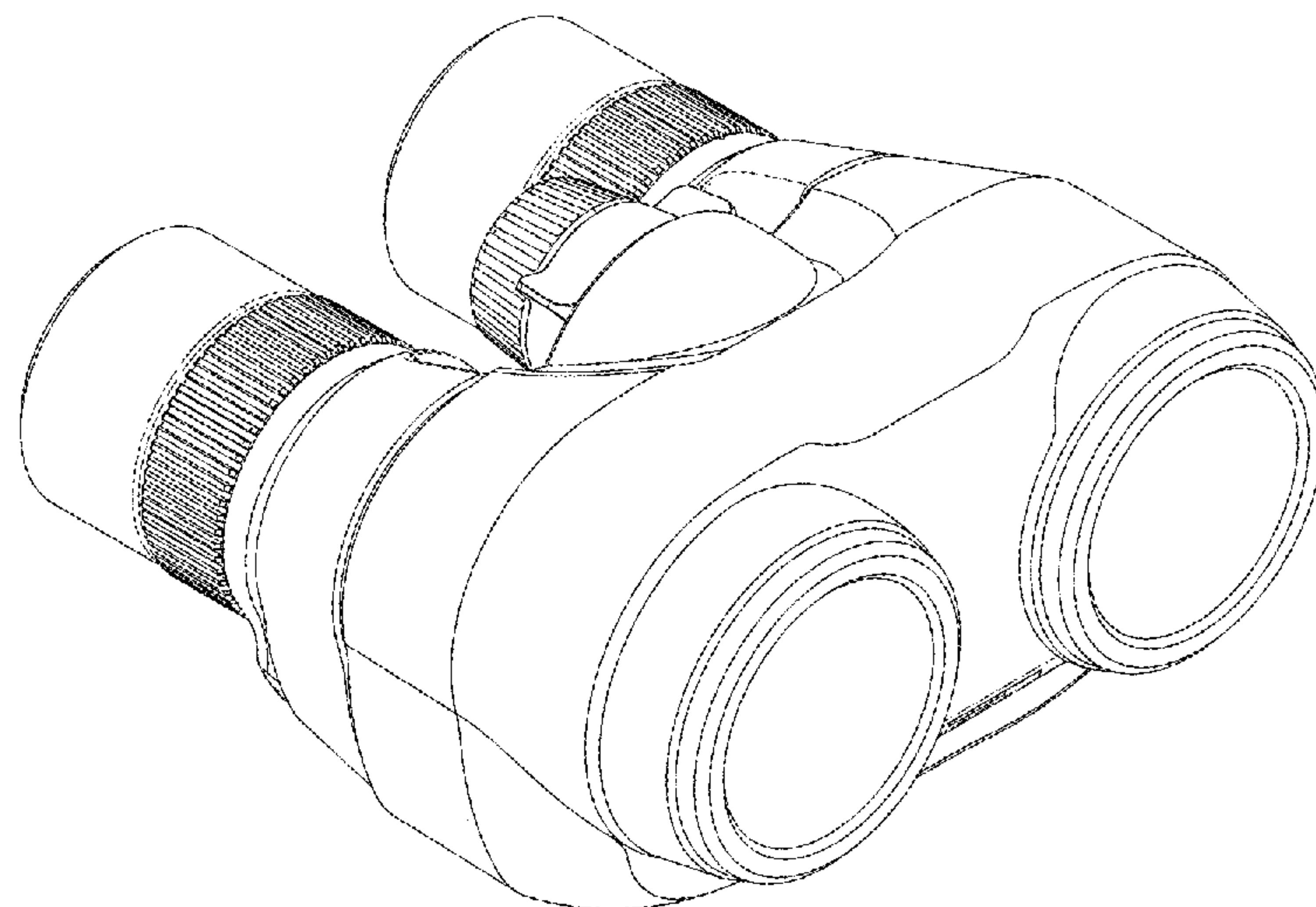
*Primary Examiner* — Mark A Goodwin  
*Assistant Examiner* — Benjamin M Weeks  
(74) *Attorney, Agent, or Firm* — Sughrue Mion, PLLC

(57) **CLAIM**  
The ornamental design for binoculars, as shown and described.

**DESCRIPTION**

FIG. 1 is a perspective view of the binoculars, viewed from above and to the left of a front side thereof;  
FIG. 2 is a perspective view of the embodiment, viewed from above and to the right of the front side;  
FIG. 3 is a front view thereof;  
FIG. 4 is a rear view thereof;  
FIG. 5 is a top view thereof;  
FIG. 6 is a bottom view thereof;  
FIG. 7 is a right side view thereof;  
FIG. 8 is a left side view thereof;  
FIG. 9 is a rear view thereof in a state in which the eye width is widened; and,  
FIG. 10 is a rear view thereof in a state in which the eye width is narrowed.  
The broken lines show portions of the binoculars that are not being claimed, and thus form no part of the claimed design.

**1 Claim, 10 Drawing Sheets**



(56)

**References Cited**

U.S. PATENT DOCUMENTS

D662,118 S \* 6/2012 Soejima ..... D16/133  
D687,081 S \* 7/2013 Radau ..... D16/133

\* cited by examiner

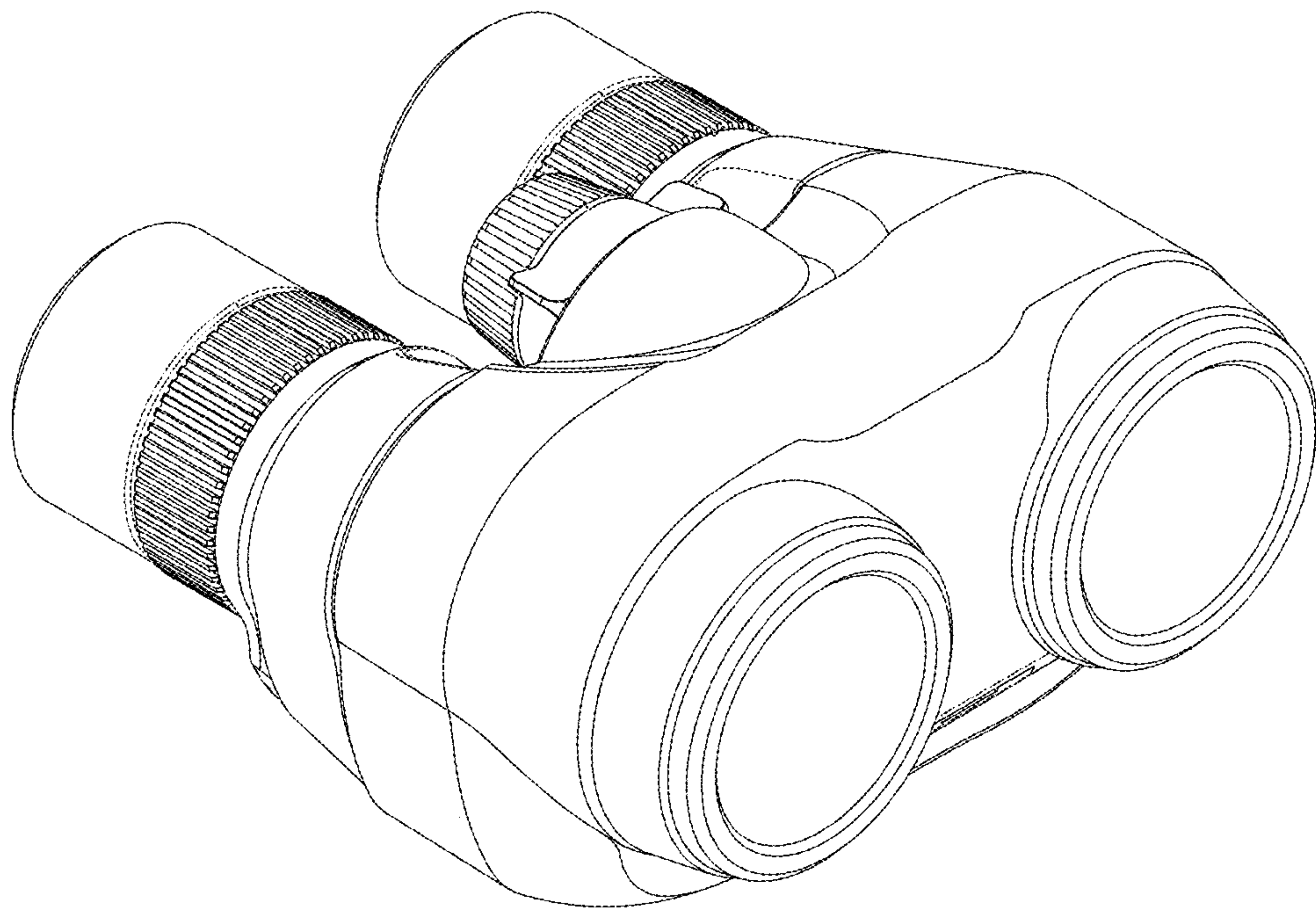


FIG.1

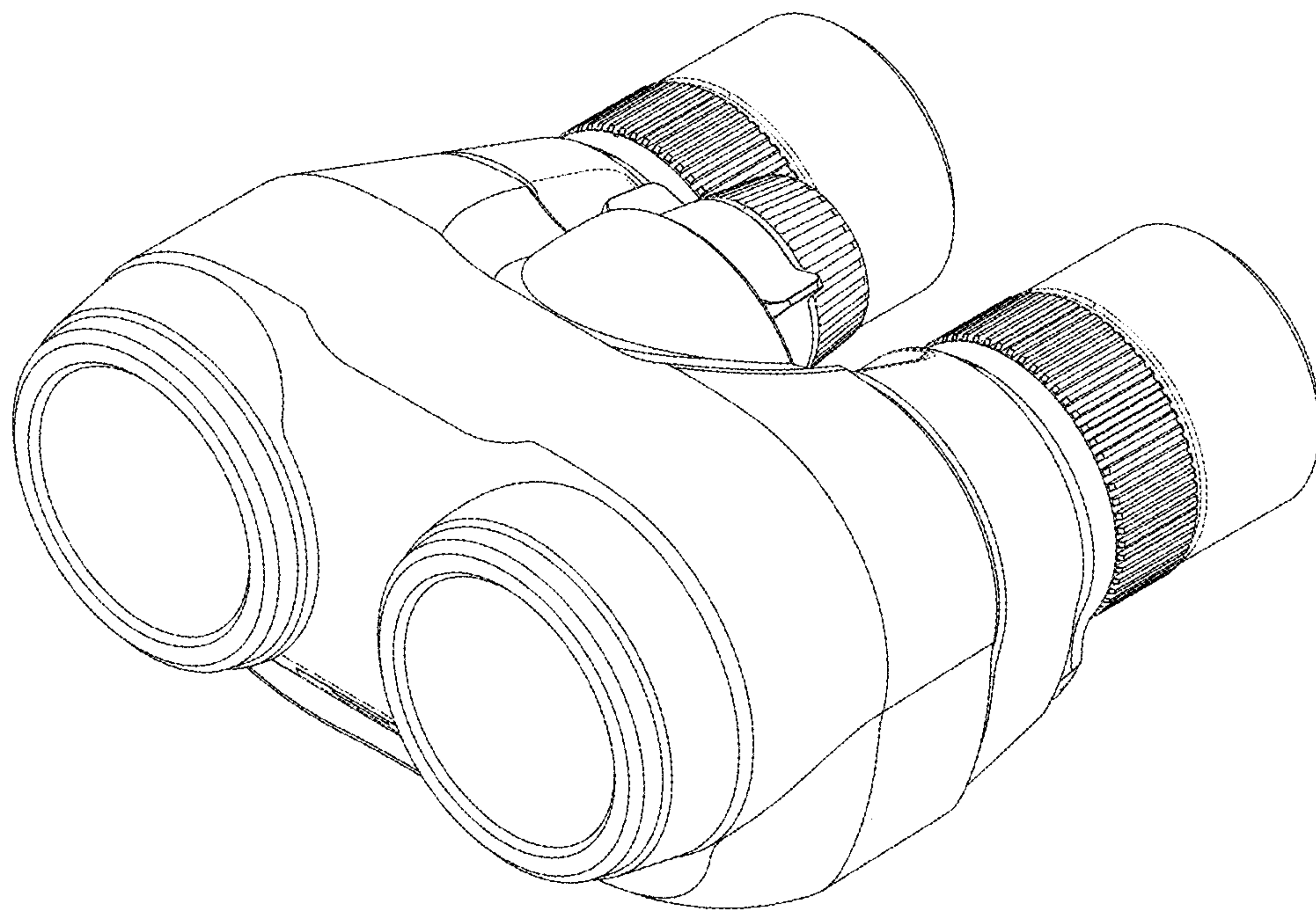


FIG.2

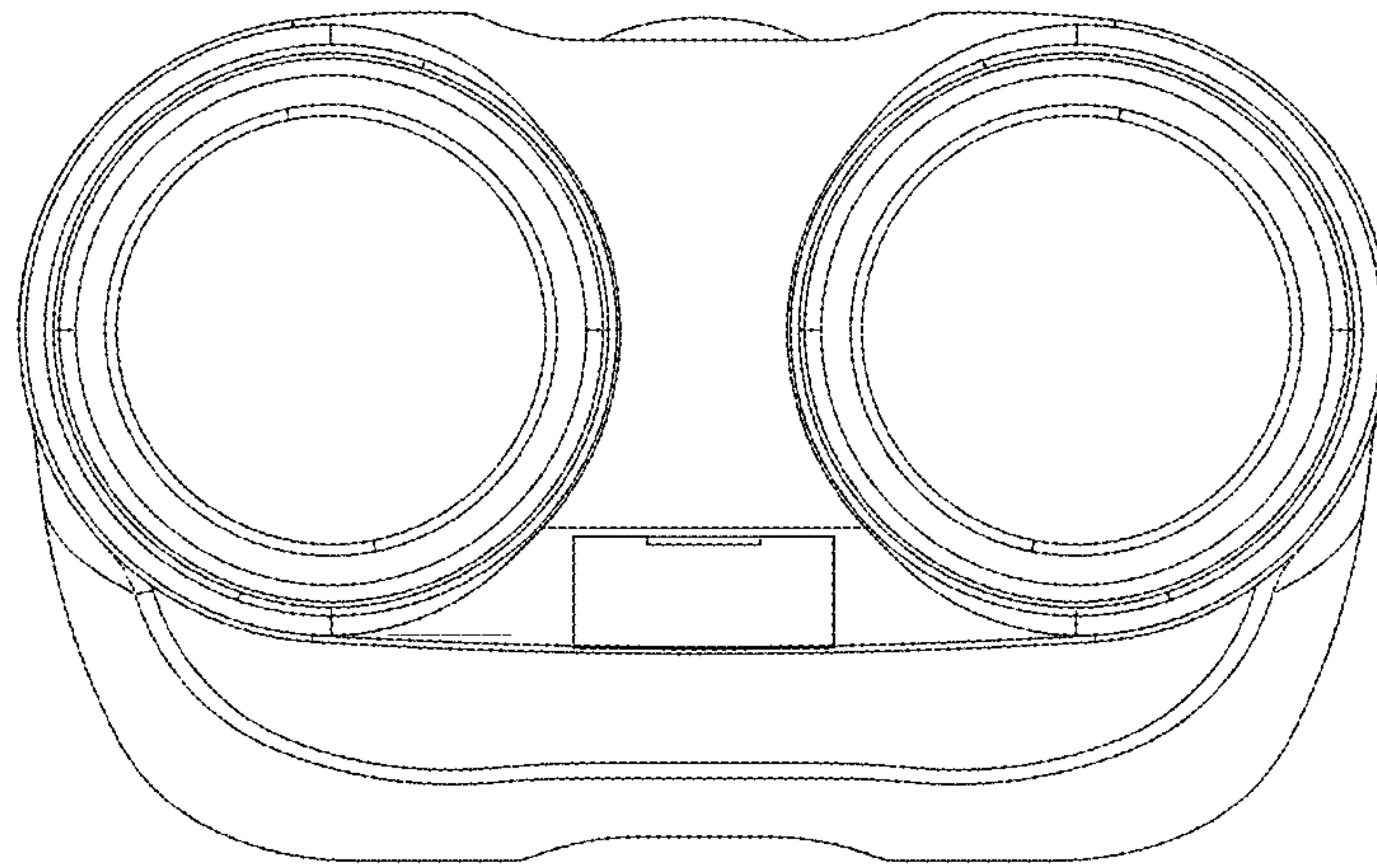


FIG.3



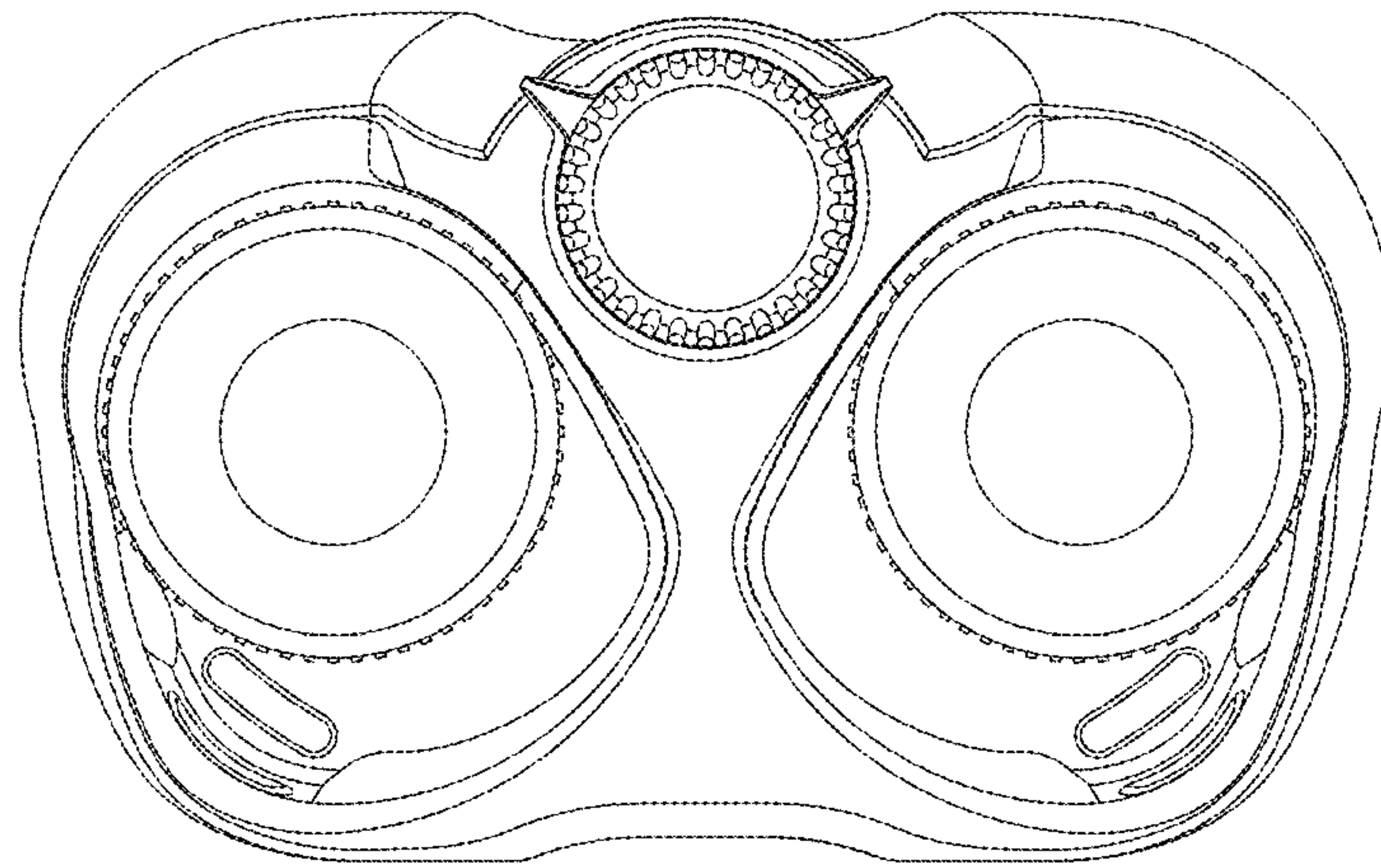


FIG.4

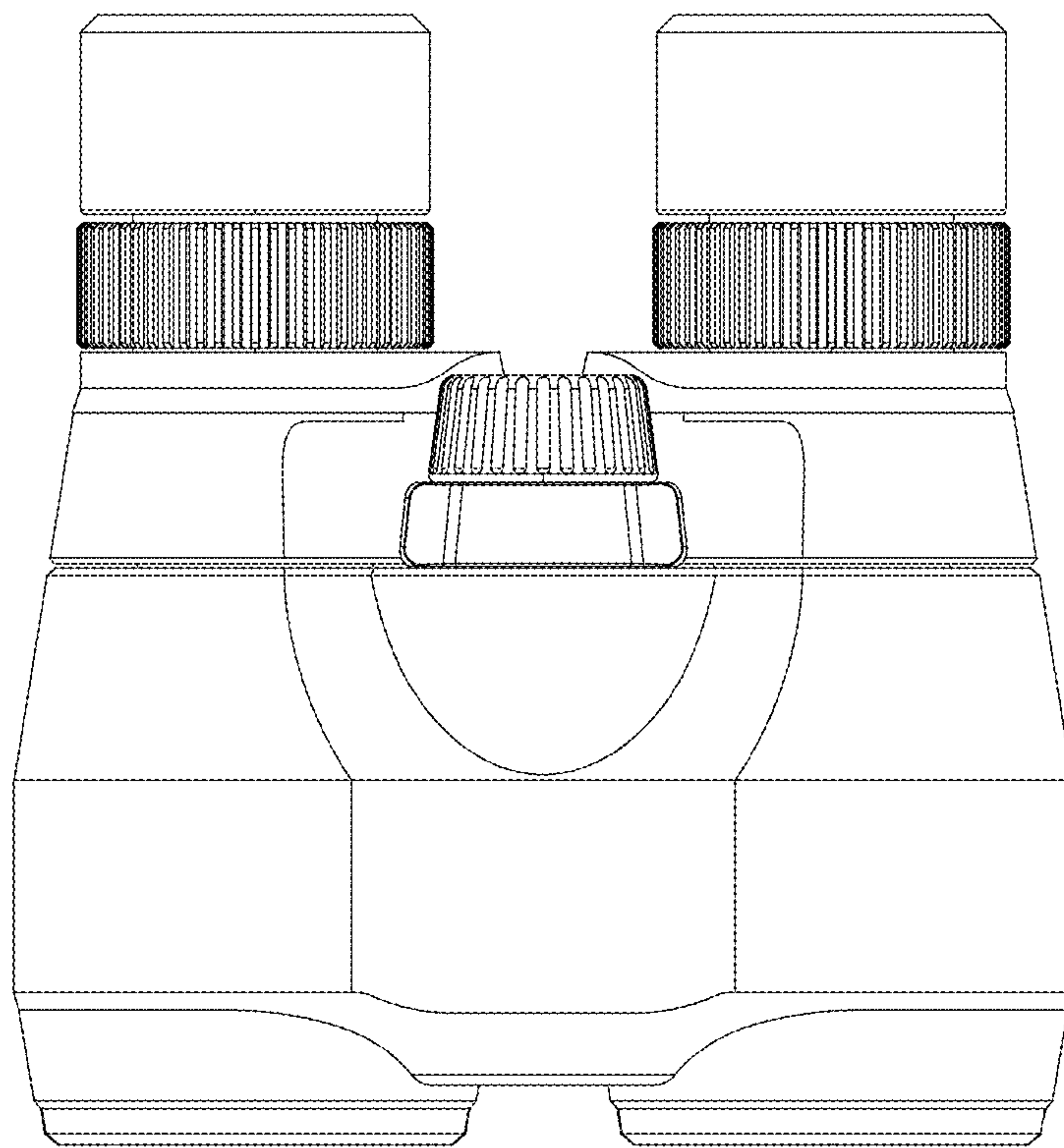


FIG.5

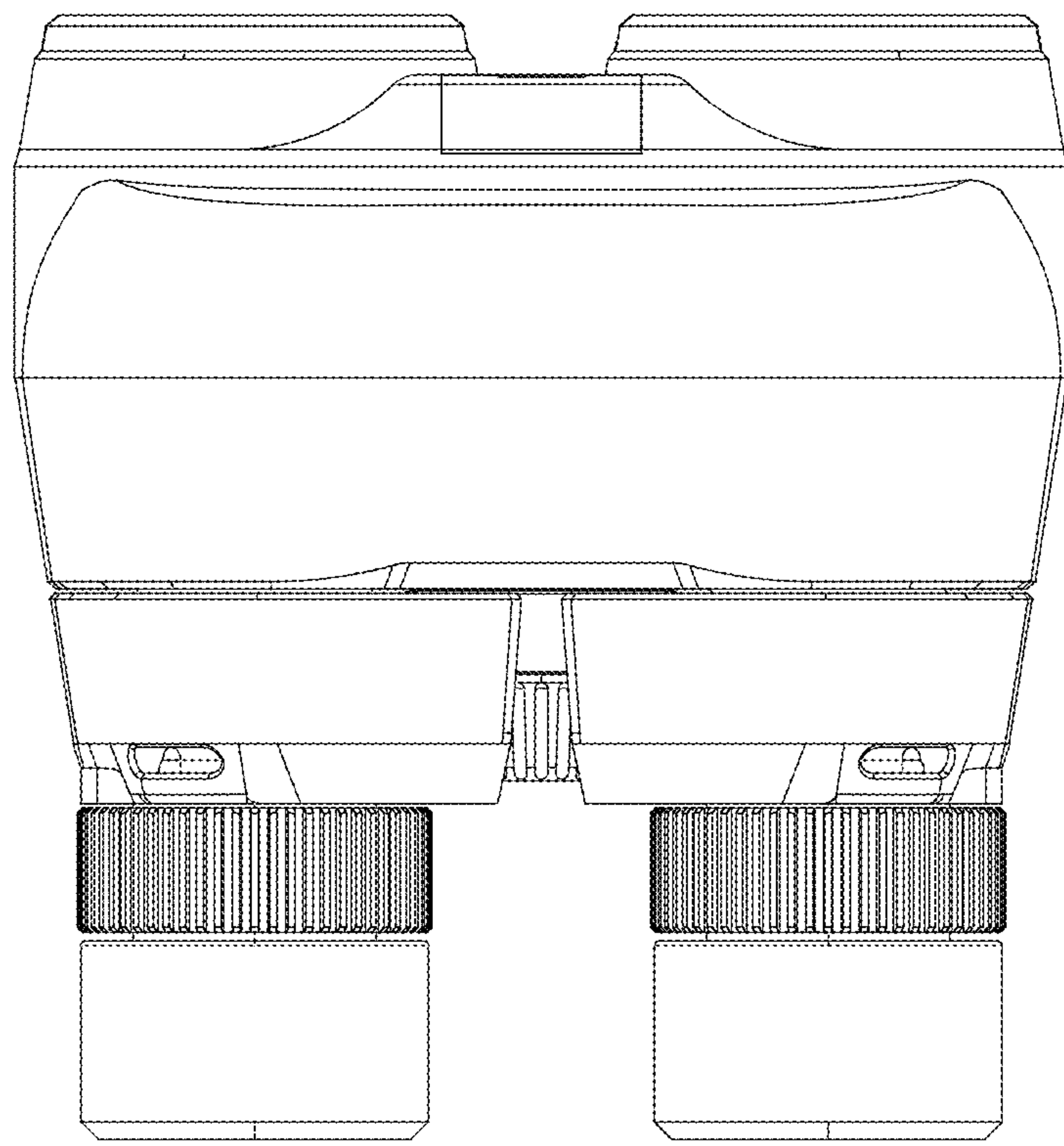


FIG.6



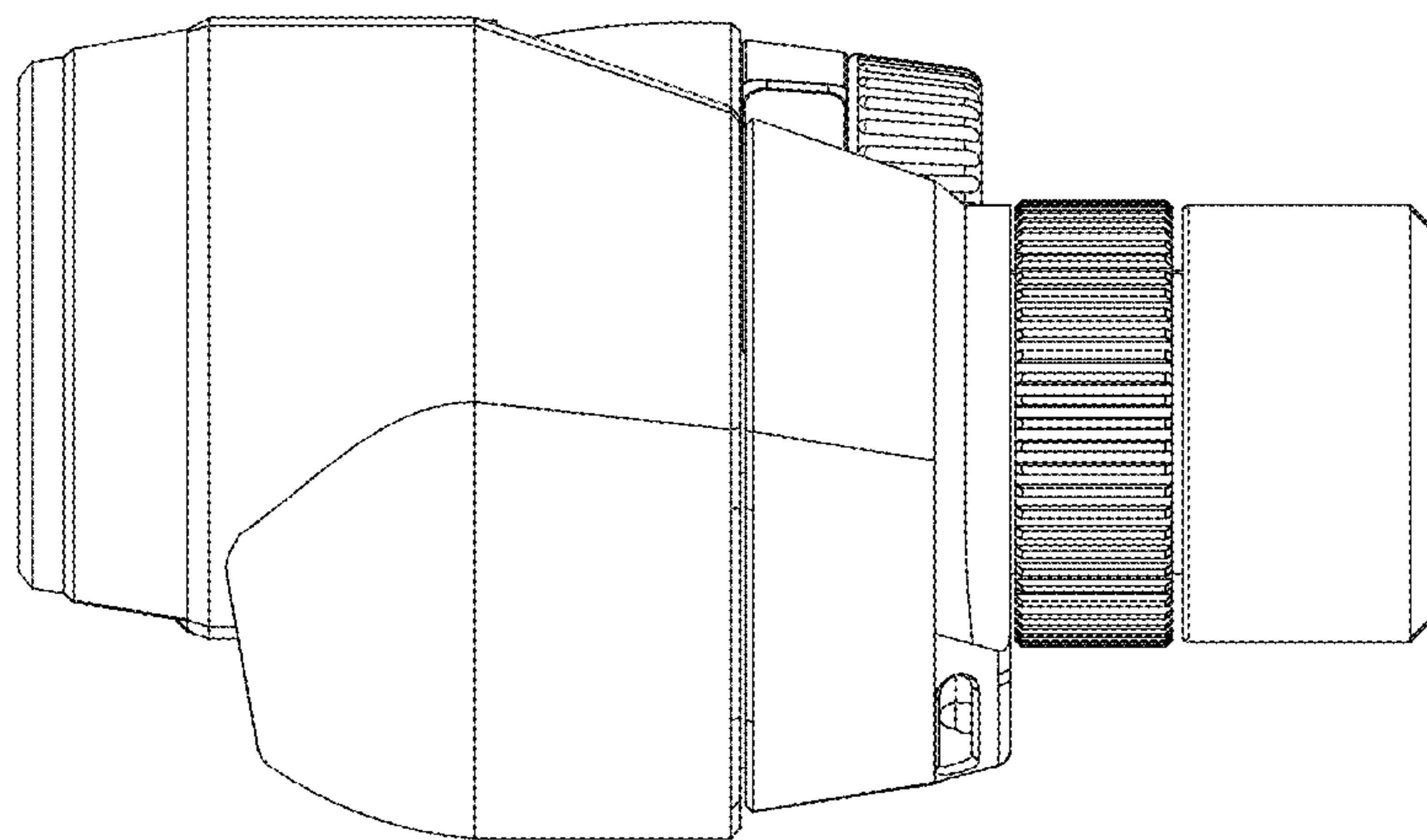


FIG.7

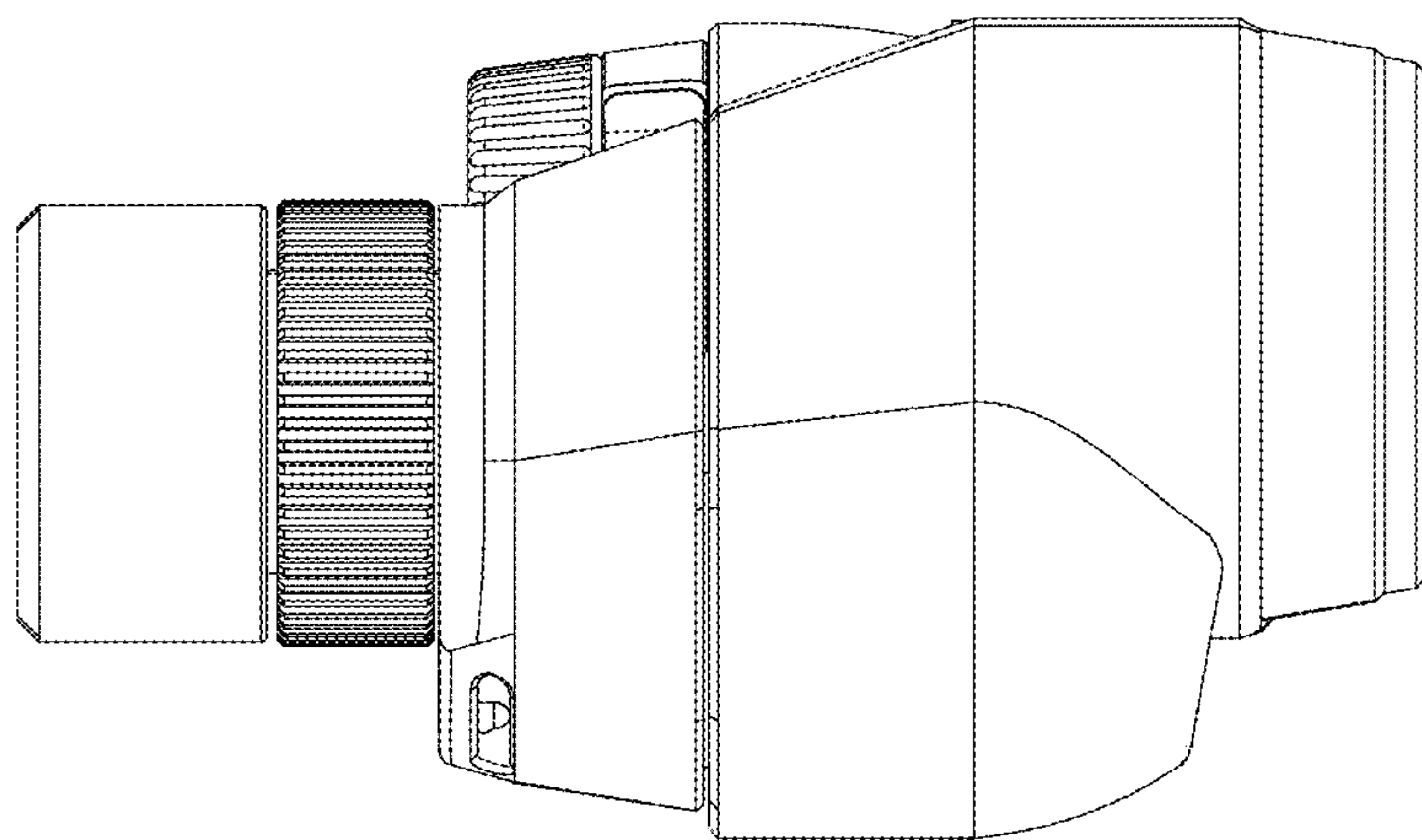


FIG.8

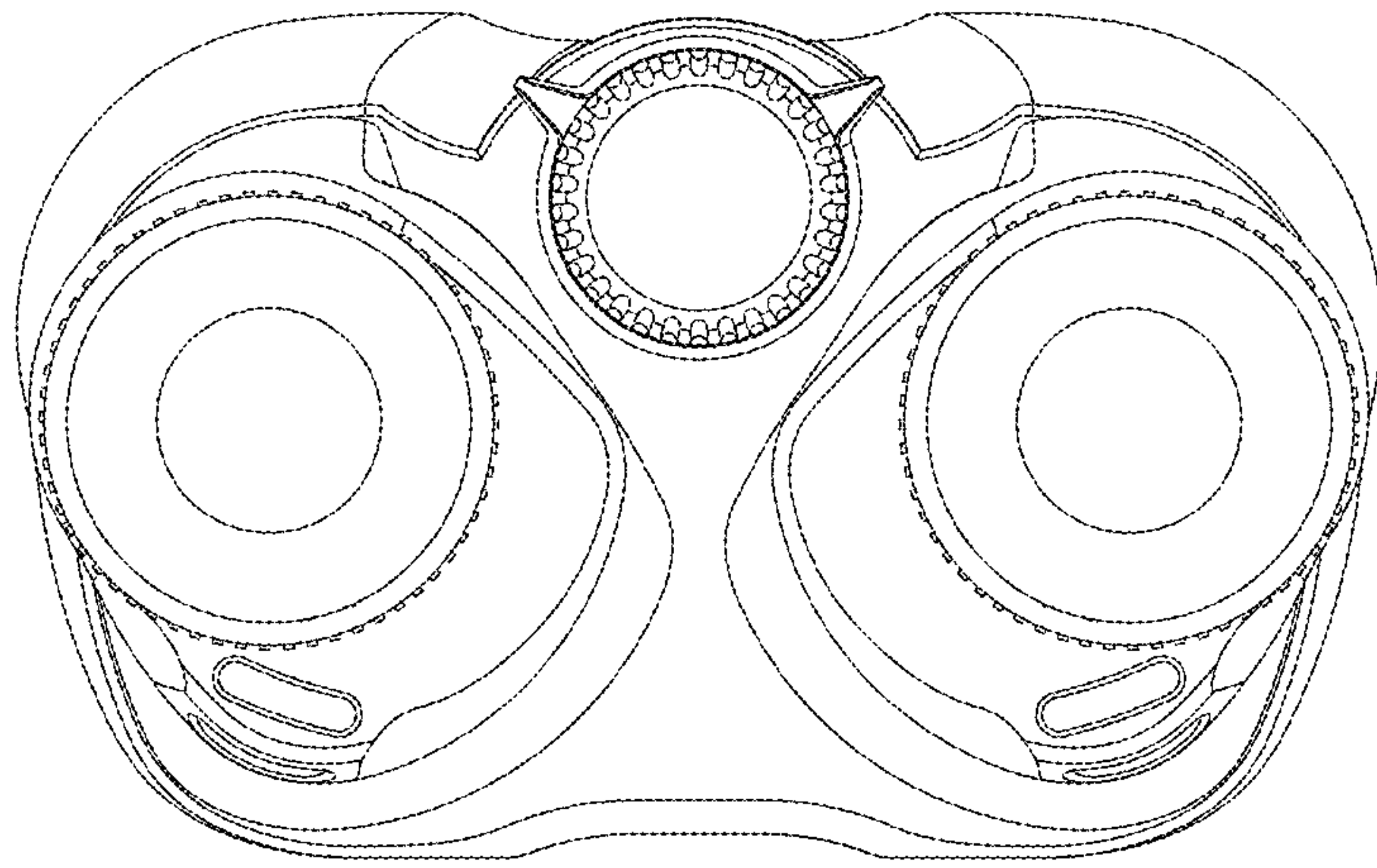


FIG.9

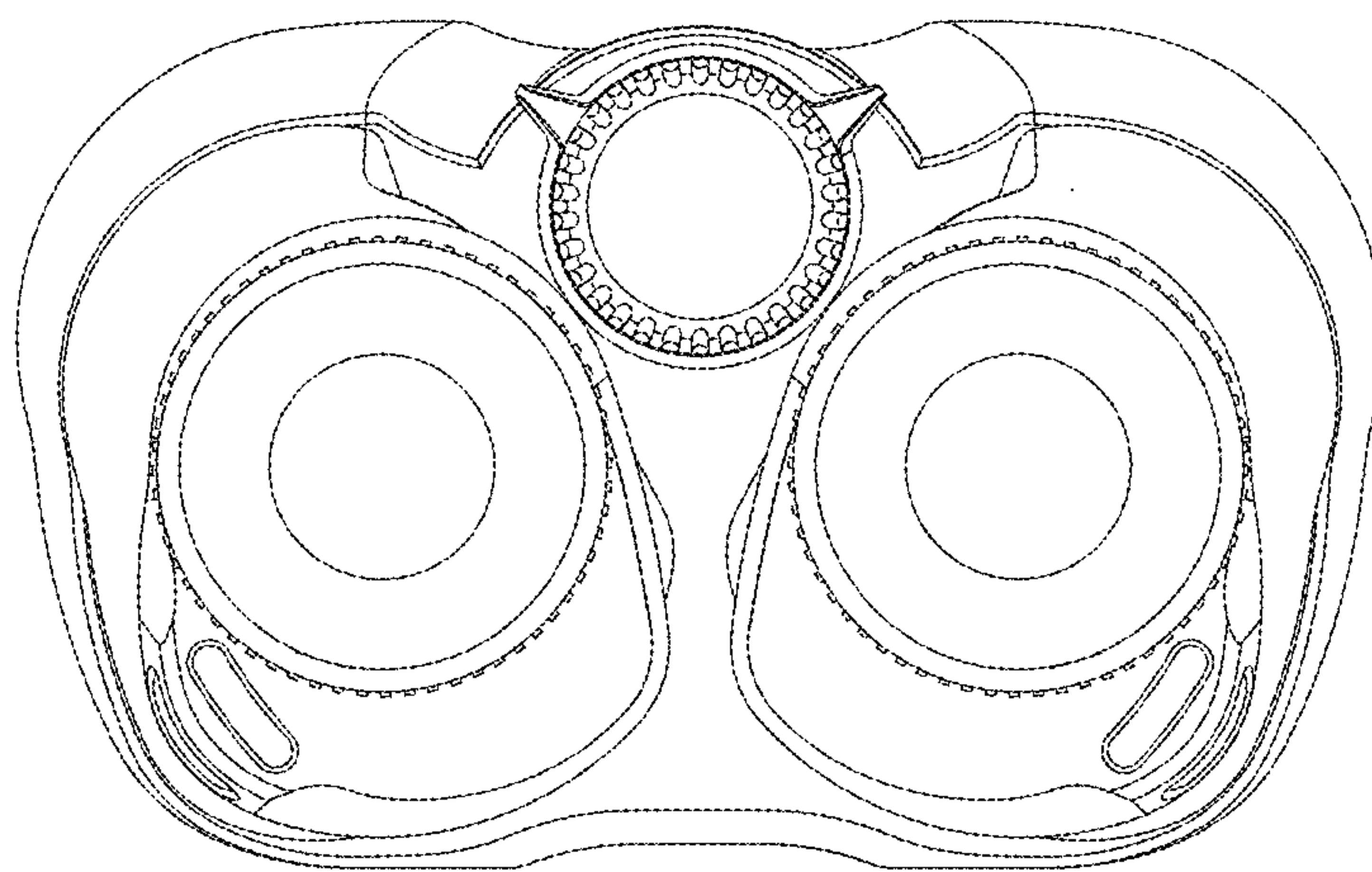


FIG.10