



US00D846013S

(12) **United States Design Patent** (10) **Patent No.:** **US D846,013 S**
Hakoda et al. (45) **Date of Patent:** **** Apr. 16, 2019**

(54) **SURGICAL MICROSCOPE**

(71) Applicants: **SONY CORPORATION**, Tokyo (JP);
SONY OLYMPUS MEDICAL SOLUTIONS INC., Tokyo OT (JP)

(72) Inventors: **Katsuhisa Hakoda**, Kanagawa (JP);
Daisuke Iseki, Tokyo (JP)

(73) Assignees: **SONY CORPORATION**, Tokyo (JP);
SONY OLYMPUS MEDICAL SOLUTIONS INC., Tokyo (JP)

D597,575	S *	8/2009	Steiner	D16/133
D634,344	S *	3/2011	Nusser	D16/131
D649,992	S *	12/2011	Nusser	D16/131
D666,654	S *	9/2012	Fischbach	D16/133
D758,465	S *	6/2016	Matuschek	D16/131
D816,749	S *	5/2018	Kung	D16/133
D817,376	S *	5/2018	Vogl	D16/132
10,031,311	B2 *	7/2018	Lotz	G01B 5/0004
2003/0230698	A1 *	12/2003	Strauss	A61B 90/25 248/648
2004/0125437	A1 *	7/2004	Schmidt	A61B 90/36 359/368
2005/0041282	A1 *	2/2005	Rudolph	G02B 7/001 359/368
2014/0055850	A1 *	2/2014	Doi	G02B 21/0012 359/384

(**) Term: **15 Years**

(21) Appl. No.: **29/619,611**

(22) Filed: **Sep. 29, 2017**

(30) **Foreign Application Priority Data**

Mar. 30, 2017 (JP) D2017-006738

(51) **LOC (11) Cl.** **16-06**

(52) **U.S. Cl.**
USPC **D16/131**

(58) **Field of Classification Search**
USPC D16/131, 132, 130, 242, 244, 245
CPC G02B 1/00; G02B 23/00; G02B 7/023
See application file for complete search history.

(56) **References Cited**

U.S. PATENT DOCUMENTS

D274,915	S *	7/1984	Keil	D16/133
D351,397	S *	10/1994	Dor	D16/130
D397,127	S *	8/1998	Chang	D16/133
D424,083	S *	5/2000	Lee	D16/133
D425,532	S *	5/2000	Lee	D16/133
D425,922	S *	5/2000	Huckenbeck	D16/133
D482,711	S *	11/2003	Kishigami	D16/133

* cited by examiner

Primary Examiner — John Windmuller
Assistant Examiner — Benjamin M Weeks
(74) *Attorney, Agent, or Firm* — Michael Best and Friedrich LLP

(57) **CLAIM**

The ornamental design for a surgical microscope, as shown and described.

DESCRIPTION

FIG. 1 is a perspective view of a surgical microscope showing our new design;
FIG. 2 is a front elevational view thereof;
FIG. 3 is a rear elevational view thereof;
FIG. 4 is a right side elevational view thereof;
FIG. 5 is a left side elevational view thereof;
FIG. 6 is a top plan view thereof; and,
FIG. 7 is a bottom plan view thereof.
The broken lines illustrating portions of the surgical microscope form no part of the claimed design.

1 Claim, 7 Drawing Sheets

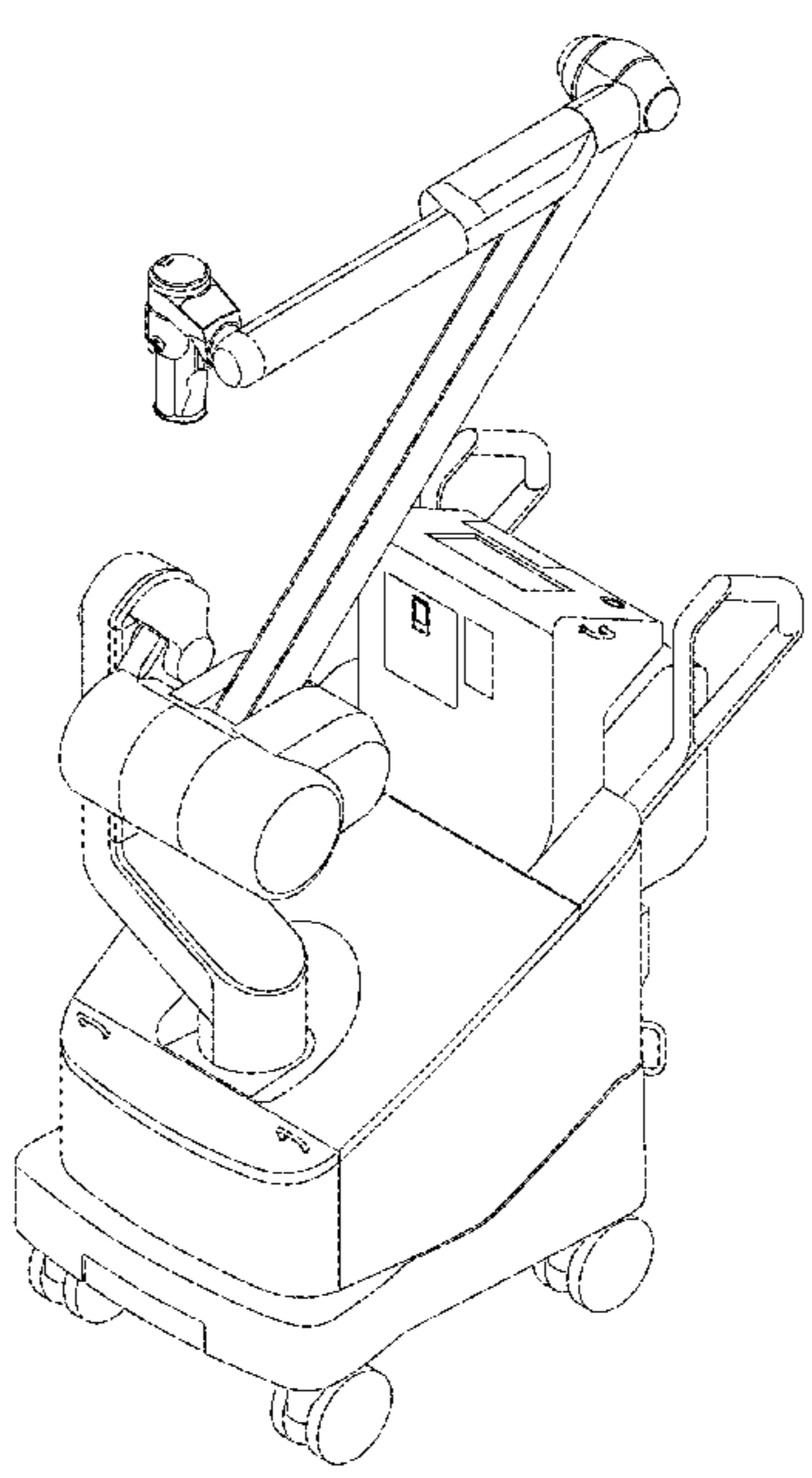


FIG.1

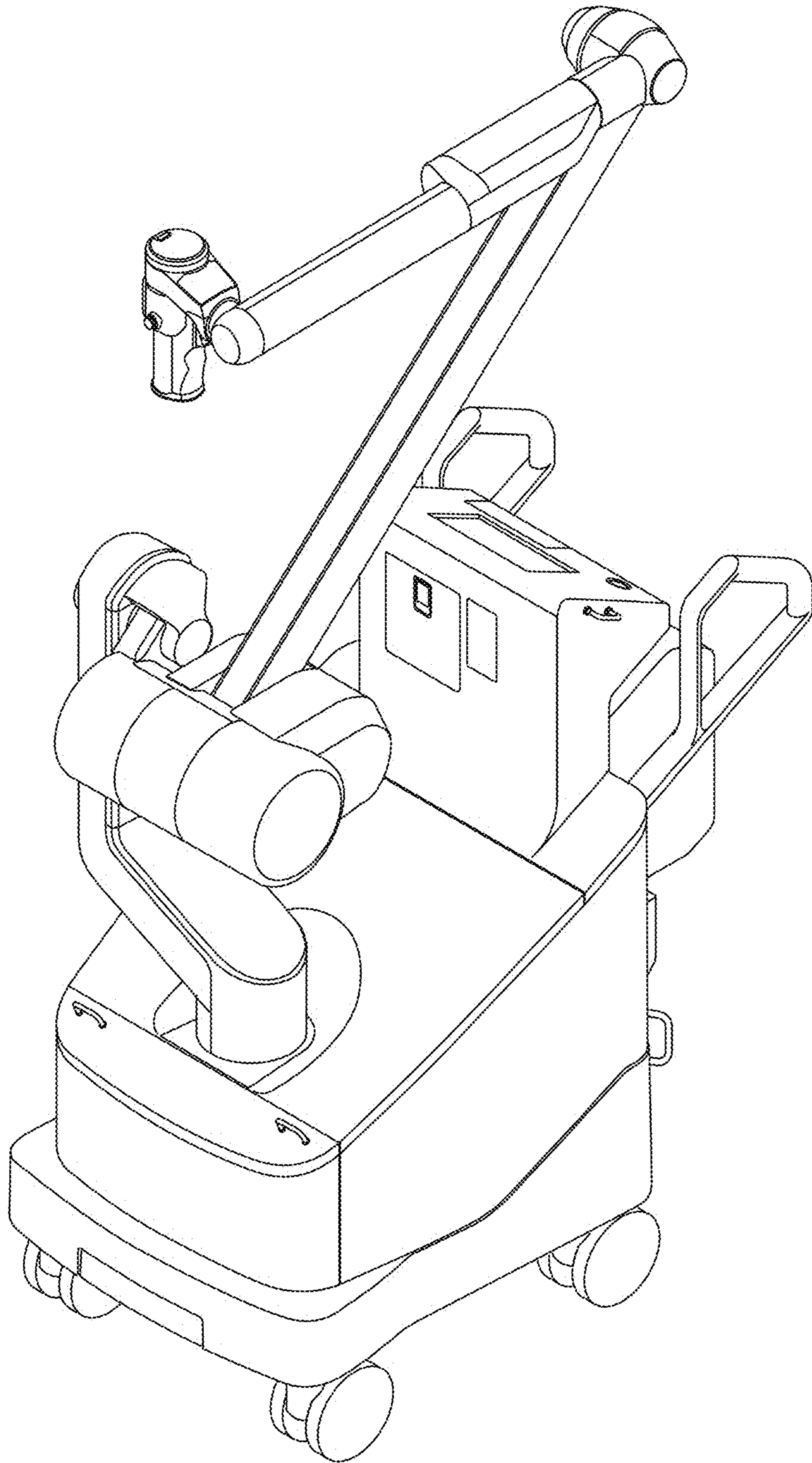


FIG.2

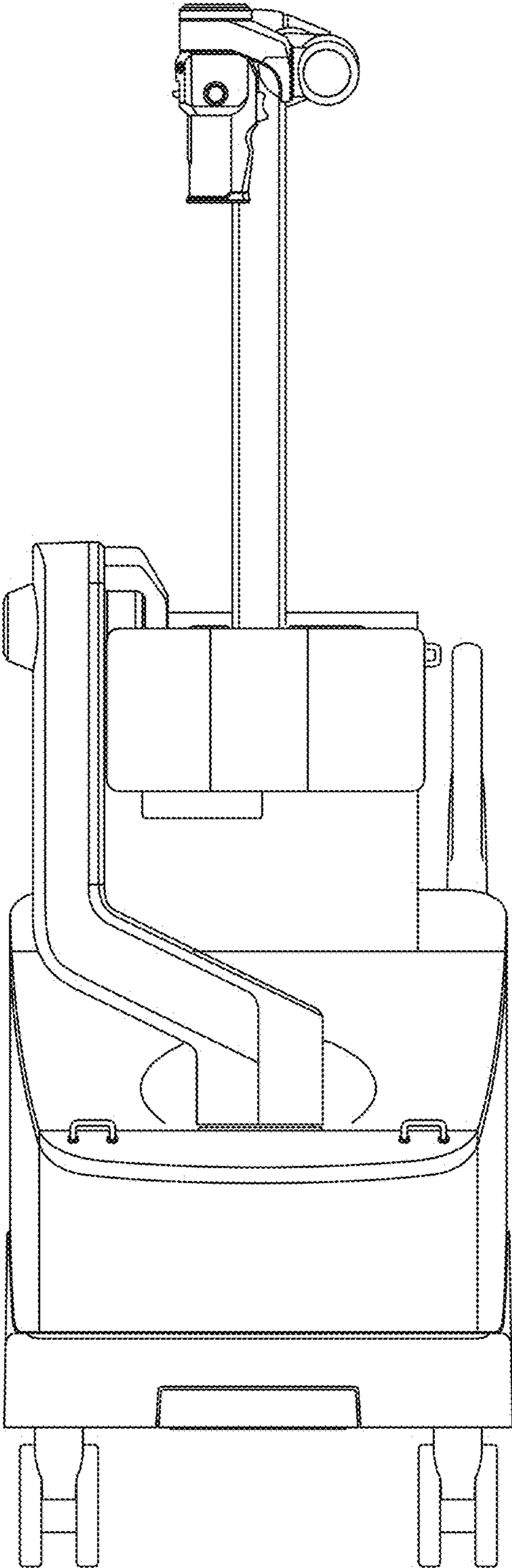


FIG.3

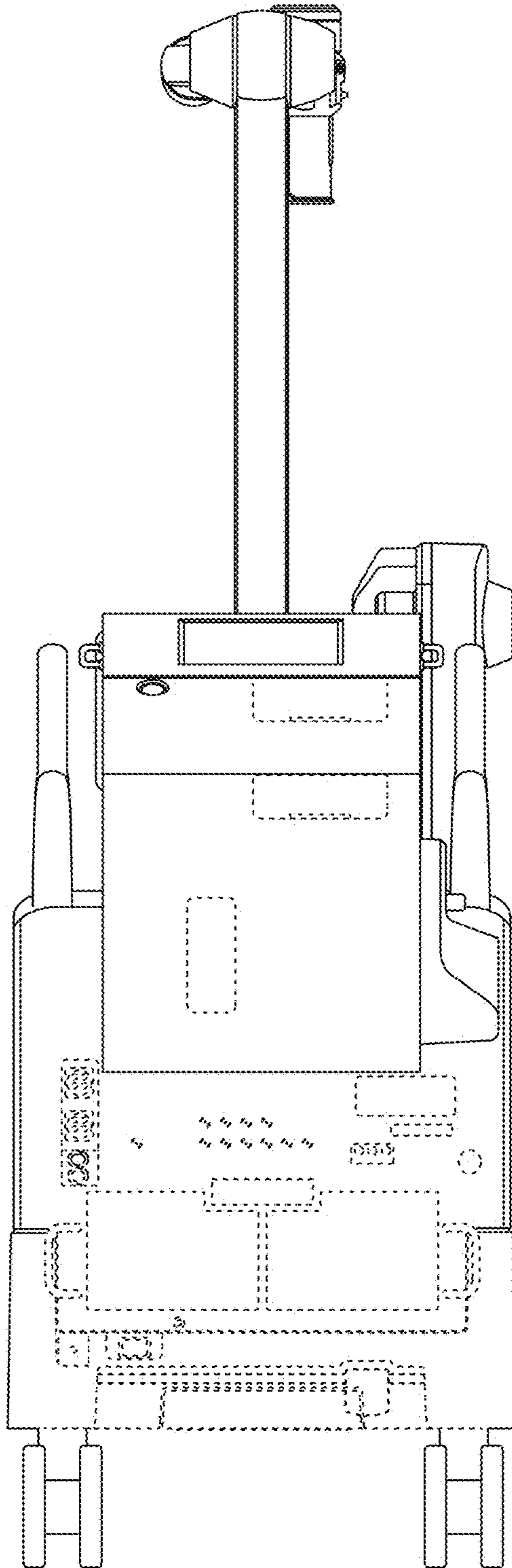


FIG.4

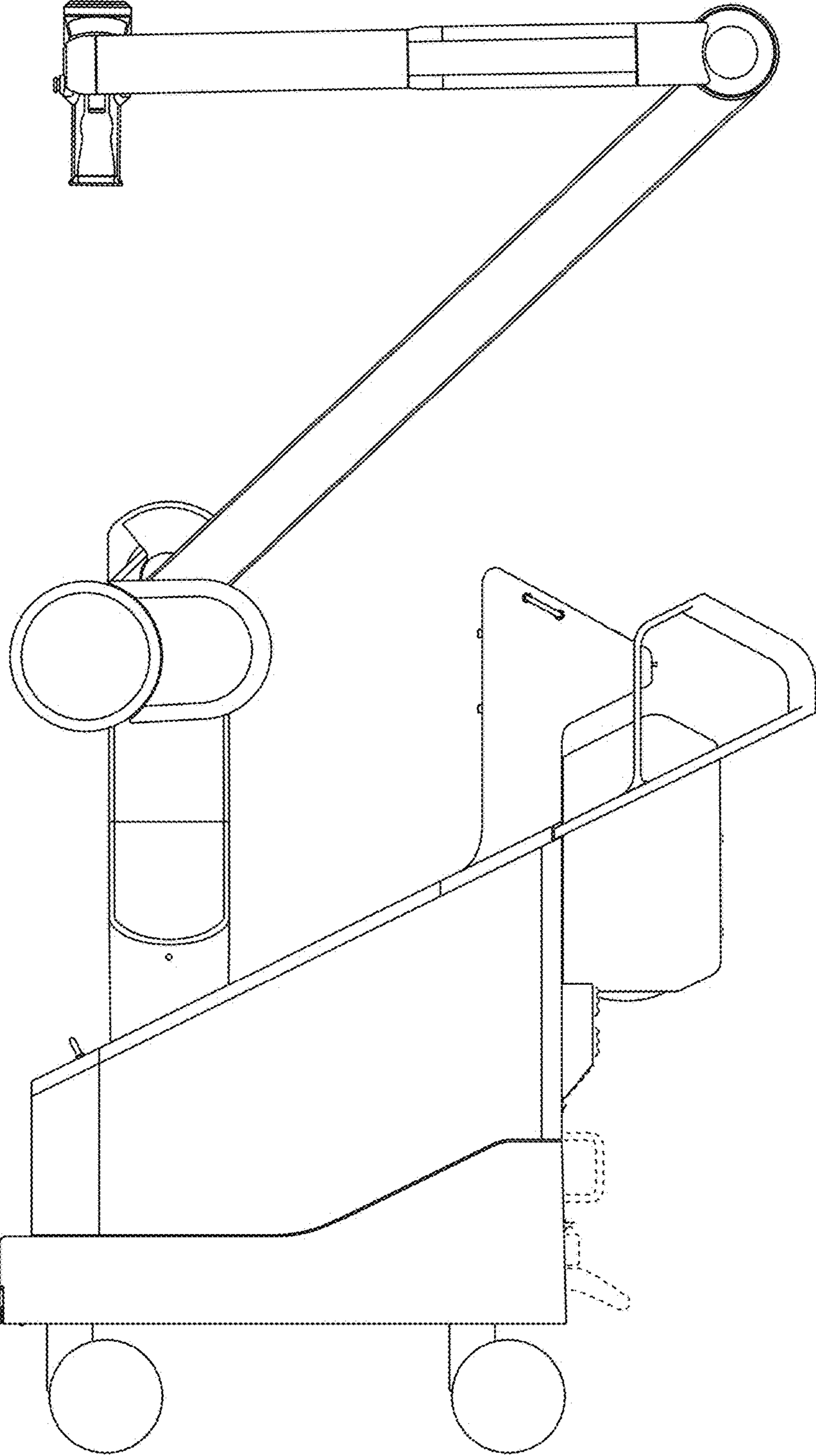


FIG.5

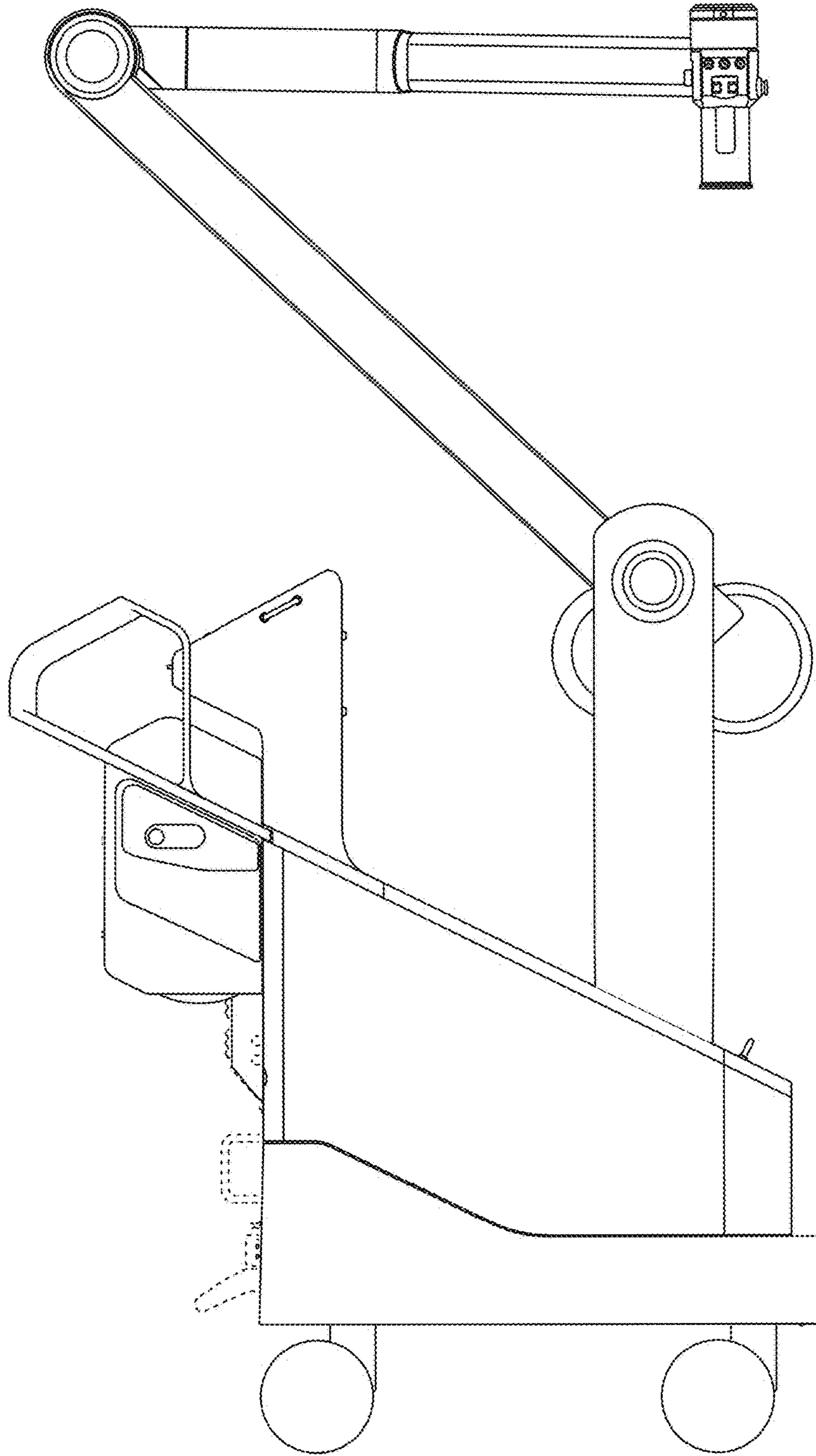


FIG.6

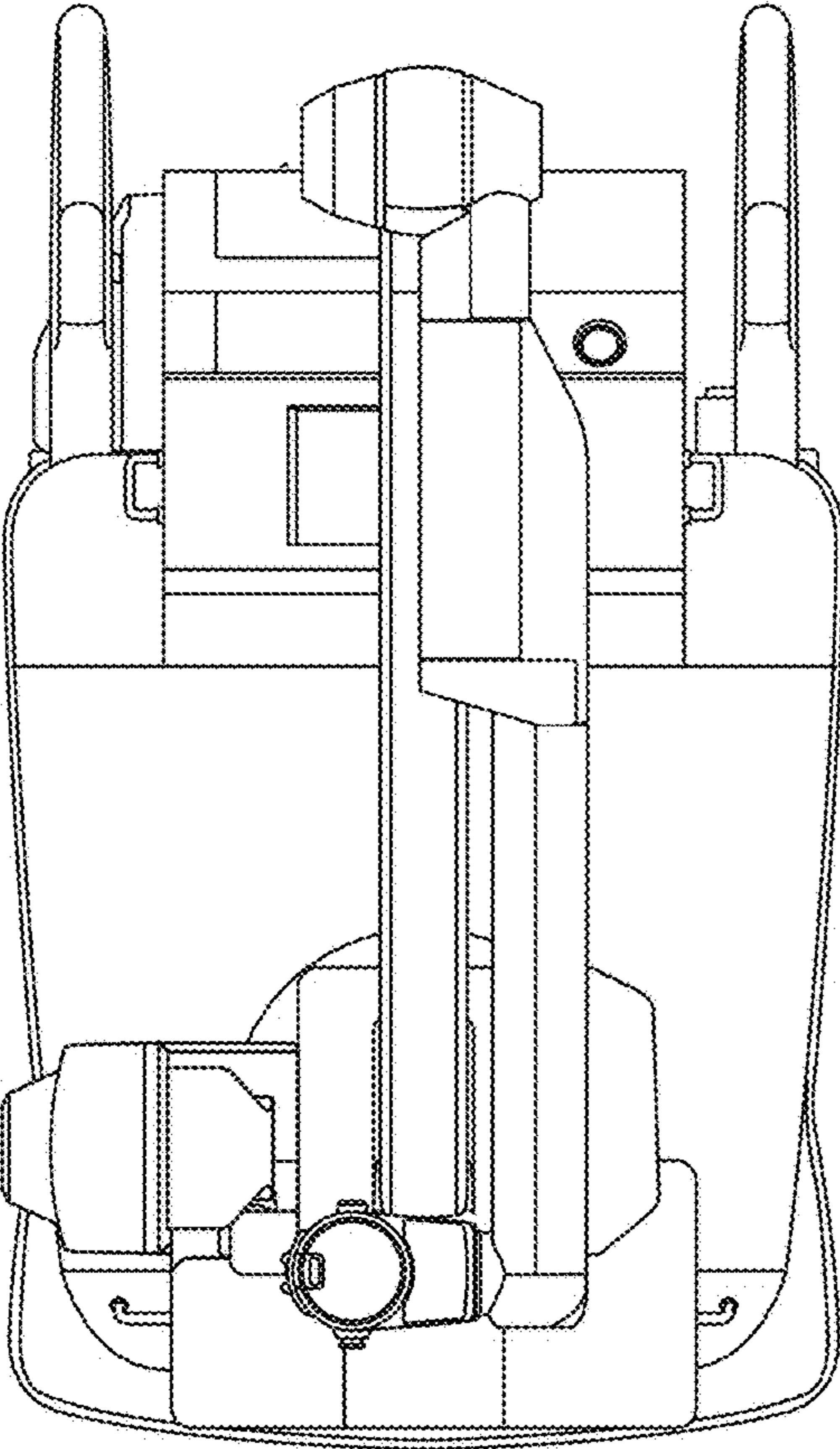


FIG.7

