



US00D846012S

(12) **United States Design Patent**
Ishikawa et al.

(10) **Patent No.:** **US D846,012 S**
(45) **Date of Patent:** **** Apr. 16, 2019**

- (54) **ELECTRIC ROTARY ACTUATOR**
- (71) Applicant: **SMC CORPORATION**, Chiyoda-ku (JP)
- (72) Inventors: **Shintaro Ishikawa**, Kasukabe (JP);
Atsushi Otani, Adachi-ku (JP)
- (73) Assignee: **SMC CORPORATION**, Chiyoda-ku (JP)
- (**) Term: **15 Years**
- (21) Appl. No.: **29/638,904**
- (22) Filed: **Mar. 1, 2018**
- (30) **Foreign Application Priority Data**
Sep. 7, 2017 (JP) 2017-019400
- (51) **LOC (11) Cl.** **15-09**
- (52) **U.S. Cl.**
USPC **D15/149**; D13/158
- (58) **Field of Classification Search**
USPC D13/107, 112, 118, 123, 158-160, 162,
D13/173, 174, 184, 199; D15/143, 148,
D15/199
CPC F15B 11/076; F15B 11/0413; F15B 15/24;
F15B 15/065; F15B 15/149; F15B
15/1433; F16H 19/04
See application file for complete search history.

- (56) **References Cited**
U.S. PATENT DOCUMENTS
5,094,143 A * 3/1992 Andersen, Jr. F15B 15/1433
137/884
5,477,774 A * 12/1995 Ikumi F15B 15/1428
92/161
6,029,561 A * 2/2000 Naslund F15B 15/1433
91/394
6,276,257 B1 * 8/2001 Hellemann F15B 11/08
91/442
D480,405 S * 10/2003 Kleffmann D15/143

- 7,032,501 B2 * 4/2006 Boertje F15B 15/20
92/161
- D534,864 S * 1/2007 Hu D13/133
- D572,282 S * 7/2008 Yaegashi D15/143
- D573,091 S * 7/2008 Shih D13/112
- D609,546 S * 2/2010 Fukano D8/72
- D660,333 S * 5/2012 Takeuchi D15/143
- D668,321 S * 10/2012 Senba D23/233
- D758,310 S * 6/2016 Veeh D13/112
- D819,101 S * 5/2018 Ishikawa D15/148
- D819,700 S * 6/2018 Kudo D15/7
- D821,472 S * 6/2018 Ishikawa D15/149
- 2004/0094032 A1 * 5/2004 Doleschel F15B 15/082
92/88

* cited by examiner

Primary Examiner — Angela J Lee
Assistant Examiner — Shawn T Gingrich
(74) *Attorney, Agent, or Firm* — Oblon, McClelland,
Maier & Neustadt, L.L.P.

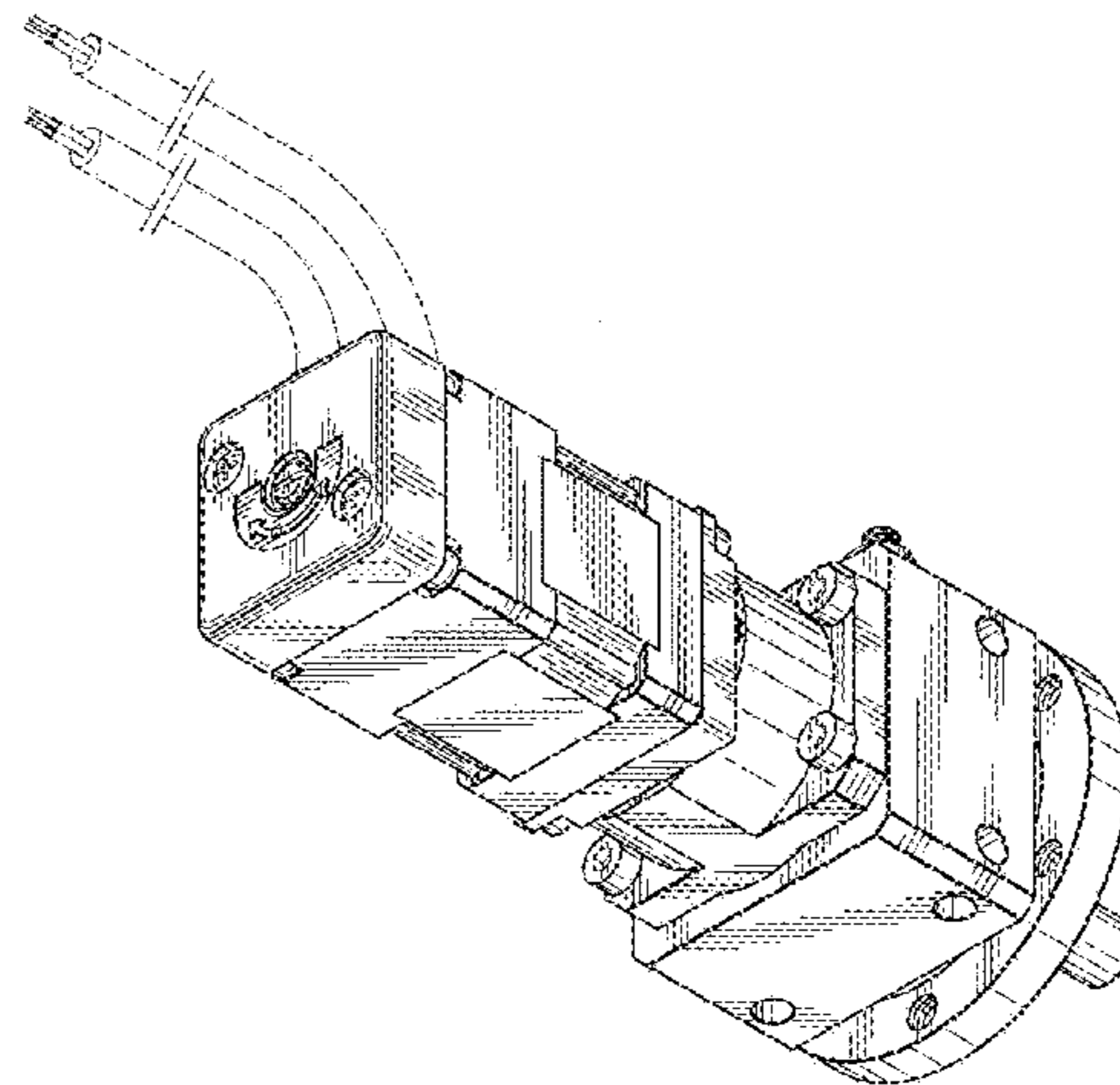
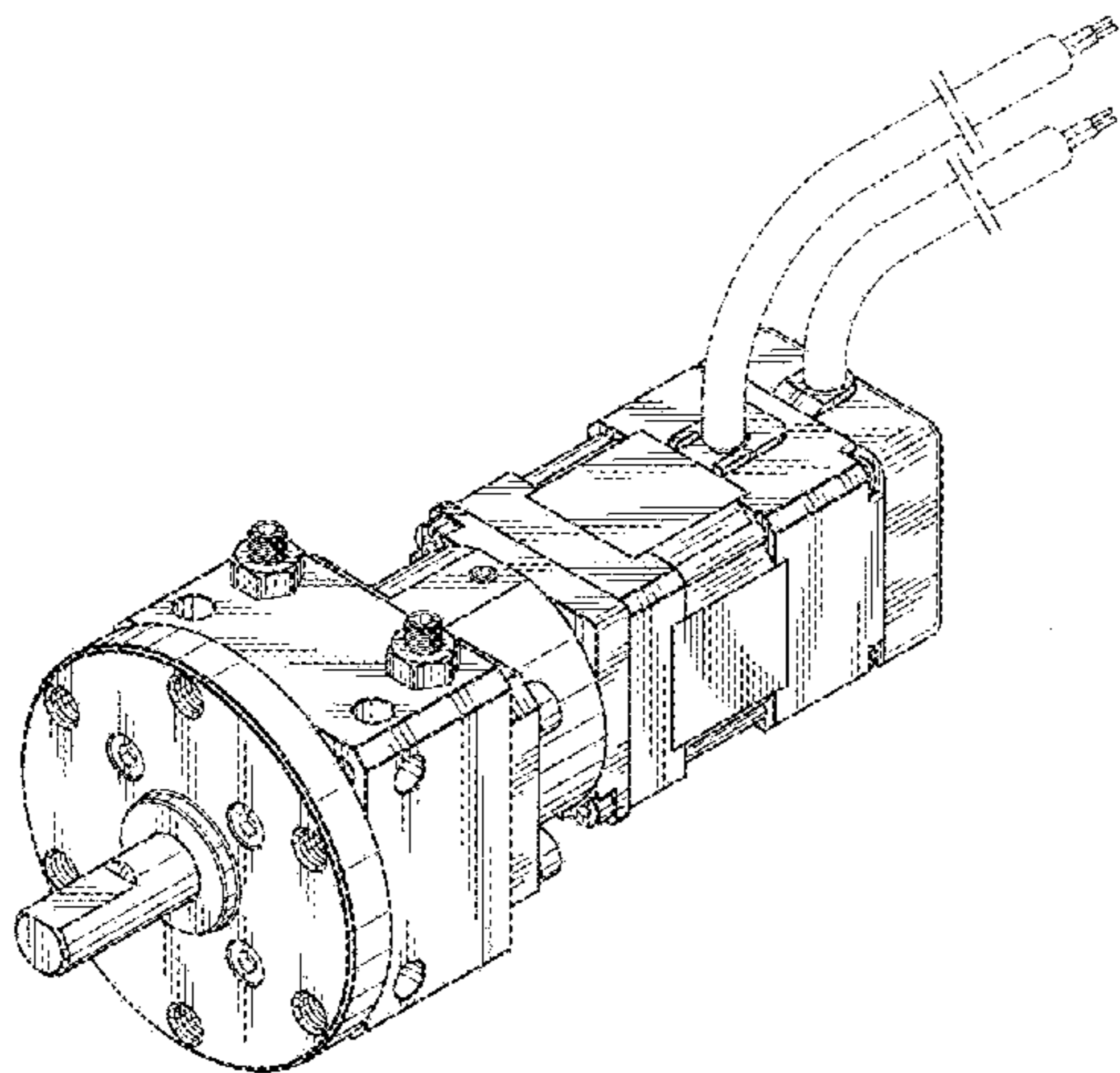
(57) **CLAIM**

The ornamental design for an electric rotary actuator, as shown and described.

DESCRIPTION

FIG. 1 is a front, top, and left side perspective view of an electric rotary actuator;
FIG. 2 is a rear, bottom, and right side perspective view thereof;
FIG. 3 is a front elevational view thereof;
FIG. 4 is a rear elevational view thereof;
FIG. 5 is a top plan view thereof;
FIG. 6 is a bottom plan view thereof;
FIG. 7 is a left side elevational view thereof; and,
FIG. 8 is a right side elevational view thereof.
The broken lines in the drawings illustrate portions of the electric rotary actuator that form no part of the claimed design.

1 Claim, 8 Drawing Sheets



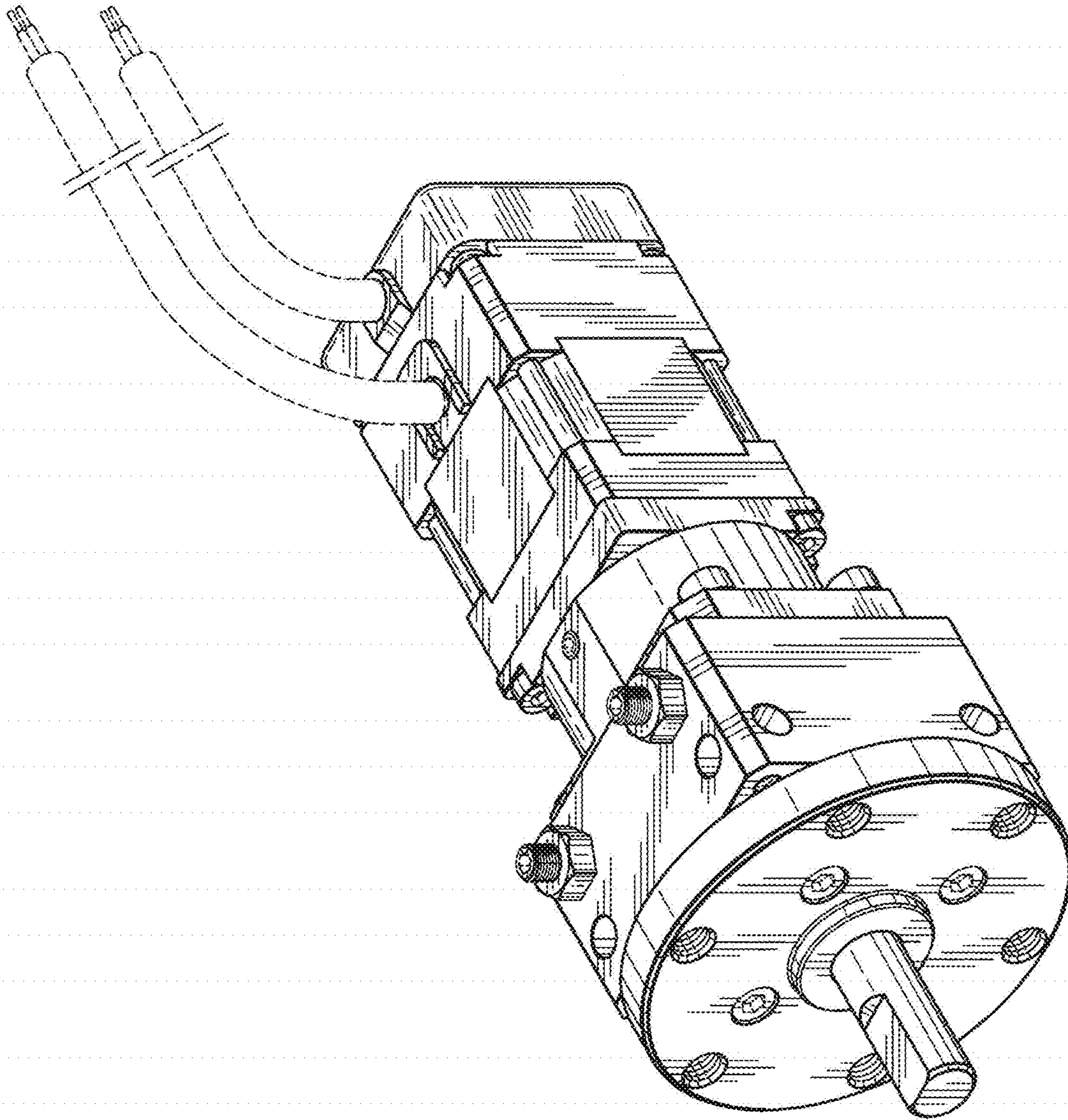


FIG. 1

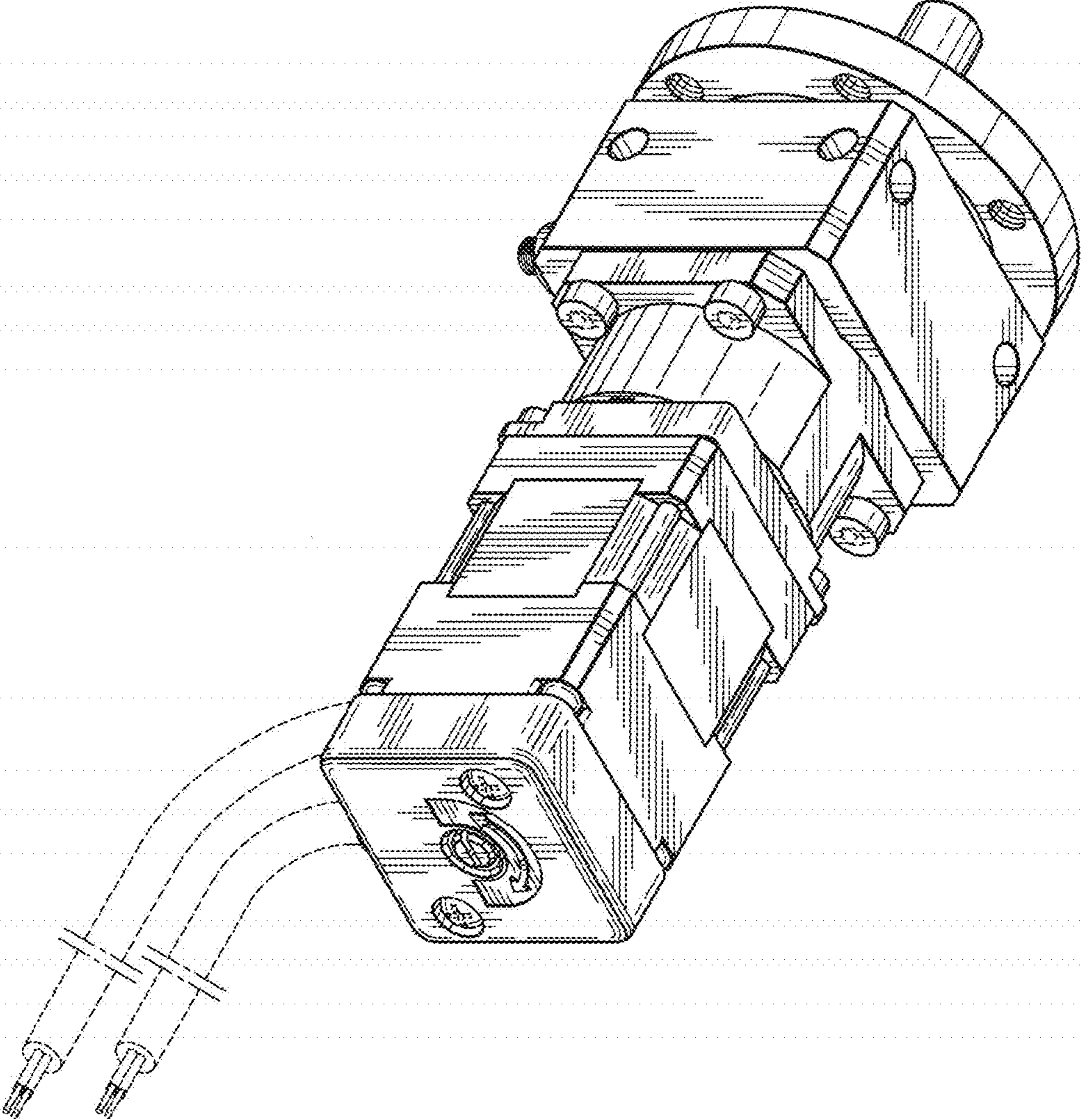


FIG. 2

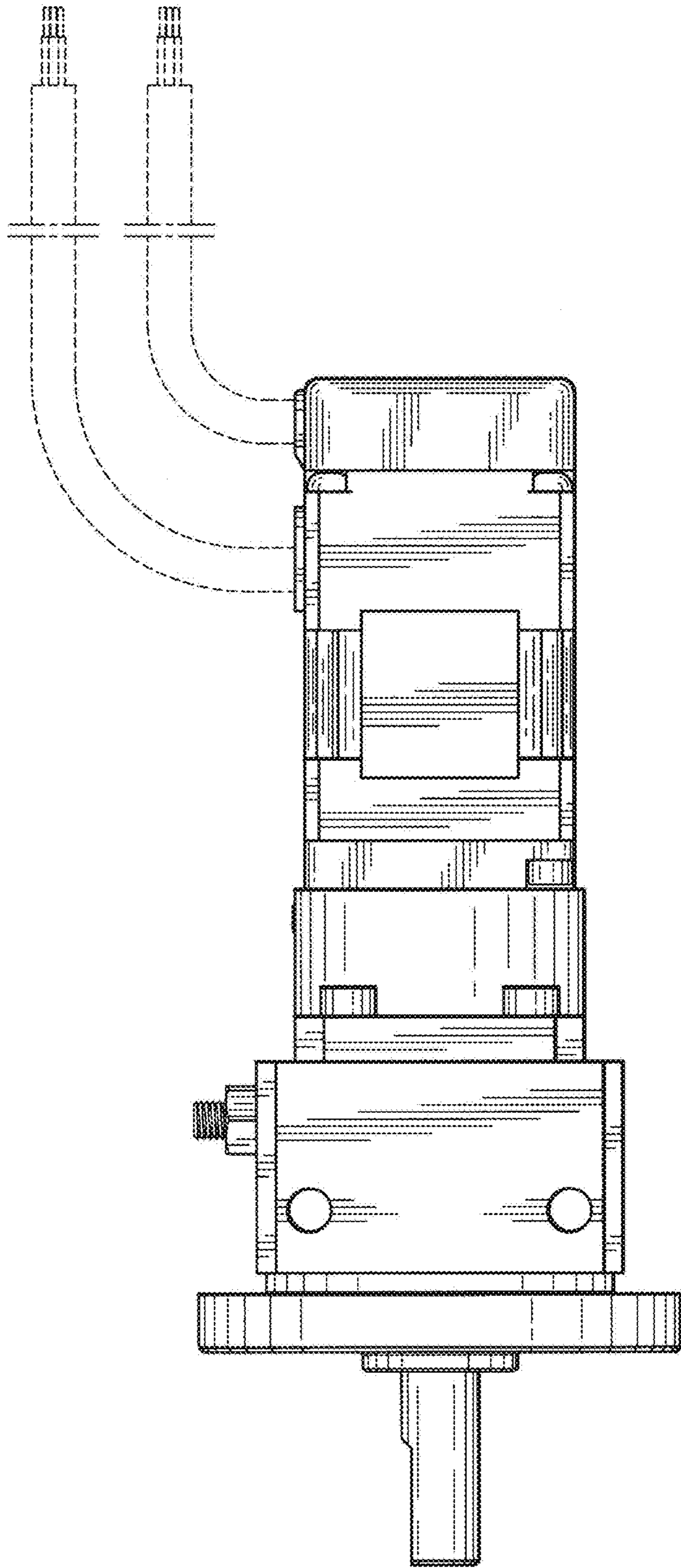


FIG. 3

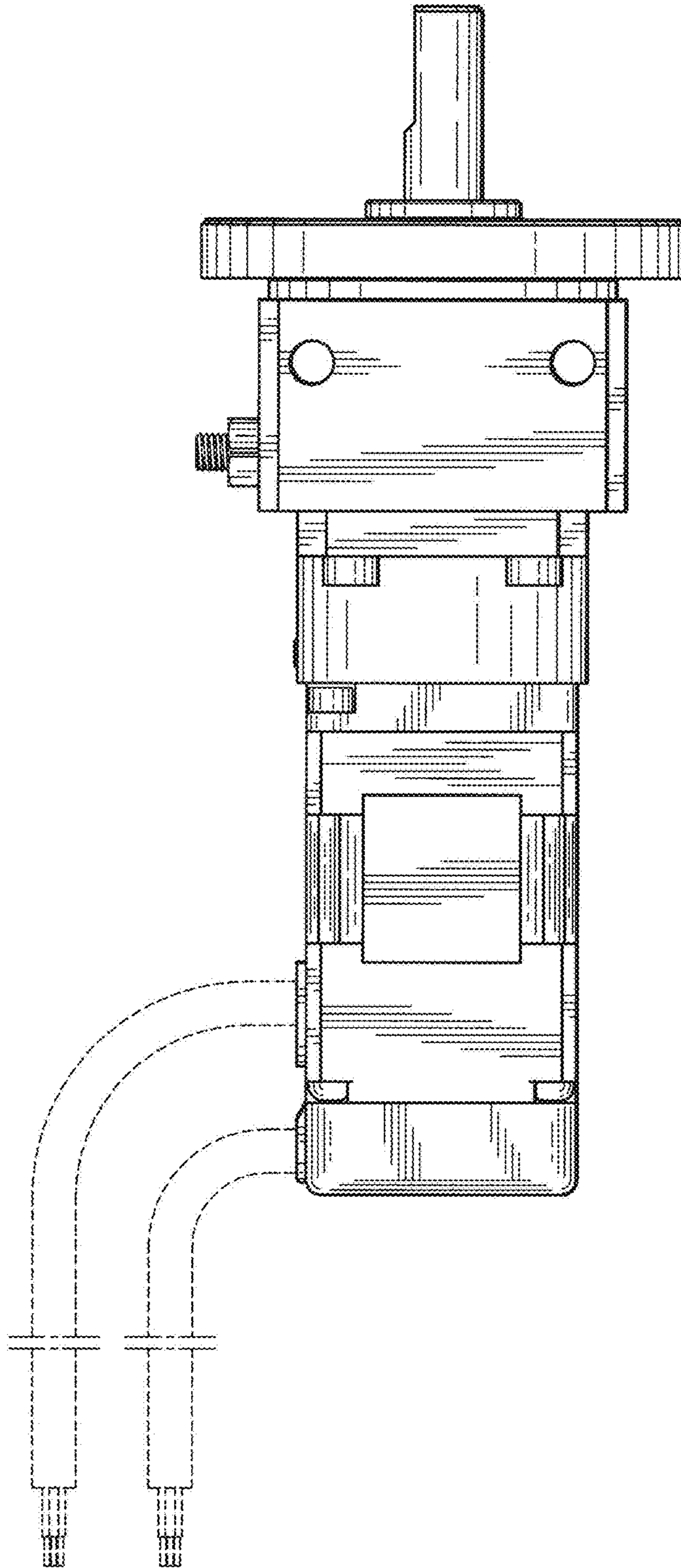


FIG. 4

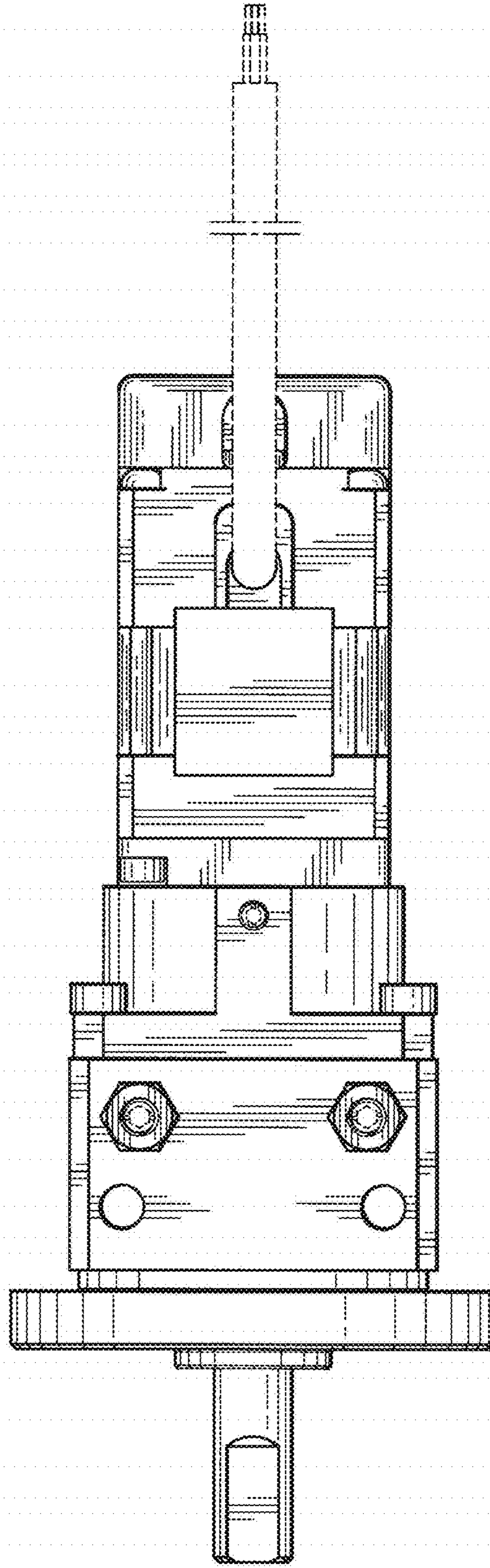


FIG. 5

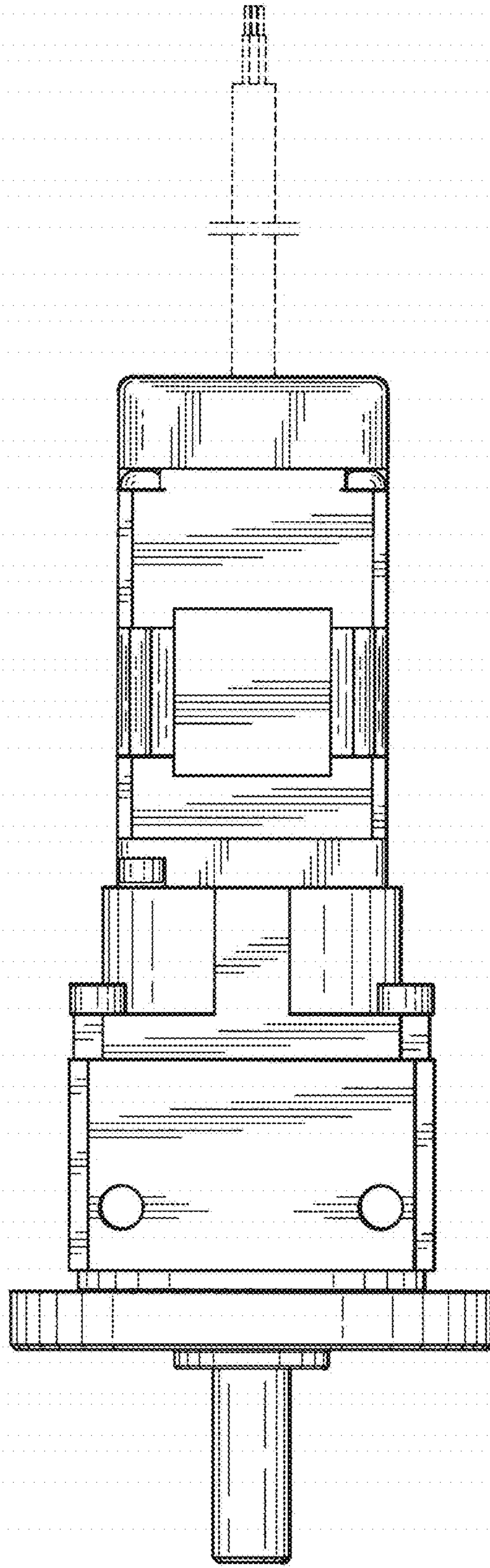


FIG. 6

FIG. 7

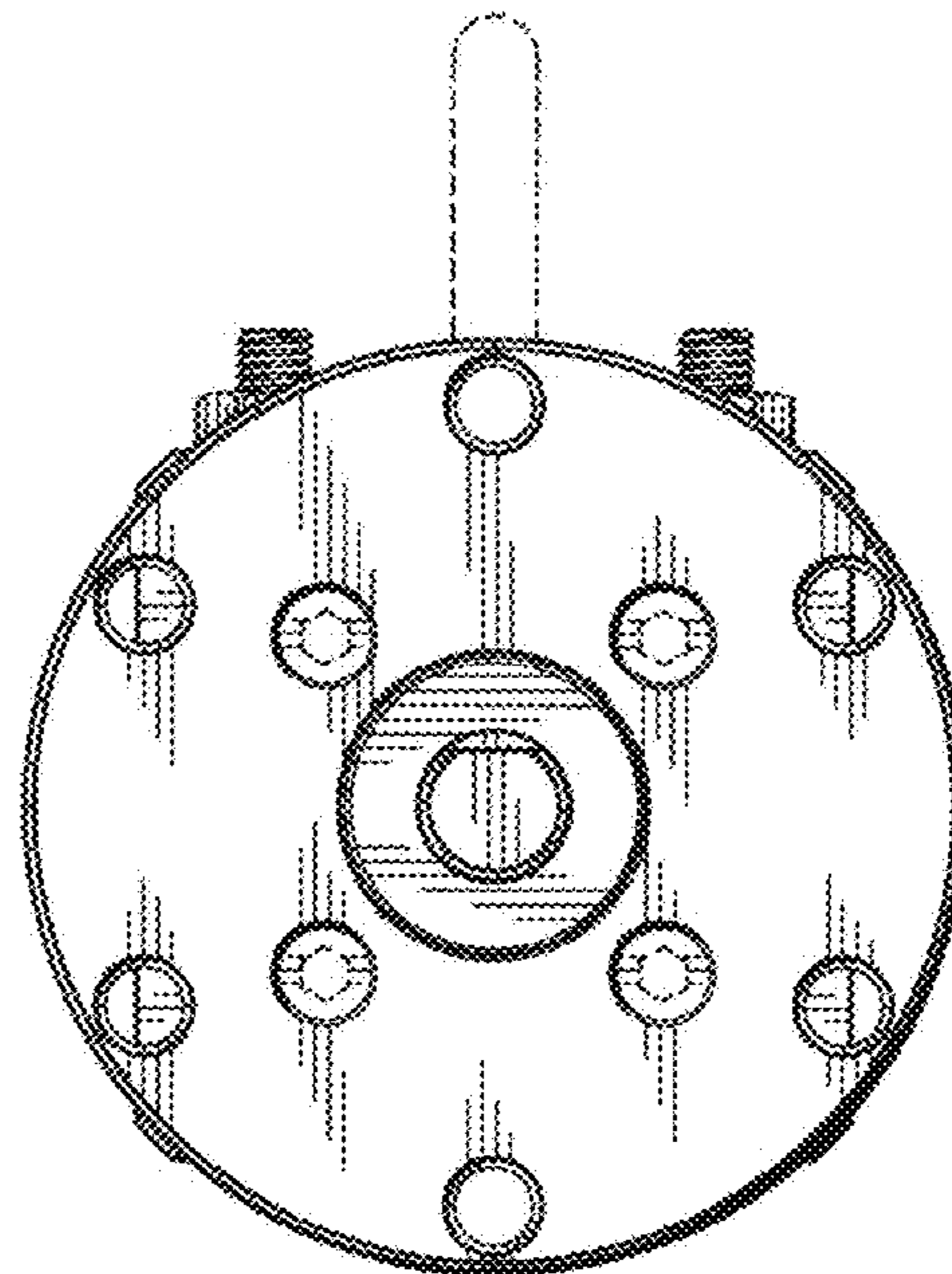


FIG. 8

