

US00D846010S

(12) **United States Design Patent**
Wang

(10) **Patent No.:** **US D846,010 S**

(45) **Date of Patent:** **** Apr. 16, 2019**

(54) **WAX CUP ASSEMBLY**

(71) Applicant: **Dalian Talent Gift Co., Ltd.**, Dalian,
Liaoning (CN)

(72) Inventor: **Lixin Wang**, Liaoning (CN)

(73) Assignee: **DALIAN TALENT GIFT CO., LTD.**,
Dalian, Liaoning (CN)

(**) Term: **15 Years**

(21) Appl. No.: **29/598,203**

(22) Filed: **Mar. 23, 2017**

(51) **LOC (11) Cl.** **15-09**

(52) **U.S. Cl.**
USPC **D15/144.2**

(58) **Field of Classification Search**
USPC D26/6-23; D7/323, 355, 500, 512,
D7/553.8, 554.2, 608, 610;
D15/144-144.2; D23/362, 369, 382, 390
CPC F23D 3/26; F21V 37/00; F21V 3/00
See application file for complete search history.

(56) **References Cited**

U.S. PATENT DOCUMENTS

5,405,262	A *	4/1995	Appel	F23D 3/08 126/43
D399,945	S *	10/1998	Bonomo	D23/369
6,328,935	B1 *	12/2001	Buccellato	A61L 9/03 422/123
D466,755	S *	12/2002	Henry	D7/323
D523,043	S *	6/2006	Conway	D15/144
D525,273	S *	7/2006	Conway	D15/144
D525,821	S *	8/2006	Latzman	D7/355
D592,902	S *	5/2009	Currie	D7/355
D653,074	S *	1/2012	Difante	D7/354
D665,071	S *	8/2012	Goel	D15/144

D667,256	S *	9/2012	Krapfl	D7/354
8,901,461	B1 *	12/2014	Shotey	A61F 7/0085 219/249
D735,255	S *	7/2015	Sickinger	D15/144.2
D751,683	S *	3/2016	Furner	D23/368
2005/0260105	A1 *	11/2005	Xu	A61L 9/03 422/126
2006/0283883	A1 *	12/2006	Mika	B67D 3/0009 222/129
2018/0064839	A1 *	3/2018	Hsiao	A61L 9/03
2018/0070698	A1 *	3/2018	Bartlett	A45D 26/0014
2018/0228930	A1 *	8/2018	Davis	A61L 9/03

* cited by examiner

Primary Examiner — Ian Simmons

Assistant Examiner — Keith Frank

(74) *Attorney, Agent, or Firm* — Novick, Kim & Lee,
PLLC; Allen Xue

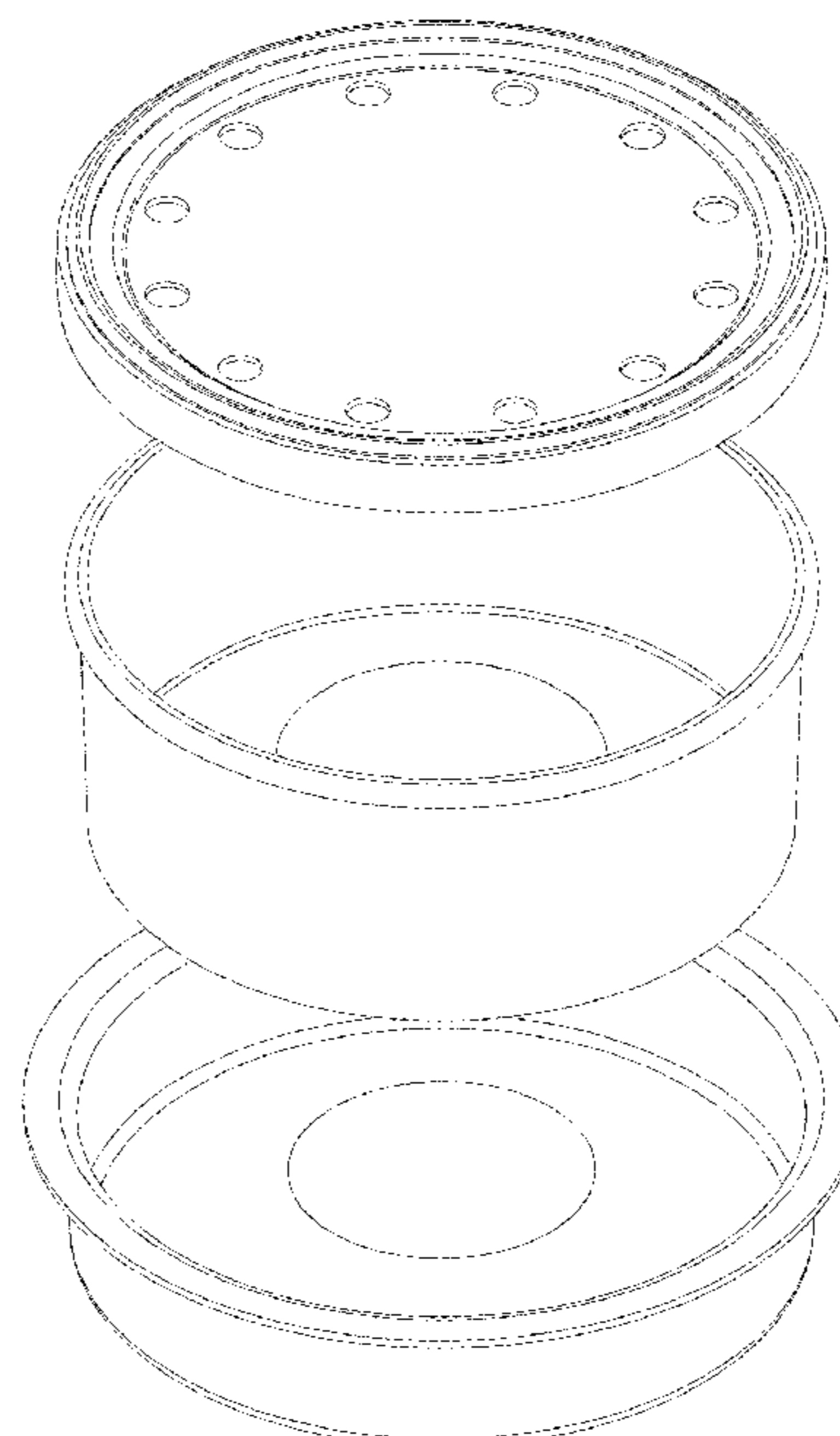
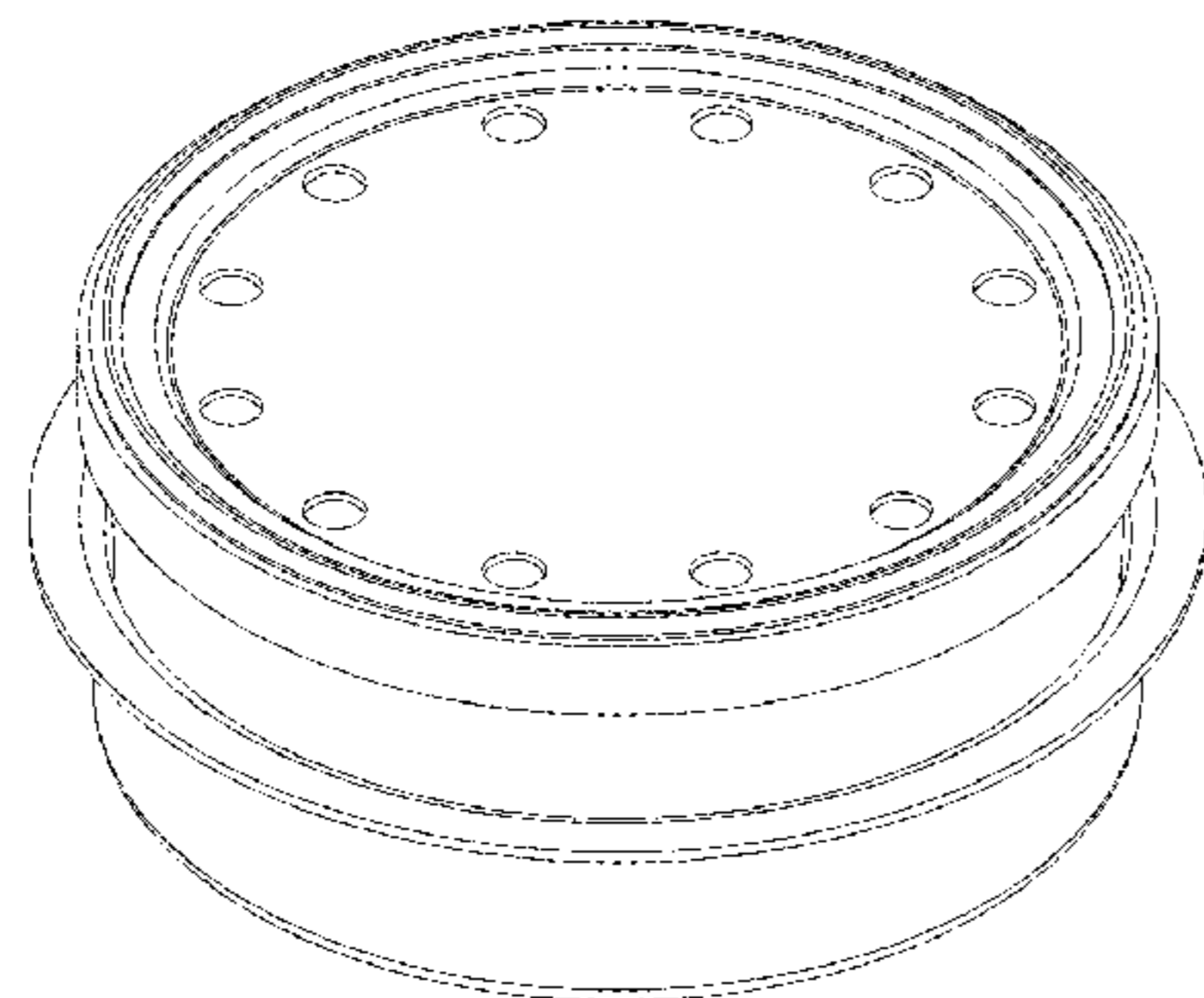
(57) **CLAIM**

I claim the ornamental design for a wax cup assembly, as shown and described.

DESCRIPTION

FIG. 1 is a top perspective view of a wax cup assembly according to my new design;
 FIG. 2 is a front elevational view thereof, which is substantially the same as the rear elevational view thereof;
 FIG. 3 is a right side elevational view thereof, which is substantially the same as the left side elevational view thereof;
 FIG. 4 is a top plan view thereof;
 FIG. 5 is a bottom plan view thereof;
 FIG. 6 is a bottom perspective view thereof;
 FIG. 7 is an exploded view thereof; and,
 FIG. 8 is a sectional view taken along line 8-8 in FIG. 3.

1 Claim, 8 Drawing Sheets



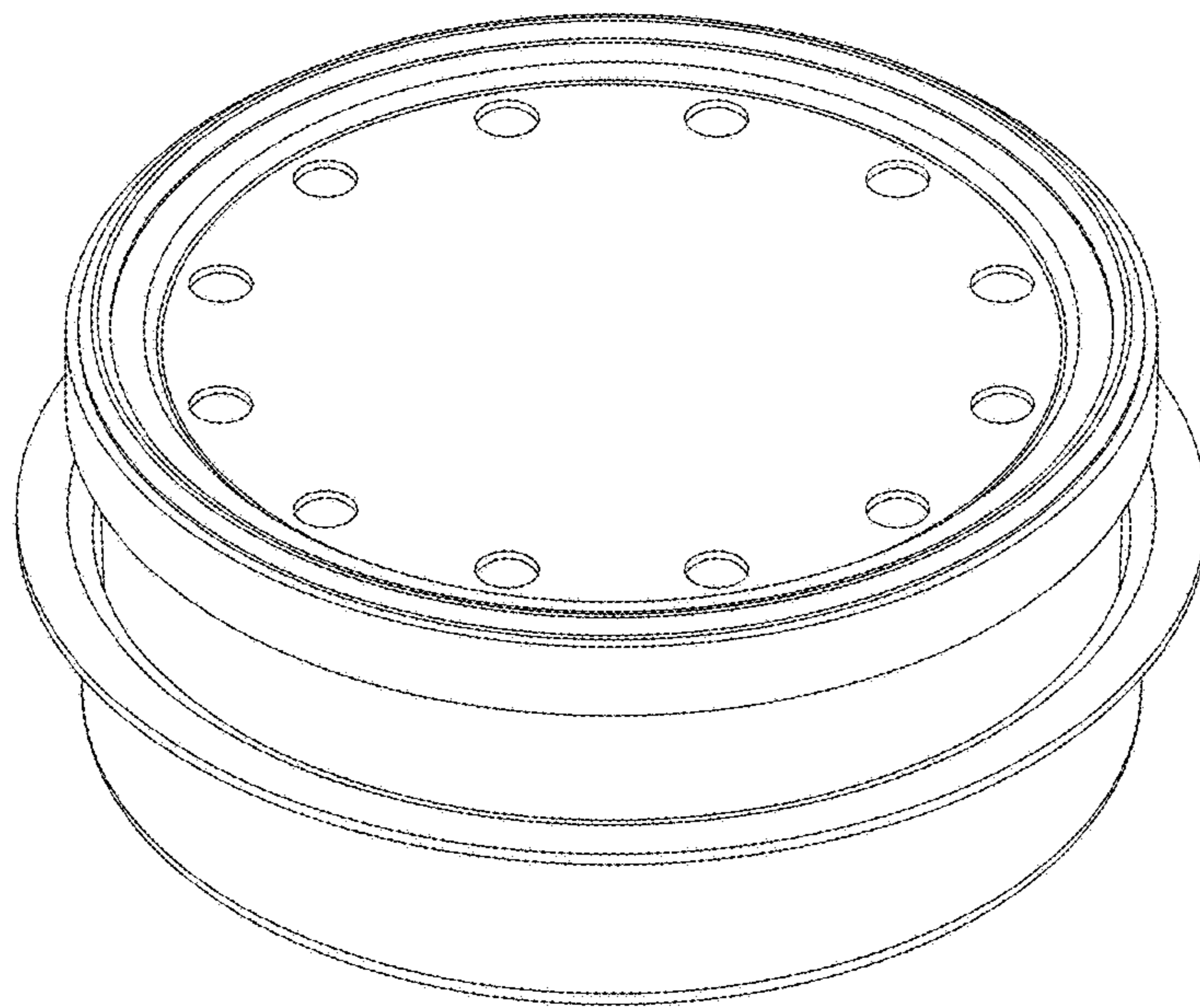


FIG. 1

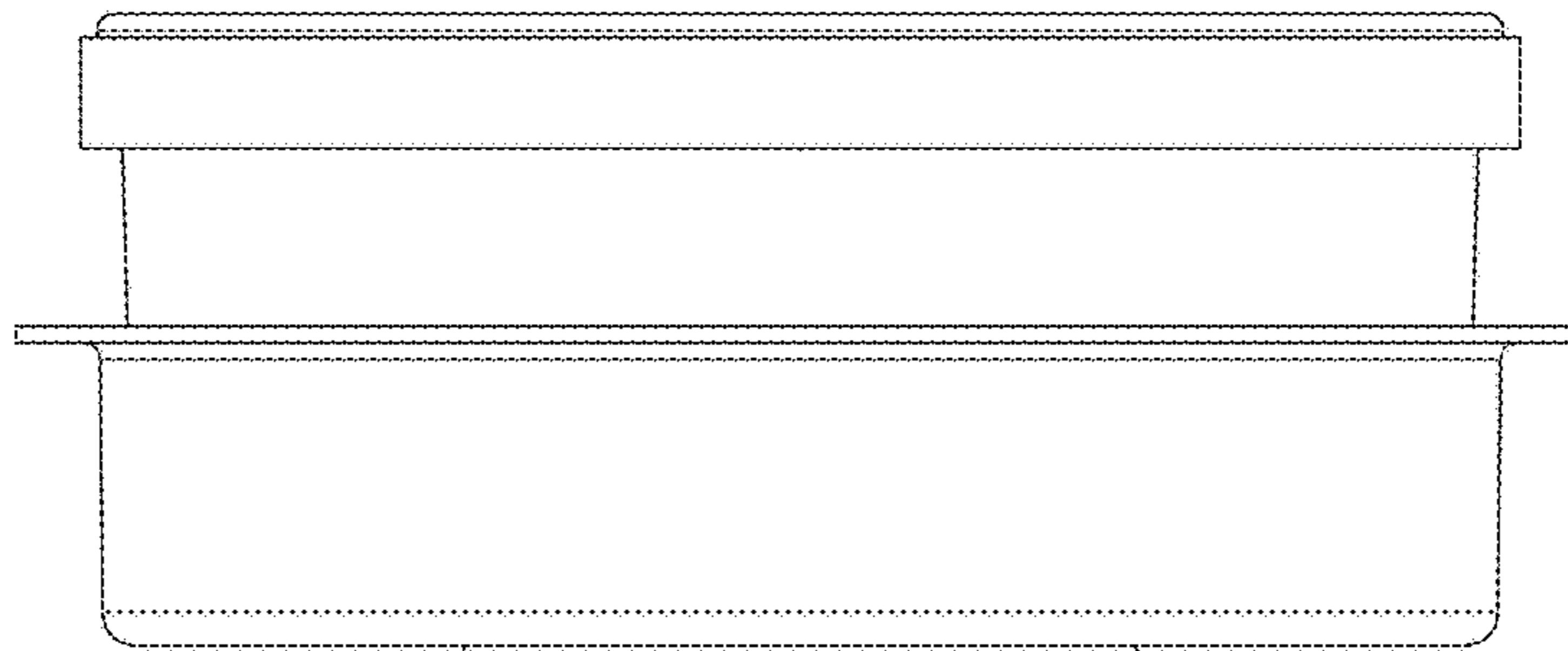


FIG.2

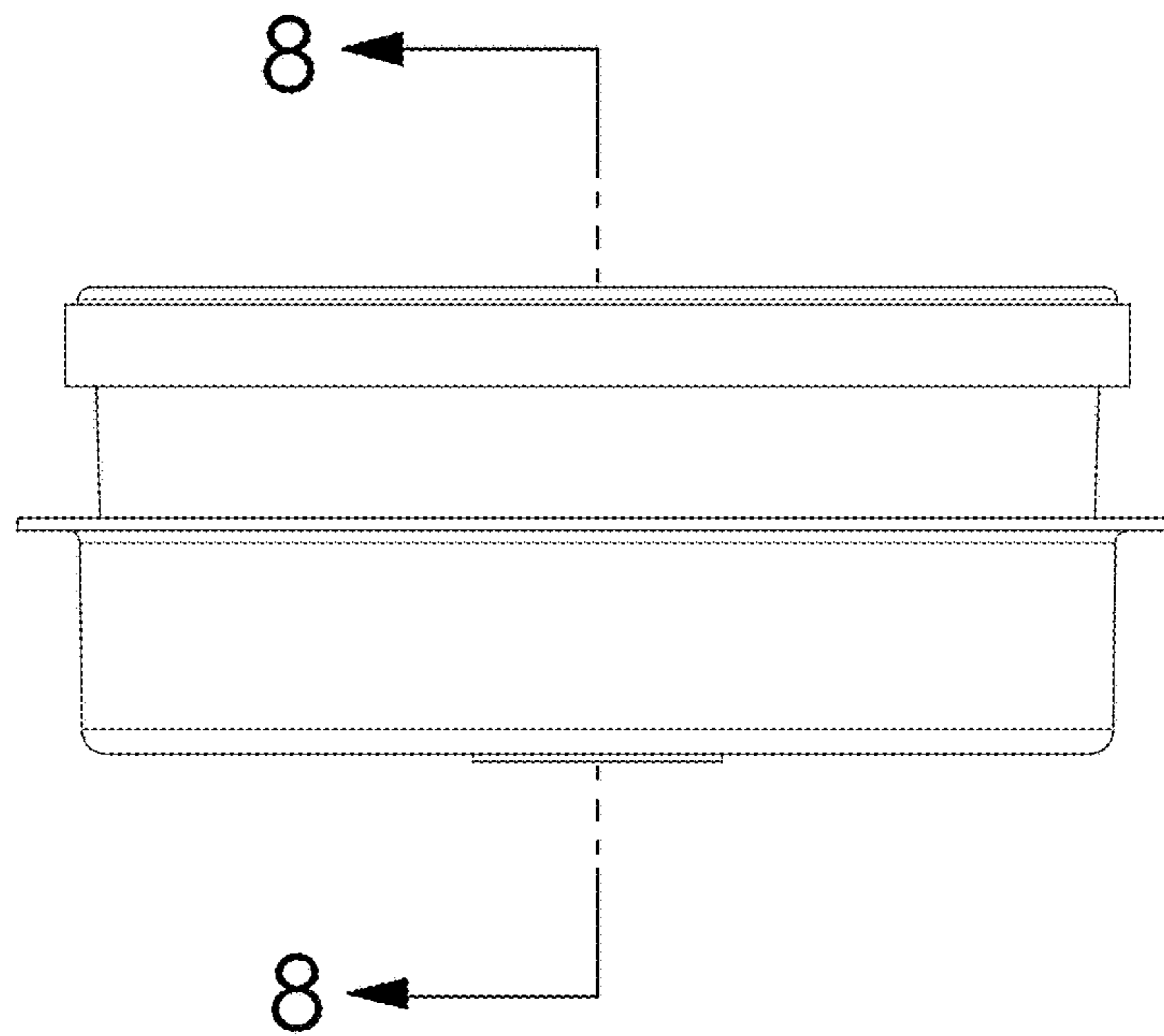


FIG.3

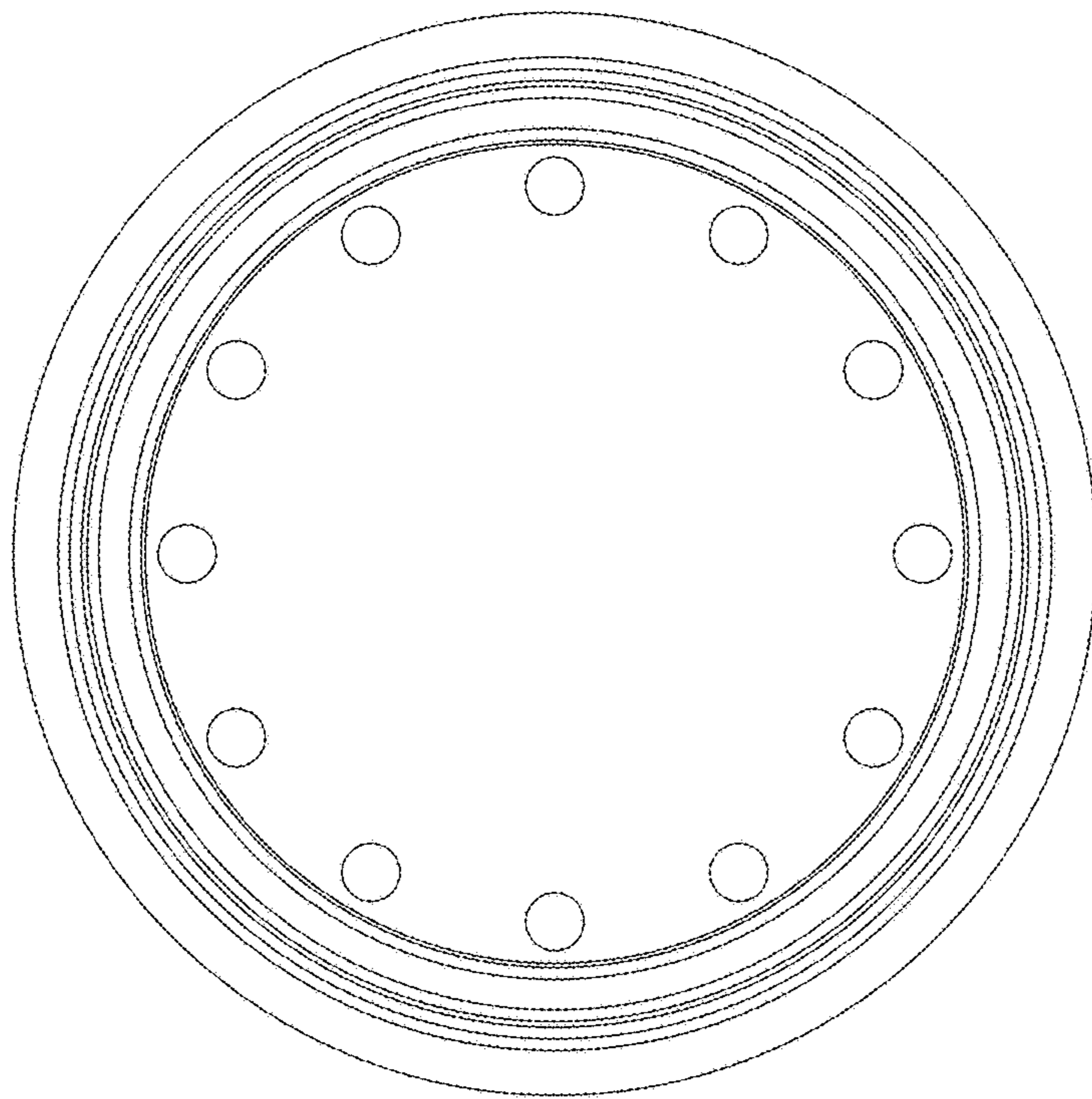


FIG.4

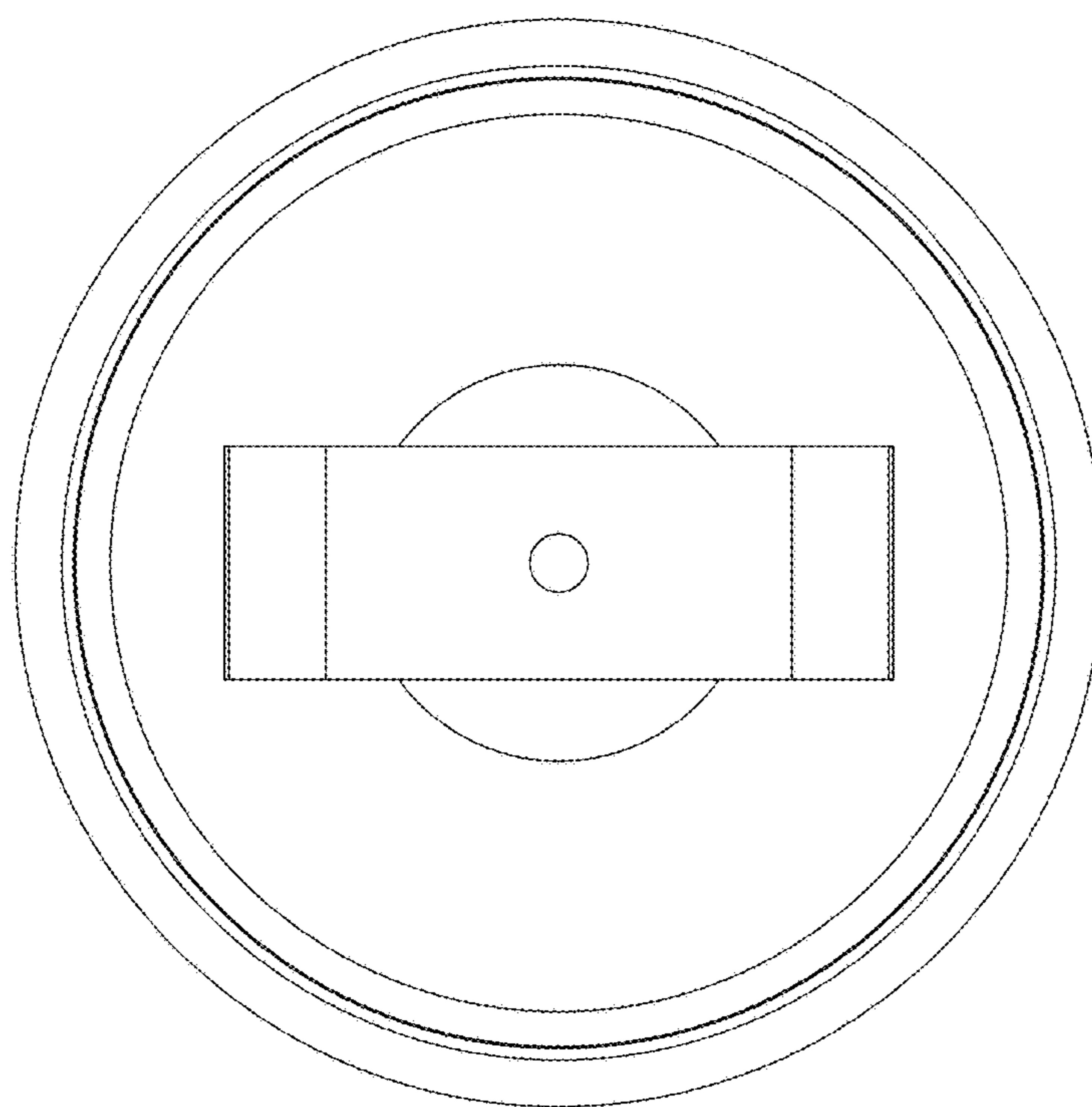


FIG.5

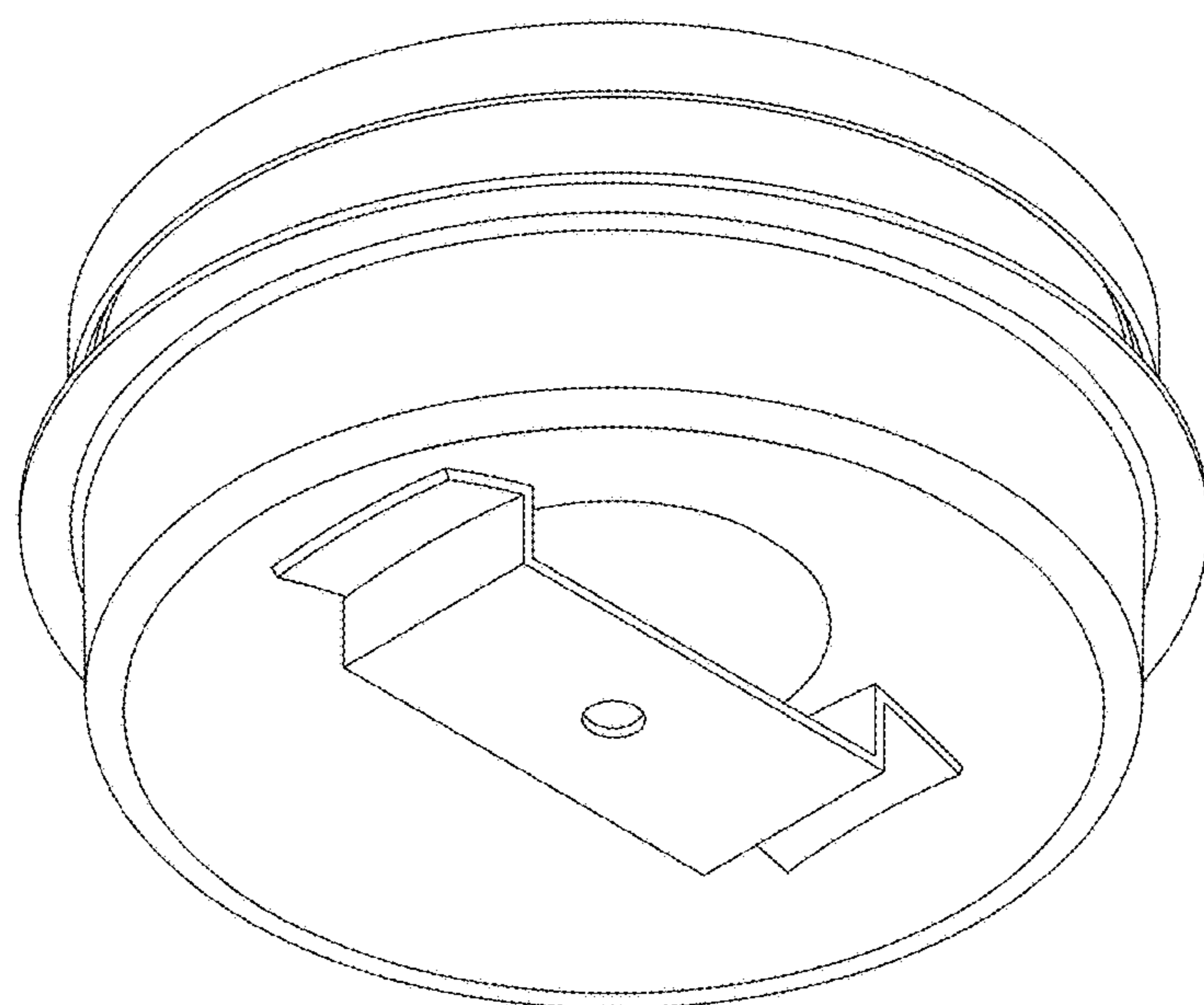


FIG.6

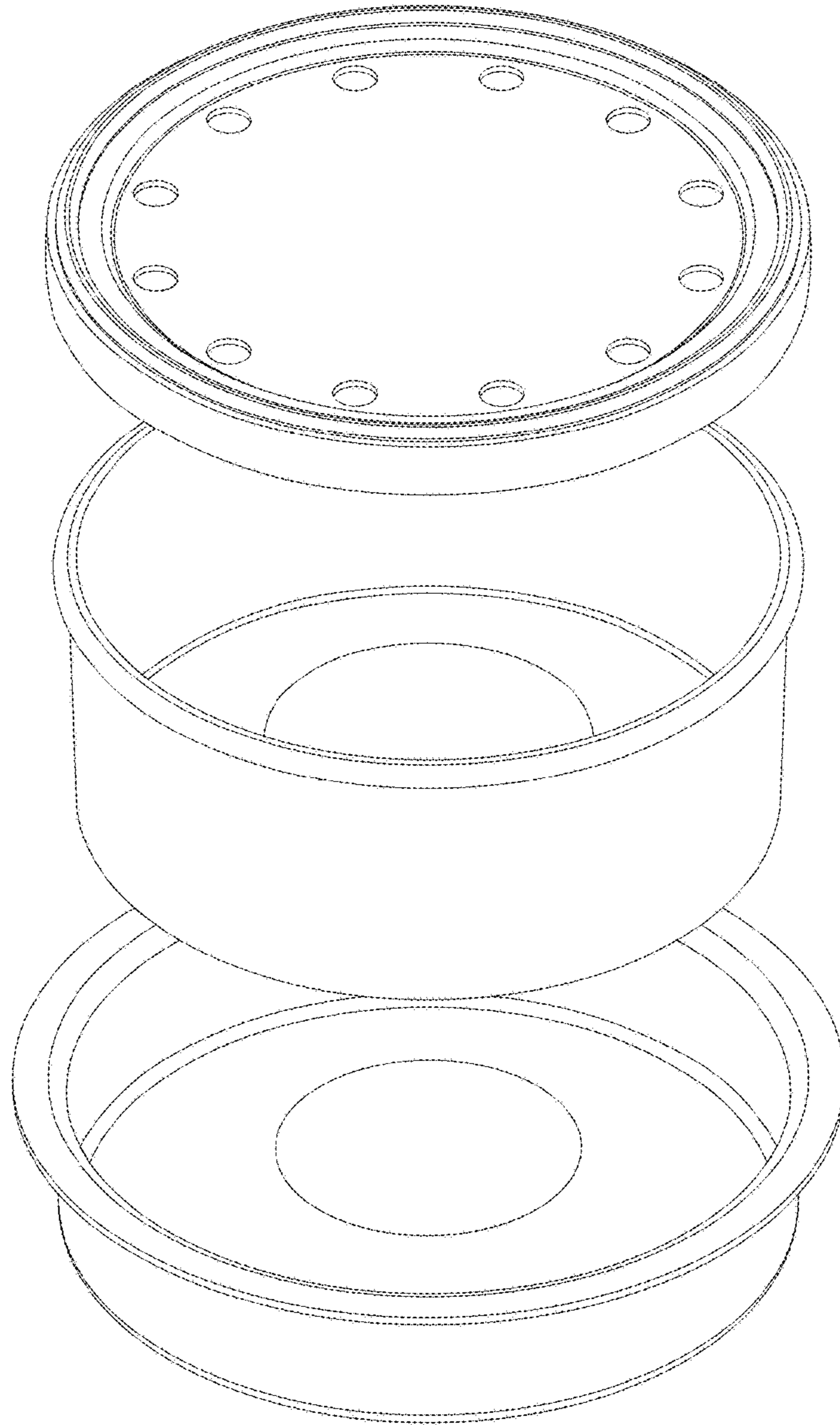


FIG.7

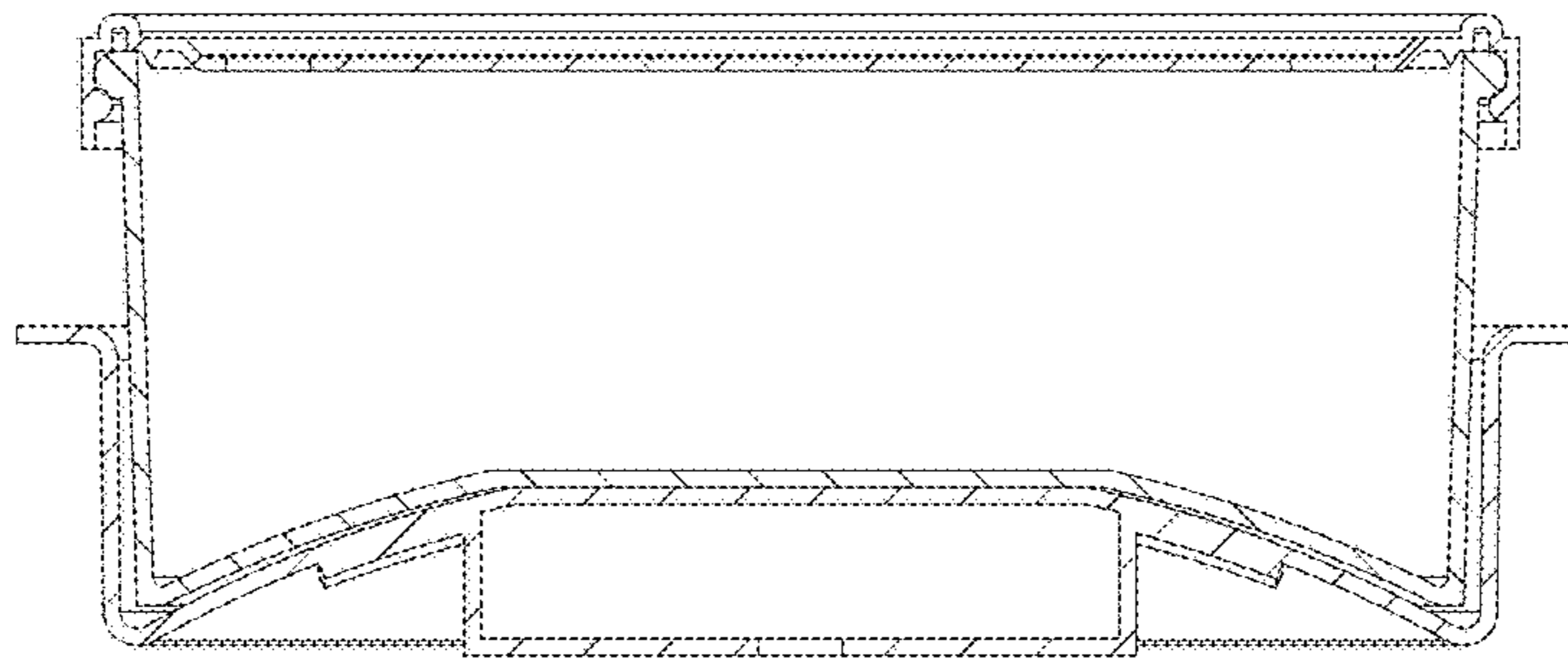


FIG.8