

US00D846009S

(12) **United States Design Patent** (10) **Patent No.:** **US D846,009 S**  
**Takemura et al.** (45) **Date of Patent:** **\*\* Apr. 16, 2019**

(54) **TIP COMPONENT FOR A WELDING TORCH**

(71) Applicant: **Kabushiki Kaisha Kobe Seiko Sho**  
**(Kobe Steel, Ltd.), Kobe (JP)**

(72) Inventors: **Yoshiya Takemura, Fujisawa (JP);**  
**Shigeto Takada, Fujisawa (JP)**

(73) Assignee: **Kobe Steel, Ltd., Kobe (JP)**

(\*\*) Term: **15 Years**

(21) Appl. No.: **29/568,436**

(22) Filed: **Jun. 17, 2016**

(30) **Foreign Application Priority Data**

Dec. 21, 2015 (JP) ..... 2015-028423

(51) **LOC (11) Cl.** ..... **15-09**

(52) **U.S. Cl.**  
USPC ..... **D15/144**

(58) **Field of Classification Search**  
USPC ..... D15/144, 144.1, 144.2; D8/30; D23/213  
CPC . B23K 10/00; H01L 2224/85043; H05H 1/34  
See application file for complete search history.

(56) **References Cited**

**U.S. PATENT DOCUMENTS**

- 3,613,766 A \* 10/1971 Holzl ..... B23K 20/007  
164/46  
D231,834 S \* 6/1974 Gulrich ..... D15/144  
D269,519 S \* 6/1983 Braun ..... D15/138  
D269,521 S \* 6/1983 Braun ..... D15/138  
5,258,599 A \* 11/1993 Moerke ..... B23K 9/295  
219/121.45  
D362,860 S \* 10/1995 Carkhuff ..... D15/144  
D371,426 S \* 7/1996 Darin ..... D23/213  
5,965,040 A \* 10/1999 Luo ..... B23K 10/00  
219/121.5

- D417,459 S \* 12/1999 Shintani ..... D15/144  
D511,280 S \* 11/2005 Horner-Richardson ..... D8/30  
D632,713 S \* 2/2011 Leonhartsberger ..... D15/144  
D736,285 S \* 8/2015 Hassan ..... D15/144  
D747,377 S \* 1/2016 Hassan ..... D15/144  
D777,812 S \* 1/2017 Namburu ..... D15/144

(Continued)

**FOREIGN PATENT DOCUMENTS**

JP 2014-233723 12/2014

**OTHER PUBLICATIONS**

“Cutting Tip size 4.” Found online Nov. 5, 2018 at www.amazon.com. Page dated Mar. 10, 2012. Retrieved from URL: https://www.amazon.com/WeldingCity-Acetylene-Cutting-3-101-Victor/dp/B00V7UWALO?th=1 (Year: 2012).\*

(Continued)

*Primary Examiner* — Garth Rademaker  
*Assistant Examiner* — Katelin G Kloberg  
(74) *Attorney, Agent, or Firm* — Oblon, McClelland,  
Maier & Neustadt, L.L.P.

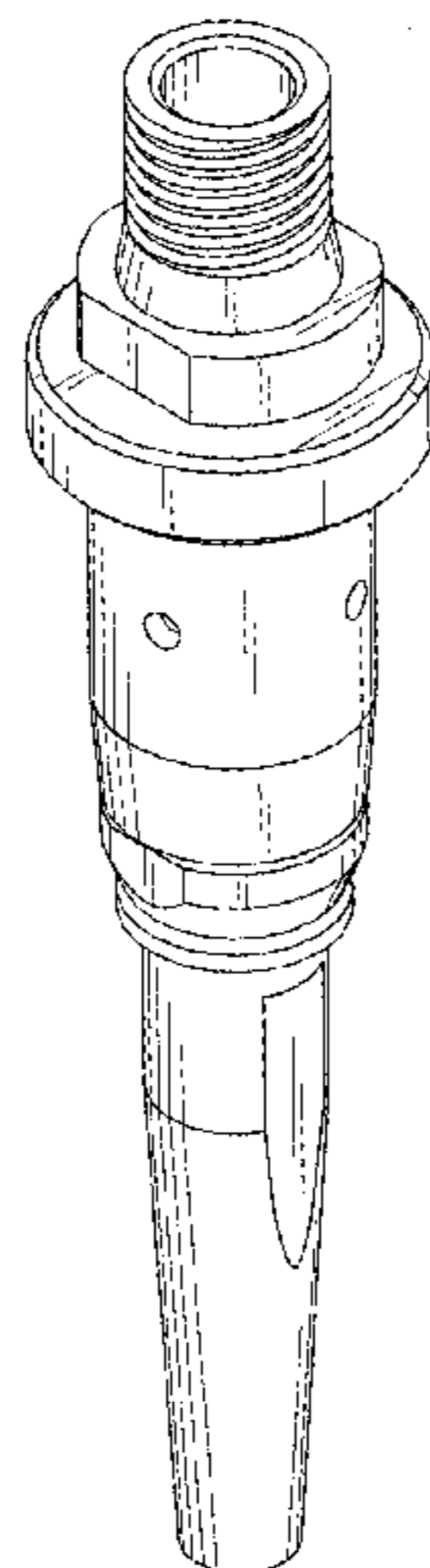
(57) **CLAIM**

The ornamental design for a tip component for a welding torch, as shown and described.

**DESCRIPTION**

FIG. 1 is a perspective view of a tip component for a welding torch;  
FIG. 2 is a front view thereof;  
FIG. 3 is a rear view thereof;  
FIG. 4 is a left side view thereof;  
FIG. 5 is a right side view thereof;  
FIG. 6 is a top view thereof;  
FIG. 7 is a bottom view thereof; and,  
FIG. 8 is a cross-sectional view taken along line 8-8 in FIG. 2 thereof.

**1 Claim, 5 Drawing Sheets**



(56)

**References Cited**

U.S. PATENT DOCUMENTS

D809,579 S \* 2/2018 Buss ..... D15/144  
D813,628 S \* 3/2018 Tsai ..... D8/30  
2018/0221982 A1\* 8/2018 Miyata ..... B23K 9/173

OTHER PUBLICATIONS

“Lot of 3 Smith Style Acetylene Torch Cutting Tips.” Found online Nov. 5, 2018 at [www.amazon.com](http://www.amazon.com). Page dated Feb. 22, 2017. Retrieved from URL: [https://www.amazon.com/Acetylene-Cutting-SC12-0-5C12-1-5C12-2/dp/B078NHT5WP/ref=sr\\_1\\_30?ie=UTF8&qid=1541453234&sr=8-30&keywords=welding+torch+tip](https://www.amazon.com/Acetylene-Cutting-SC12-0-5C12-1-5C12-2/dp/B078NHT5WP/ref=sr_1_30?ie=UTF8&qid=1541453234&sr=8-30&keywords=welding+torch+tip) (Year: 2017).\*

\* cited by examiner

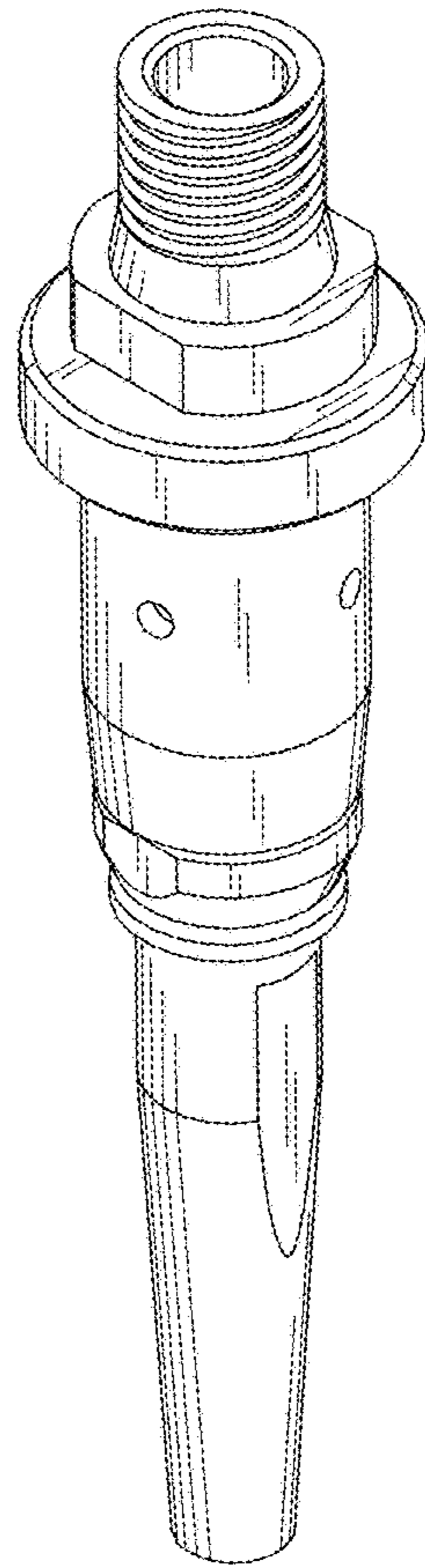


FIG.1

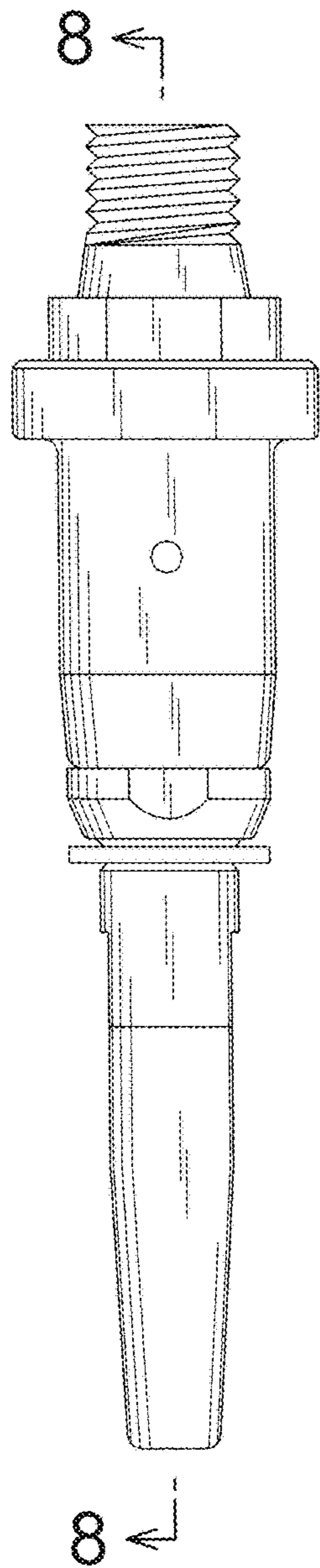


FIG.2

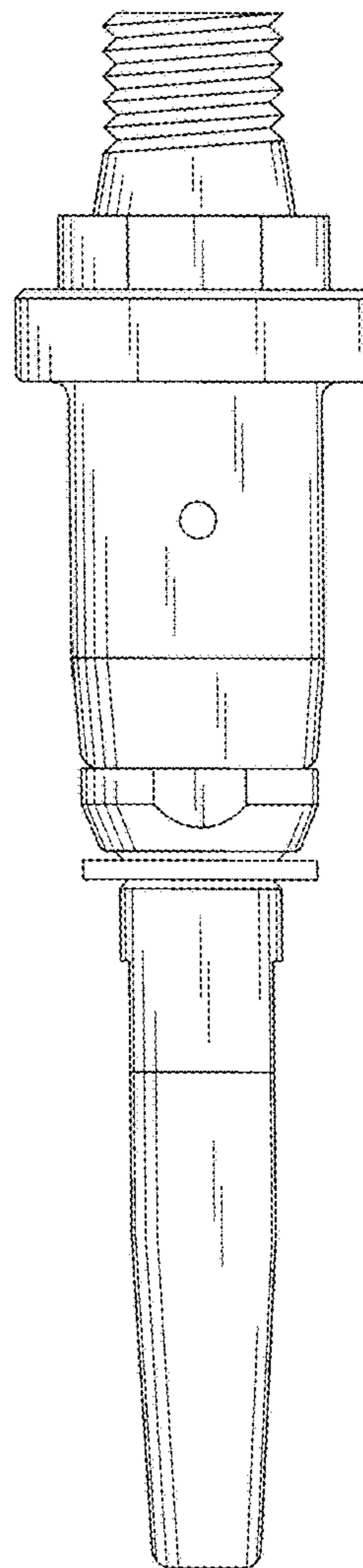


FIG.3

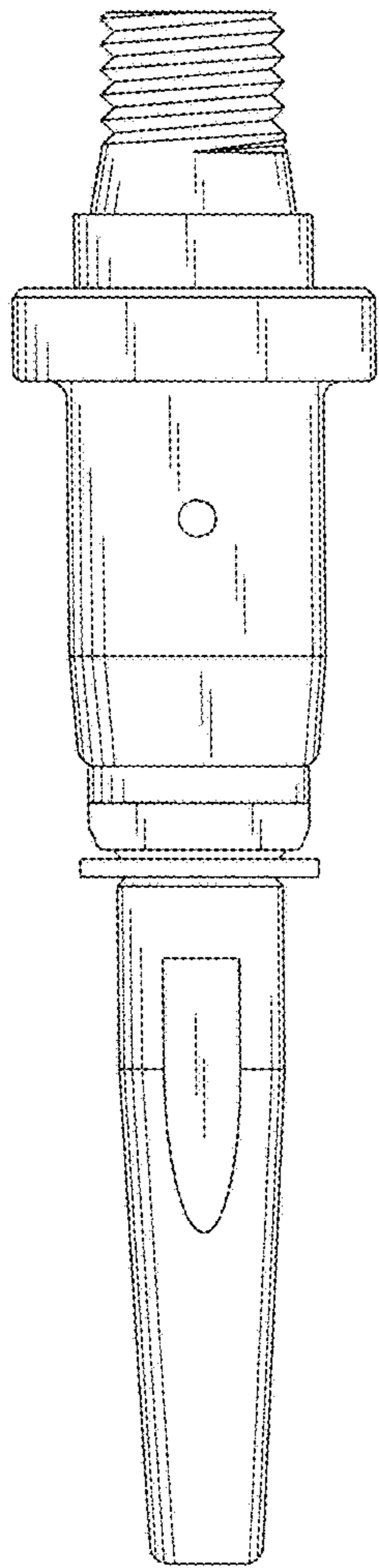


FIG. 4

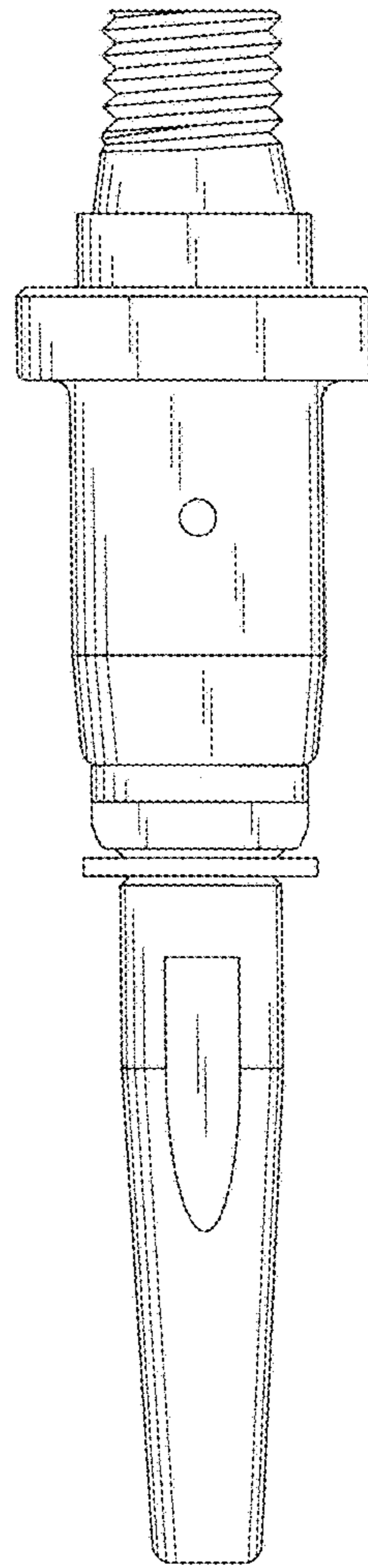


FIG. 5

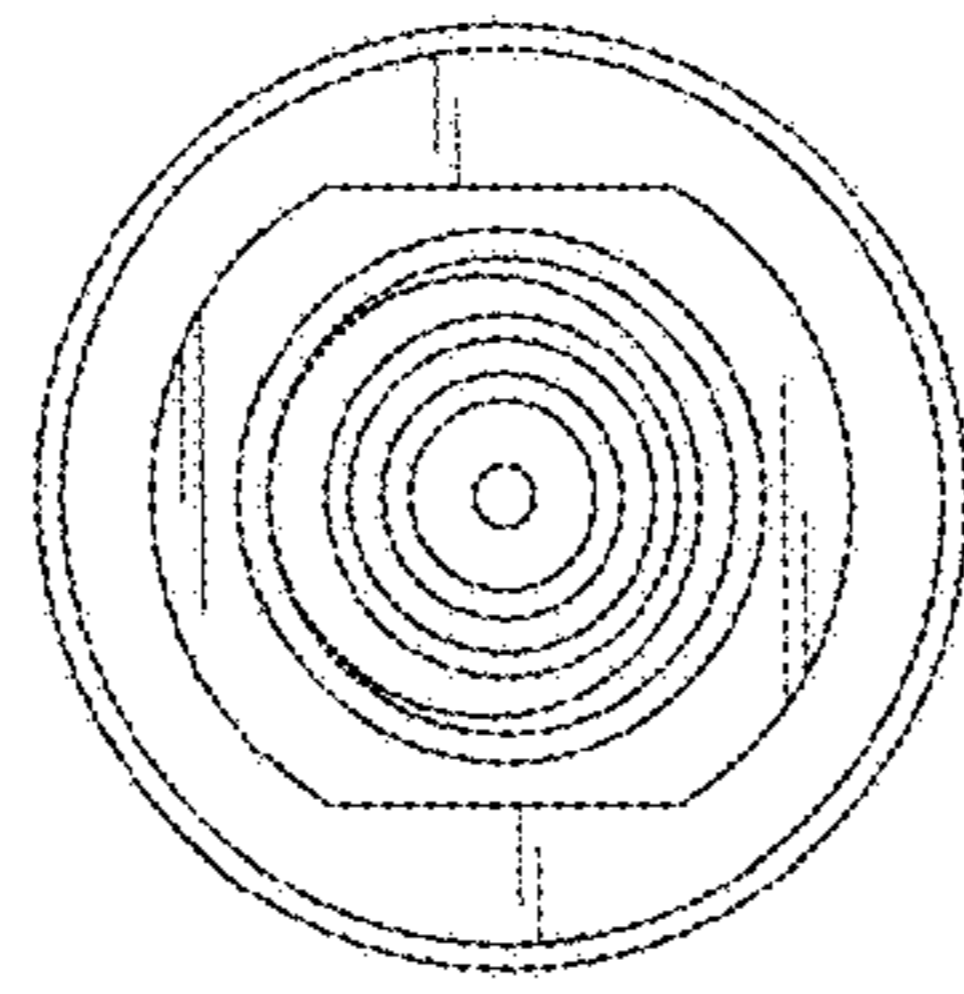


FIG. 6

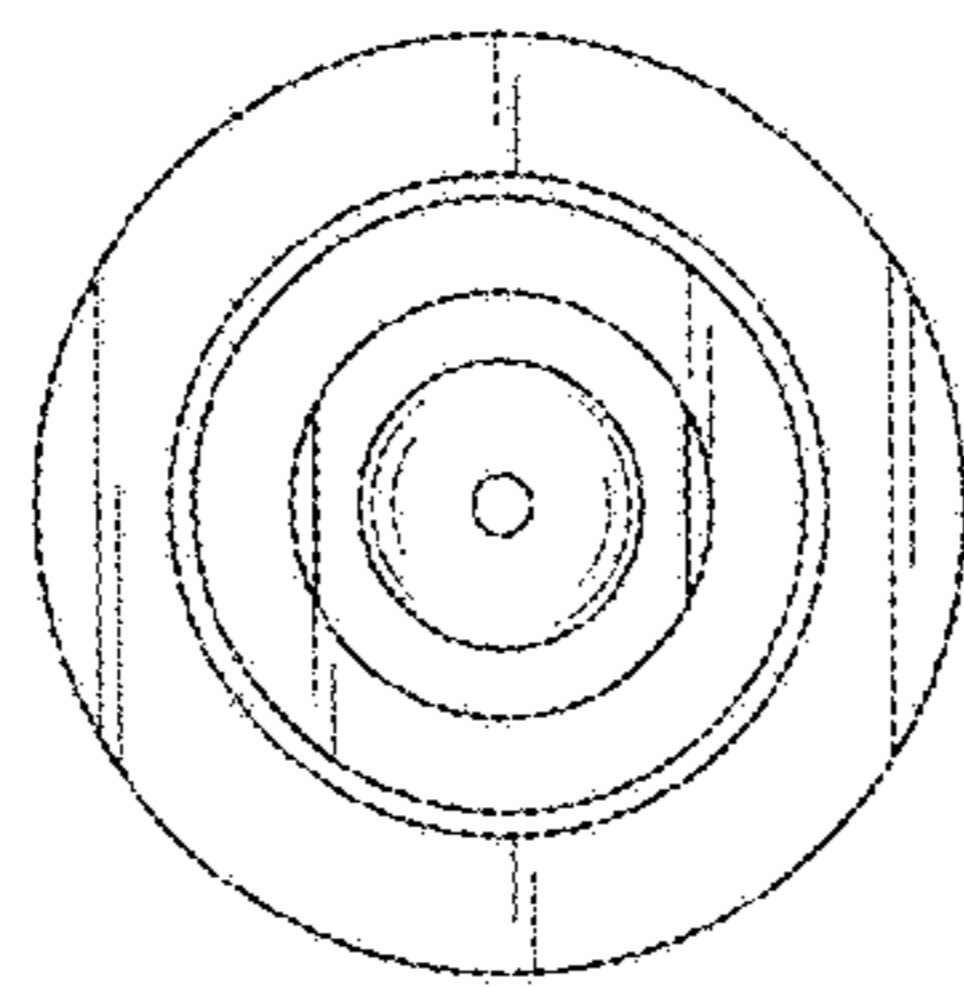


FIG. 7



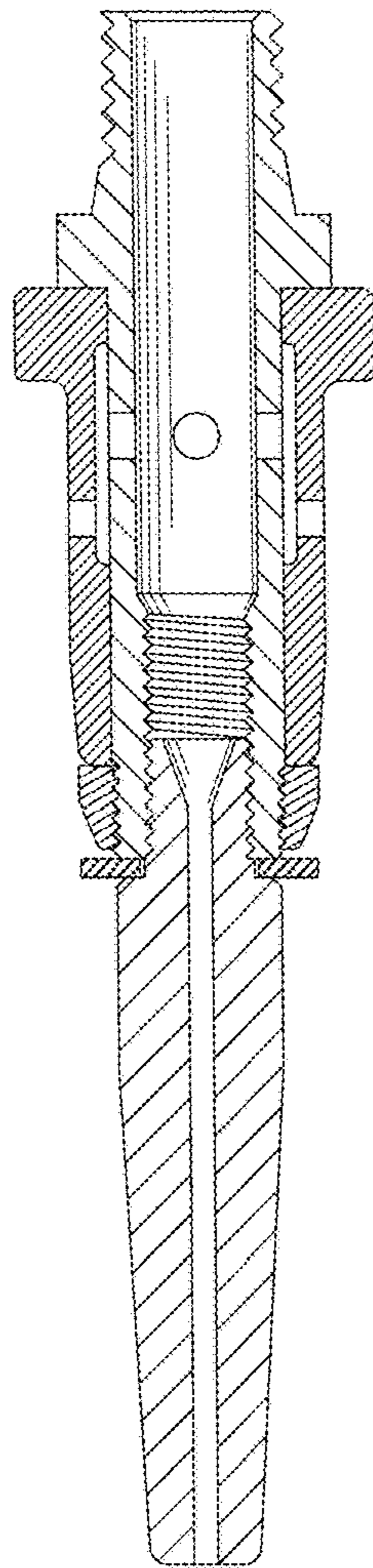


FIG.8

UNITED STATES PATENT AND TRADEMARK OFFICE  
**CERTIFICATE OF CORRECTION**

PATENT NO. : D846,009 S  
APPLICATION NO. : 29/568436  
DATED : April 16, 2019  
INVENTOR(S) : Yoshiya Takemura et al.

Page 1 of 1

It is certified that error appears in the above-identified patent and that said Letters Patent is hereby corrected as shown below:

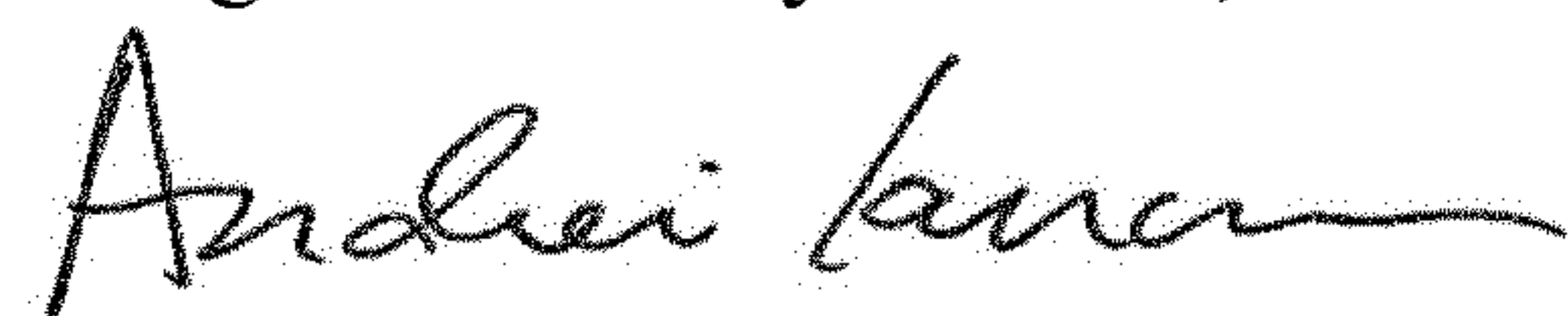
On the Title Page

Items (71) and (73), the Applicant's and Assignee's information is incorrect. Items (71) and (73) should read:

--(71) Applicant: **Kabushiki Kaisha Kobe Seiko Sho (Kobe Steel, Ltd.)**, Kobe-shi (JP)--

--(73) Assignee: **Kabushiki Kaisha Kobe Seiko Sho (Kobe Steel, Ltd.)**, Kobe-shi (JP)--

Signed and Sealed this  
Eighteenth Day of June, 2019



Andrei Iancu  
*Director of the United States Patent and Trademark Office*